



US00D427007S

United States Patent [19] Smitch

[11] Patent Number: **Des. 427,007**

[45] Date of Patent: **** Jun. 27, 2000**

[54] **COMBINED OUTDOOR COOKING GRILL AND GRIDDLE**

[76] Inventor: **Dennis Smitch**, 24652 Embajores La., Mission Viejo, Calif. 92691

[**] Term: **14 Years**

[21] Appl. No.: **29/103,684**

[22] Filed: **Apr. 19, 1999**

[51] **LOC (7) Cl.** **07-02**

[52] **U.S. Cl.** **D7/336**

[58] **Field of Search** D7/332-337, 402-404, D7/409; 126/25 R, 25 A, 25 AA, 29-30, 9 R, 9 B, 39 R, 41 R, 38; 99/421 R

[56] **References Cited**

U.S. PATENT DOCUMENTS

D. 279,644	7/1985	Sshoonmaker	D7/336
D. 327,602	7/1992	Walker	D7/335
D. 334,207	3/1993	Bauman	D7/336
D. 364,535	11/1995	Moore	D7/409
D. 369,939	5/1996	Gibbs	D7/335
D. 396,379	7/1998	Stoetzl	D7/335
2,977,953	4/1961	Dowdy	126/29
3,053,245	9/1962	Beller	126/25 R

3,191,592	6/1965	Lorbacher	126/25 R
3,490,359	1/1970	Seitz	126/25 R
4,607,608	8/1986	Allred	126/30
4,724,753	2/1988	Neyman	99/339
4,930,491	6/1990	Purello	126/332
5,287,844	2/1994	Fieber	126/30
5,839,361	11/1998	Richter	99/422

Primary Examiner—Ruth McInroy
Attorney, Agent, or Firm—Goldstein & Canino

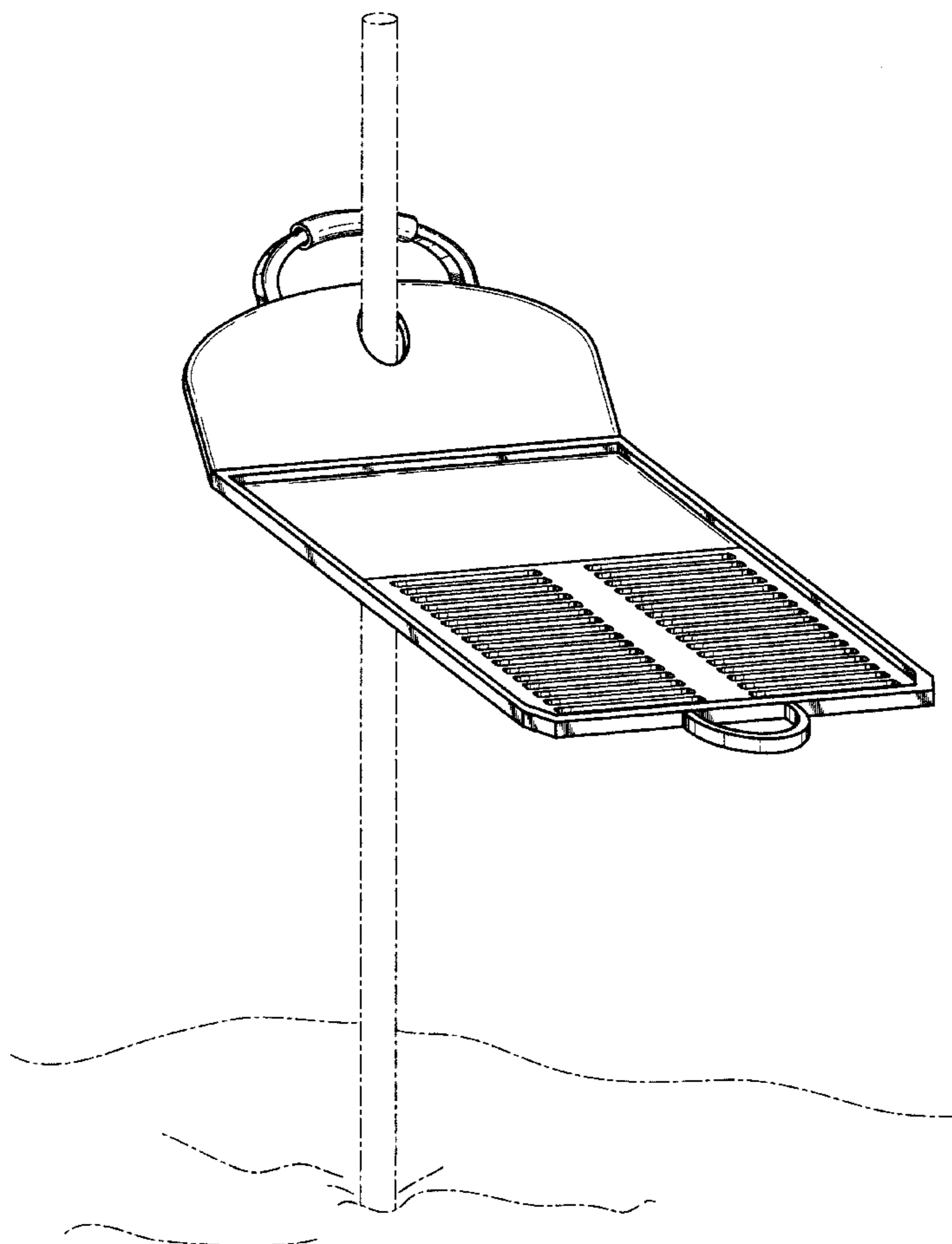
[57] **CLAIM**

The ornamental design for a combined outdoor cooking grill and griddle, as shown and described.

DESCRIPTION

FIG. 1 is a perspective view of a combined outdoor cooking grill and griddle showing my new design, the portions shown in broken lines are for illustrative purposes only and form no part of the claimed design;
FIG. 2 is a front elevational view thereof;
FIG. 3 is a rear elevational view thereof;
FIG. 4 is a top plan view thereof;
FIG. 5 is a bottom plan view thereof; and,
FIG. 6 is a right side elevational view thereof, the left side elevational view being a mirror image of the right side view.

1 Claim, 3 Drawing Sheets



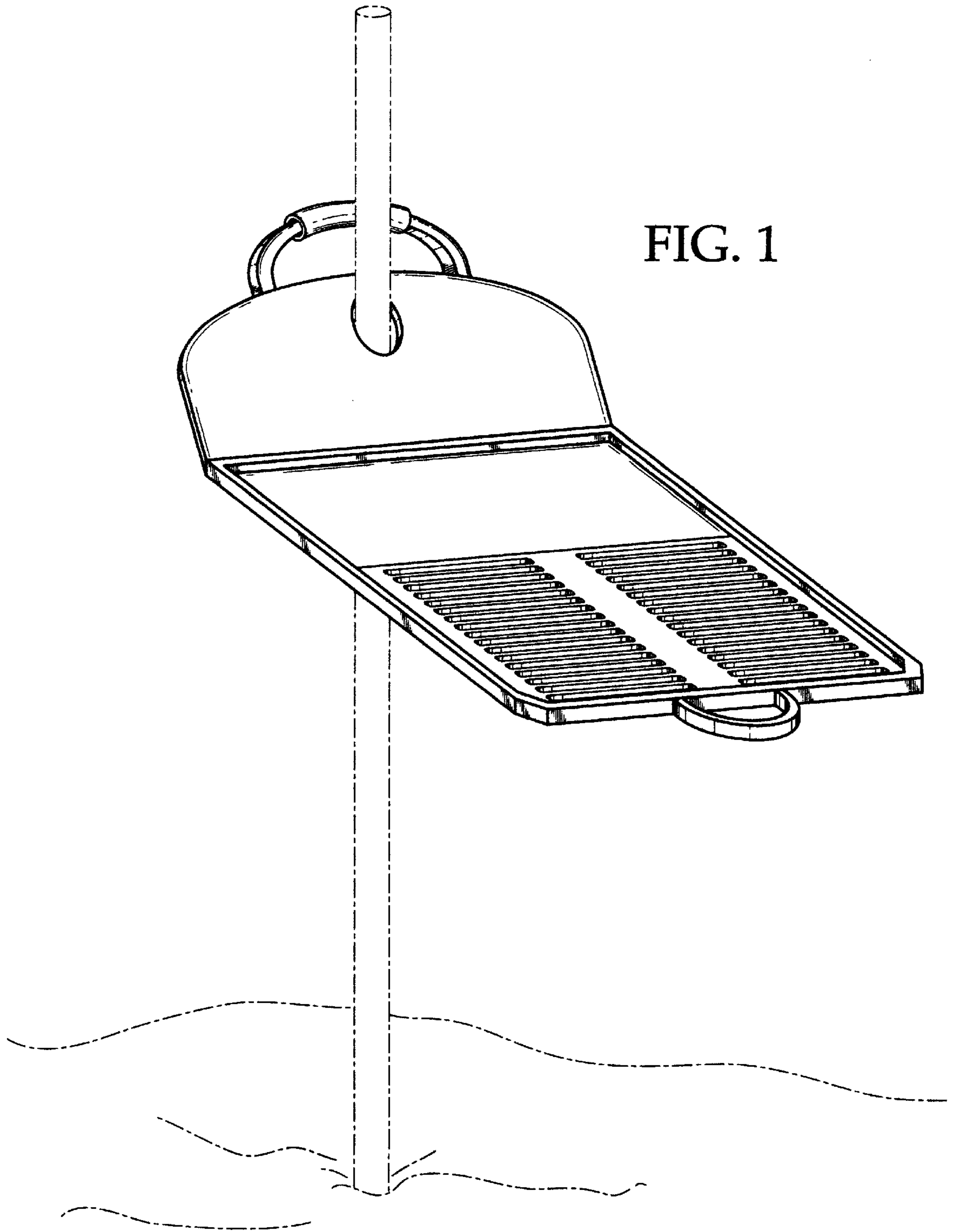


FIG. 1

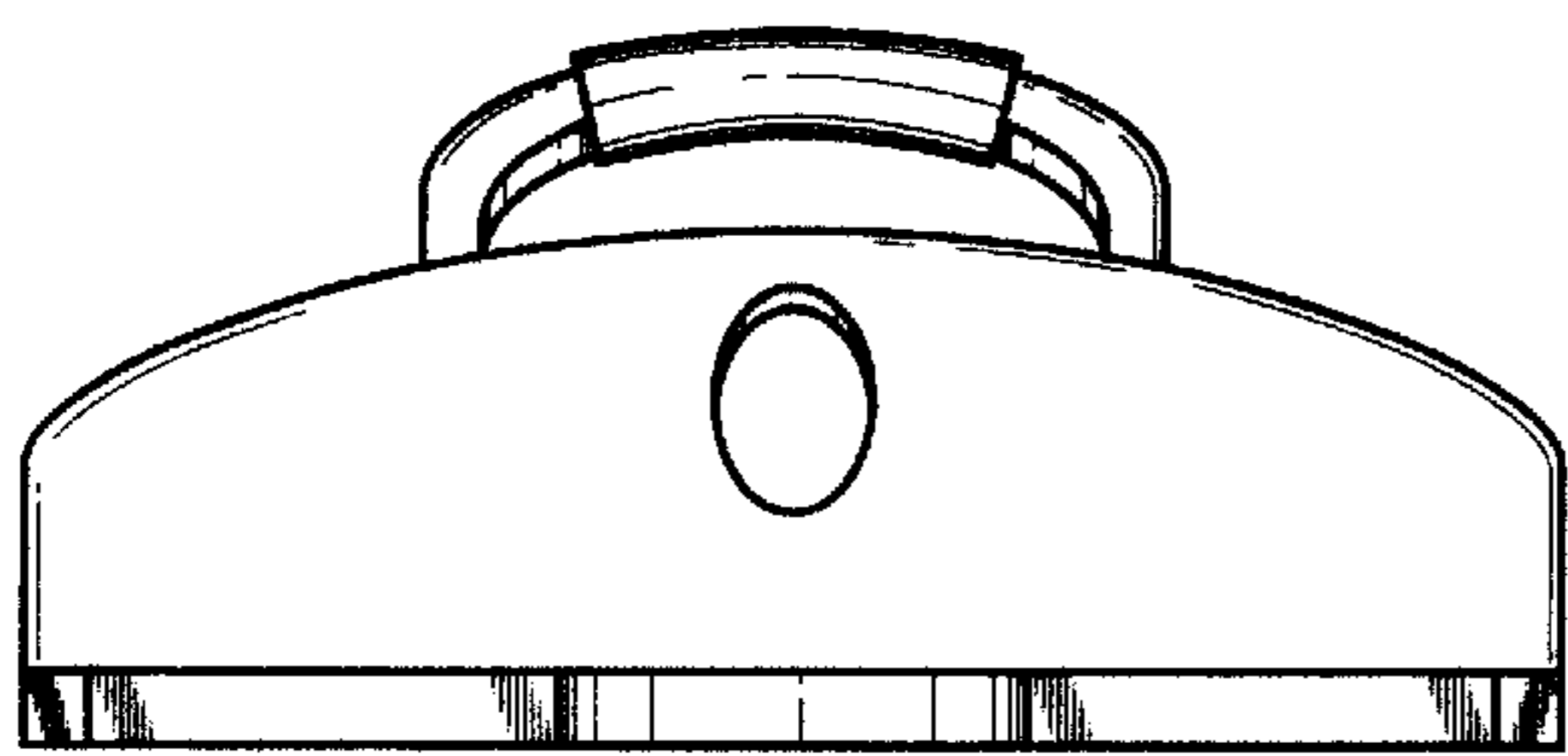


FIG. 2

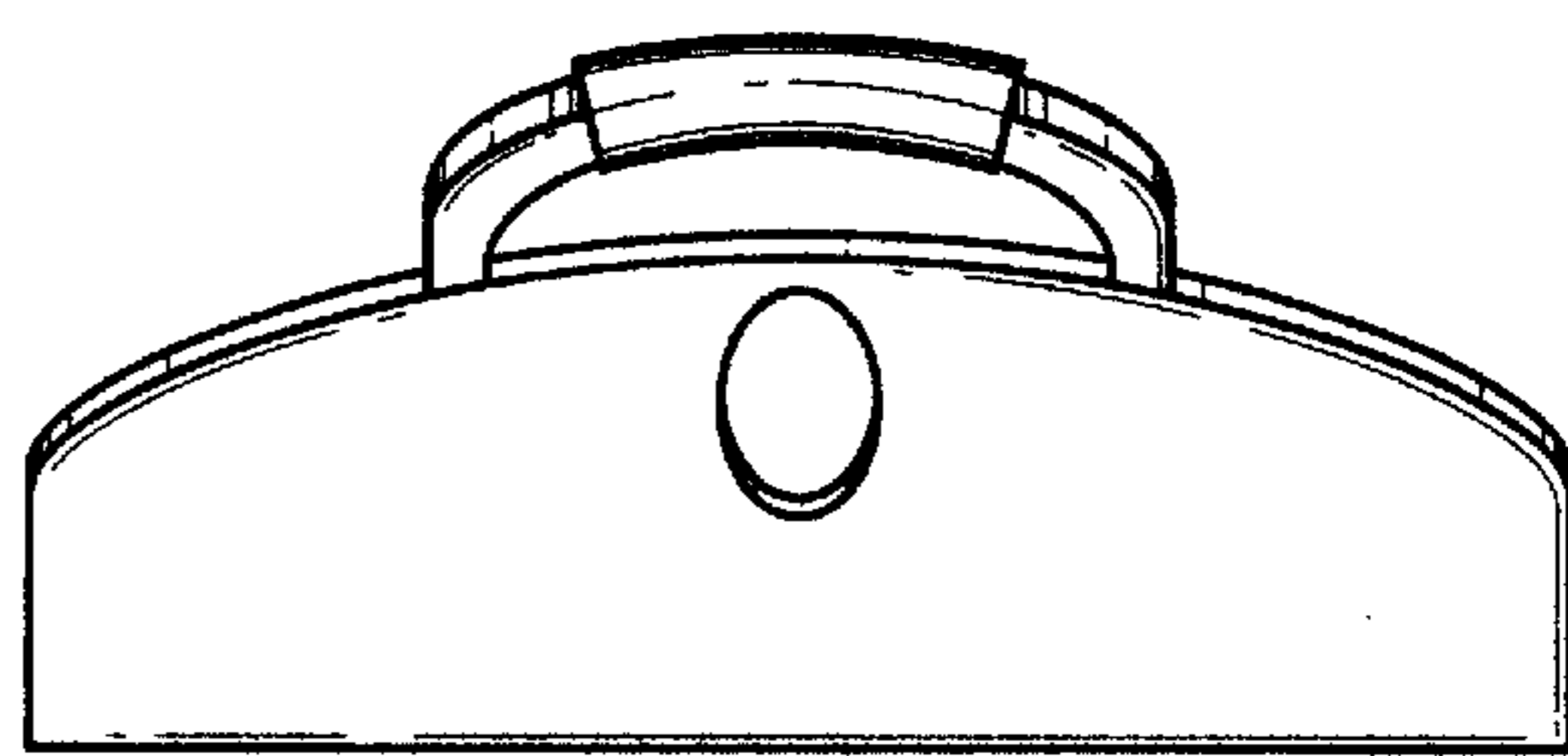


FIG. 3

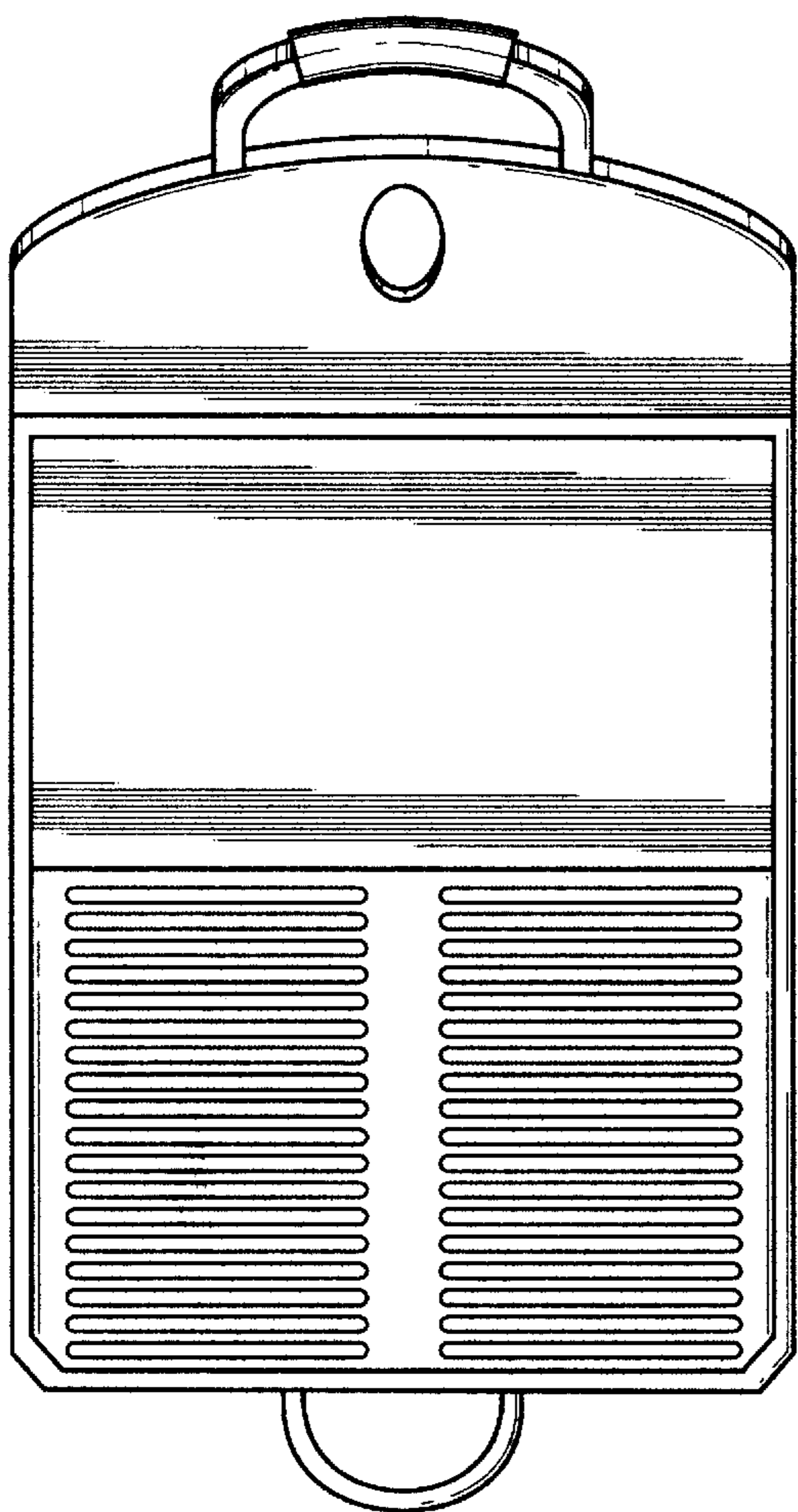


FIG. 4

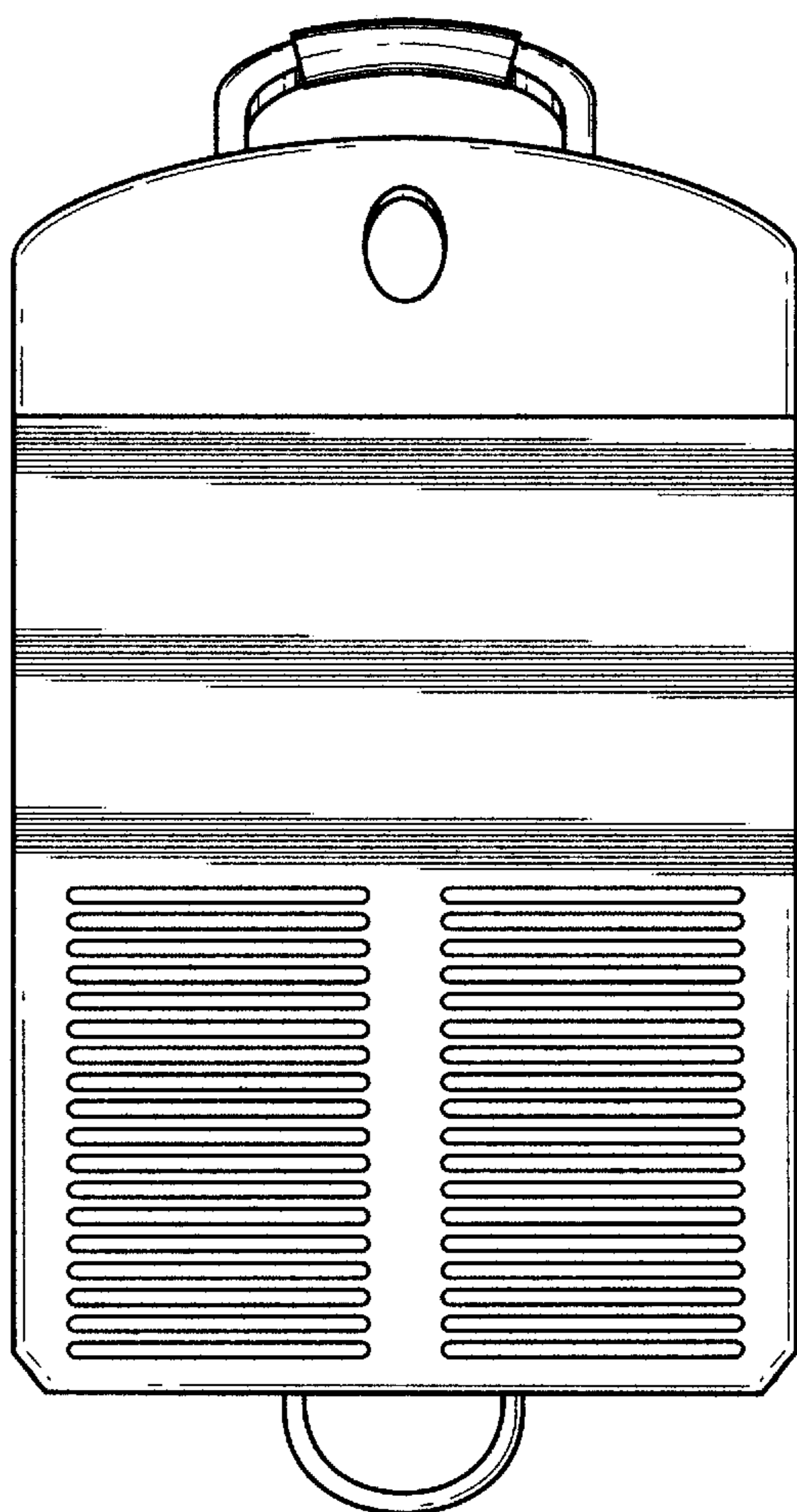


FIG. 5

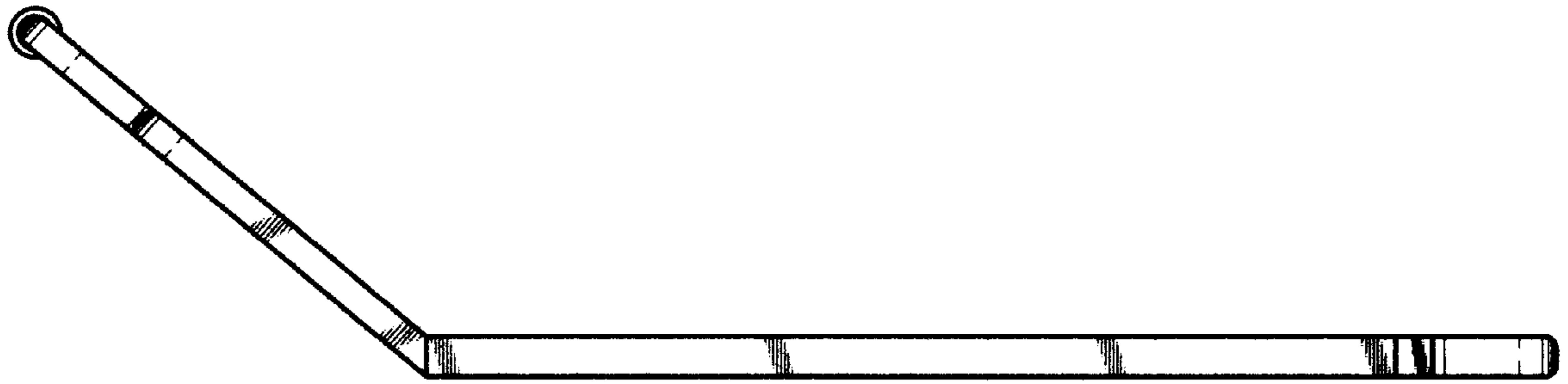


FIG. 6