



US00D427006S

# United States Patent [19]

## Chedal Anglay

[11] **Patent Number: Des. 427,006**

[45] **Date of Patent: \*\* Jun. 27, 2000**

[54] **TOASTER**

[75] **Inventor: Christophe Chedal Anglay,**  
Cran-Gevrier, France

[73] **Assignee: SEB, Selongey, France**

[\*\*] **Term: 14 Years**

[21] **Appl. No.: 29/114,425**

[22] **Filed: Nov. 24, 1999**

### [30] Foreign Application Priority Data

May 26, 1999 [FR] France ..... 99 3555

[51] **LOC (7) Cl. .... 07-02**

[52] **U.S. Cl. .... D7/330**

[58] **Field of Search ..... D7/323, 328, 329,**  
D7/330, 350, 390; 99/328, 329 RT, 372,  
385, 389

### [56] References Cited

#### U.S. PATENT DOCUMENTS

D. 156,153 11/1949 Olson et al. .... D7/330

D. 386,352	11/1997	Mandell et al. ....	D7/330
D. 401,471	11/1998	Barker .....	D7/330
D. 414,373	11/1998	Cruz .....	D7/330
D. 415,924	11/1999	Powel .....	D7/330
2,404,915	11/1949	McCullough .....	99/385
2,590,328	3/1952	Koci .....	99/389
2,838,989	6/1958	Clark et al. ....	99/385

*Primary Examiner*—Robert M. Spear  
*Attorney, Agent, or Firm*—Pillsbury Madison & Sutro

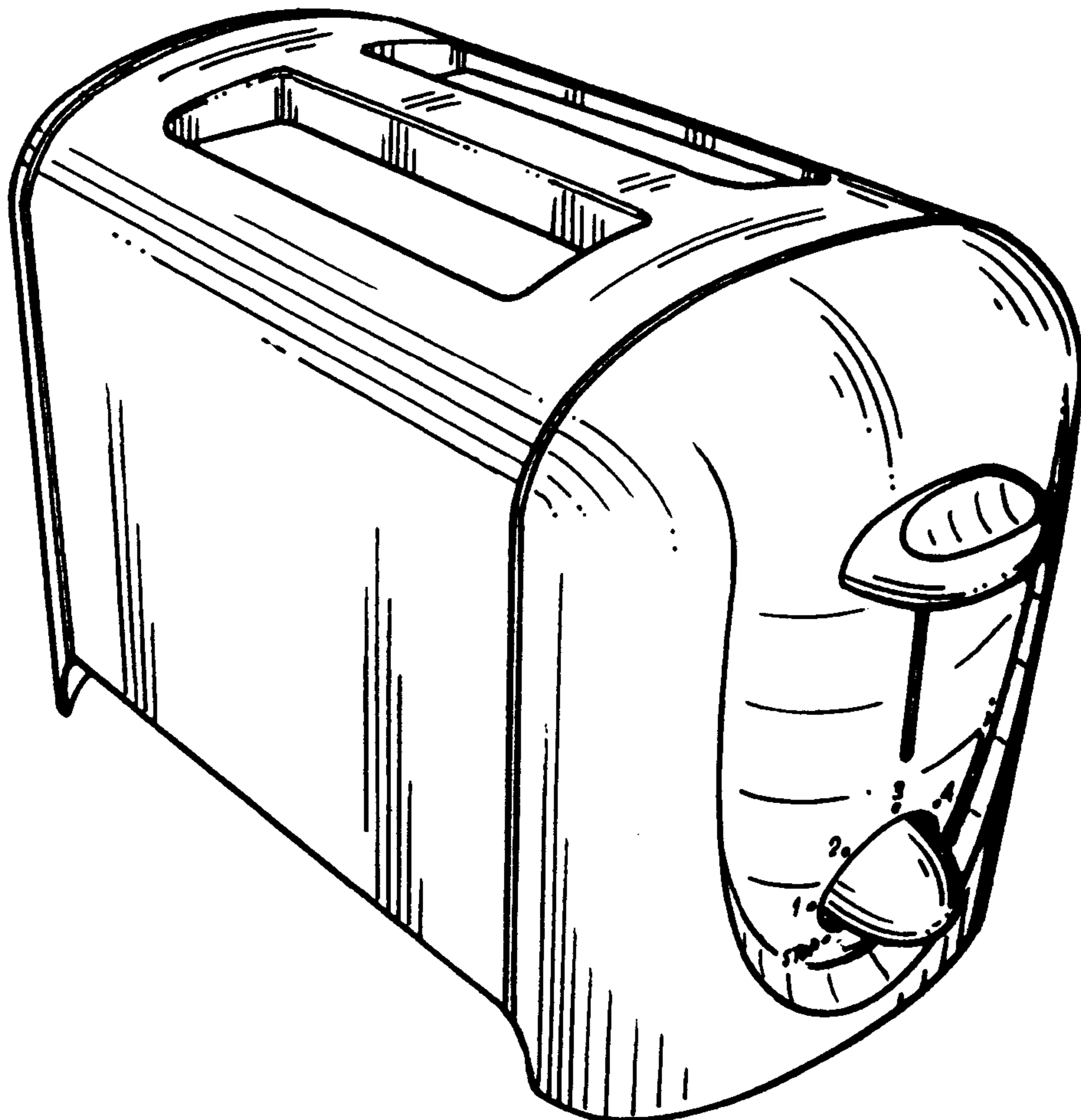
### [57] CLAIM

The ornamental design for a toaster, as shown.

### DESCRIPTION

FIG. 1 is a front elevational view of a toaster according to my new design;  
FIG. 2 is a rear elevational view thereof;  
FIG. 3 is a right side elevational view thereof;  
FIG. 4 is a left side elevational view thereof;  
FIG. 5 is a top plan view thereof;  
FIG. 6 is a bottom plan view thereof; and,  
FIG. 7 is a perspective view. Thereof, seen from above and from the right and the front.

**1 Claim, 7 Drawing Sheets**



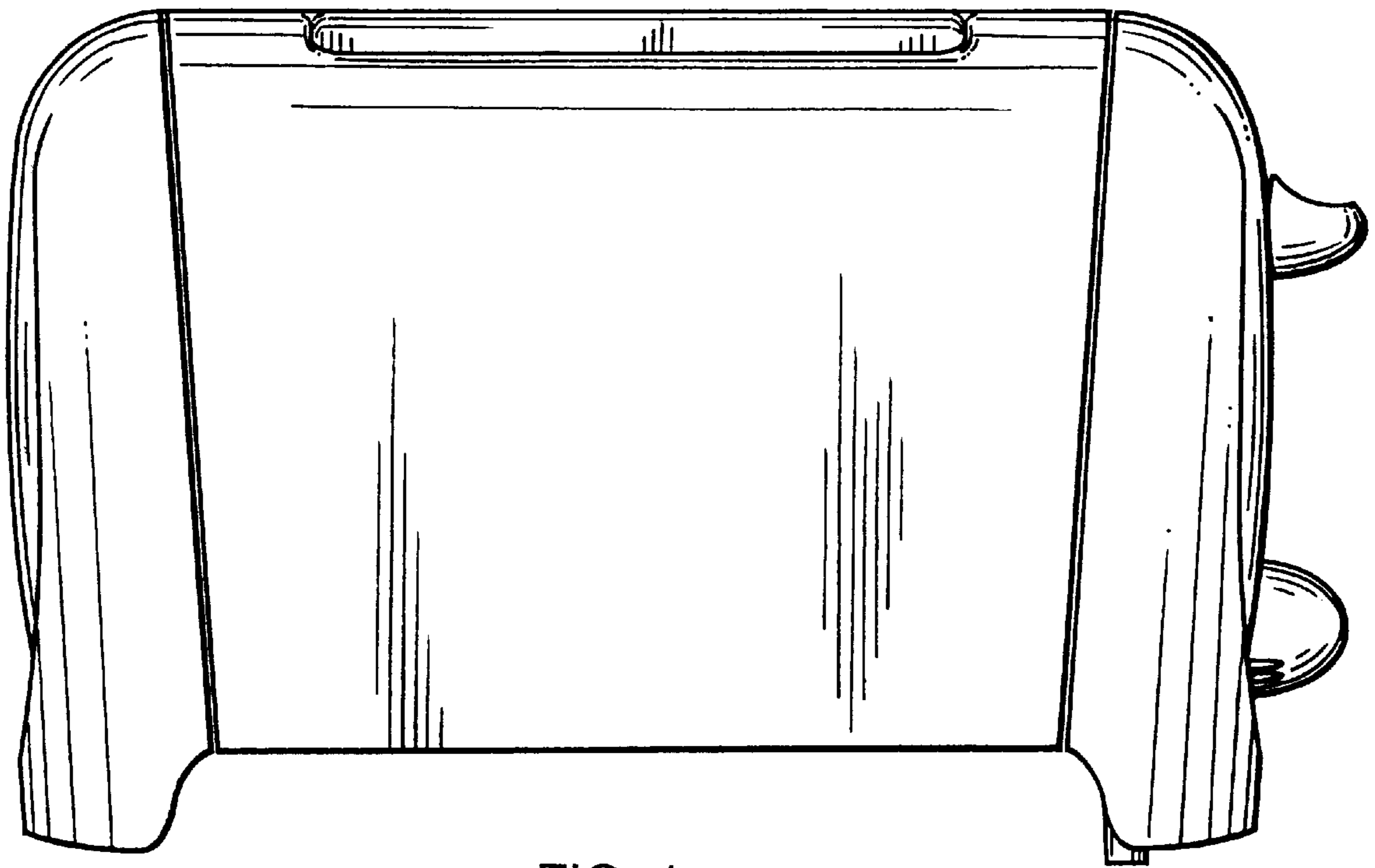


FIG. 1

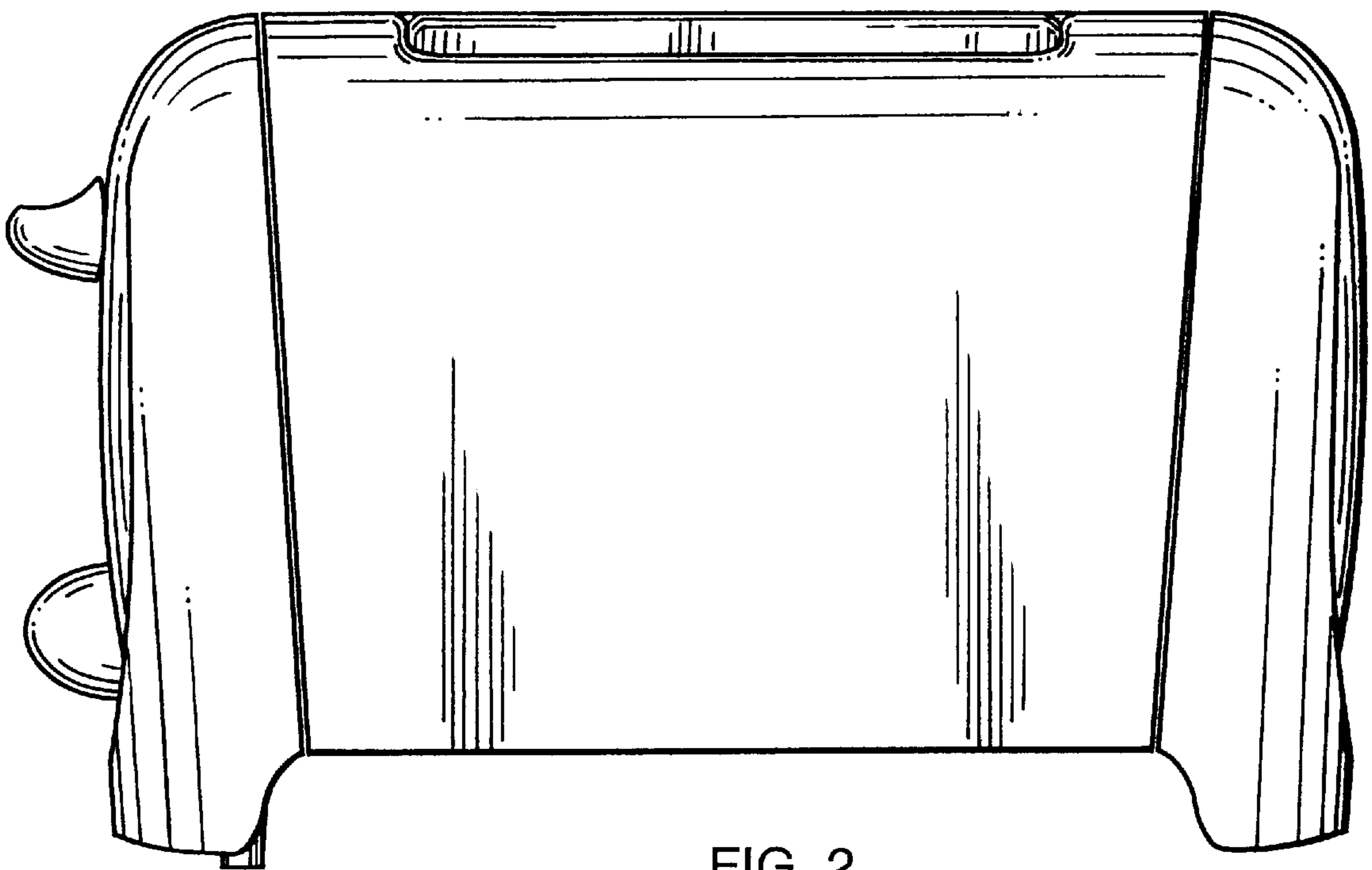


FIG. 2

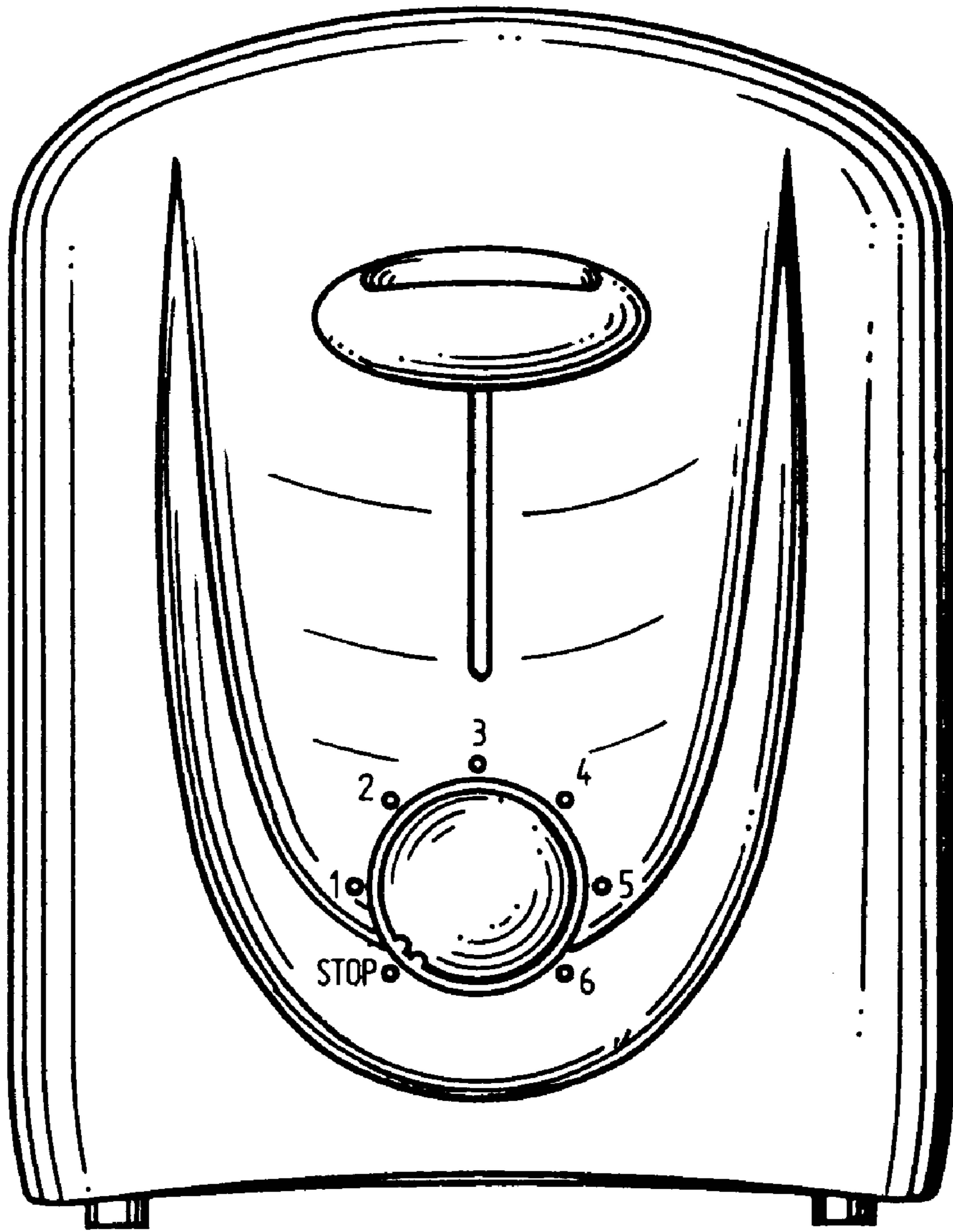


FIG. 3

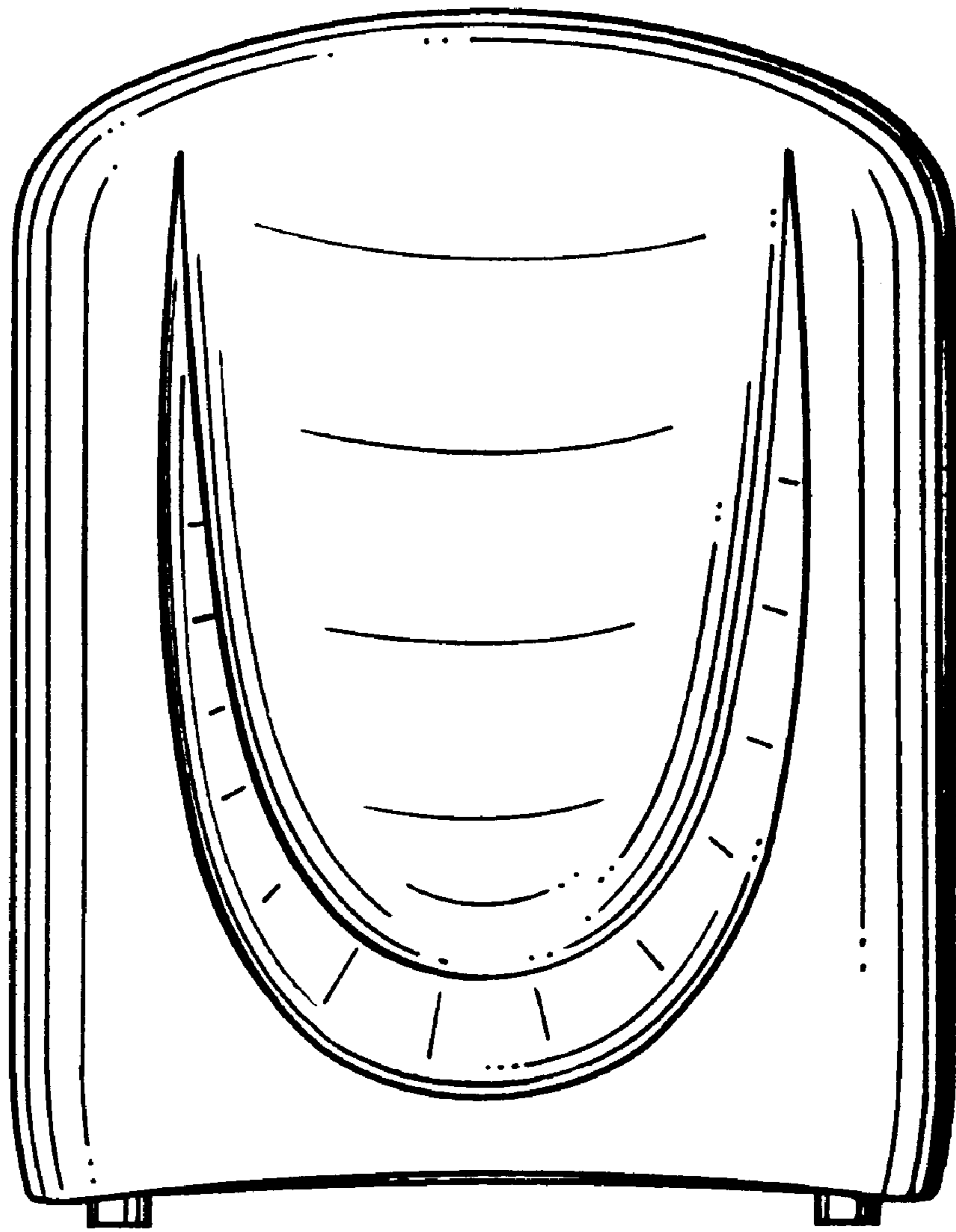


FIG. 4

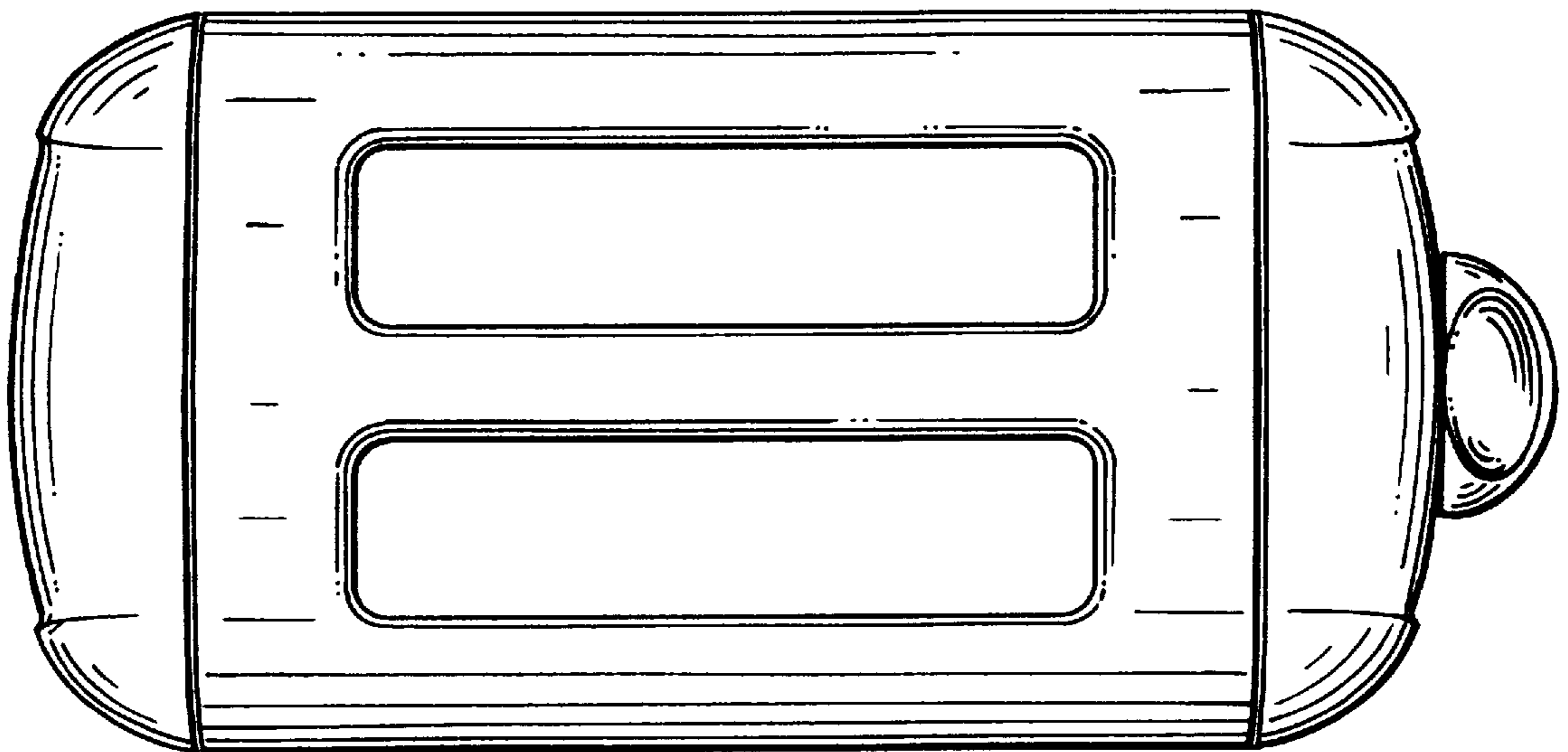


FIG. 5

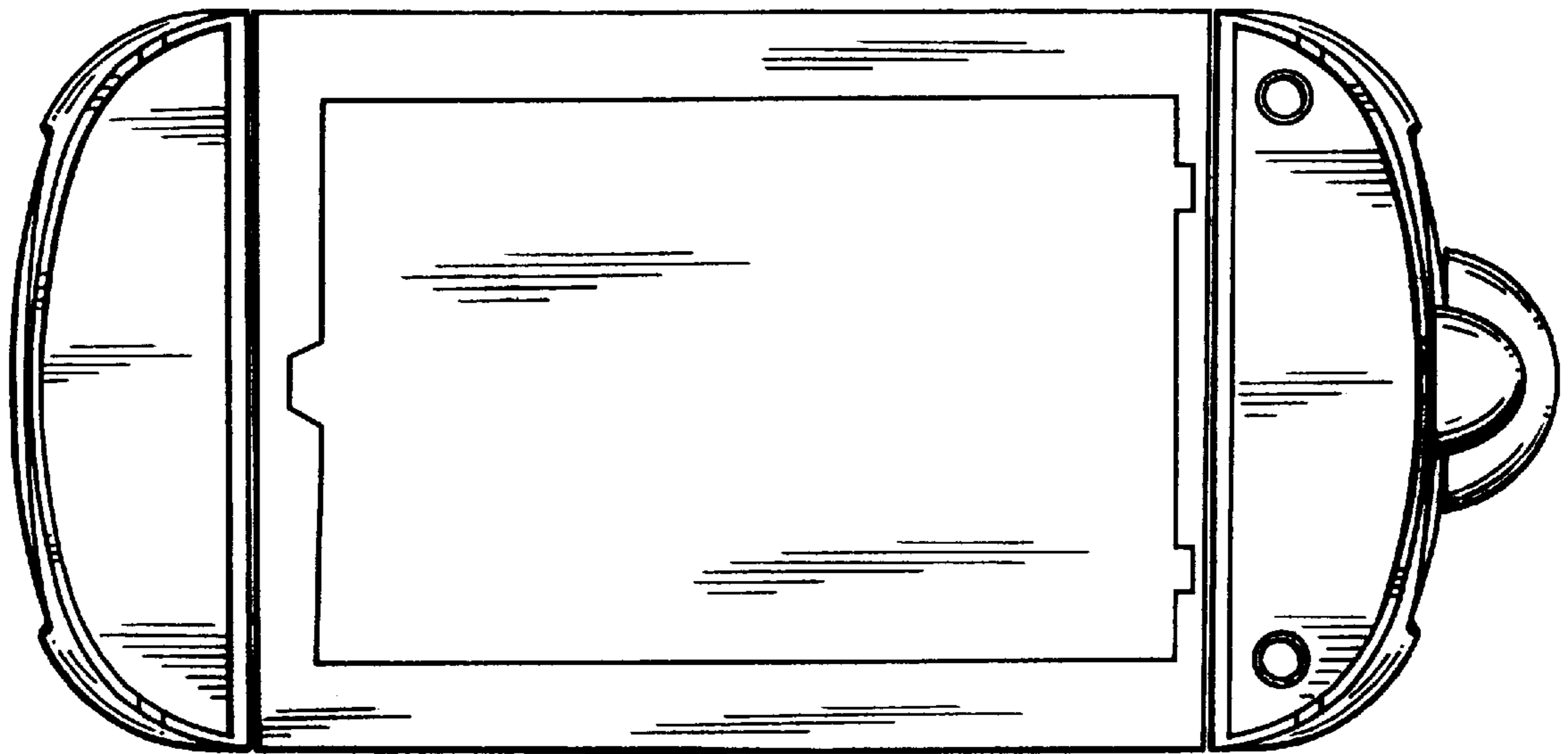


FIG. 6

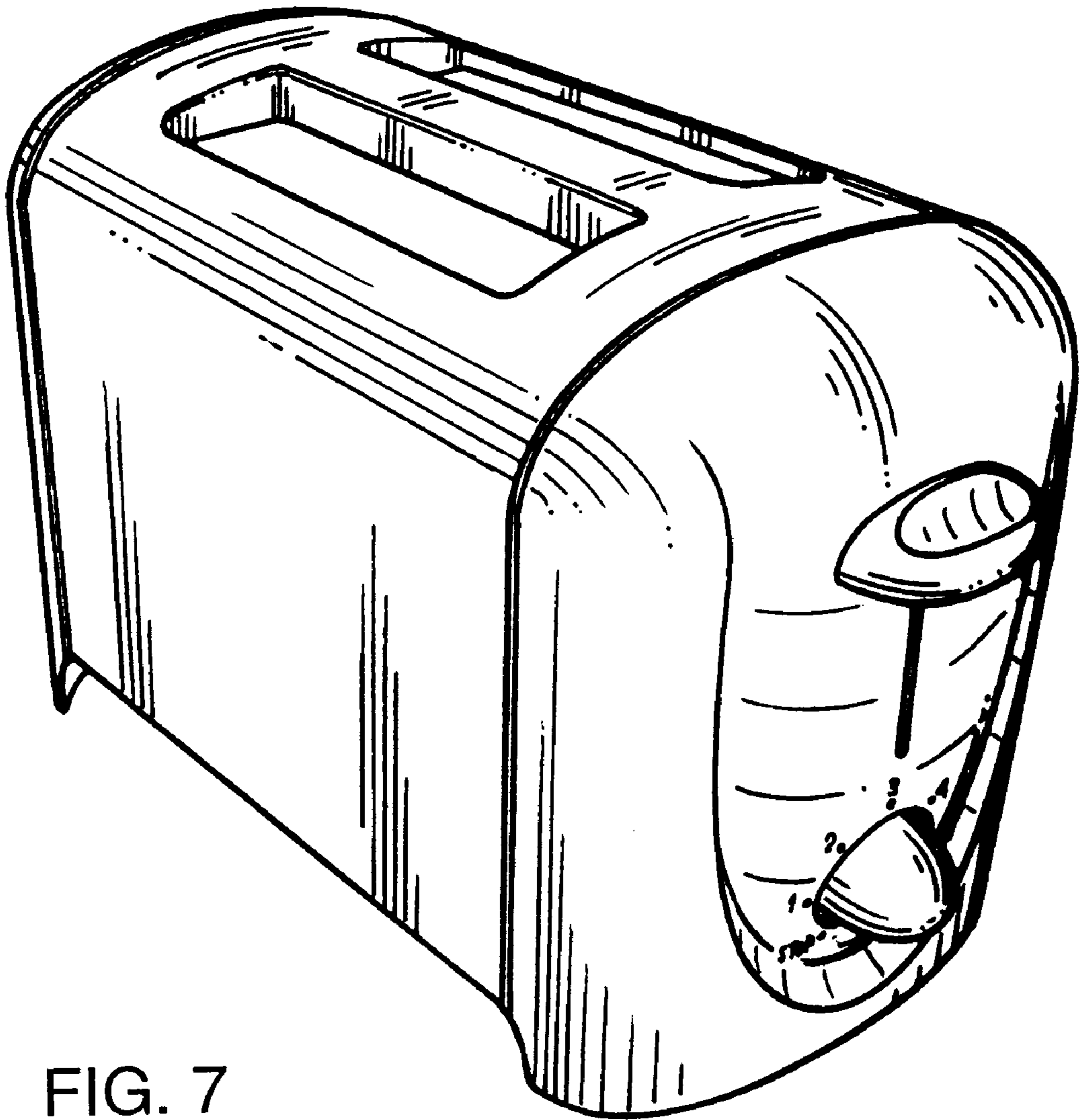


FIG. 7