



US00D427004S

**United States Patent** [19]  
**Thurlow**

[11] **Patent Number: Des. 427,004**

[45] **Date of Patent: \*\* Jun. 27, 2000**

[54] **KETTLE**

[76] Inventor: **Heida L. Thurlow**, 10814 Riverview,  
Houston, Tex. 77042

[\*\*] Term: **14 Years**

[21] Appl. No.: **29/098,911**

[22] Filed: **Jan. 8, 1999**

[51] **LOC (7) Cl.** ..... **07-01**

[52] **U.S. Cl.** ..... **D7/312; D7/321**

[58] **Field of Search** ..... D7/300, 312, 316,  
D7/317, 318, 319, 321, 322, 392, 598,  
605, 608; 215/13.1; 222/565, 570, 475;  
220/300, 293, 756; 97/283, 287

[56] **References Cited**

**U.S. PATENT DOCUMENTS**

D. 191,005	8/1961	Jepson	.....	D7/322
D. 288,518	3/1987	Lebowitz	.....	D7/322
D. 396,988	8/1998	Lien	.....	D7/322
3,591,060	7/1971	Nakamura et al.	.....	222/475

**OTHER PUBLICATIONS**

Bessel, Seoul, Korea, published Jun. 28, 1993, 1 page.  
BK Kristal, Copenhagen, Denmark, published prior to Dec.  
1997, p. 17.

Raadvad Odgard, Kongelige, Denmark, published Dec.  
1991, 1 page.

*Primary Examiner*—M. N. Pandozzi  
*Attorney, Agent, or Firm*—Browning Bushman

[57] **CLAIM**

The ornamental design for a kettle, as shown and described.

**DESCRIPTION**

FIG. 1 is a top, front, and right side perspective view of a kettle showing my new design;

FIG. 2 is a right side elevational view of the kettle shown in FIG. 1, the left side of the kettle being a mirror image of the right side;

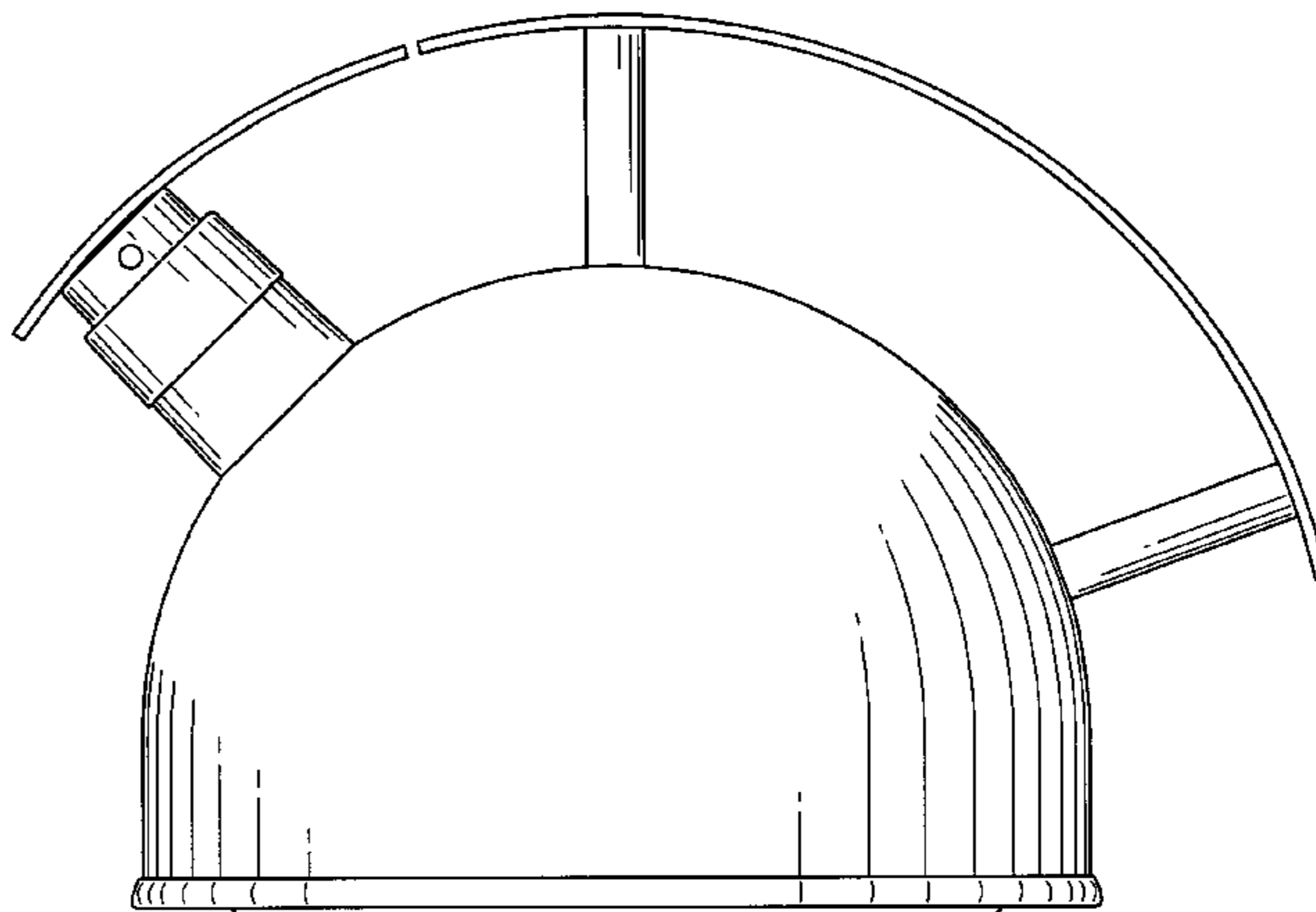
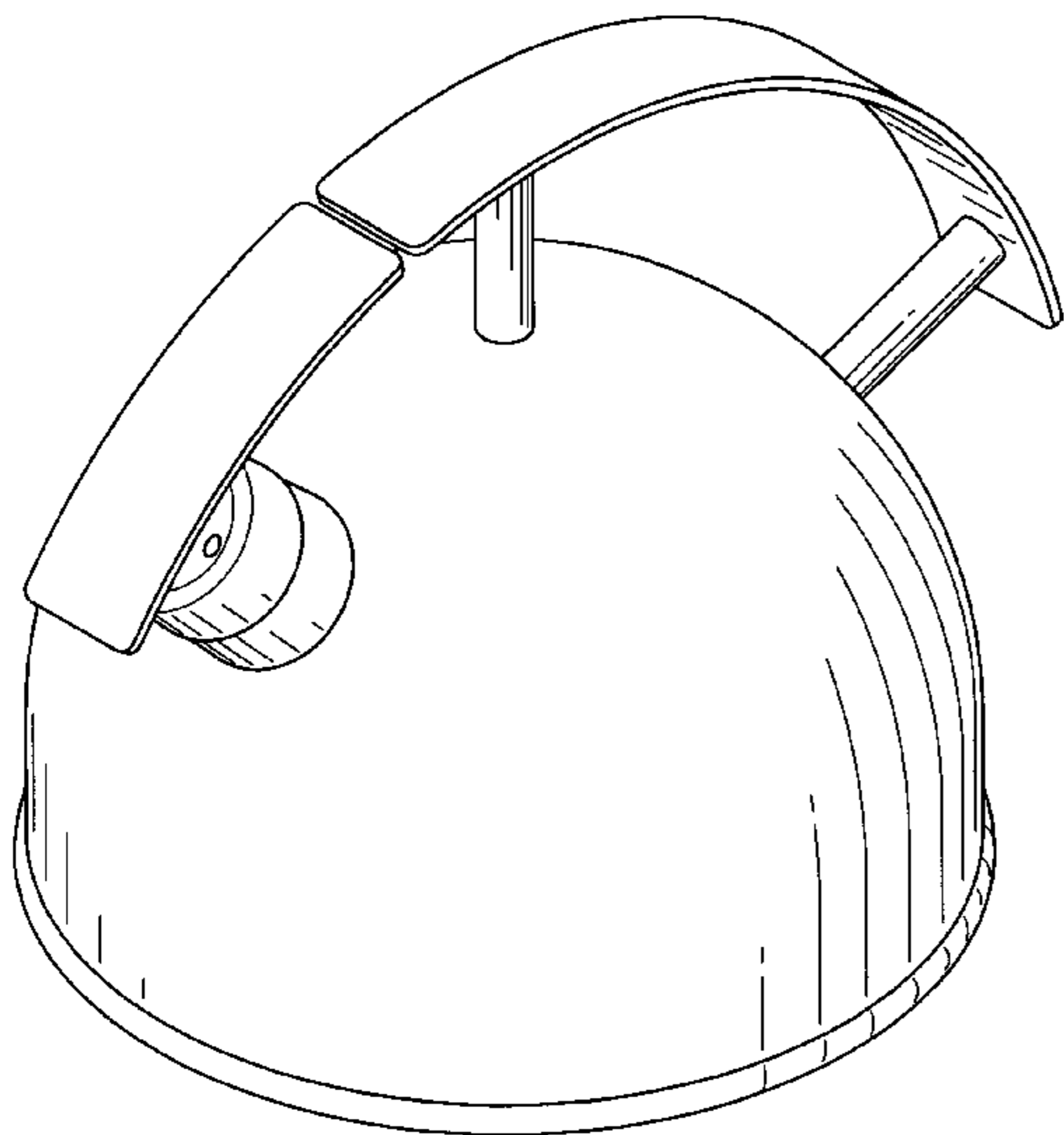
FIG. 3 is a top plan view of the kettle shown in FIG. 1;

FIG. 4 is a bottom plan view of the kettle shown in FIG. 1;

FIG. 5 is a front elevational view of the kettle shown in FIG. 1; and,

FIG. 6 is a rear elevational view of the kettle shown in FIG. 1.

**1 Claim, 3 Drawing Sheets**



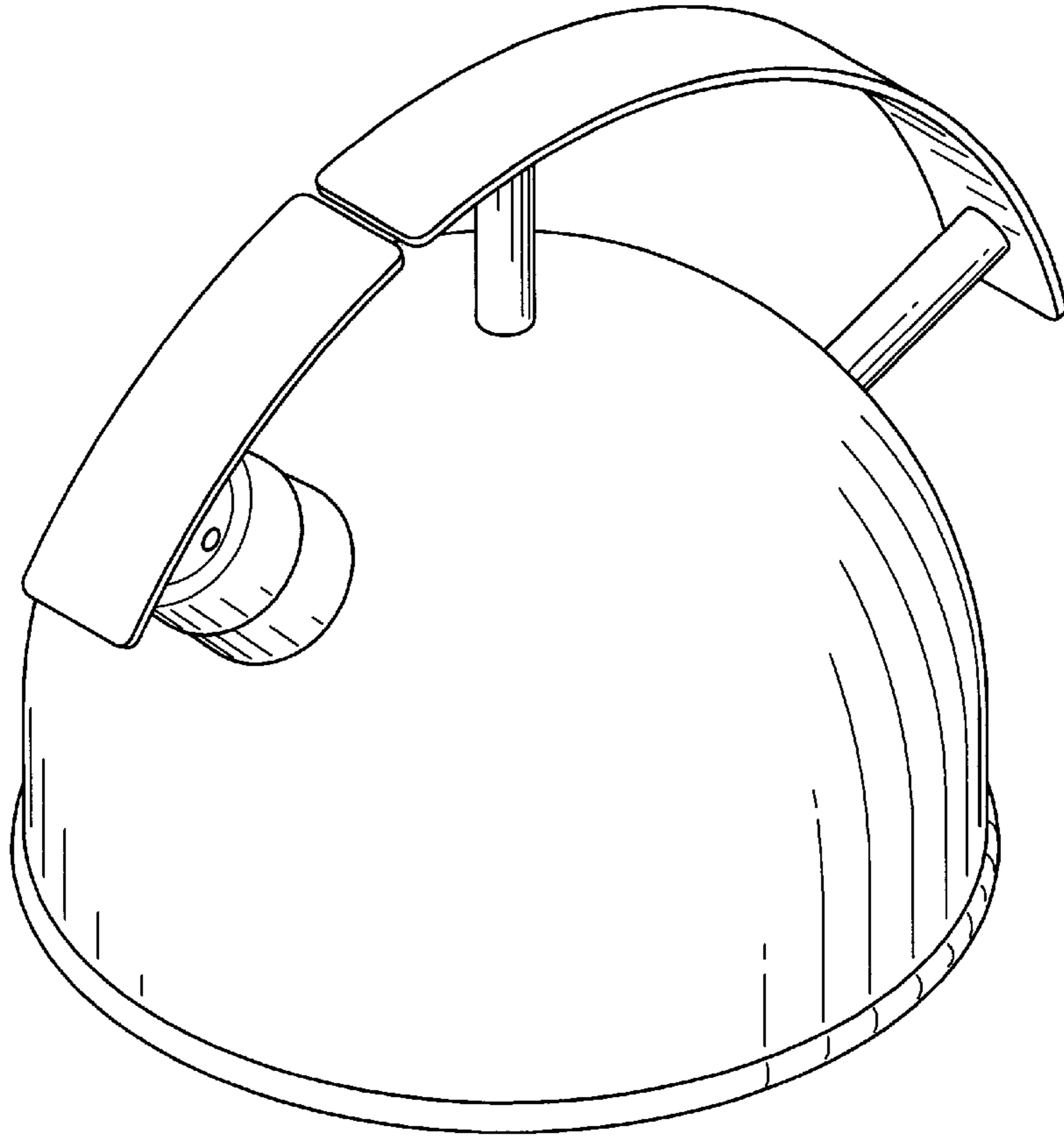


Fig. 1

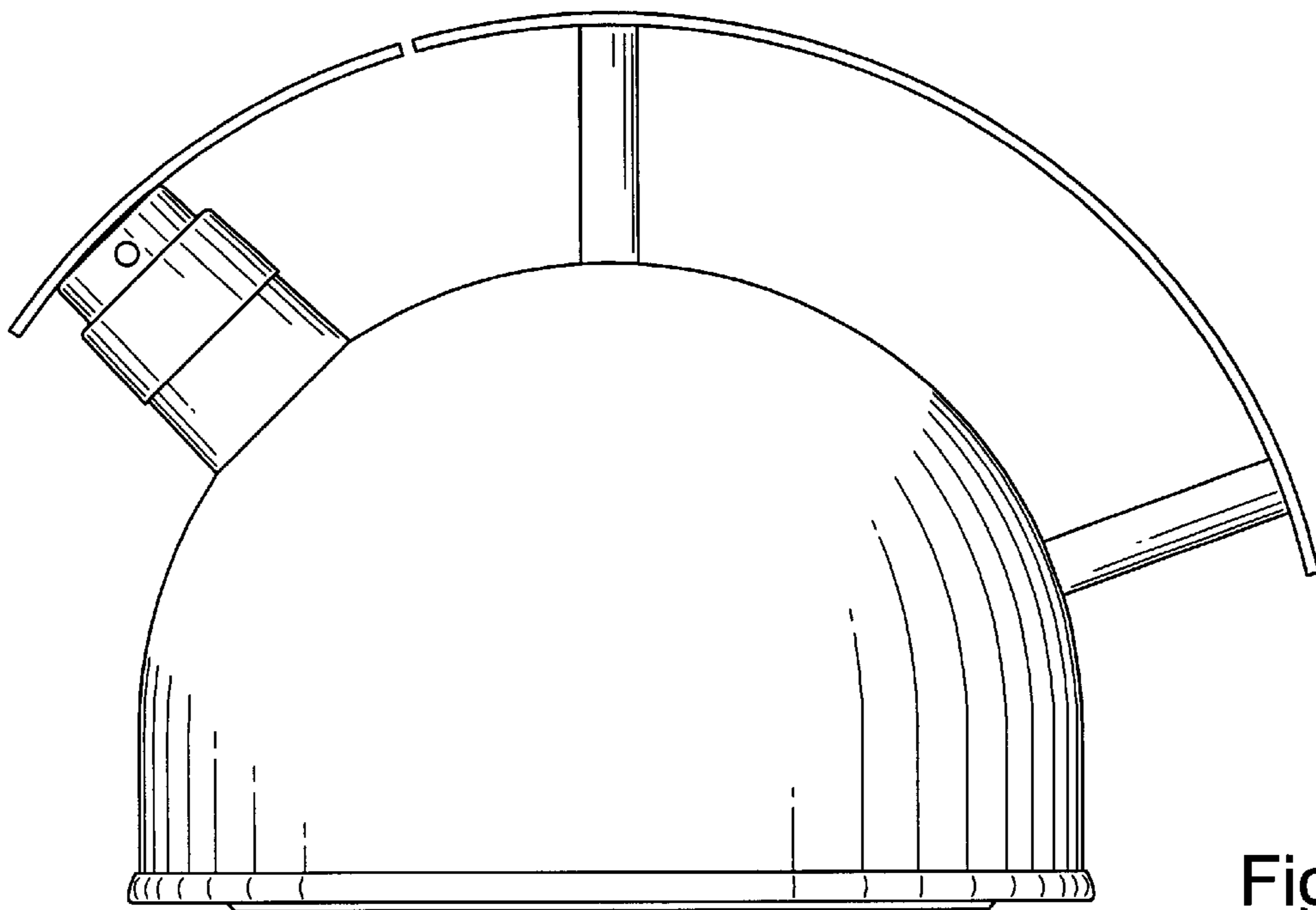


Fig. 2

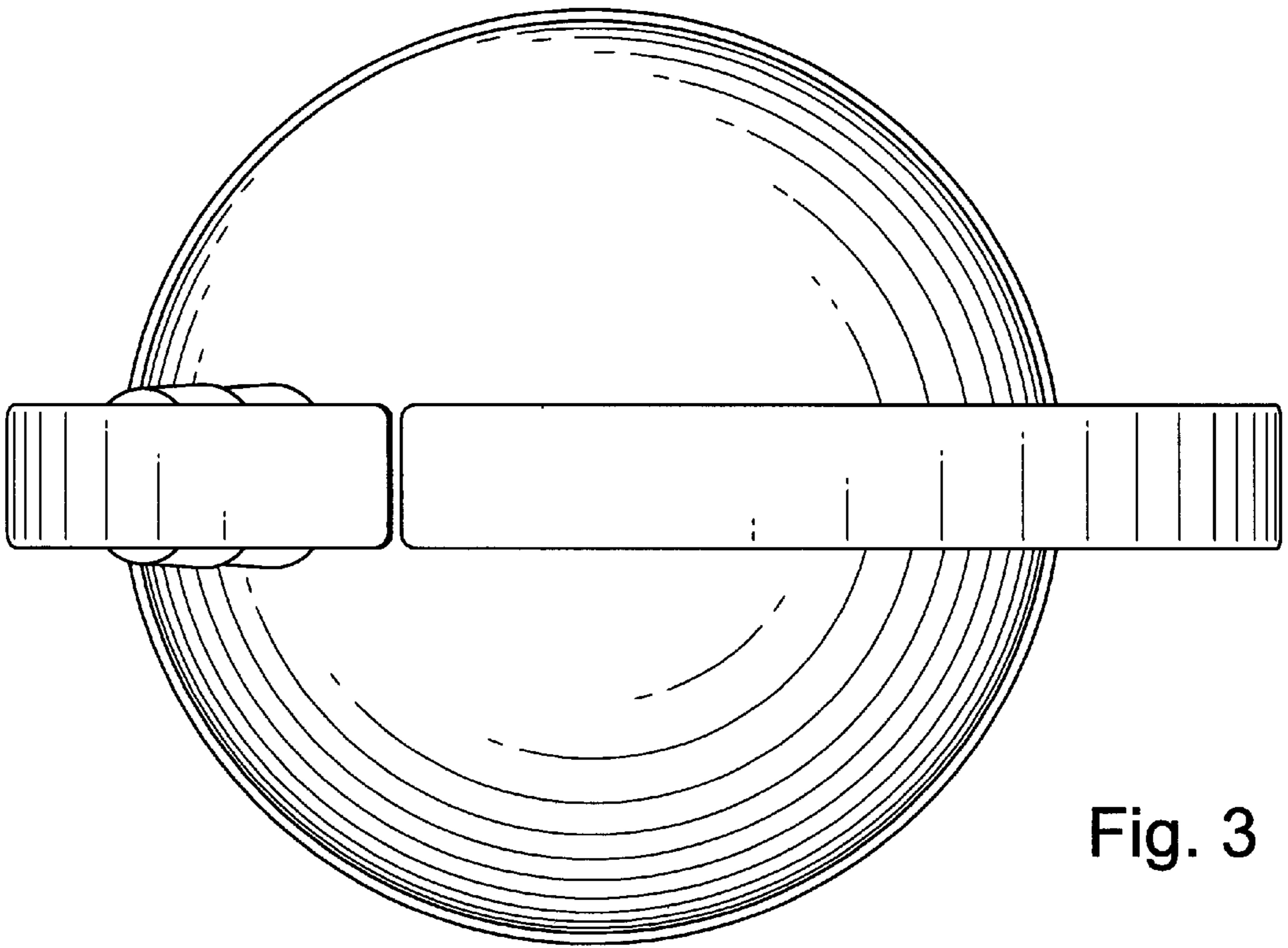


Fig. 3

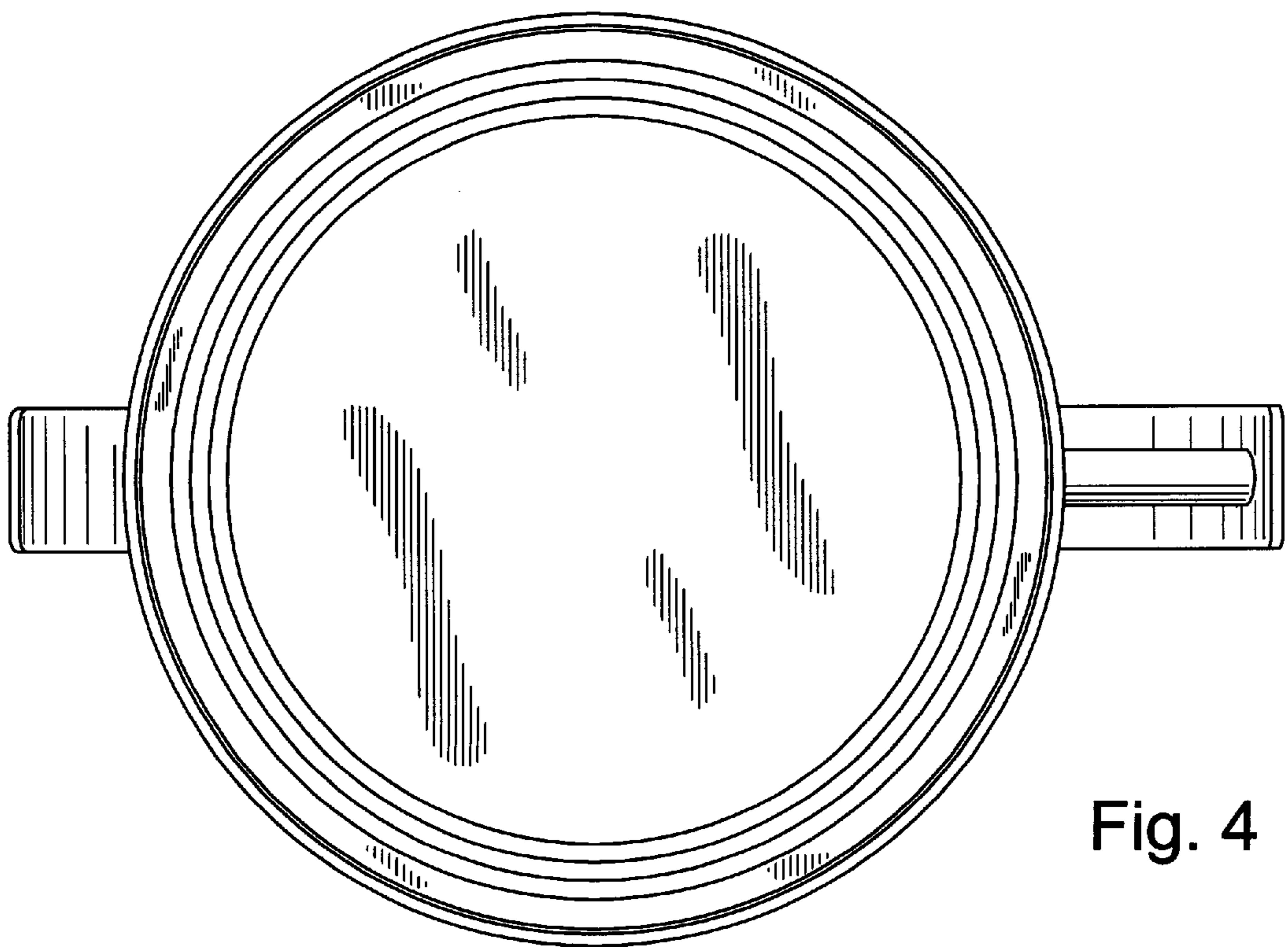


Fig. 4

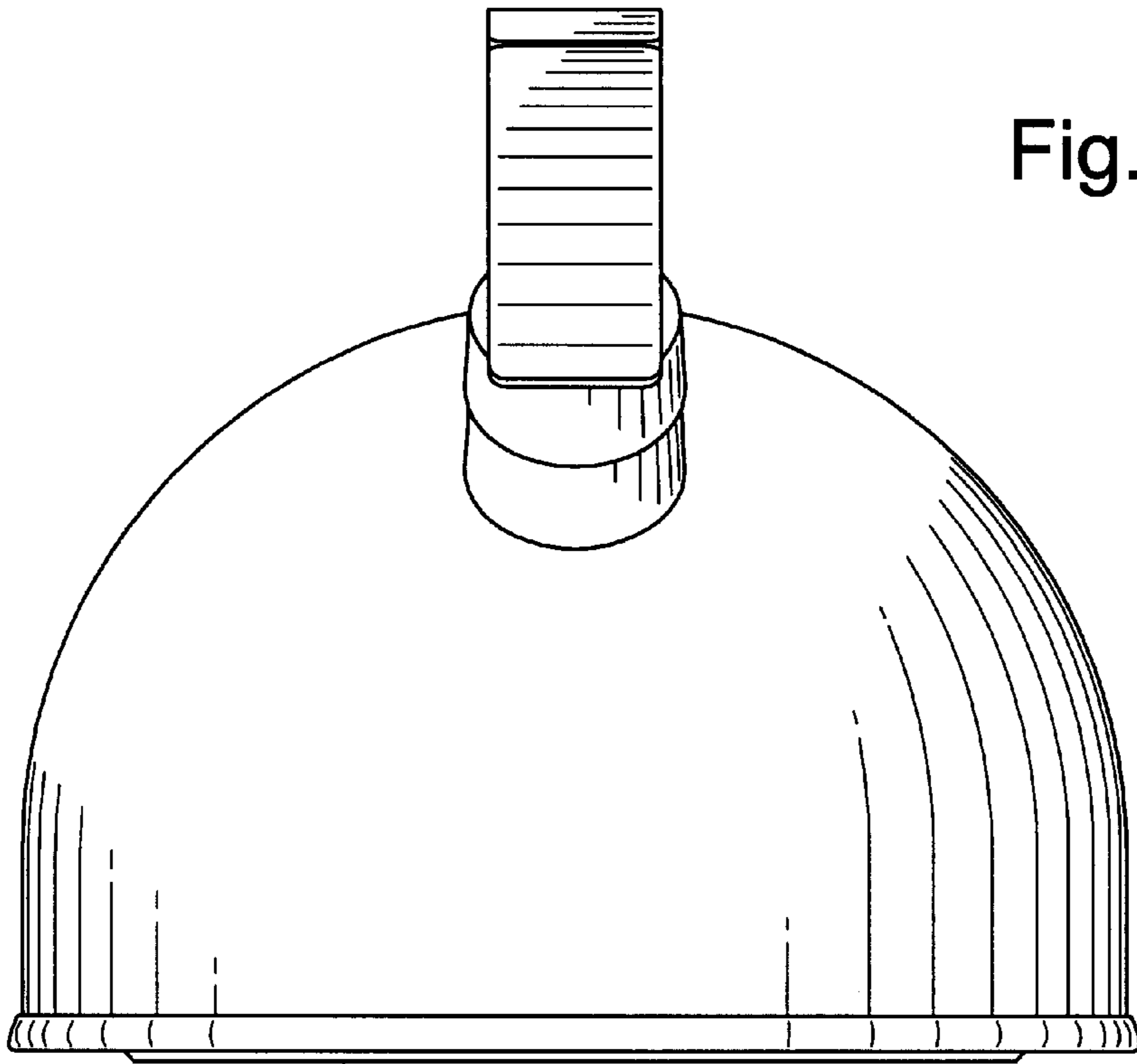


Fig. 5

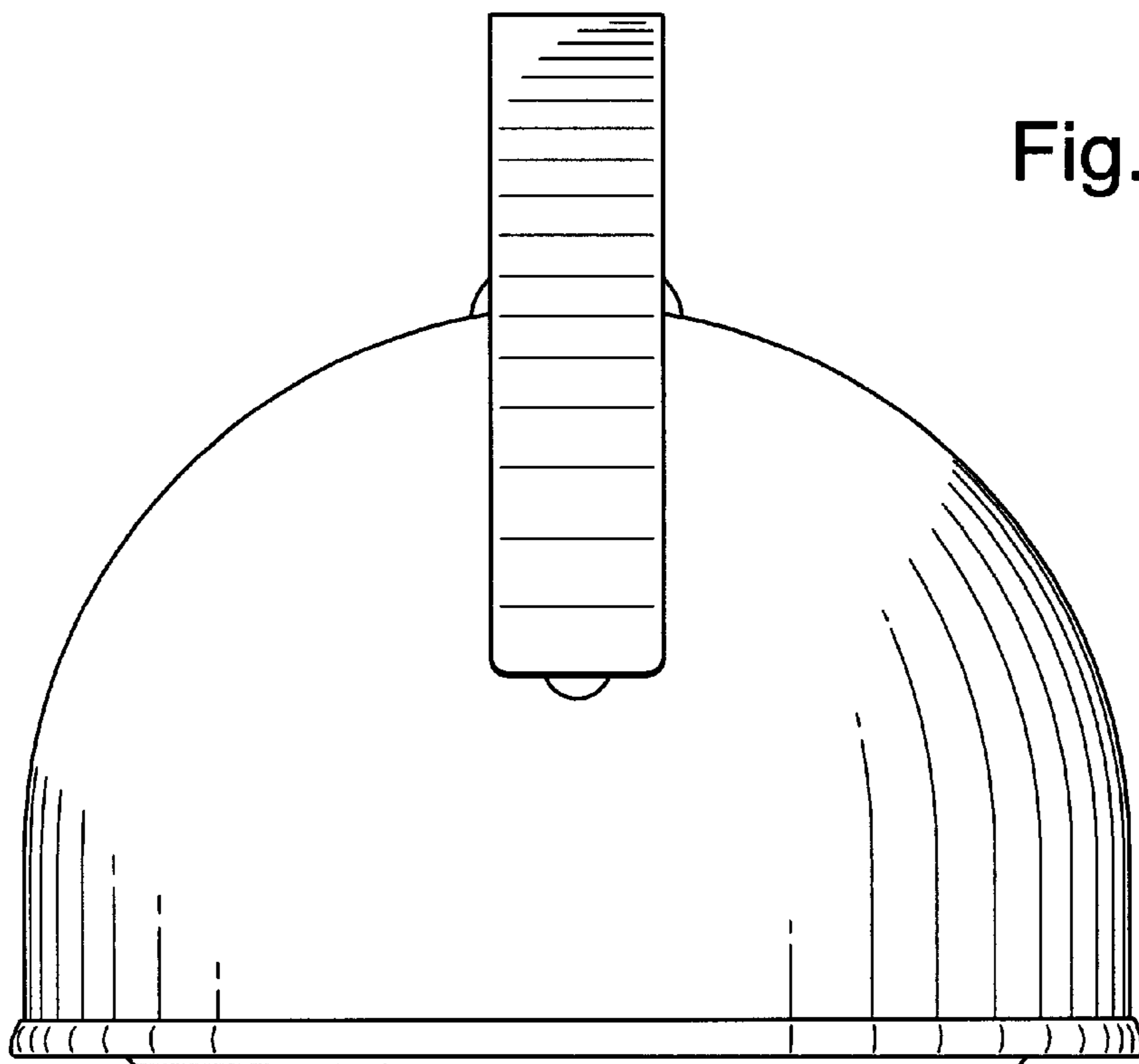


Fig. 6