



US00D427003S

United States Patent [19]
Lin

[11] **Patent Number: Des. 427,003**

[45] **Date of Patent: ** Jun. 27, 2000**

[54] **COFFEE MAKER**

D. 342,182 12/1993 Camara D7/309
D. 402,153 12/1998 Saltet D7/309

[76] Inventor: **Yu-Yuan Lin**, P.O. Box 1032, Tainan, Taiwan

Primary Examiner—M. N. Pandozzi

[**] Term: **14 Years**

[57] **CLAIM**

[21] Appl. No.: **29/098,902**

The ornamental design for a coffee maker, as shown and described.

[22] Filed: **Jan. 8, 1999**

DESCRIPTION

[51] **LOC (7) Cl.** **07-01**

FIG. 1 is a perspective view of coffee maker showing my new design;

[52] **U.S. Cl.** **D7/309; D7/310; D7/311**

FIG. 2 is a front elevational view thereof;

[58] **Field of Search** D7/300, 309, 310,
D7/311; 99/285, 306, 295; 210/474, 477;
222/129

FIG. 3 is a rear elevational view thereof;

FIG. 4 is a left side elevational view thereof;

FIG. 5 is a right side elevational view thereof;

FIG. 6 is a top plan view thereof; and,

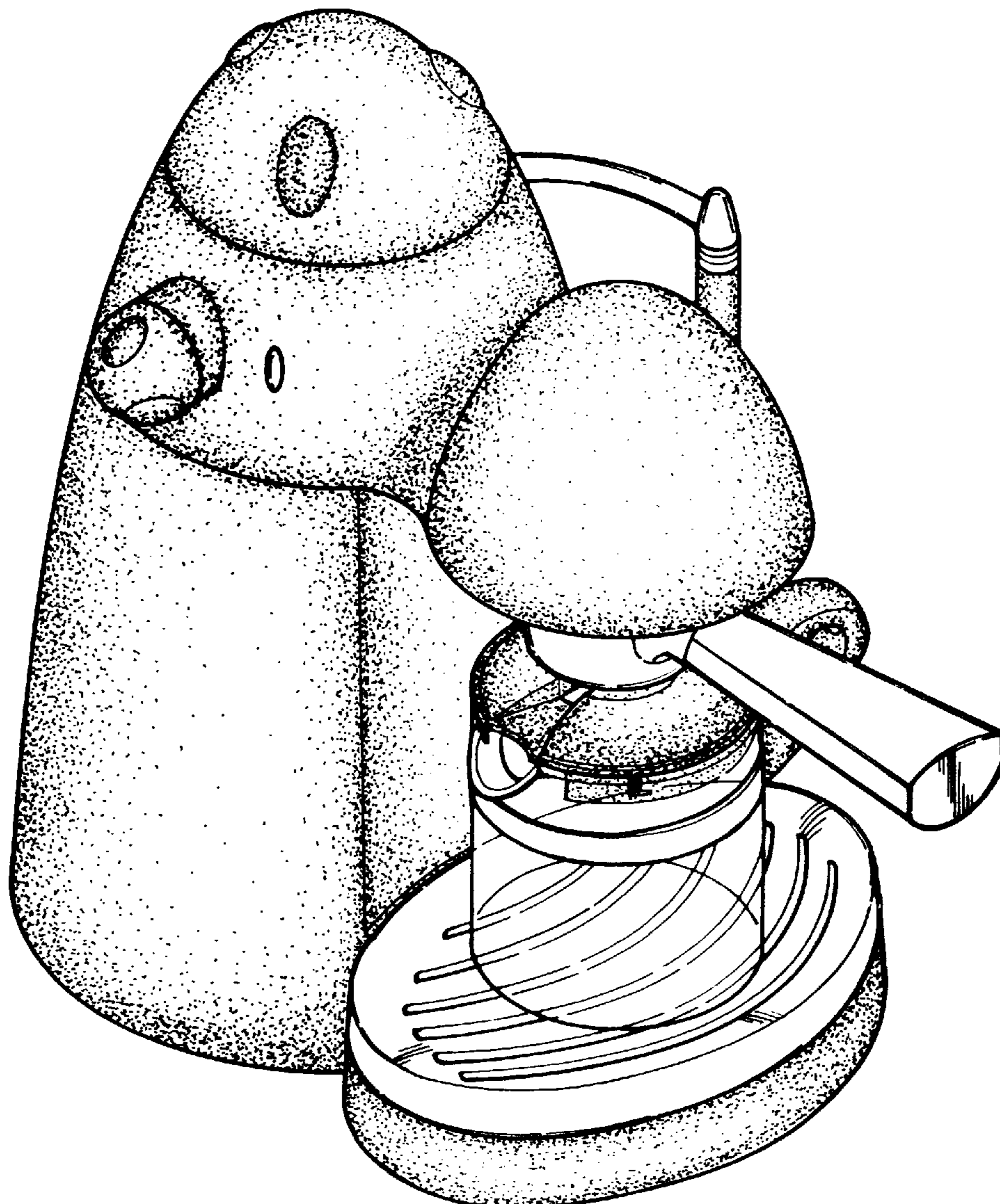
FIG. 7 is a bottom plan view thereof.

[56] **References Cited**

U.S. PATENT DOCUMENTS

D. 340,162 10/1993 Storsberg D7/309

1 Claim, 5 Drawing Sheets



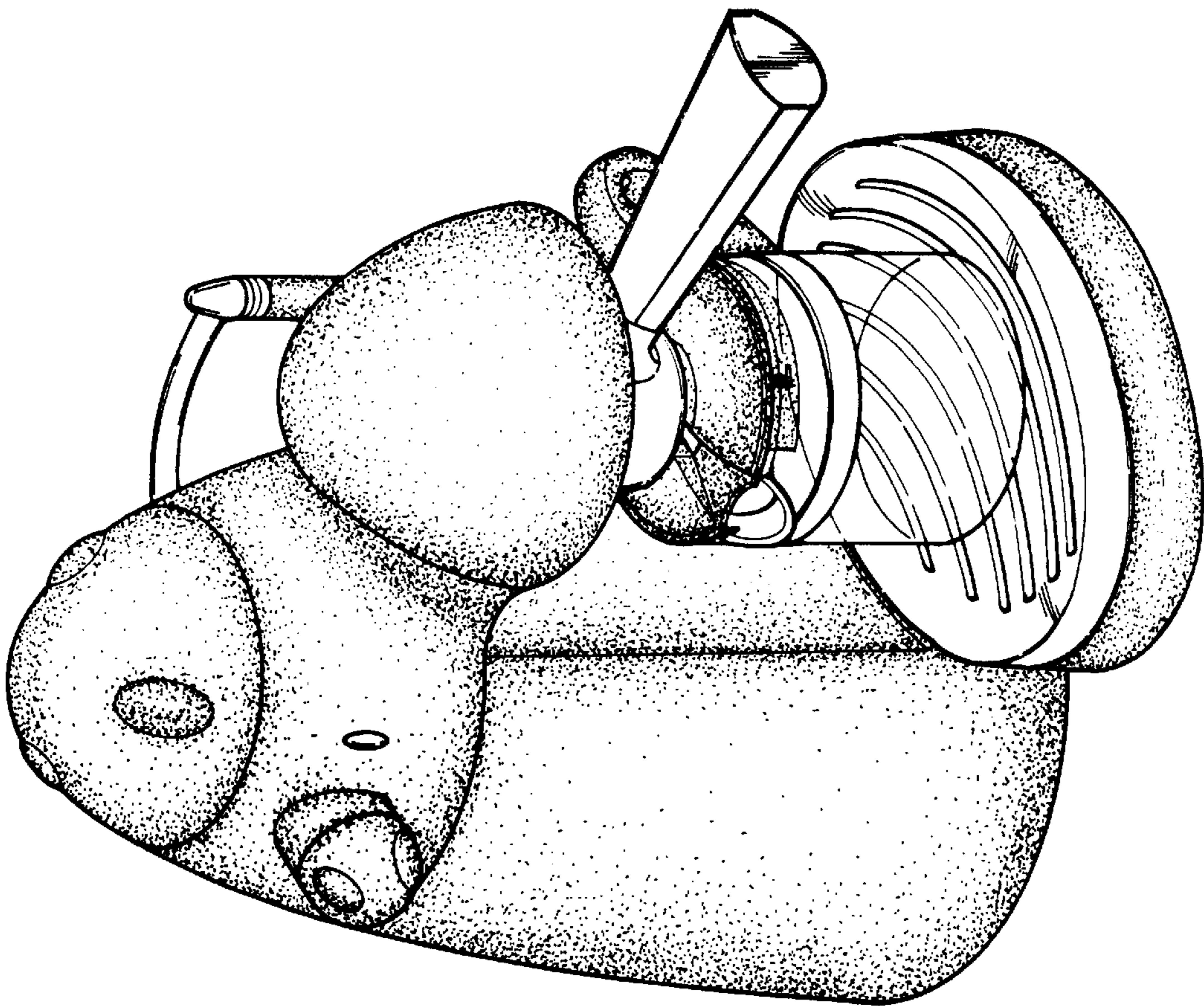


FIG.1

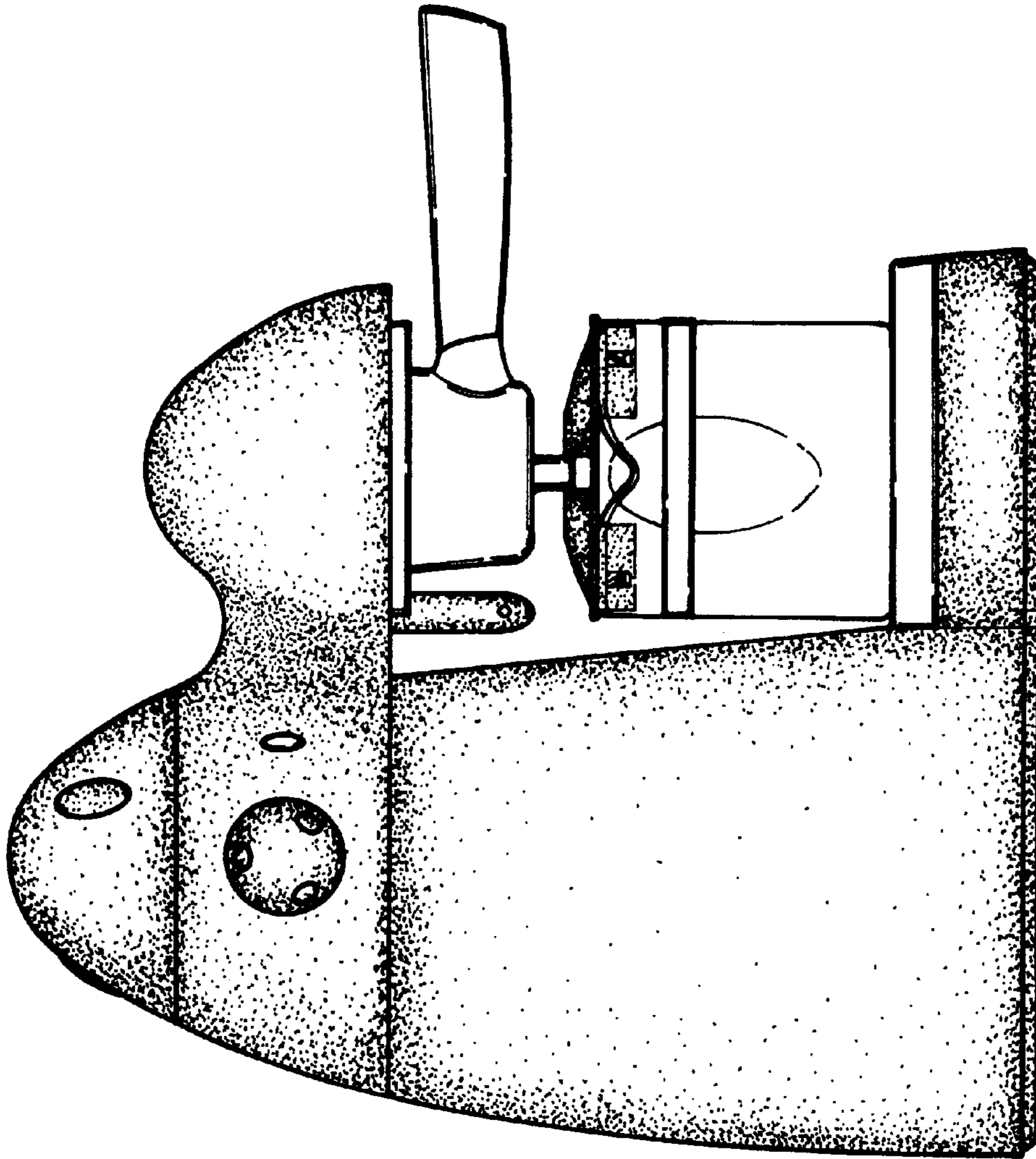


FIG.2

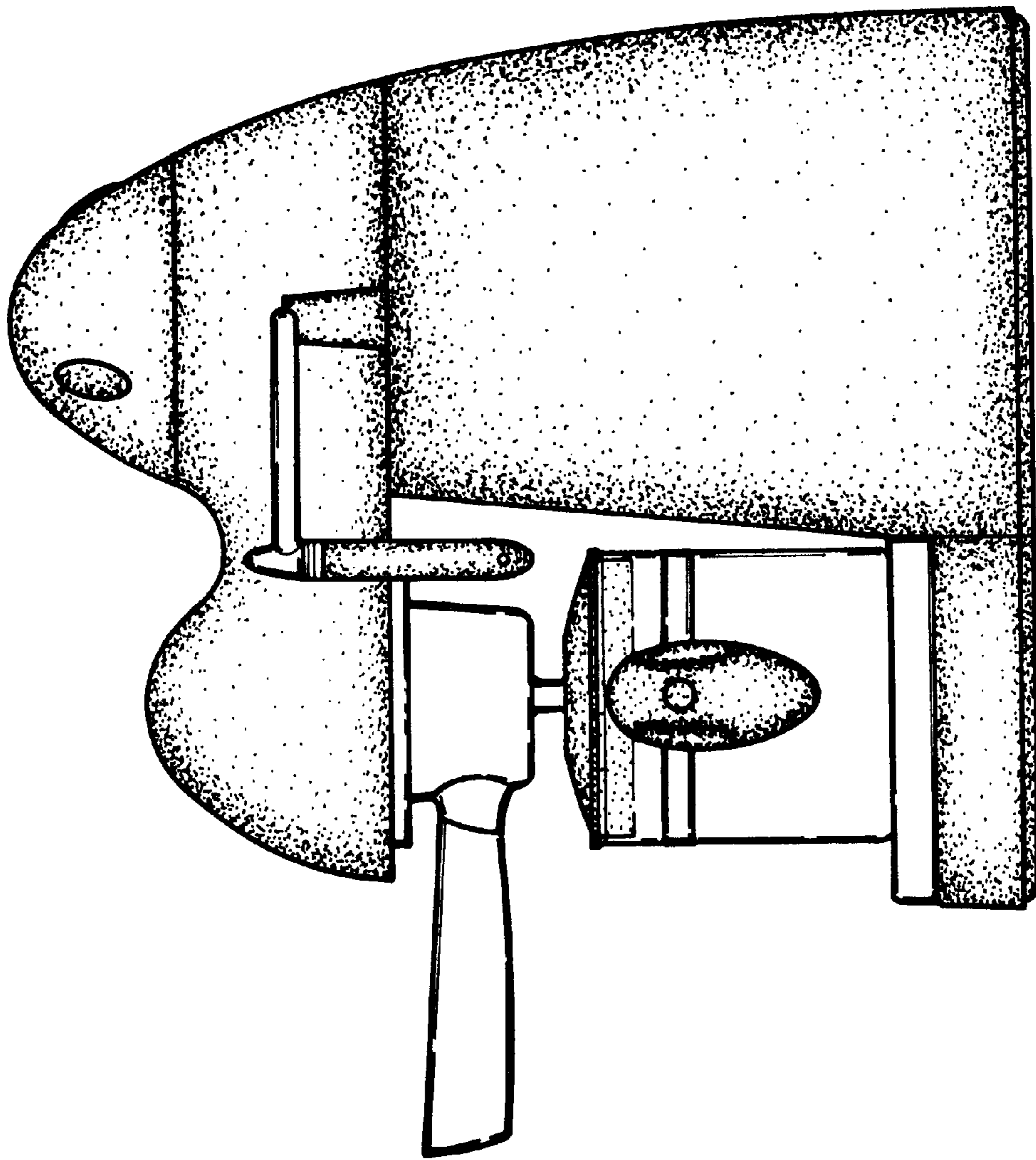


FIG.3

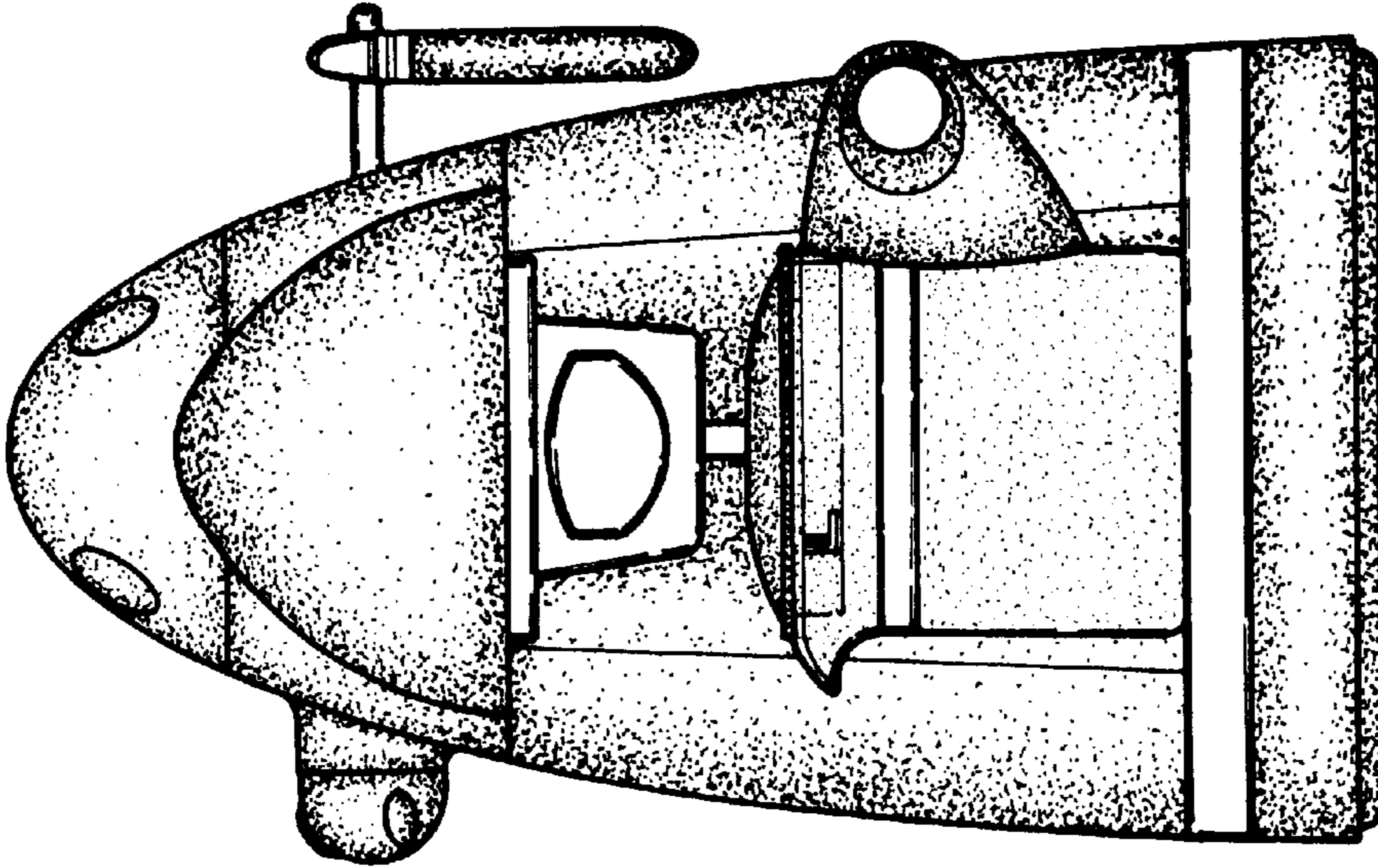


FIG.5

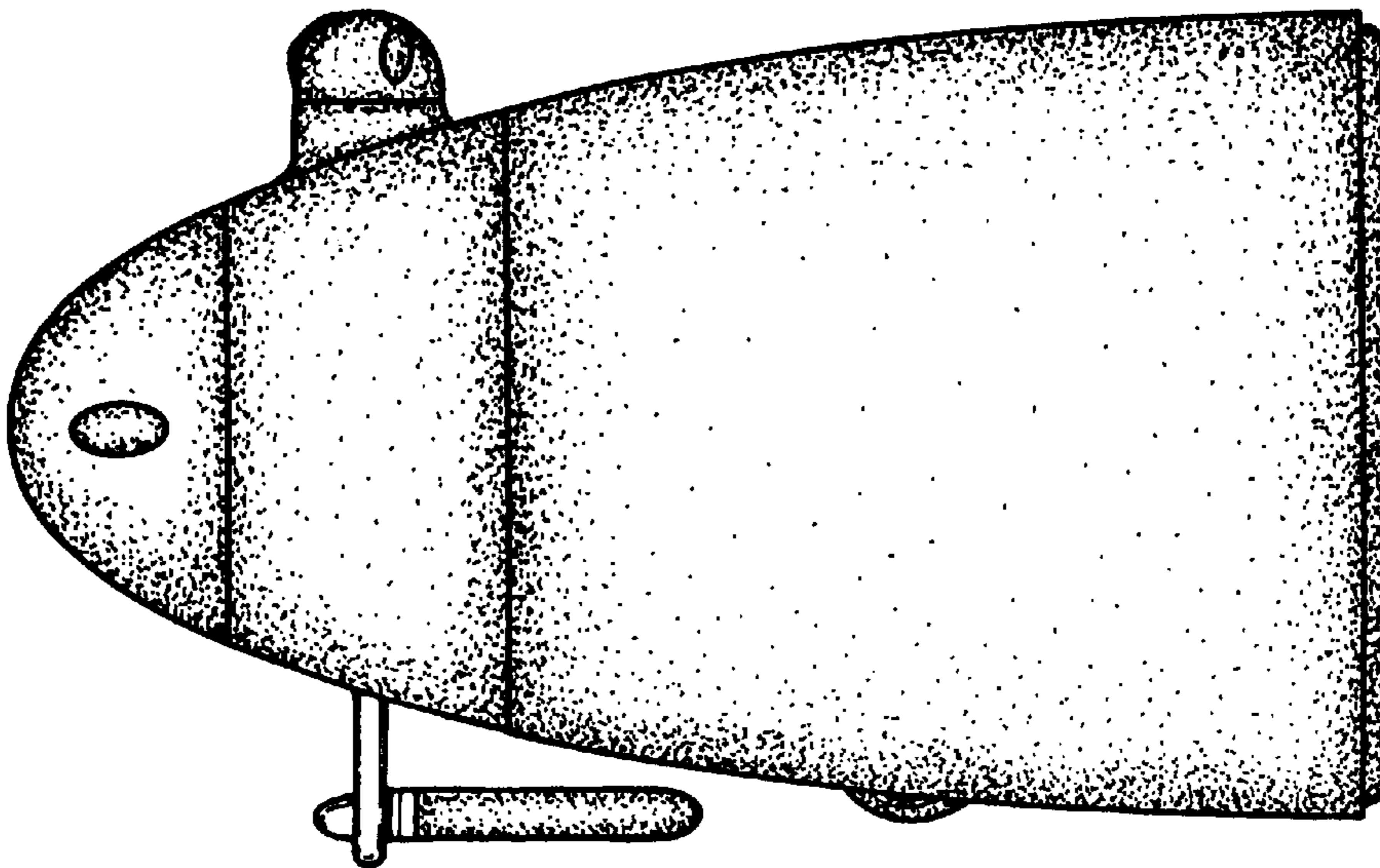


FIG.4

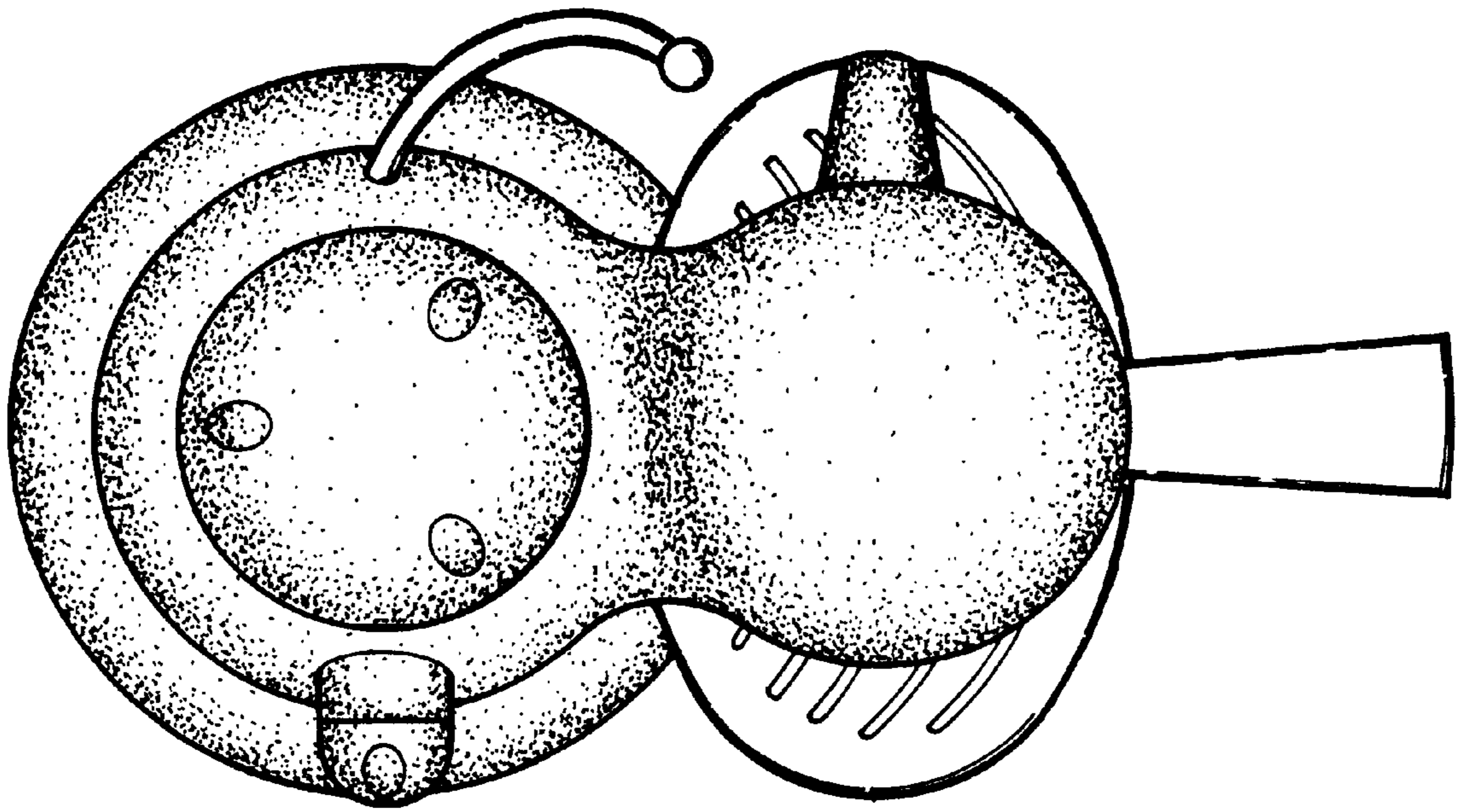


FIG. 6

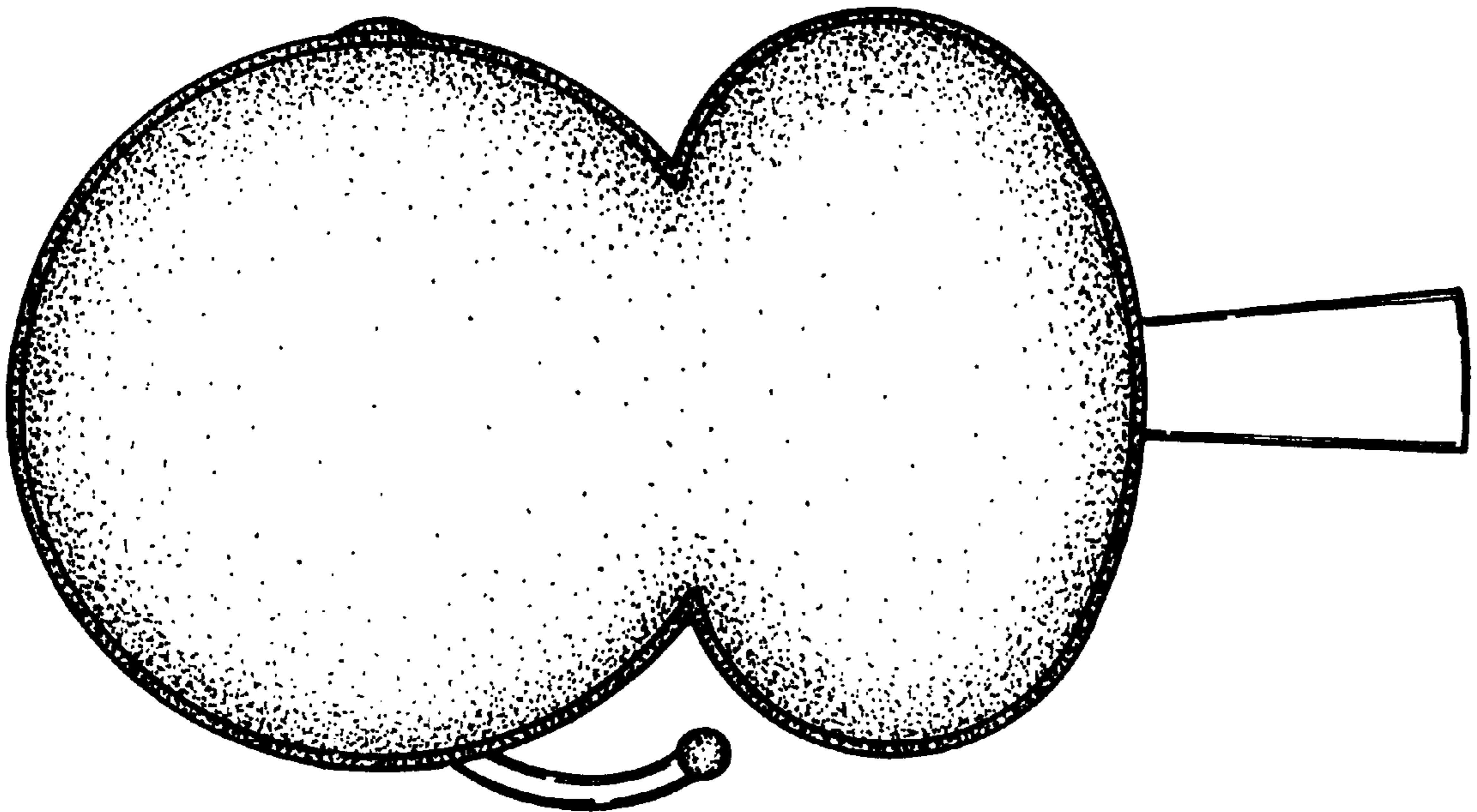


FIG. 7