



US00D426999S

United States Patent [19] Smith

[11] **Patent Number: Des. 426,999**

[45] **Date of Patent: ** Jun. 27, 2000**

[54] **TROPHY AND MEDALLION DISPLAY SHELF**

[76] Inventor: **Michael D. Smith**, P.O. Box 3073, La Mesa, Calif. 91944

[**] Term: **14 Years**

[21] Appl. No.: **29/104,394**

[22] Filed: **May 4, 1999**

D. 355,554	2/1995	Phelps	D6/567
D. 372,847	8/1996	Sparks	D6/574 X
D. 391,795	3/1998	Pellerin	D6/574
D. 405,634	2/1999	Smith	D6/574

Primary Examiner—Brian N. Vinson

[57] CLAIM

I claim the ornamental design for a trophy and medallion display shelf, as shown.

DESCRIPTION

FIG. 1 is a perspective view of the trophy and medallion display shelf;
 FIG. 2 is a front view thereof;
 FIG. 3 is a rear view thereof;
 FIG. 4 is a top view thereof;
 FIG. 5 is a bottom view thereof;
 FIG. 6 is a right side view thereof; and,
 FIG. 7 is a left side view thereof.

Related U.S. Application Data

[63] Continuation of application No. 08/922,860, Sep. 3, 1997.

[51] **LOC (7) Cl.** **08-08**

[52] **U.S. Cl.** **D6/574**

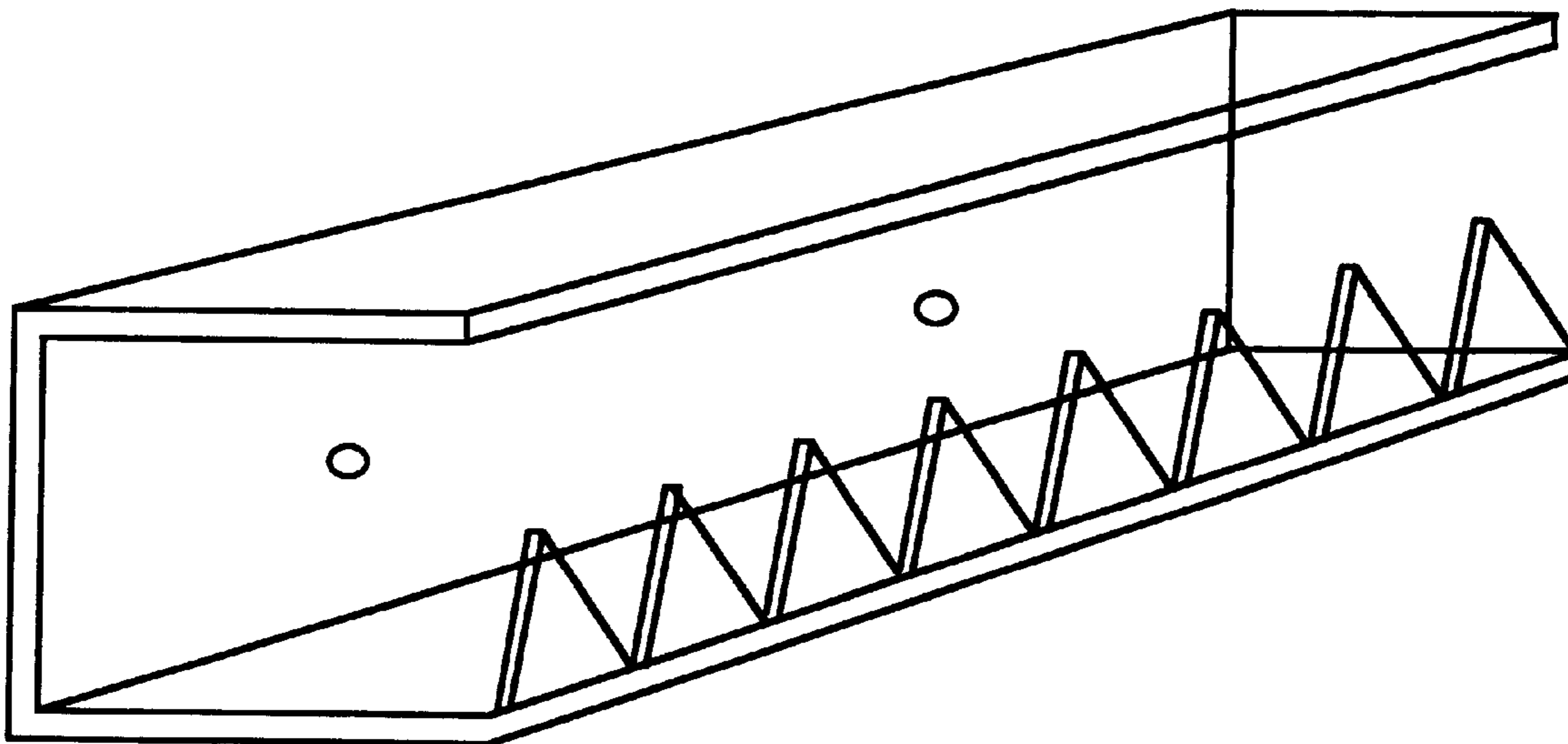
[58] **Field of Search** D6/552, 553, 567,
D6/574; 211/13.1, 71, 85.2, 86-88, 126.1,
134

References Cited

U.S. PATENT DOCUMENTS

D. 340,827 11/1993 Hubbard D6/567

1 Claim, 4 Drawing Sheets



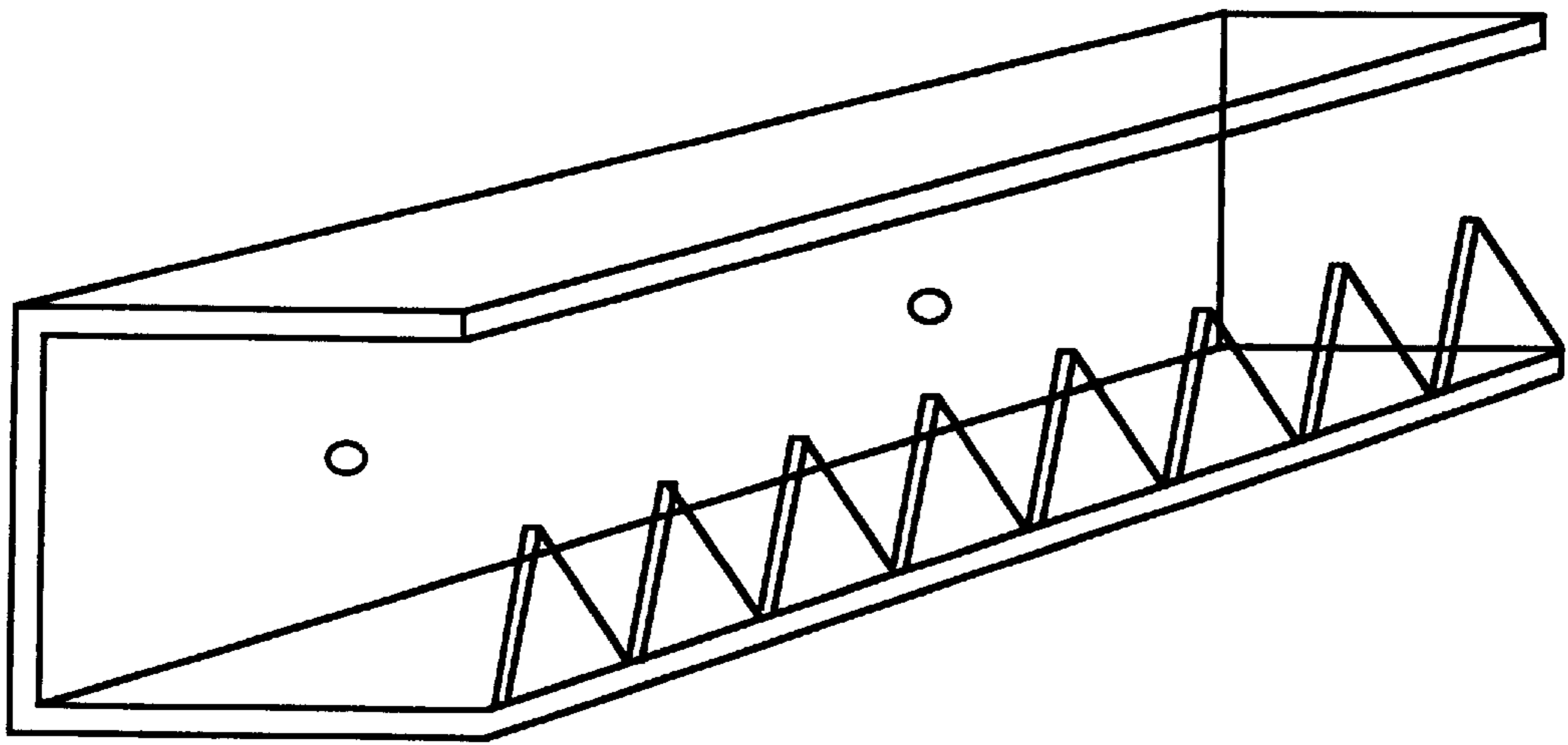


Fig. 1

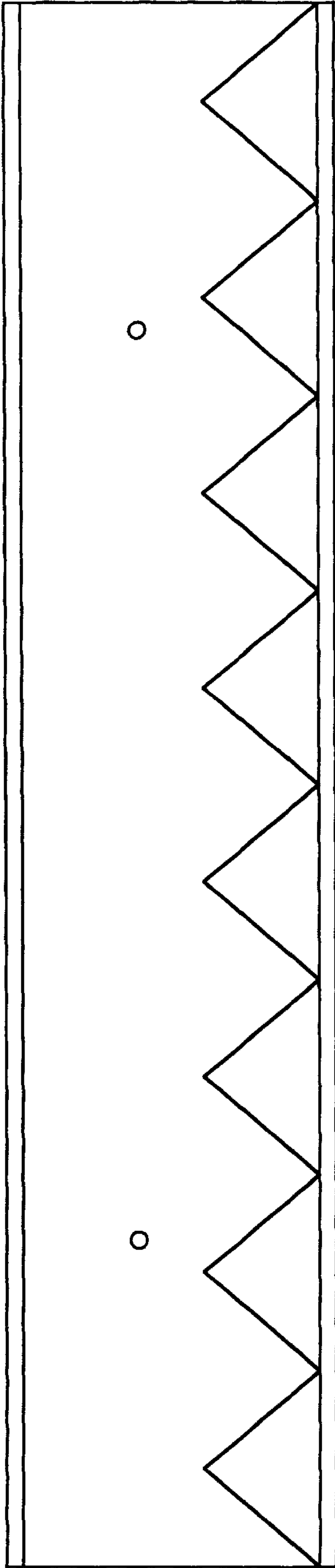


Fig. 2

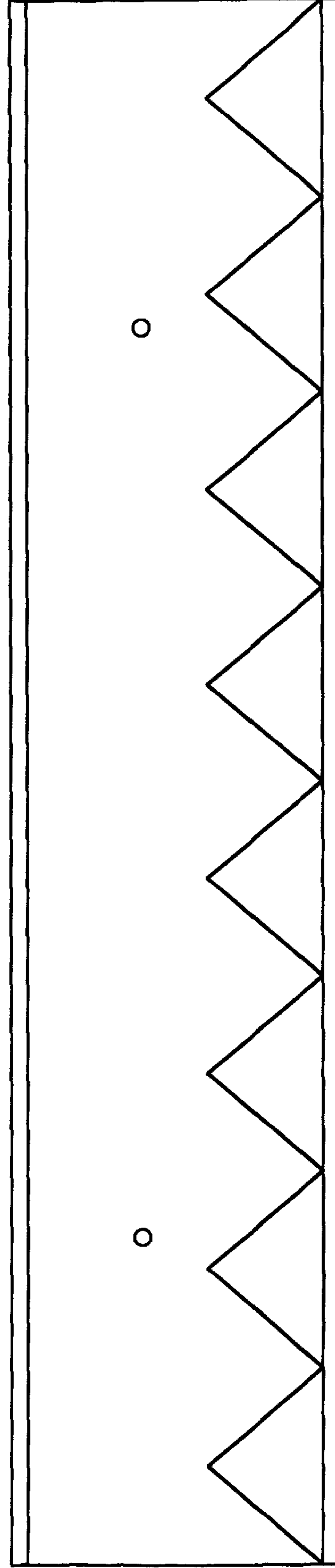


Fig. 3

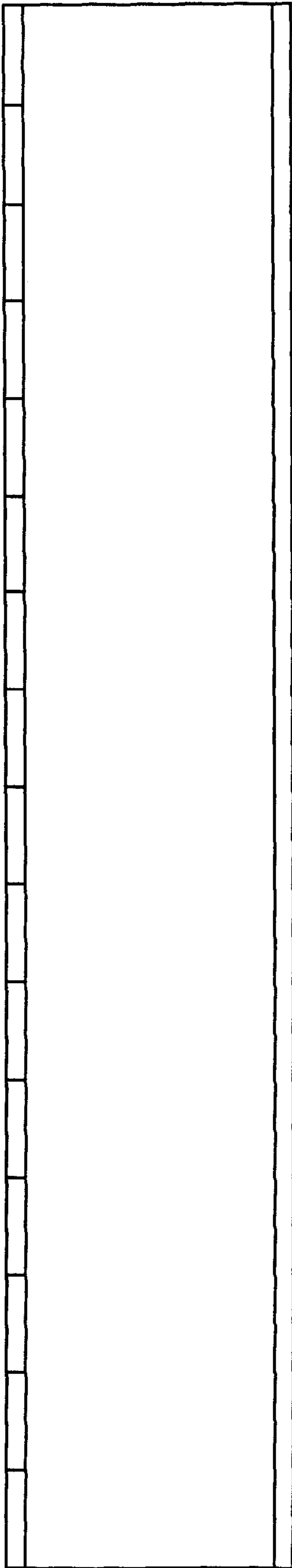


Fig. 4

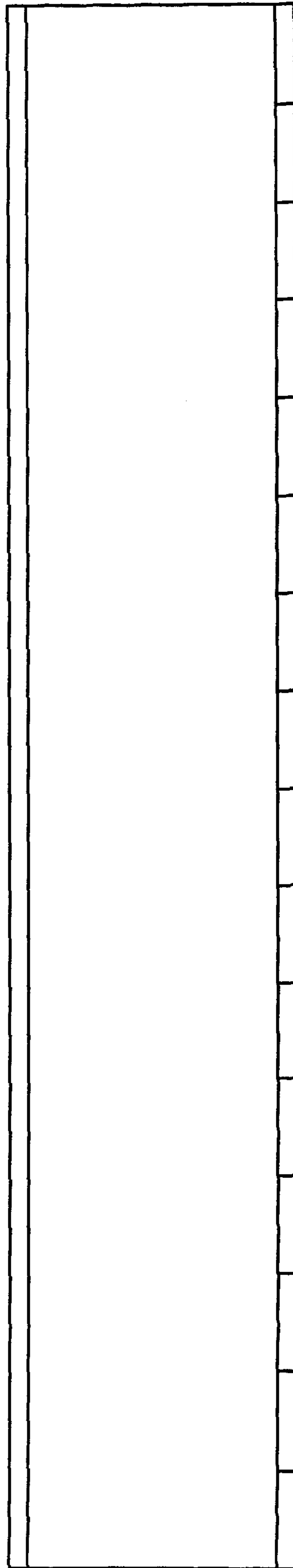


Fig. 5

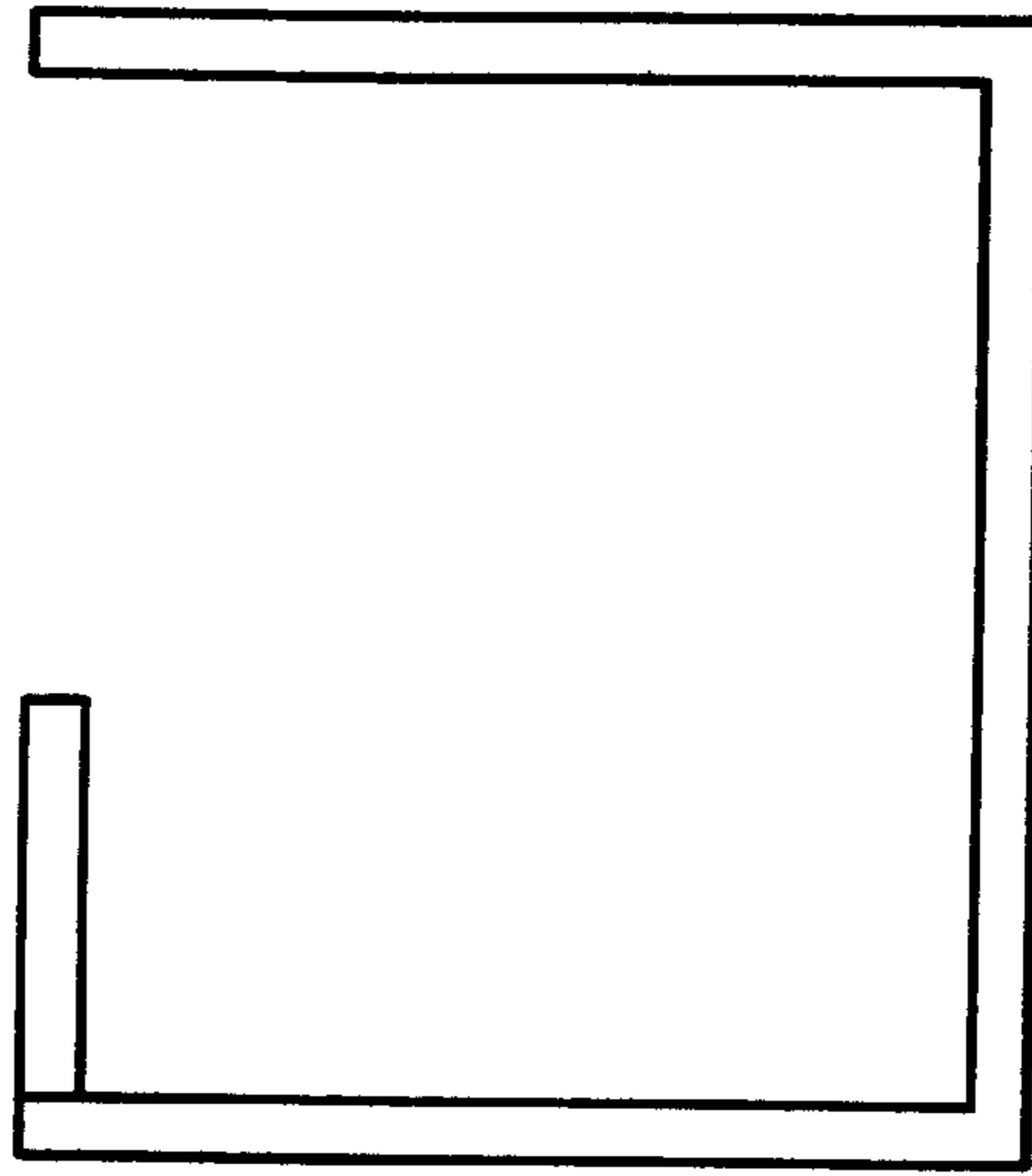


Fig. 6

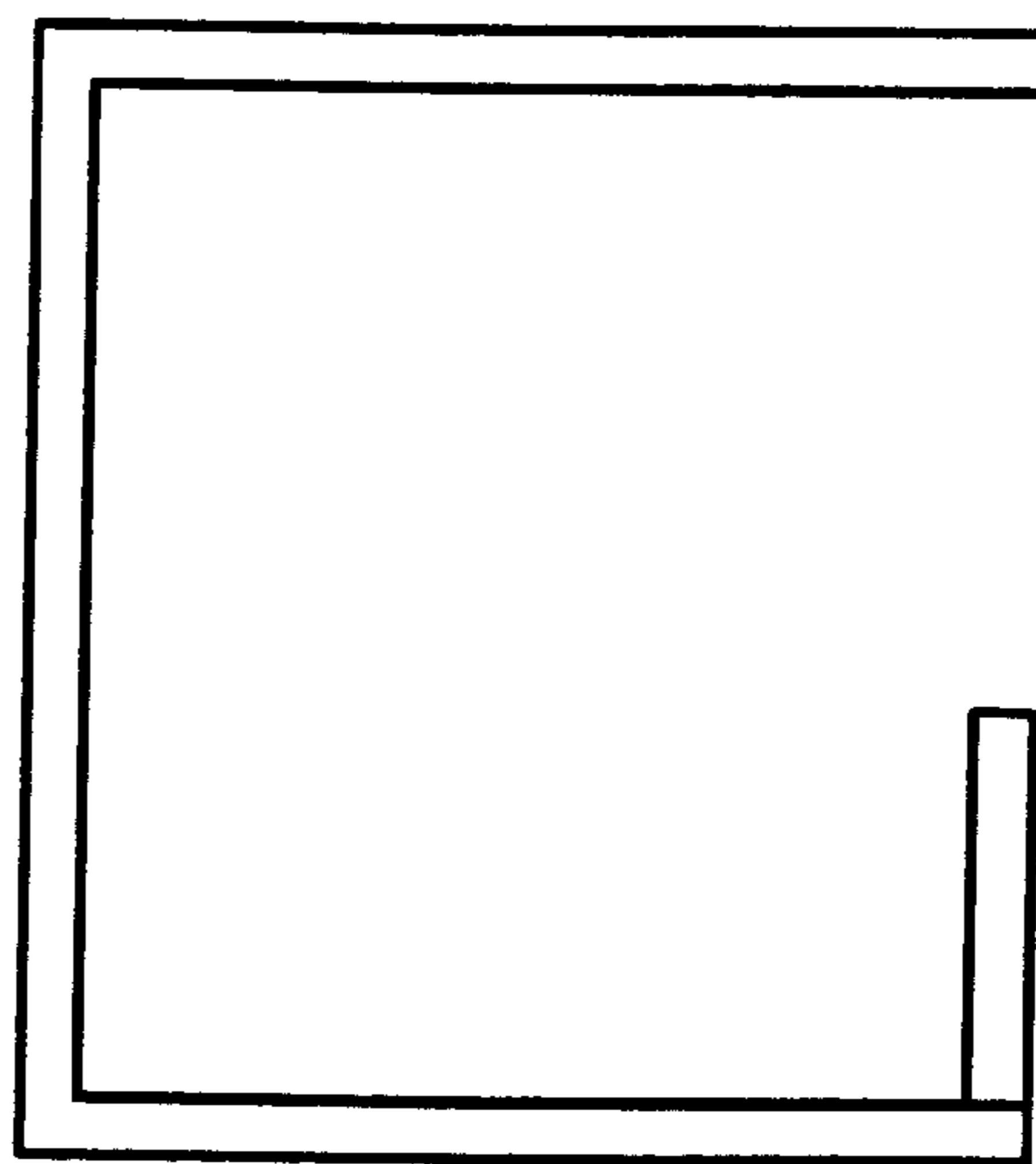


Fig. 7