



US00D426997S

United States Patent [19]

Casner

[11] **Patent Number: Des. 426,997**

[45] **Date of Patent: ** Jun. 27, 2000**

[54] **RACK FOR SUSPENSION OF PERIODICALS AND OTHER ITEMS**

[76] Inventor: **Hal Casner**, 5380 Riosa Rd., Sheridan, Calif. 95681

[**] Term: **14 Years**

[21] Appl. No.: **29/105,498**

[22] Filed: **May 26, 1999**

[51] **LOC (7) Cl.** **06-04**

[52] **U.S. Cl.** **D6/566; D6/570**

[58] **Field of Search** D6/553, 566, 567, D6/569, 570, 410; 248/251, 317; 211/13.1, 45, 48, 86, 87, 181.1, 182

[56] **References Cited**

U.S. PATENT DOCUMENTS

D. 358,508	5/1995	Levine	D6/410
D. 410,356	6/1999	Ardito	D6/410 X
3,094,216	6/1963	Gordon	211/45 X

Primary Examiner—Brian N. Vinson
Attorney, Agent, or Firm—Heisler & Associates

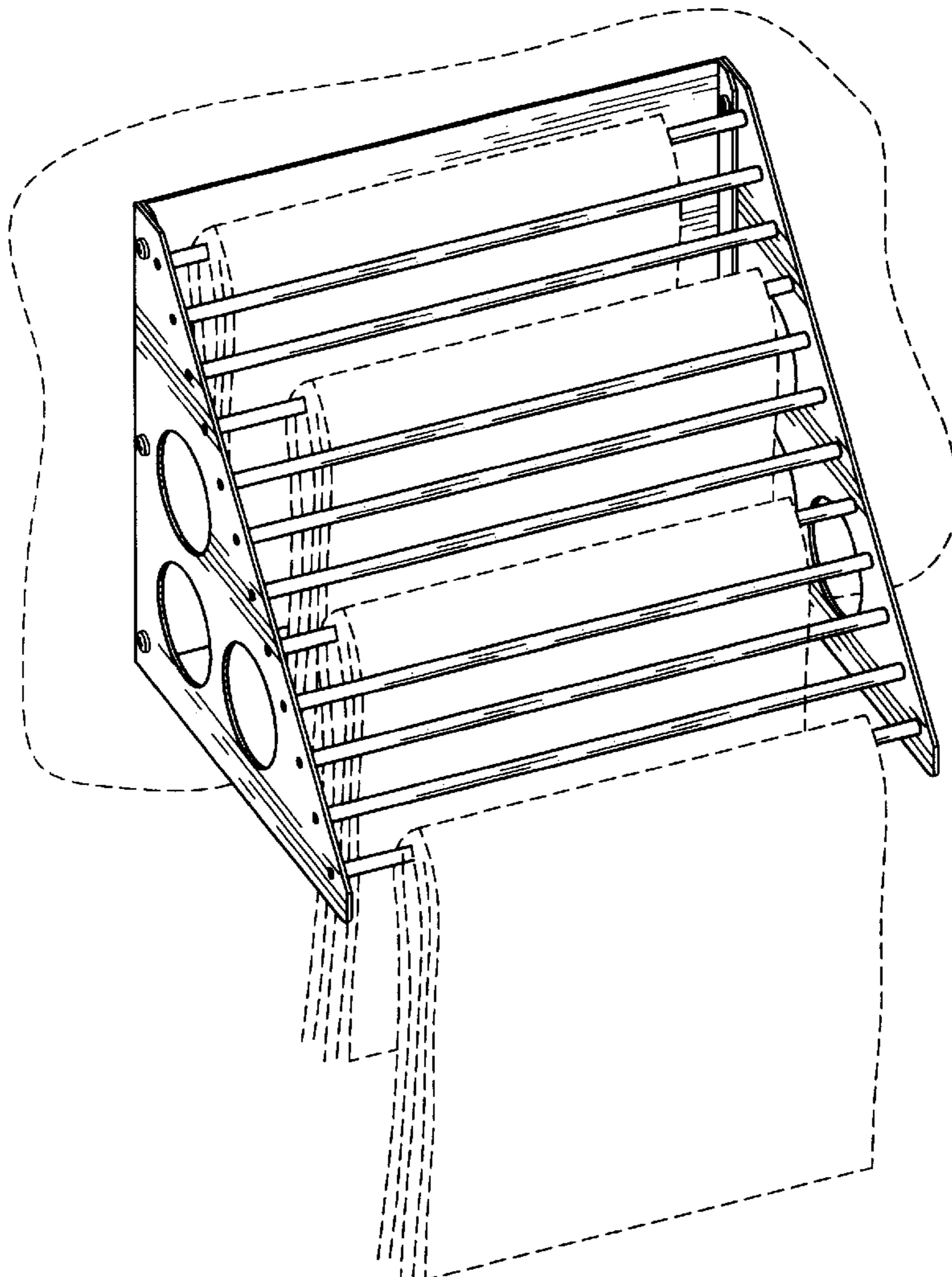
[57] **CLAIM**

I claim the ornamental design for a rack for suspension of periodicals and other items.

DESCRIPTION

FIG. 1 is a perspective view of the invention;
FIG. 2 is a right side view of the invention, the left side view being a mirror image;
FIG. 3 is a top plan view of the invention;
FIG. 4 is a front elevation view of the invention;
FIG. 5 is a bottom plan view of the invention;
FIG. 6 is a rear elevation view of the invention; and,
FIG. 7 is a perspective view of the invention in use mounted to a wall and with periodicals suspended therefrom.
The broken lines in FIG. 7 are for purposes of illustration only and form no part of the claimed design.

1 Claim, 2 Drawing Sheets



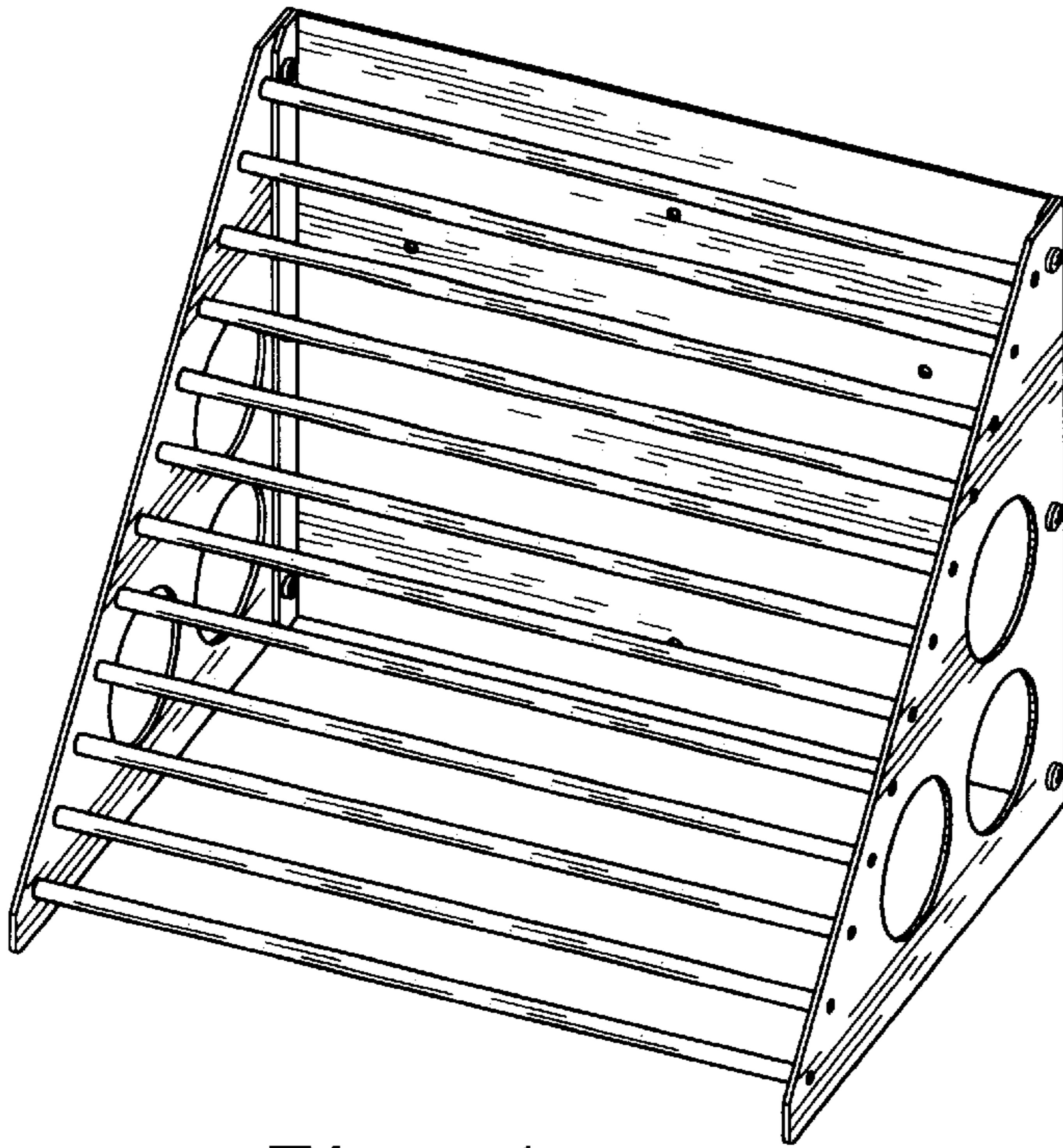


Fig. 1

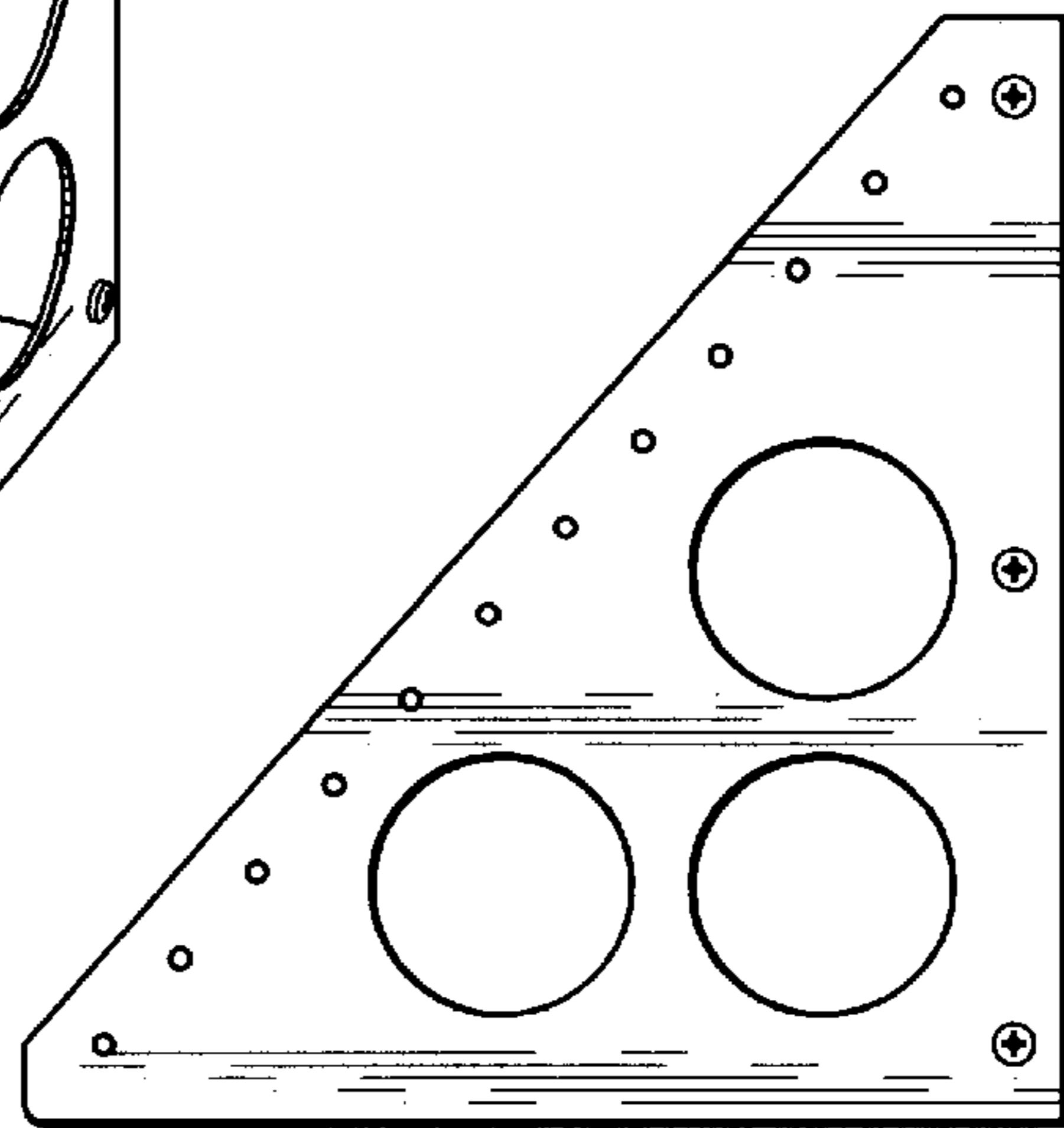


Fig. 2

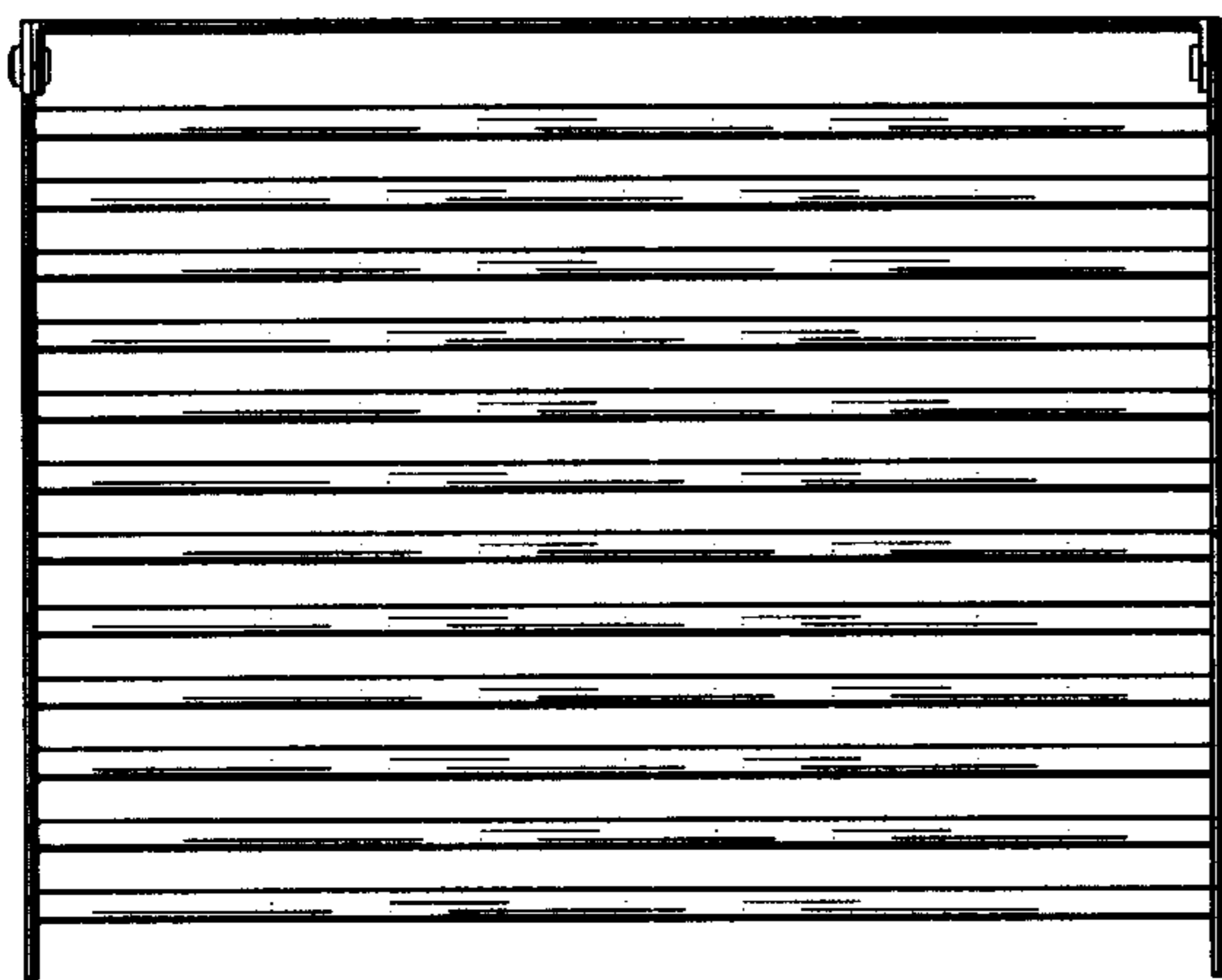


Fig. 3

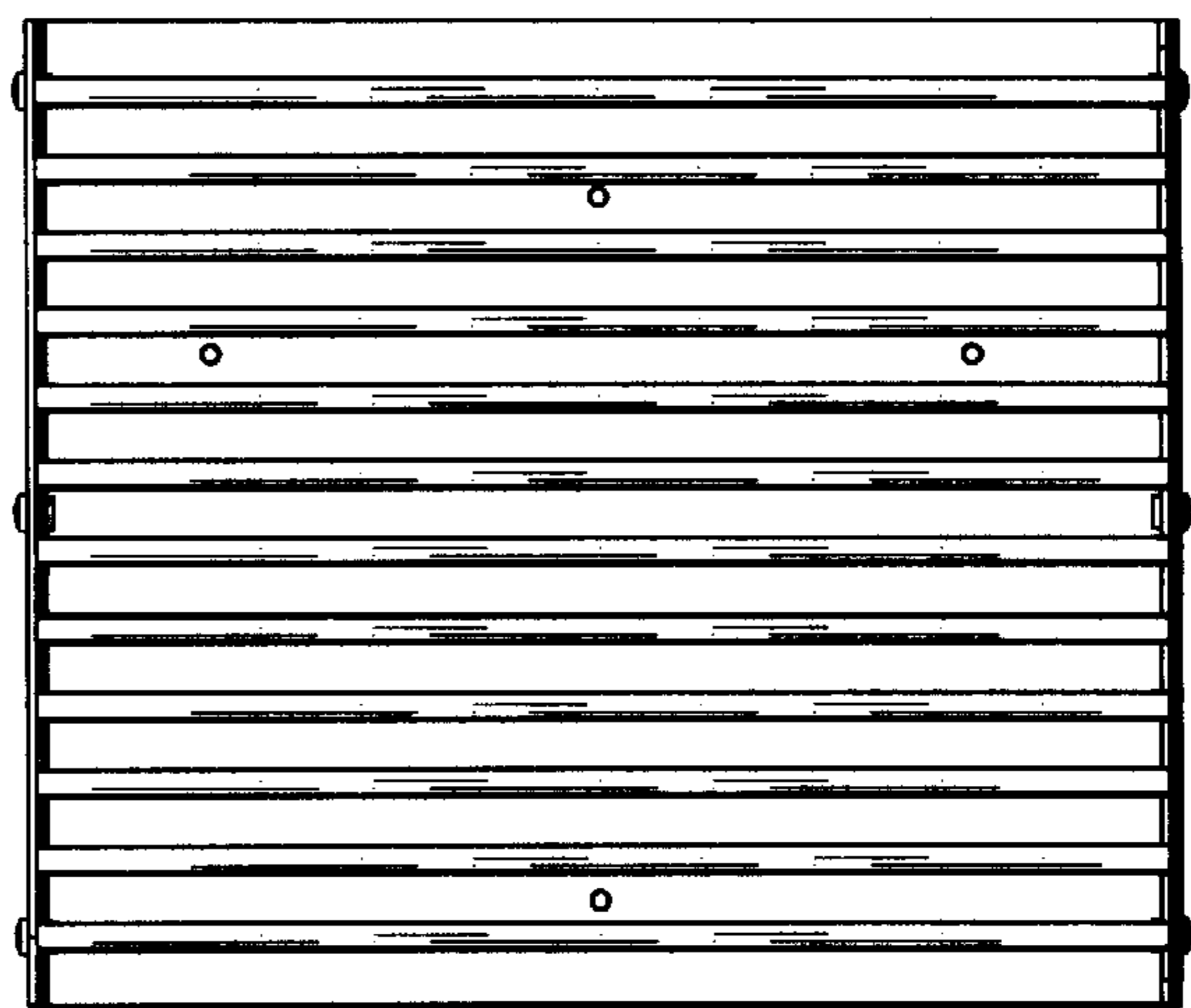


Fig. 4

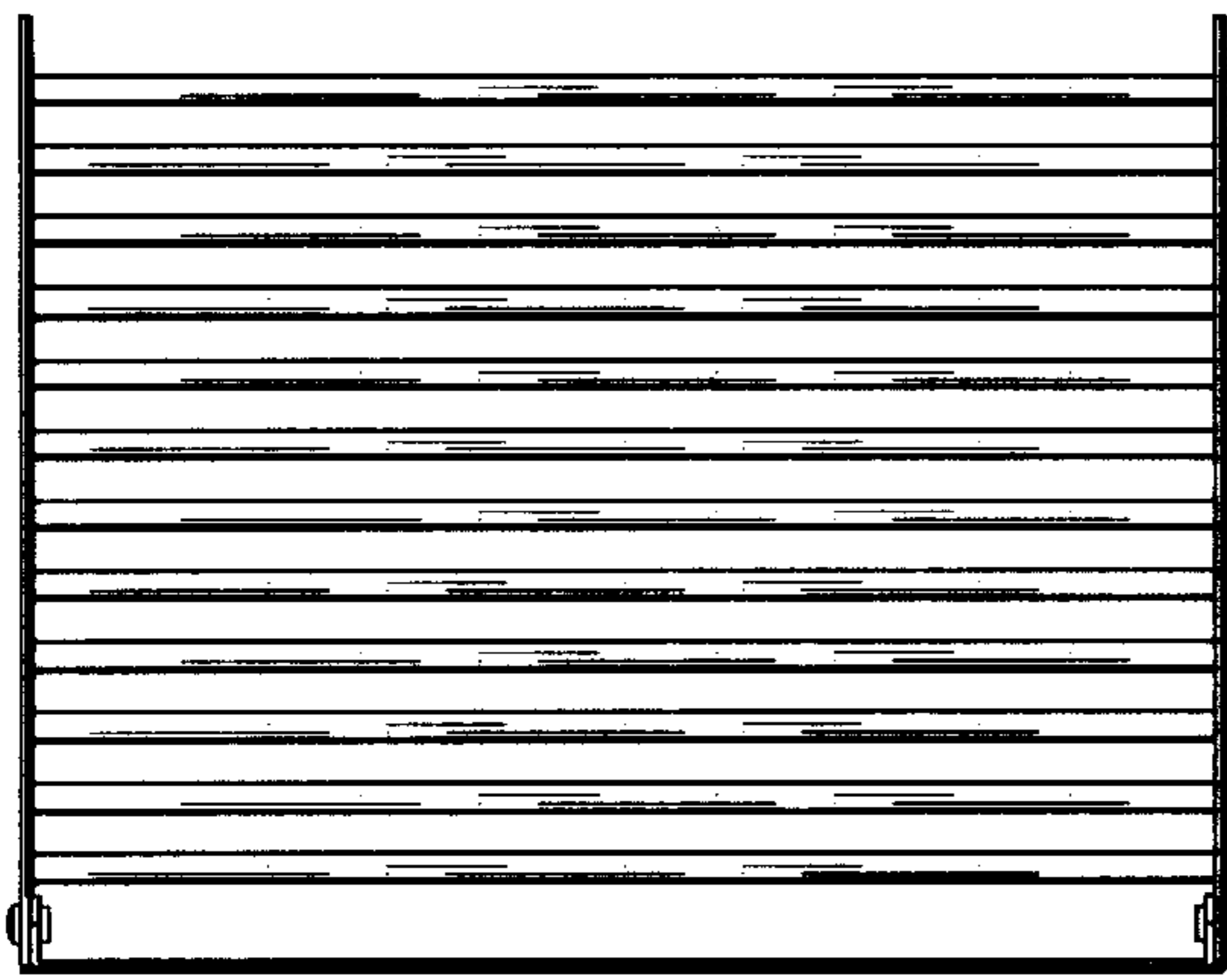


Fig. 5

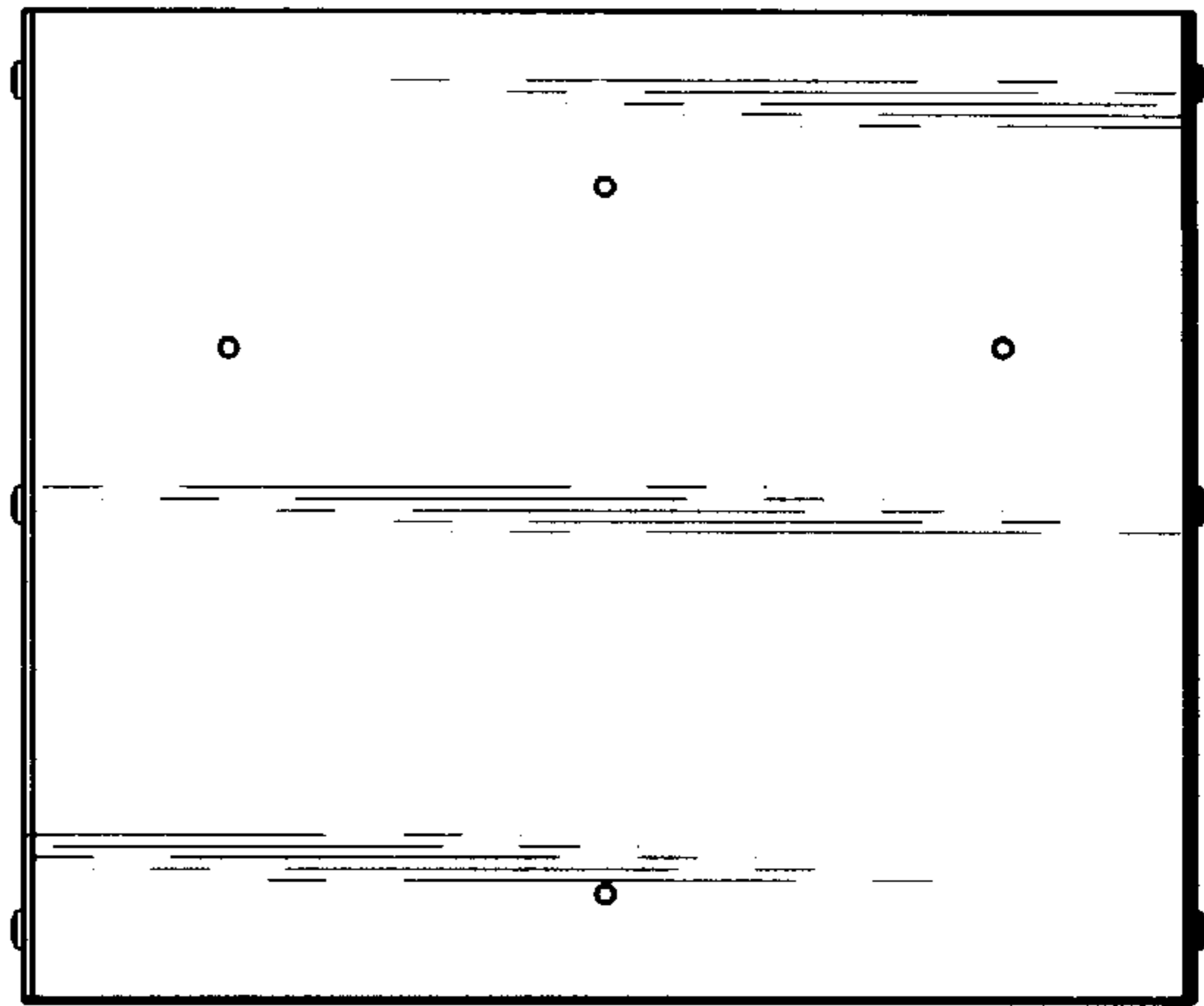


Fig. 6

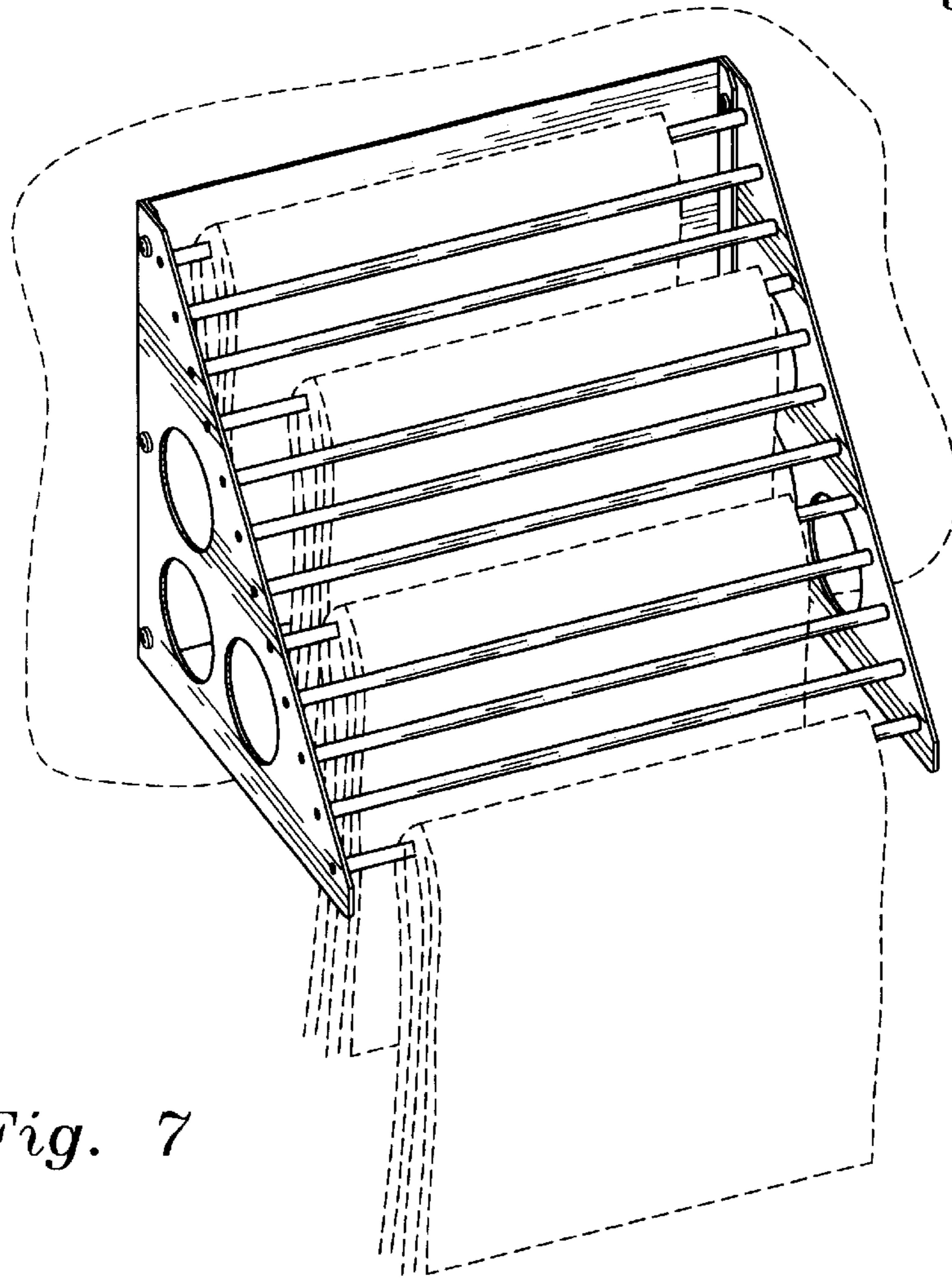


Fig. 7