



US00D426996S

United States Patent [19]

[11] **Patent Number: Des. 426,996**

Kourembanas

[45] **Date of Patent: ** Jun. 27, 2000**

[54] **WALL MOUNTED DISPLAY AND CARRYING CASE**

4,160,570 7/1979 Bridges .
4,746,009 5/1988 Liberman .
4,838,445 6/1989 Lanius .

[76] Inventor: **Eleni Kourembanas**, 76 Spencer St.,
Lynn, Mass. 01905

Primary Examiner—Brian N. Vinson
Attorney, Agent, or Firm—Joseph R. Birkner

[**] Term: **14 Years**

[57] CLAIM

[21] Appl. No.: **29/094,890**

The ornamental design for a wall mounted display and carrying case, as shown and described.

[22] Filed: **Oct. 13, 1998**

DESCRIPTION

[51] **LOC (7) Cl.** **06-04**

[52] **U.S. Cl.** **D6/559**

[58] **Field of Search** D6/559, 561; D3/201,
D3/202, 203, 254; 211/86, 87; 312/242,
245

FIG. 1 is a top, front, and right side perspective view of a wall mounted display and carrying case showing my new design;

FIG. 2 is a front elevational view thereof;

FIG. 3 is a rear elevational view thereof;

FIG. 4 is a top plan view thereof;

FIG. 5 is a bottom plan view thereof;

FIG. 6 is a left side elevational view thereof;

FIG. 7 is a right side elevational view thereof; and,

FIG. 8 is an additional top, front, and right side perspective view thereof.

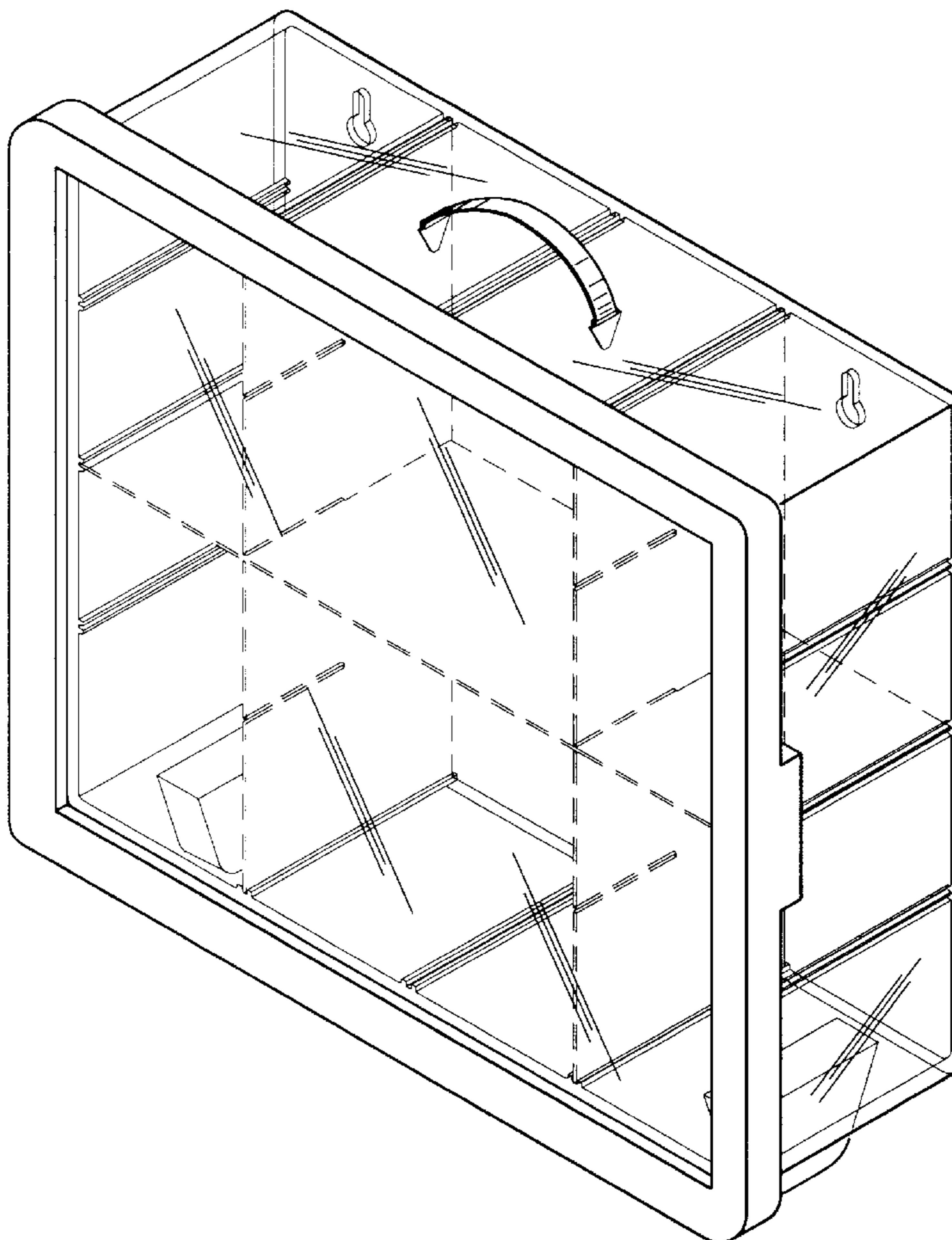
The broken-line disclosure of insertable dividers and supports in the views are for illustrative purposes only and form no part of the claimed design.

[56] References Cited

U.S. PATENT DOCUMENTS

- D. 268,155 3/1983 Sumner .
- D. 283,087 3/1986 Lutz .
- D. 306,947 4/1990 Sanfilippo D6/559
- D. 308,147 5/1990 Pei-Ai .
- D. 380,117 6/1997 Smith .
- D. 393,939 5/1998 Greger D6/559
- D. 398,107 9/1998 Ratcliff D6/559
- D. 419,769 2/2000 Germano D6/559
- 3,554,429 1/1971 Cohen .

1 Claim, 5 Drawing Sheets



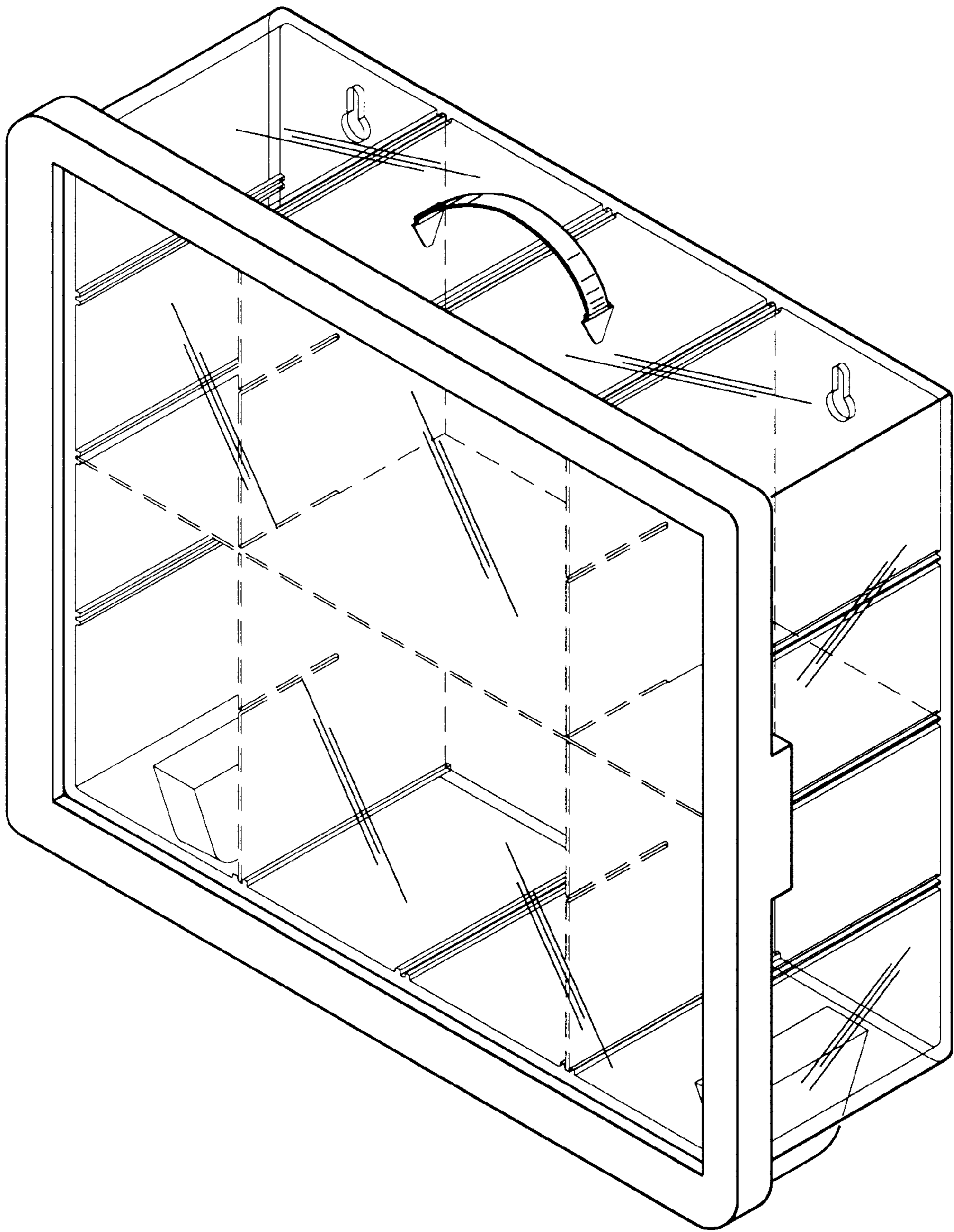


FIG. 1

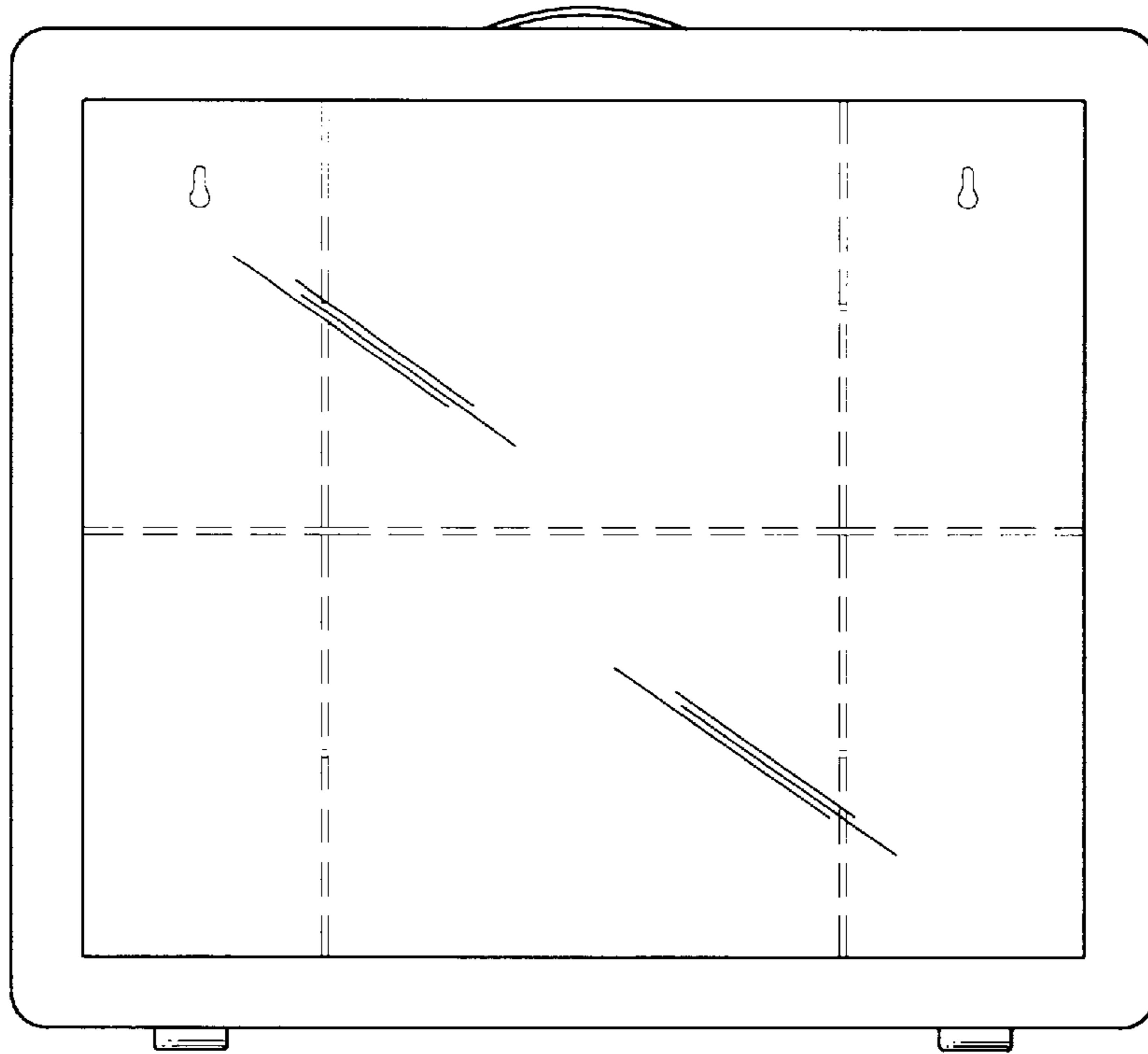


FIG. 2

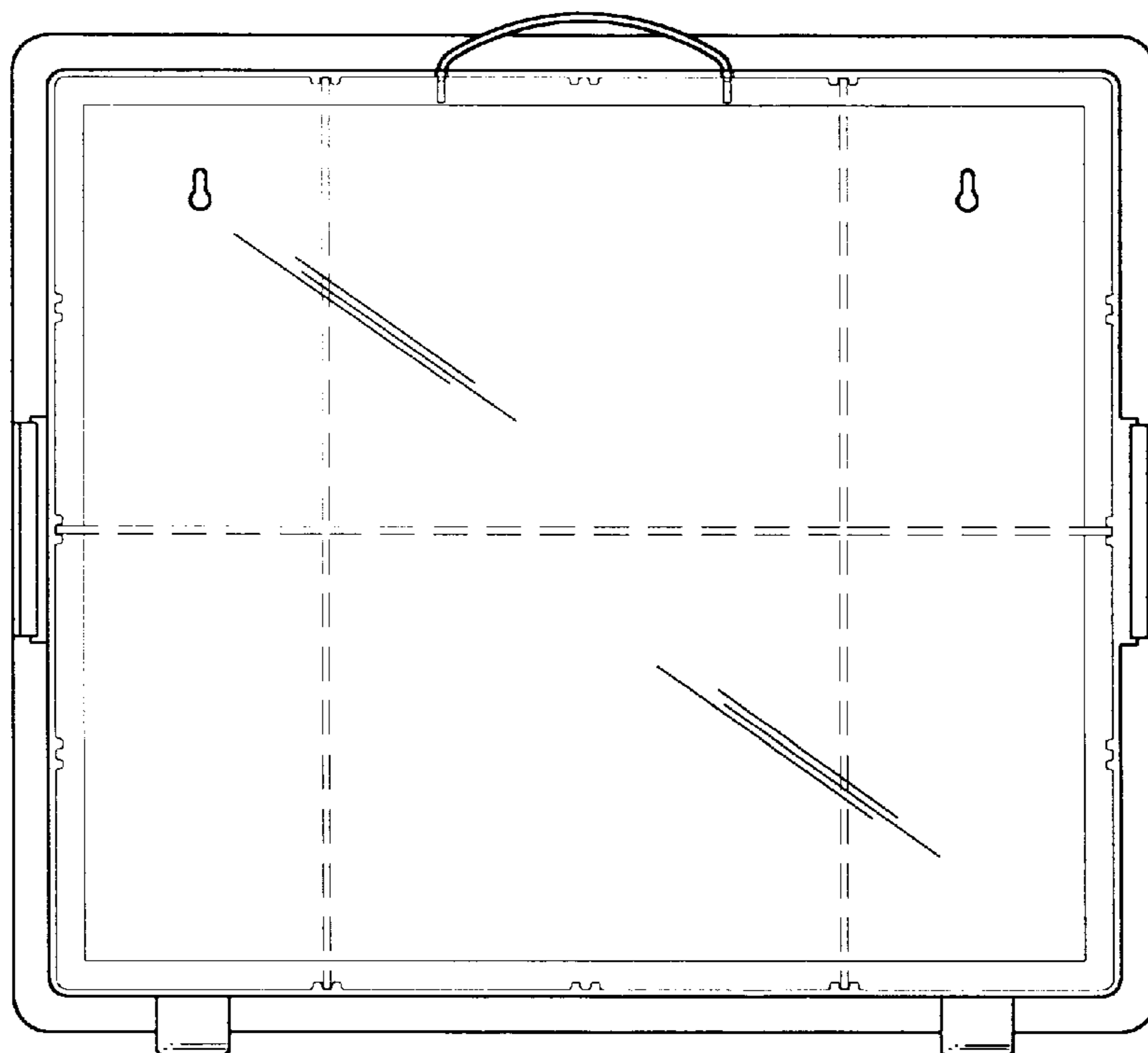


FIG. 3

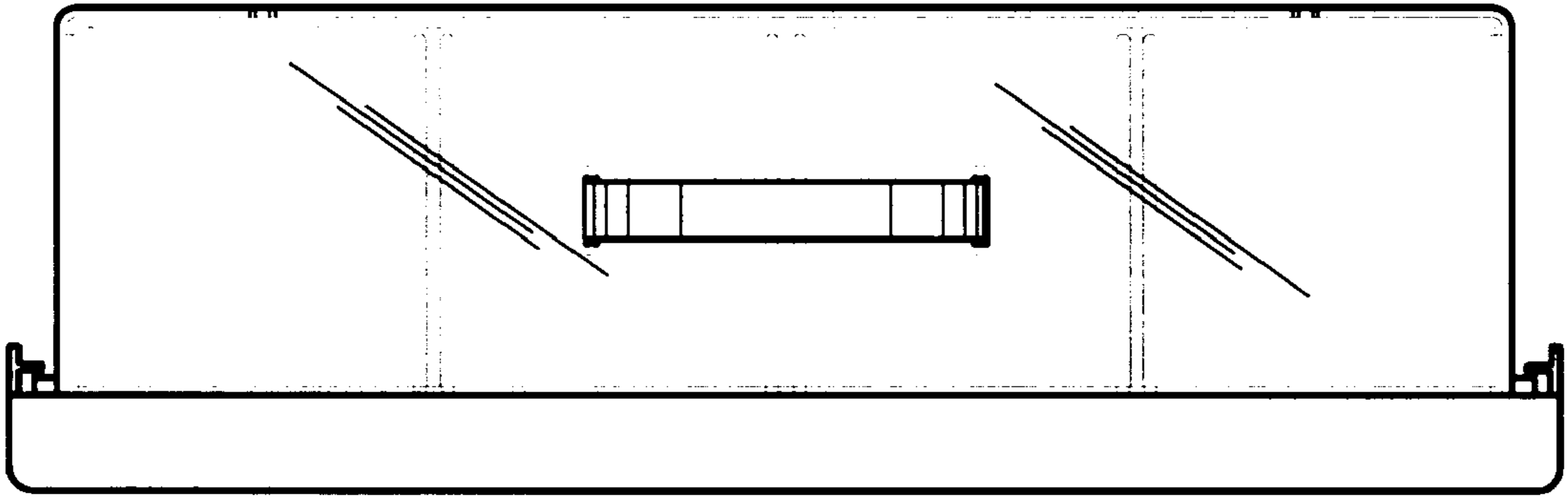


FIG. 4

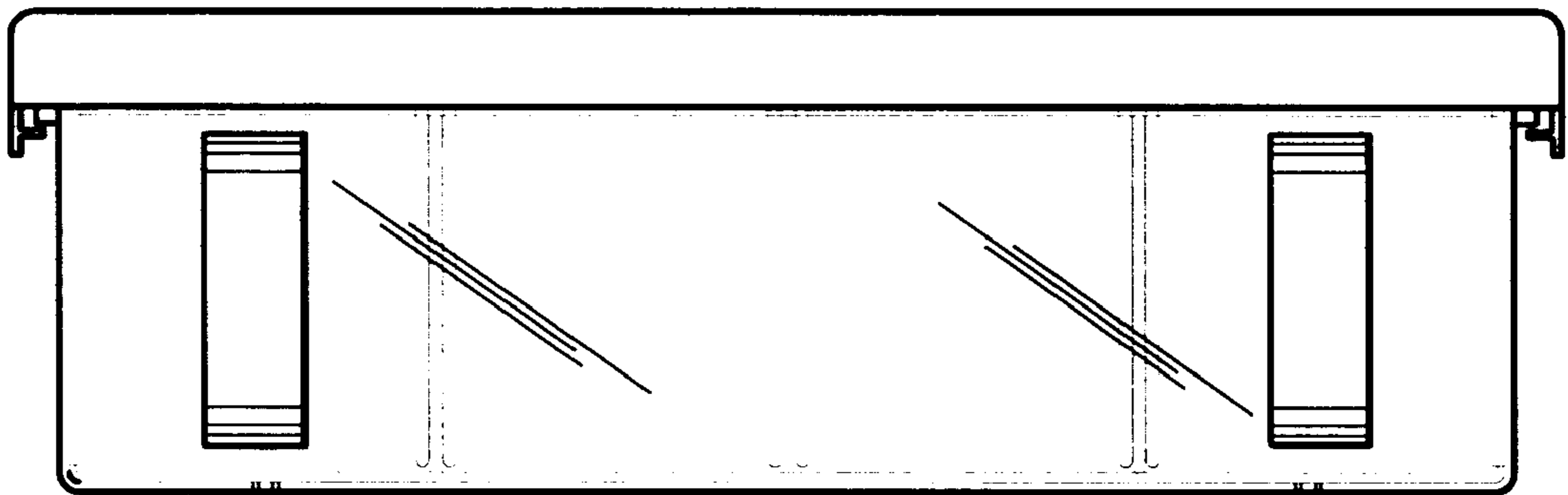


FIG. 5

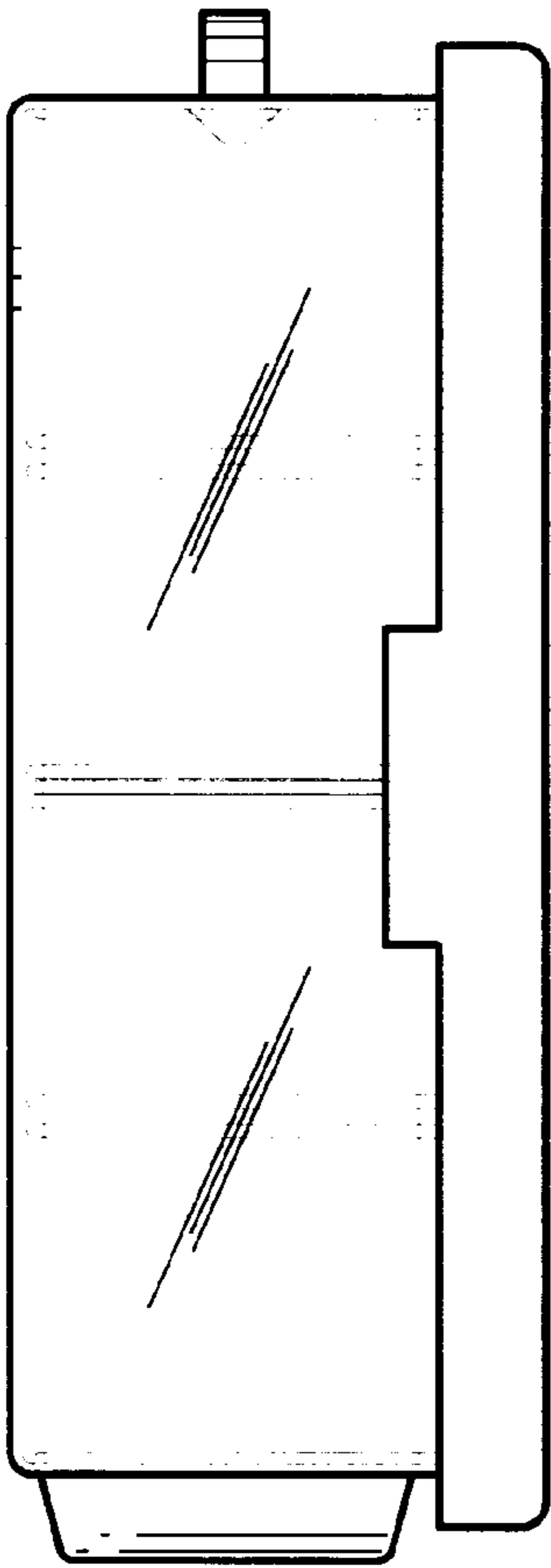


FIG. 7

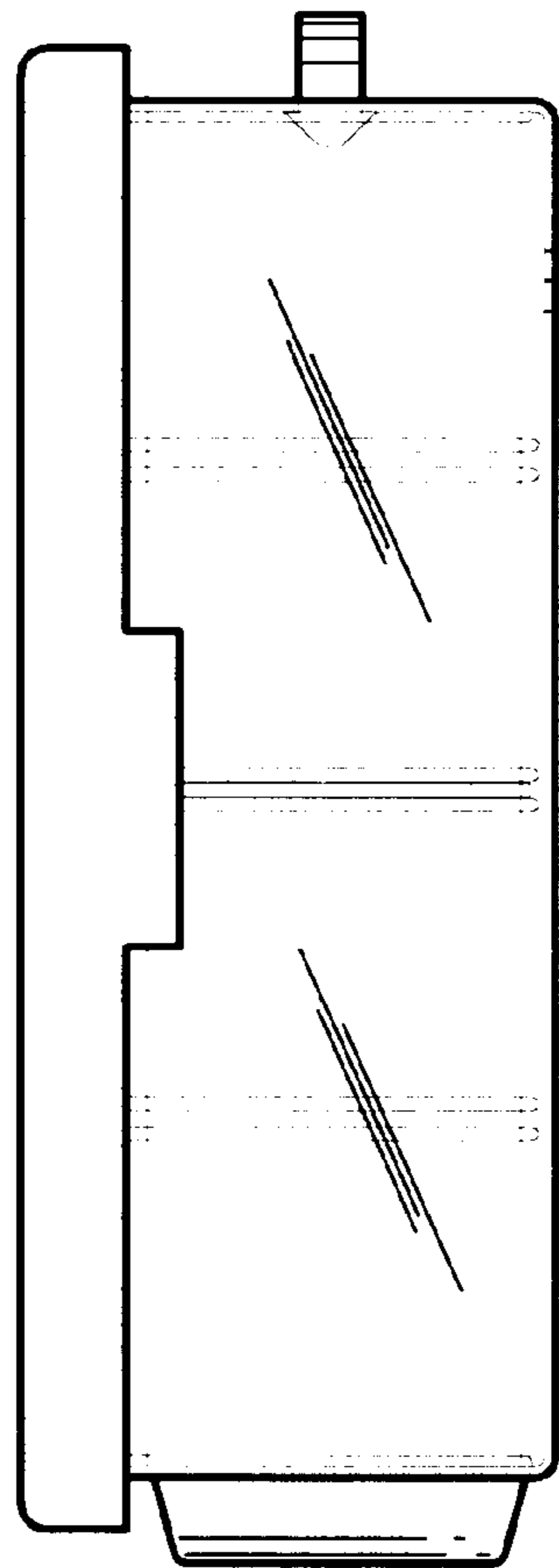


FIG. 6

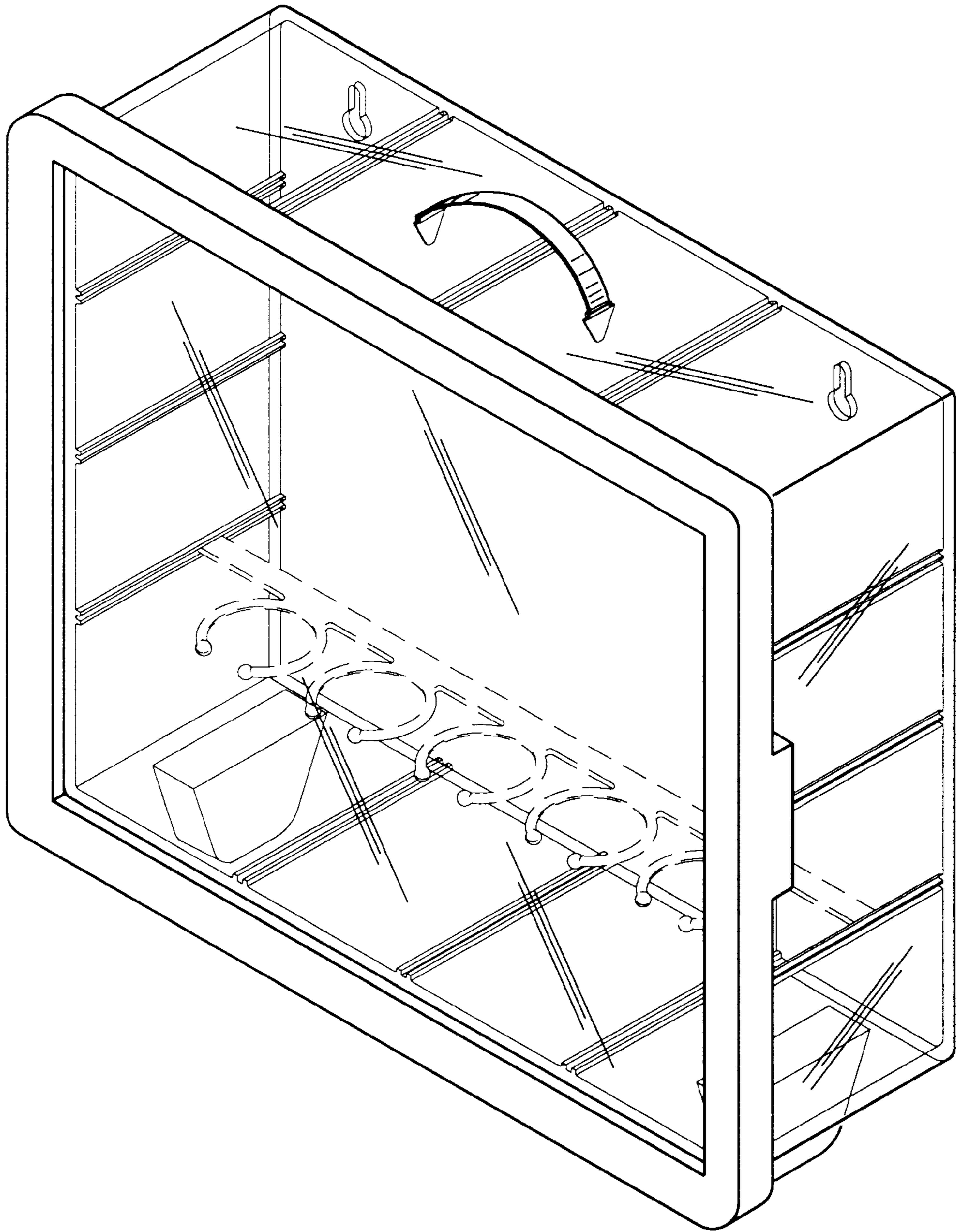


FIG. 8