



US00D426992S

United States Patent [19] Walker

[11] **Patent Number: Des. 426,992**

[45] **Date of Patent: ** Jun. 27, 2000**

[54] **PAPER TOWEL HOLDER**

2,222,951 11/1940 Krueger D6/522 X
3,116,030 12/1963 Leotta D6/522 X

[75] Inventor: **David Walker**, Chester, Pa.

[73] Assignee: **Zenith Products Corp.**, New Castle, Del.

Primary Examiner—Brian N. Vinson
Attorney, Agent, or Firm—Edgar A. Zarins; Lloyd D. Doigan

[**] Term: **14 Years**

[57] CLAIM

[21] Appl. No.: **29/101,744**

The ornamental design for a paper towel holder, as shown and described.

[22] Filed: **Mar. 10, 1999**

DESCRIPTION

[51] **LOC (7) Cl.** **07-07**

[52] **U.S. Cl.** **D6/522**

[58] **Field of Search** D6/518-523; 206/289;
242/570, 590, 595, 596, 598; 248/309.2;
312/34.8

FIG. 1 is a perspective view of a paper towel holder showing my new design;

FIG. 2 is a front elevational view thereof;

FIG. 3 is a side view thereof, the opposite side being a mirror image of the side shown;

FIG. 4 is a rear elevational view thereof;

FIG. 5 is an end view thereof, the opposite end being a mirror image of the end shown; and,

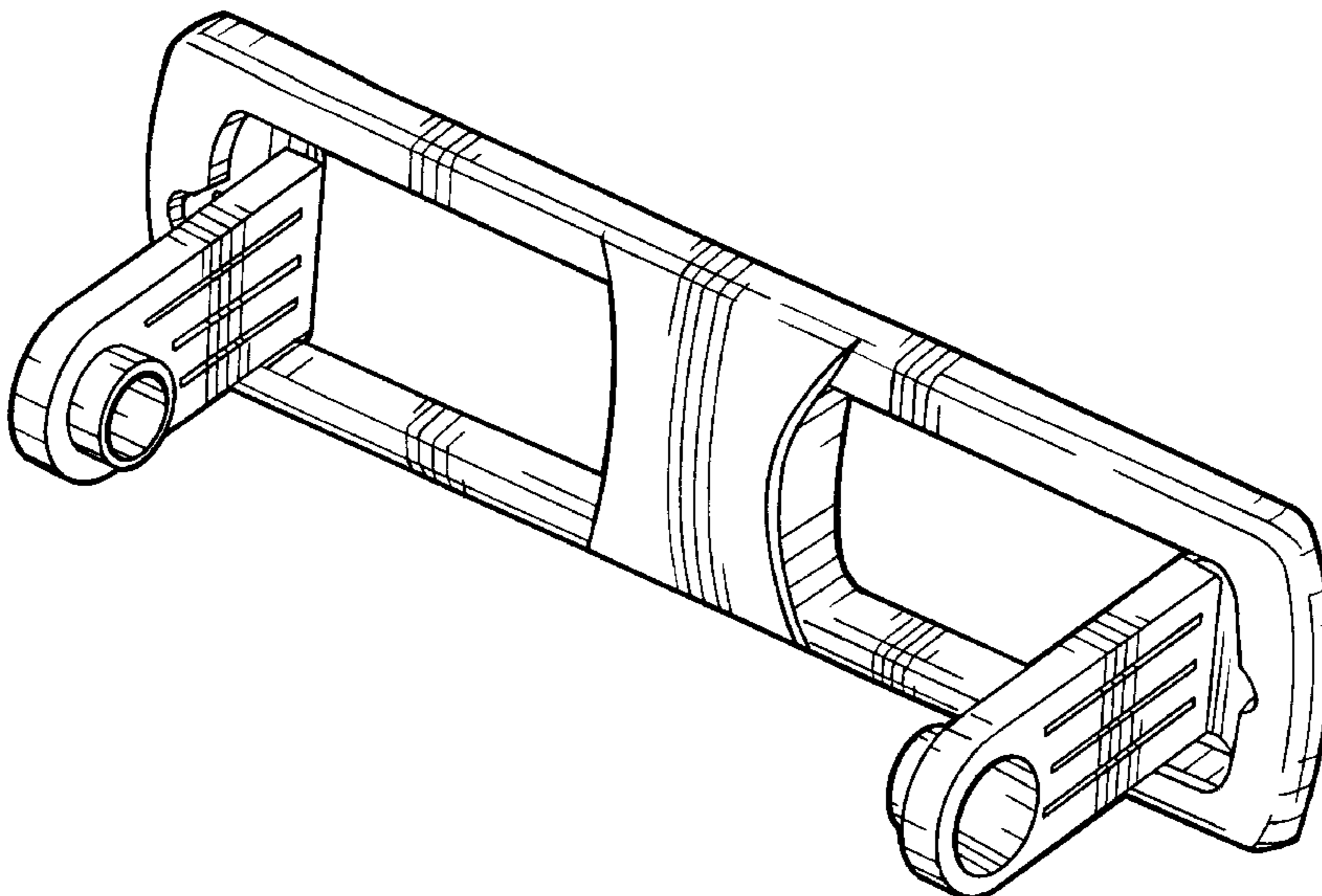
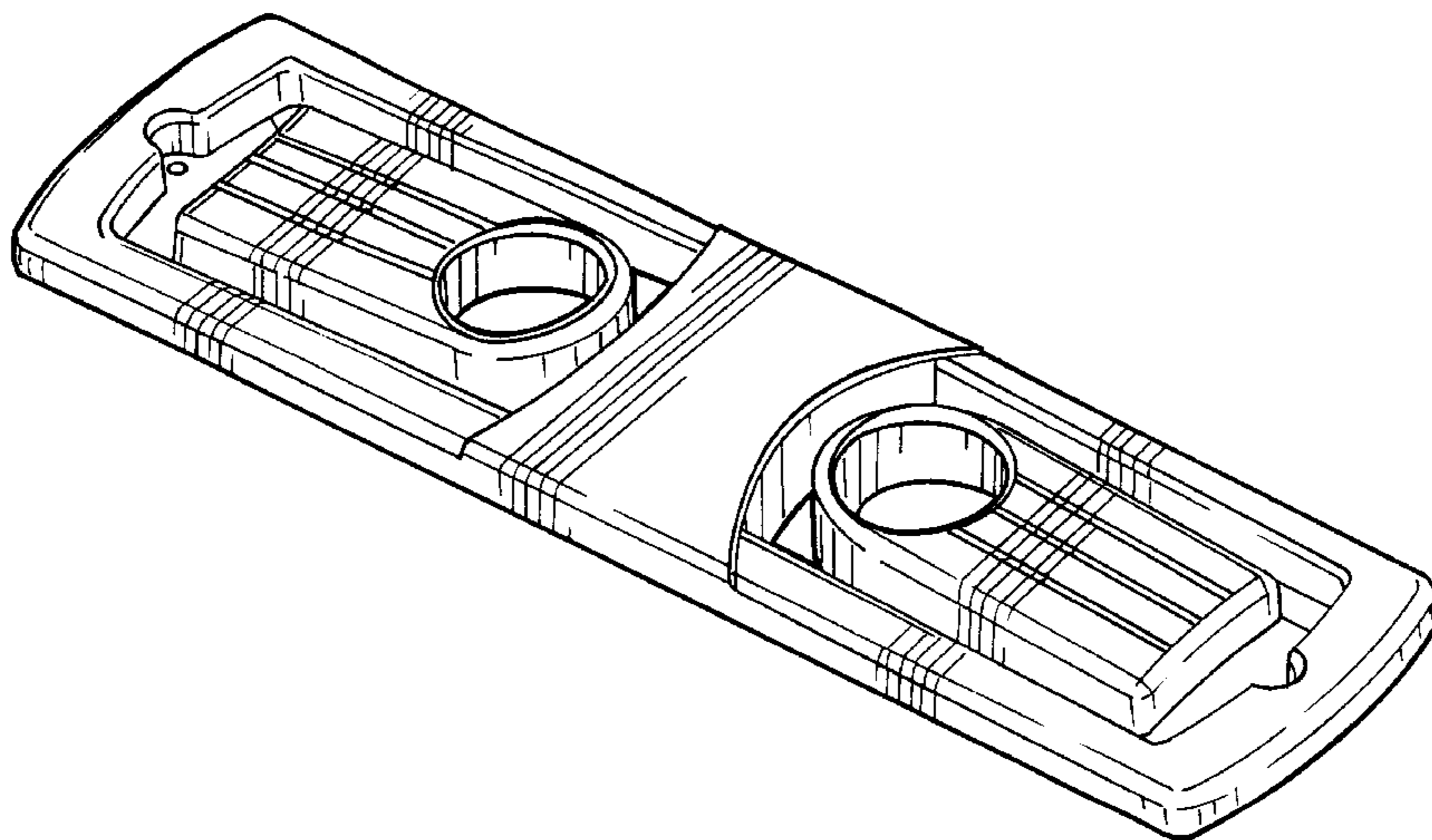
FIG. 6 is a perspective view thereof in an unfolded position.

[56] References Cited

U.S. PATENT DOCUMENTS

- D. 161,199 12/1950 Perelman D6/522
- D. 200,090 1/1965 Bliss D6/522
- D. 264,406 5/1982 Arnott D6/522

1 Claim, 3 Drawing Sheets



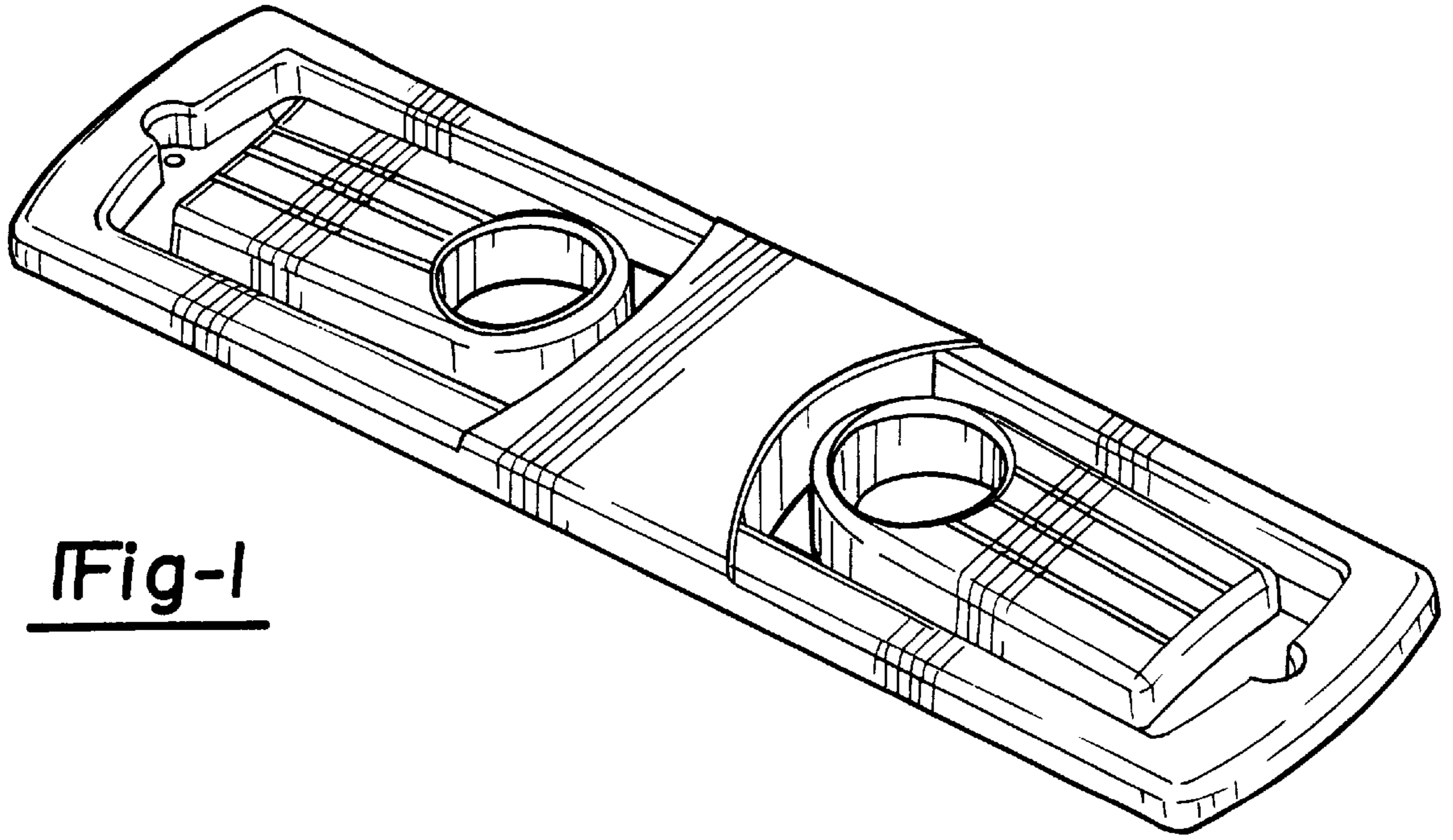


Fig-1

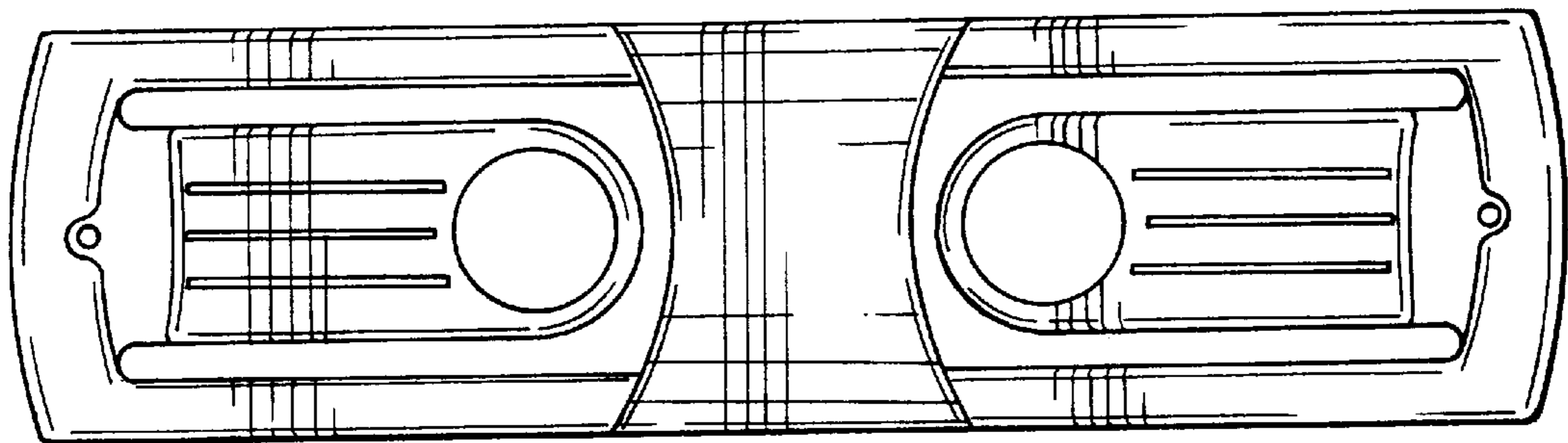


Fig-2

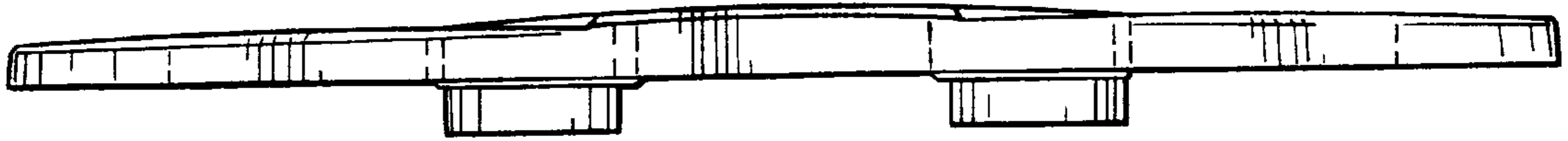


Fig-3

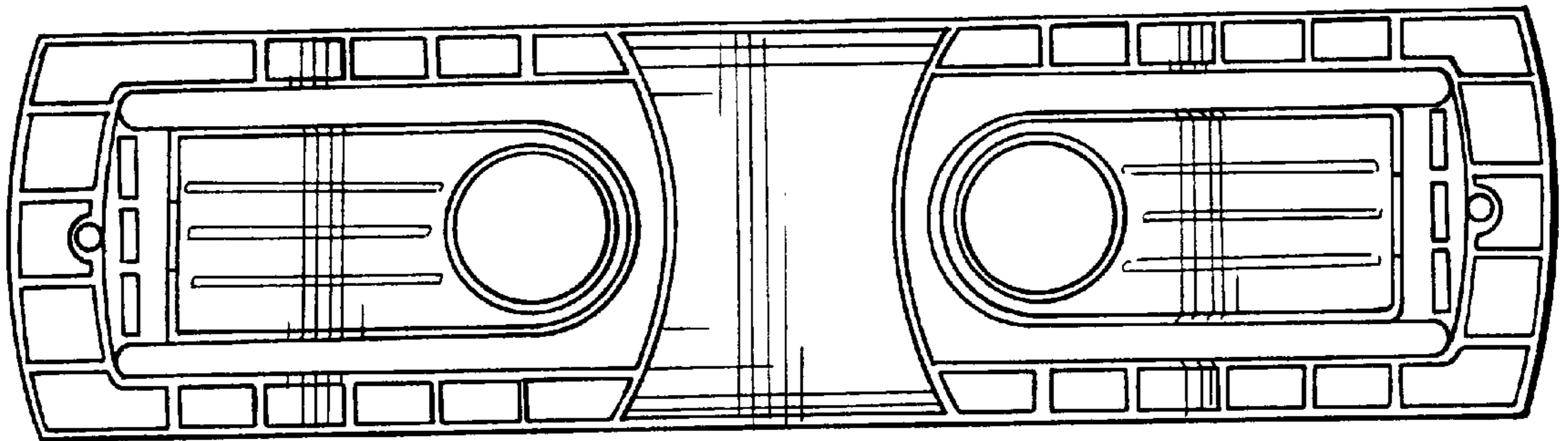


Fig-4



Fig-5

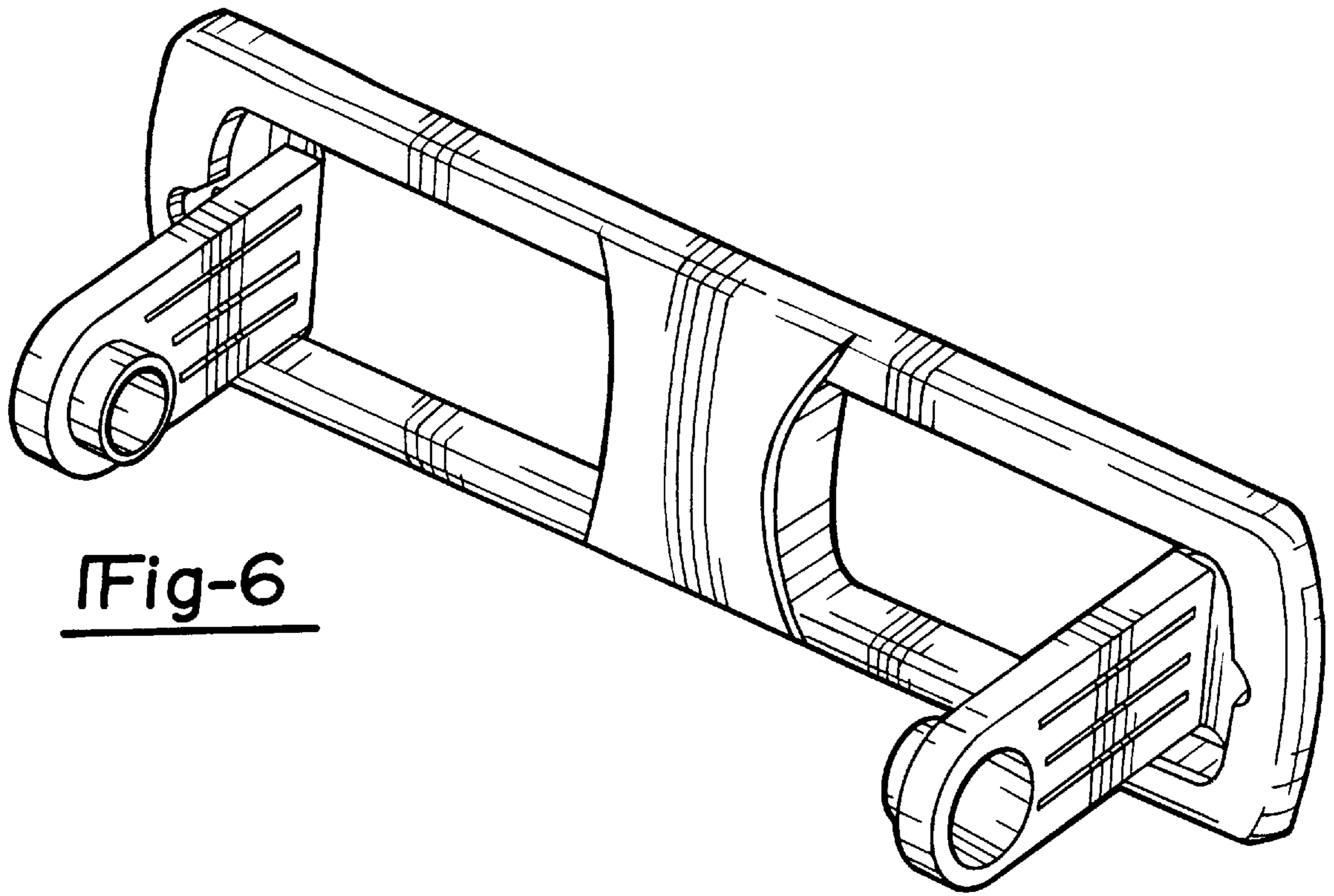


Fig-6