



US00D426991S

**United States Patent** [19]  
**Kent, Jr.**

[11] **Patent Number: Des. 426,991**  
[45] **Date of Patent: \*\* Jun. 27, 2000**

[54] **ROLL HOLDER**

[76] Inventor: **John E. Kent, Jr.**, 900 Siskiyou Blvd.  
#A-3, Medford, Oreg. 97504

[\*\*] Term: **14 Years**

[21] Appl. No.: **29/111,614**

[22] Filed: **Sep. 29, 1999**

[51] **LOC (7) Cl.** ..... **20-02**

[52] **U.S. Cl.** ..... **D6/518**

[58] **Field of Search** ..... D6/518-523; 242/570,  
242/590, 594, 594.1, 595, 596; 312/34.1,  
34.8; 211/13.1

[56] **References Cited**

**U.S. PATENT DOCUMENTS**

- D. 301,667 6/1989 Barrs et al. .... D6/518
- D. 410,356 1/1999 Ardito ..... D6/518
- 4,097,002 6/1978 Krueger .

*Primary Examiner*—Brian N. Vinson

*Attorney, Agent, or Firm*—Kolisch, Hartwell, Dickinson,  
McCormack & Heuser

[57] **CLAIM**

The ornamental design for a roll holder, as shown and described.

**DESCRIPTION**

FIG. 1 is an isometric view of a roll holder constructed in accordance with the present invention, a paper roll being shown as environment in dashed lines;

FIG. 2 is a front elevation view of the roll holder shown in FIG. 1, the rear elevation view being a mirror image thereof; FIG. 3 is a left-side elevation view of the roll holder shown in FIG. 1, the right-side elevation view being a mirror image thereof;

FIG. 4 is a top plan view of the roll holder shown in FIG. 1; and,

FIG. 5 is a bottom plan view of the roll holder shown in FIG. 1.

**1 Claim, 2 Drawing Sheets**

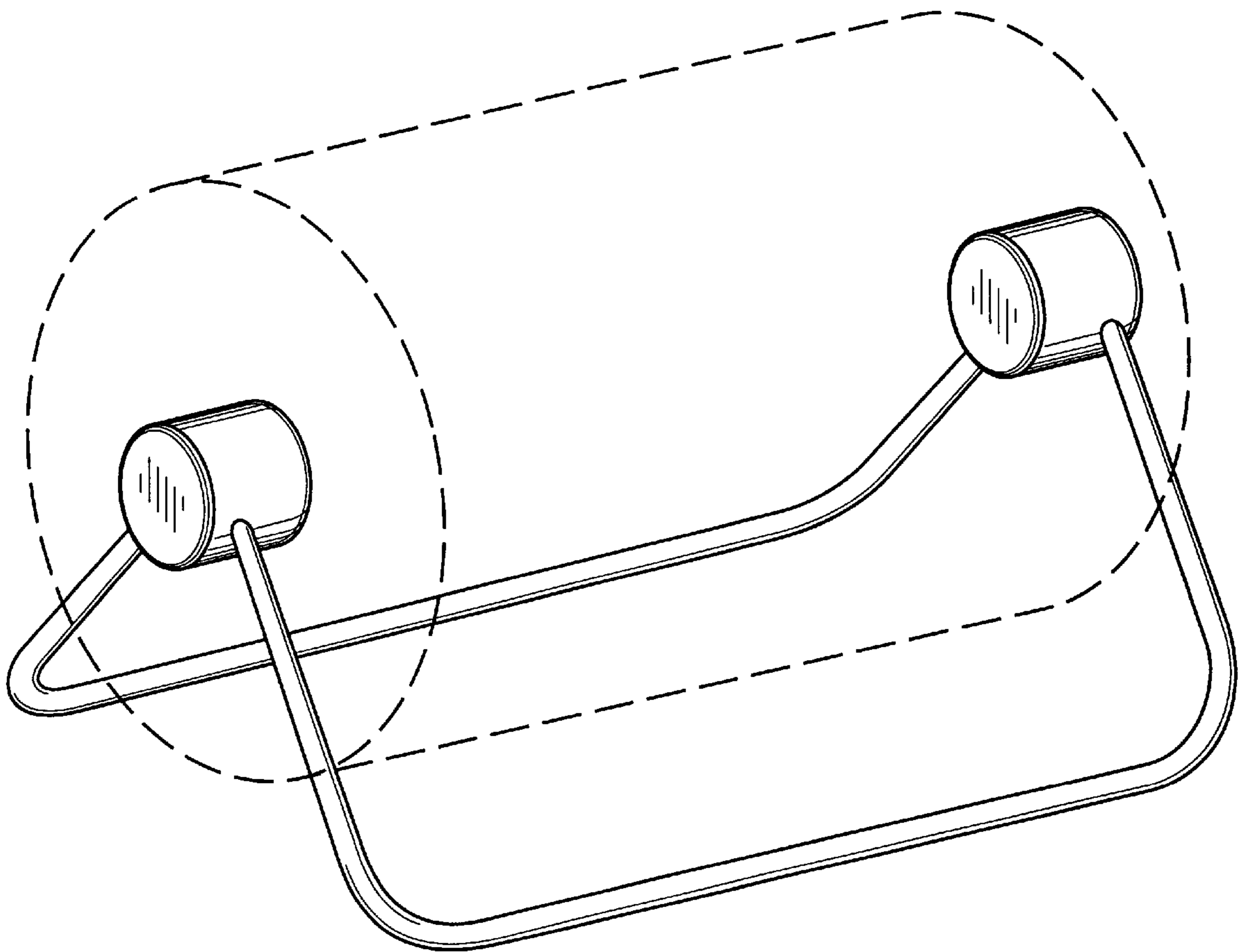


FIG. 1

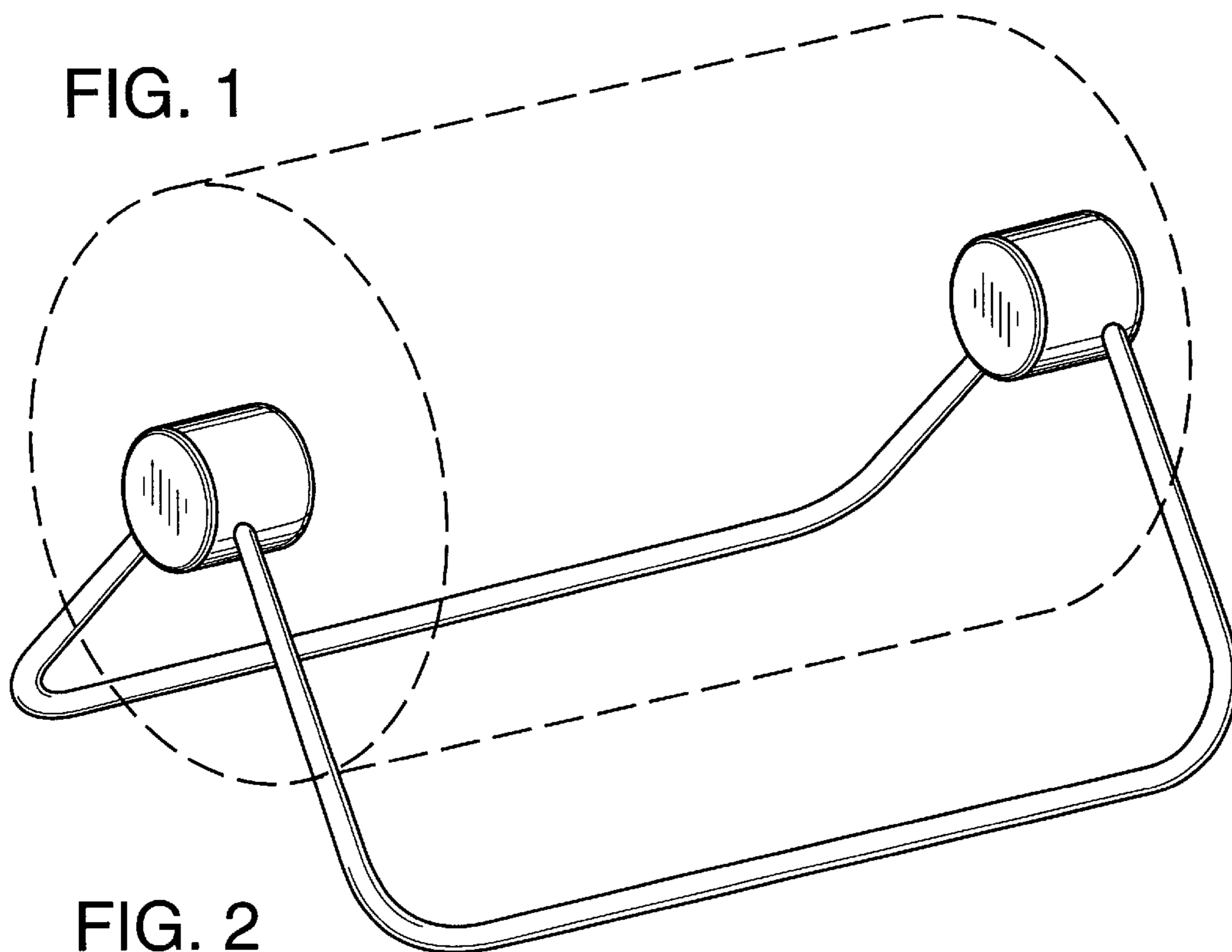


FIG. 2

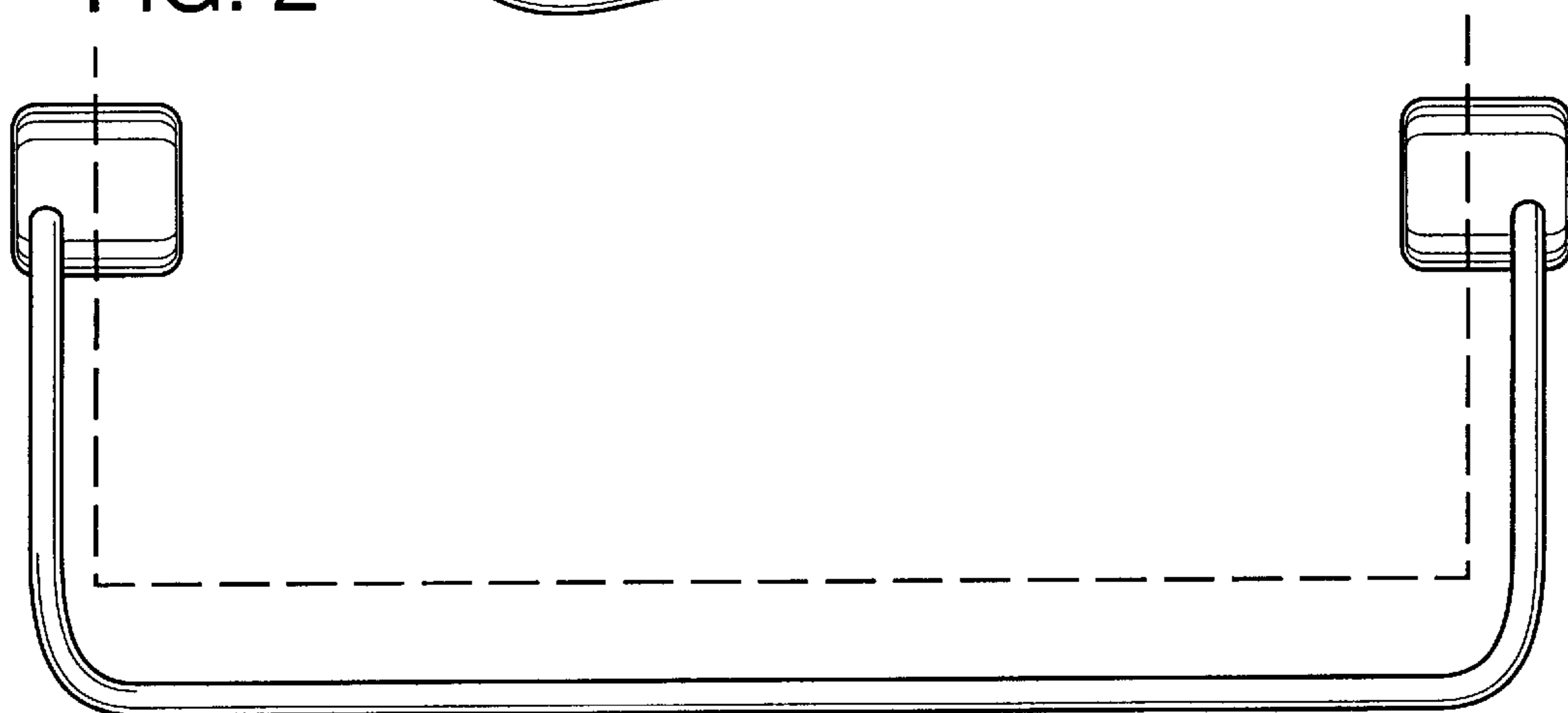


FIG. 3

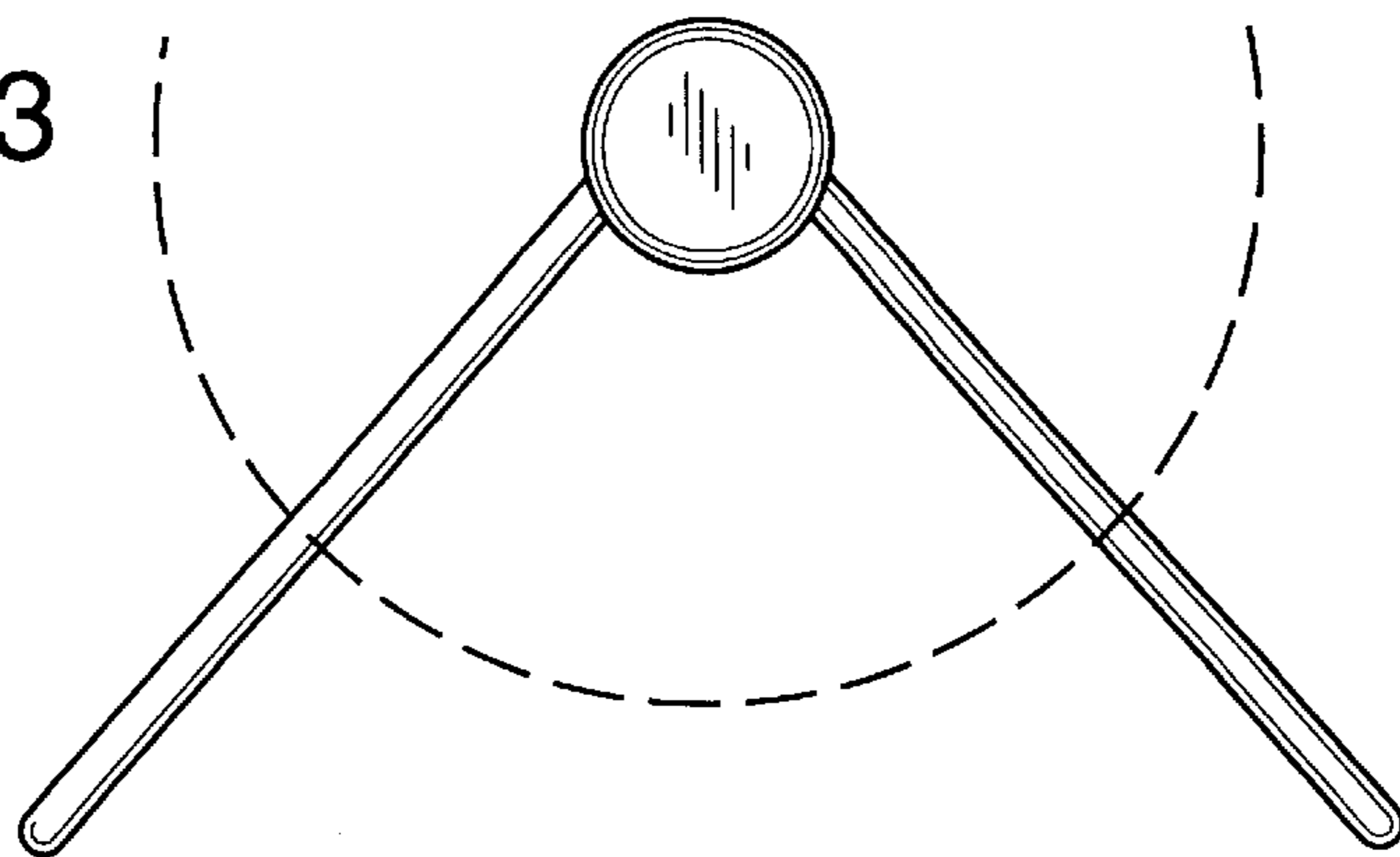


FIG. 4

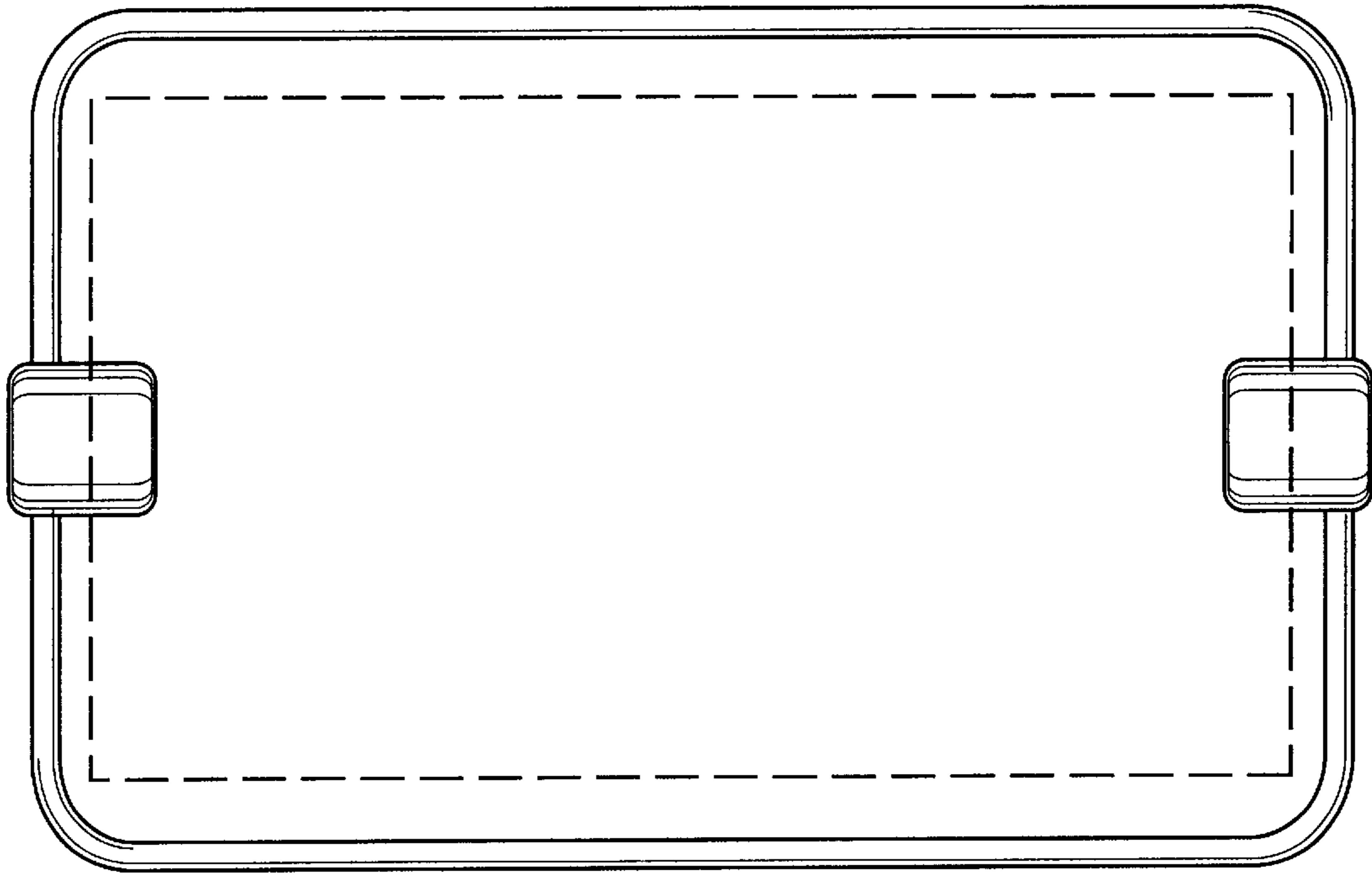


FIG. 5

