



US00D426987S

United States Patent [19]

Lewis

[11] Patent Number: **Des. 426,987**

[45] Date of Patent: **** Jun. 27, 2000**

[54] **MOVABLE DISPLAY WITH SHELVES**

[75] Inventor: **Gordon F. Lewis**, Woodbury, Minn.

[73] Assignee: **Reynolds Guyer Designs, Inc.**, St. Paul, Minn.

[**] Term: **14 Years**

[21] Appl. No.: **29/112,049**

[22] Filed: **Oct. 7, 1999**

[51] **LOC (7) Cl.** **06-04**

[52] **U.S. Cl.** **D6/479**

[58] **Field of Search** D6/396, 449, 461, D6/464, 465, 473, 474, 477-479; D34/12, 24; 108/59, 91, 92, 93, 96, 106, 107, 144.11, 147.11, 149, 151; 211/42, 43, 134, 187, 188, 153, 207

D. 389,657 1/1998 Sigal et al. D6/473
D. 414,069 9/1999 Fok D6/464 X
4,632,412 12/1986 Nasgowitz 108/91

Primary Examiner—Cathron B. Matta
Attorney, Agent, or Firm—Craig J. Lervick; Oppenheimer Wolff & Donnelly LLP

[57] CLAIM

The ornamental design for a movable display with shelves, as shown.

DESCRIPTION

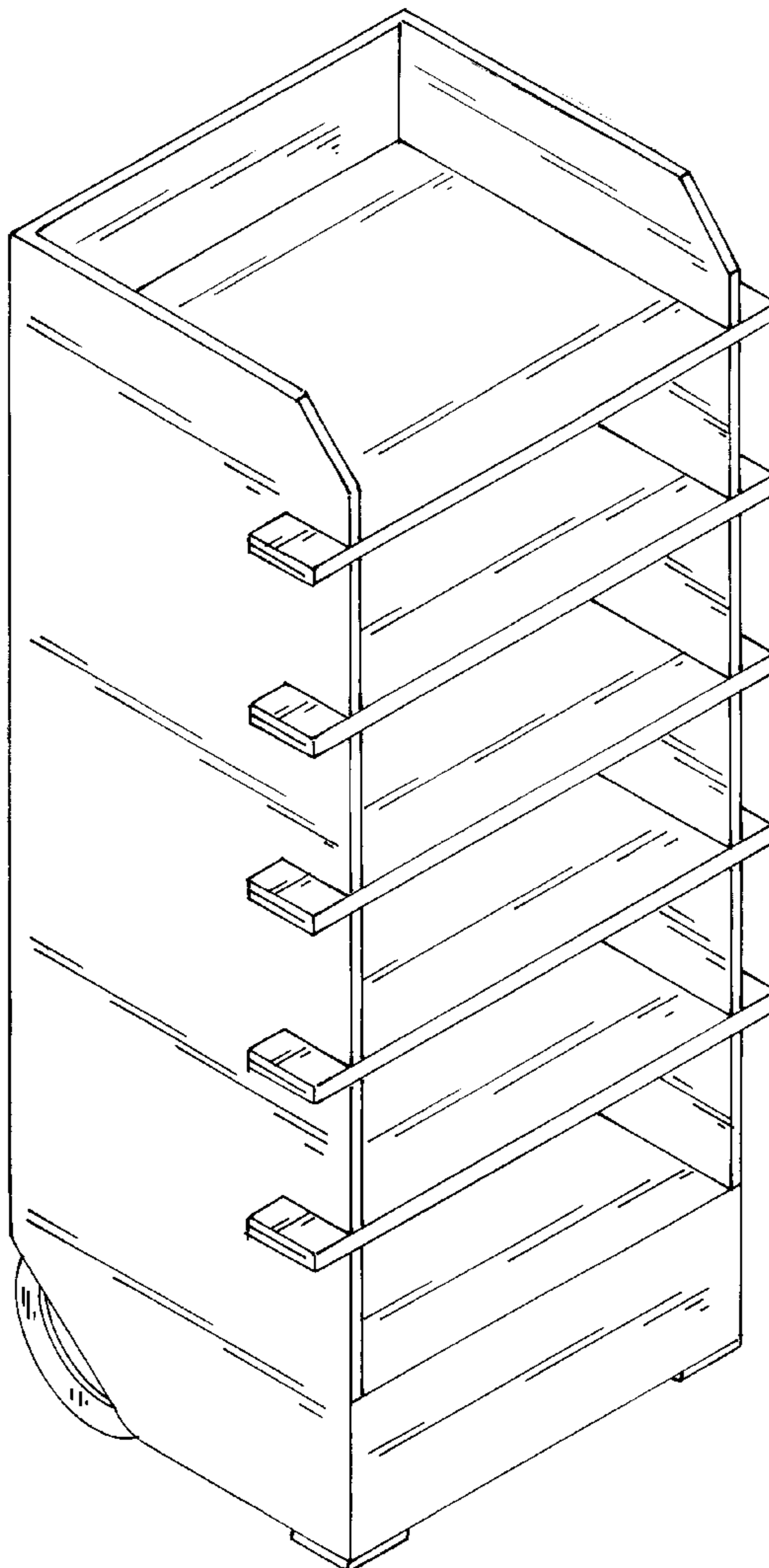
FIG. 1 is a perspective view as seen from the front and one side of a movable display with shelves showing my new design;
FIG. 2 is a side elevational view thereof as seen from the side shown in FIG. 1;
FIG. 3 is a front elevational view thereof;
FIG. 4 is a bottom view thereof;
FIG. 5 is a left side elevational view;
FIG. 6 is a rear elevational view thereof; and,
FIG. 7 is a top plan view thereof.

[56] References Cited

U.S. PATENT DOCUMENTS

D. 255,194 6/1980 Cohen et al. D6/479
D. 364,258 11/1995 Whittington D6/465

1 Claim, 3 Drawing Sheets



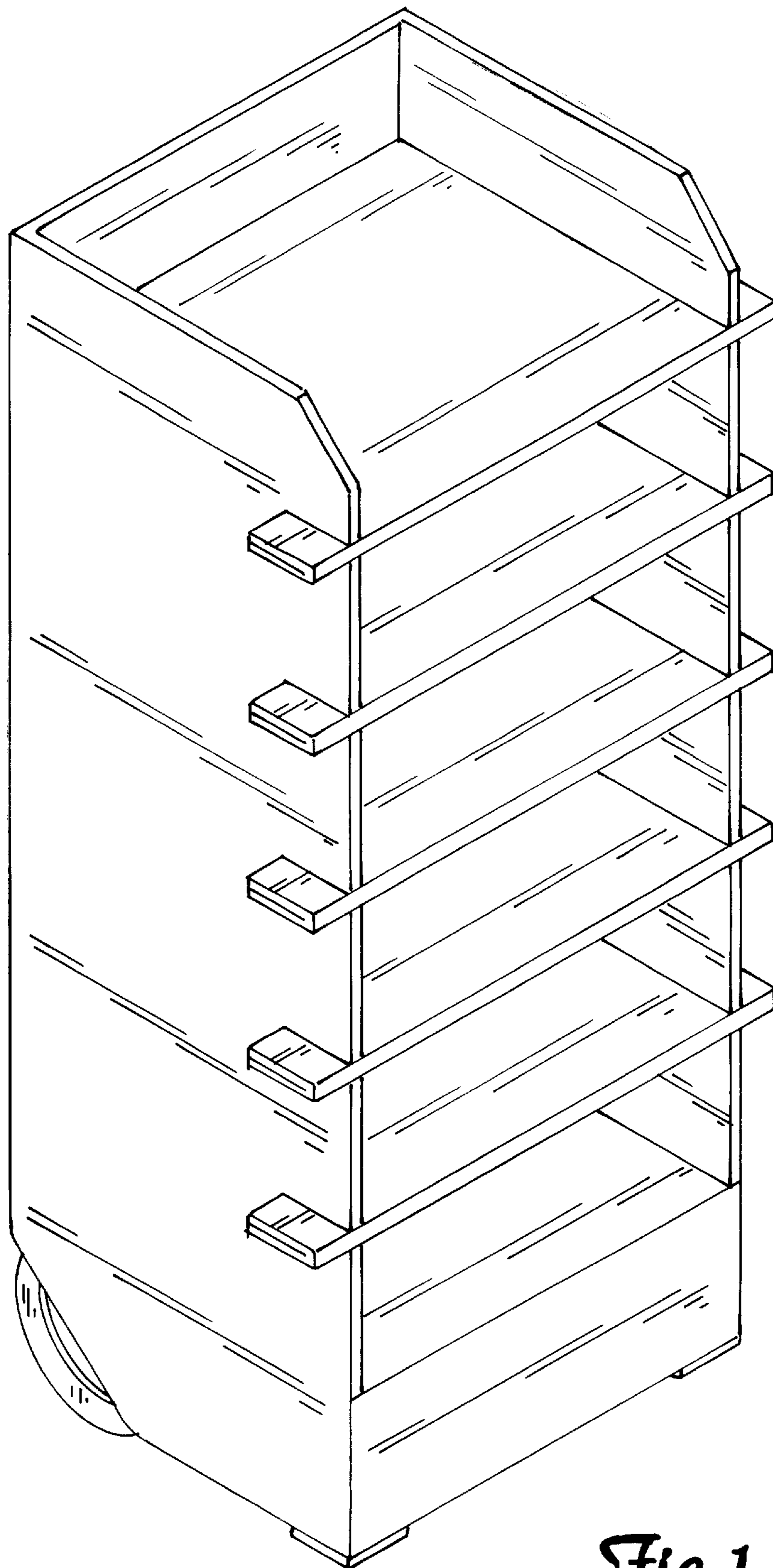


Fig. 1

Fig. 2

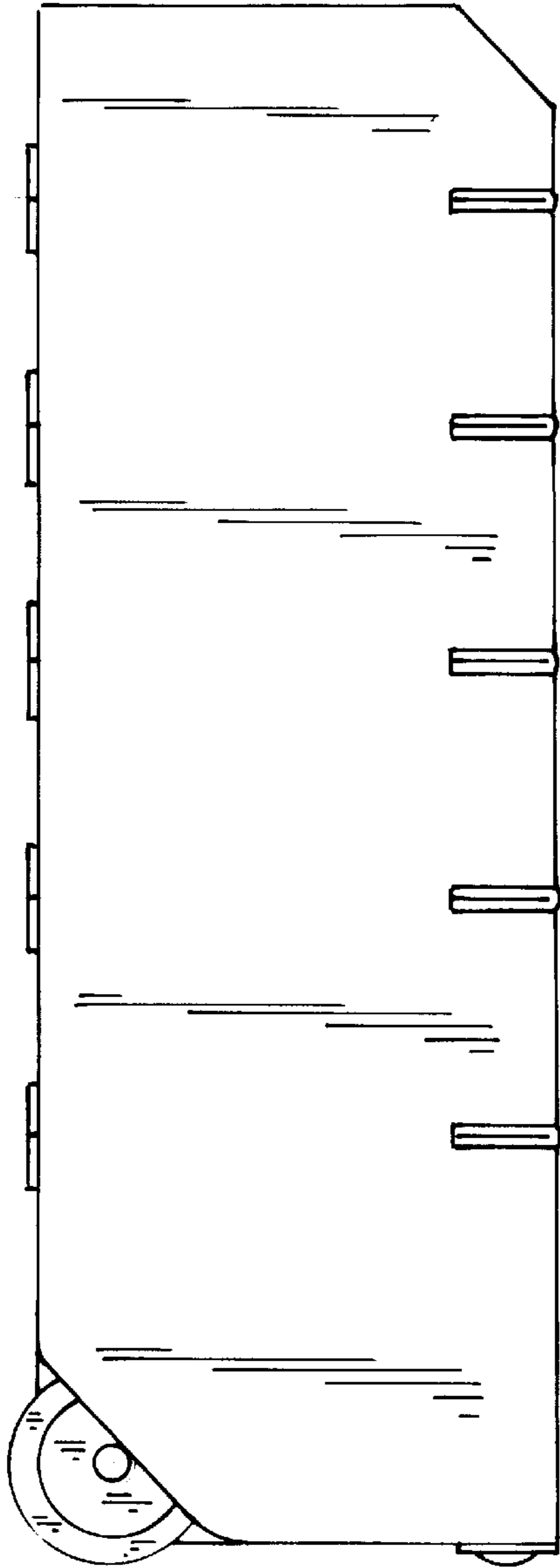


Fig. 3

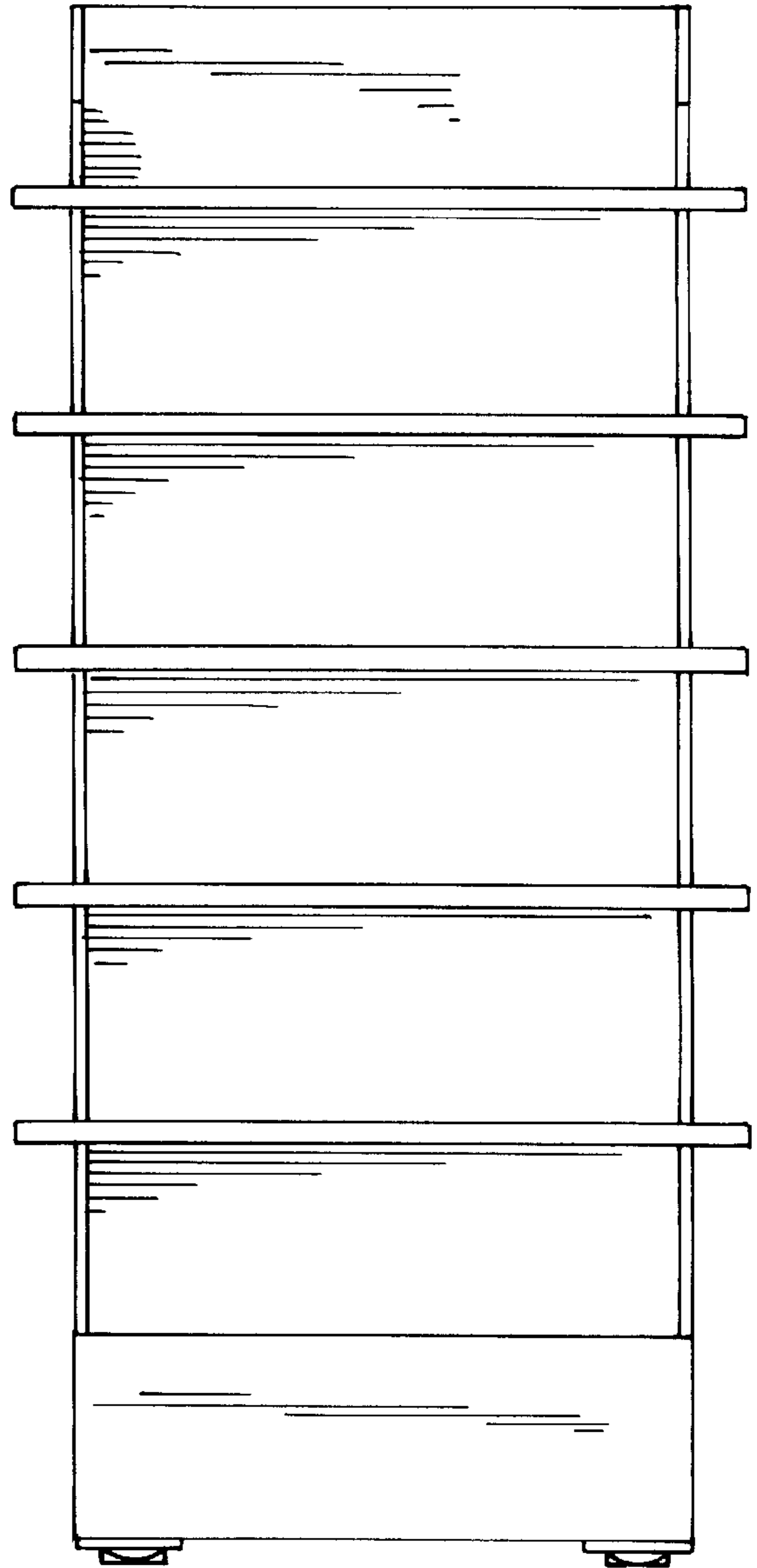


Fig. 4

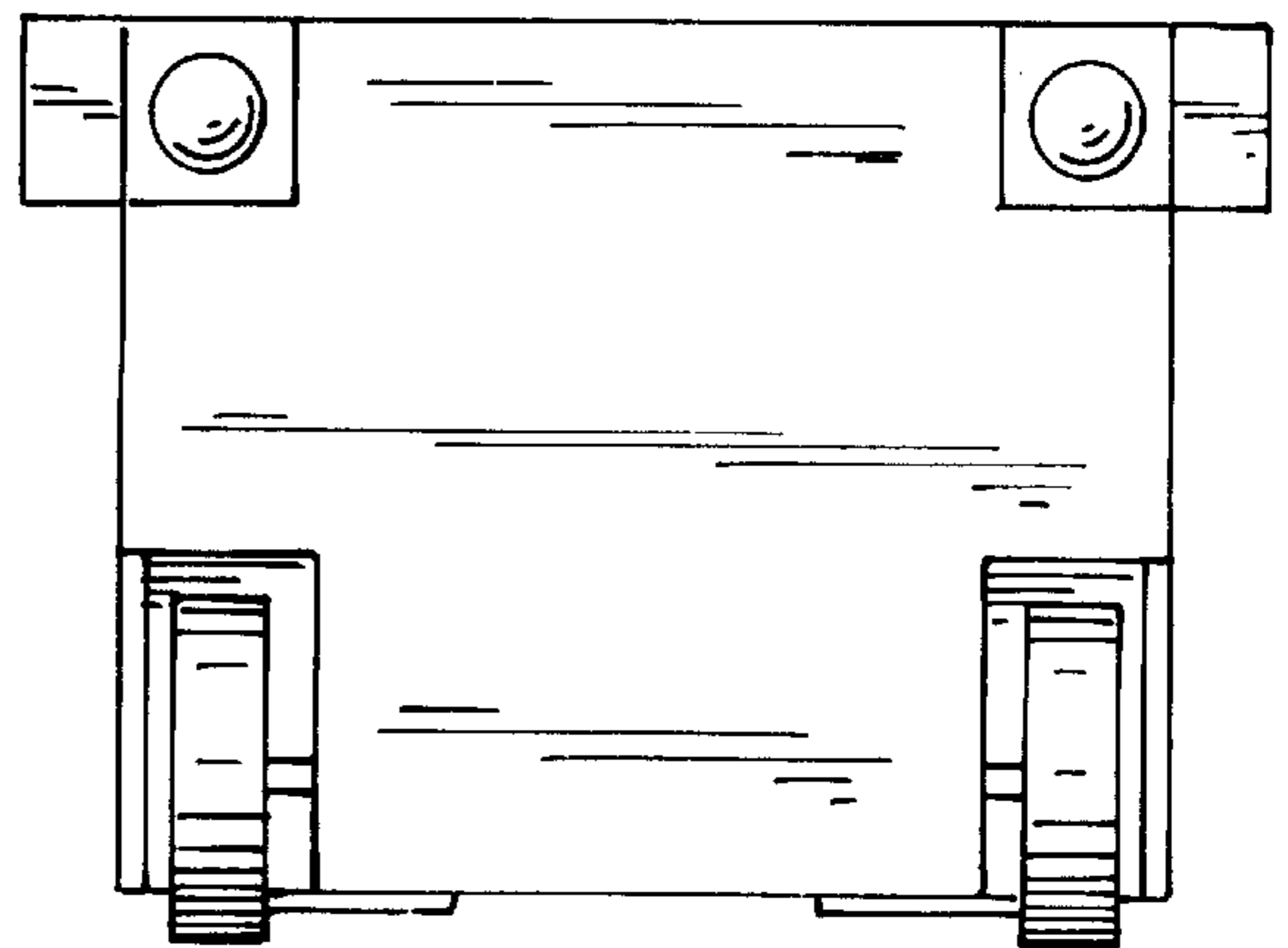


Fig. 5

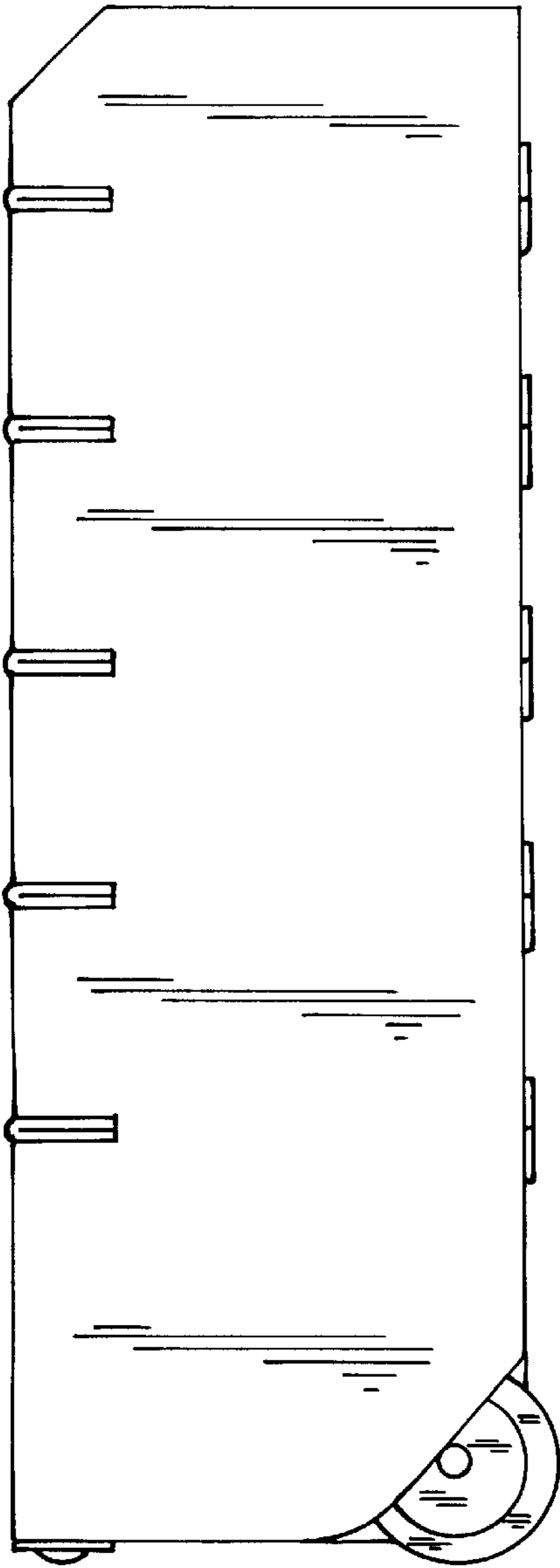


Fig. 6

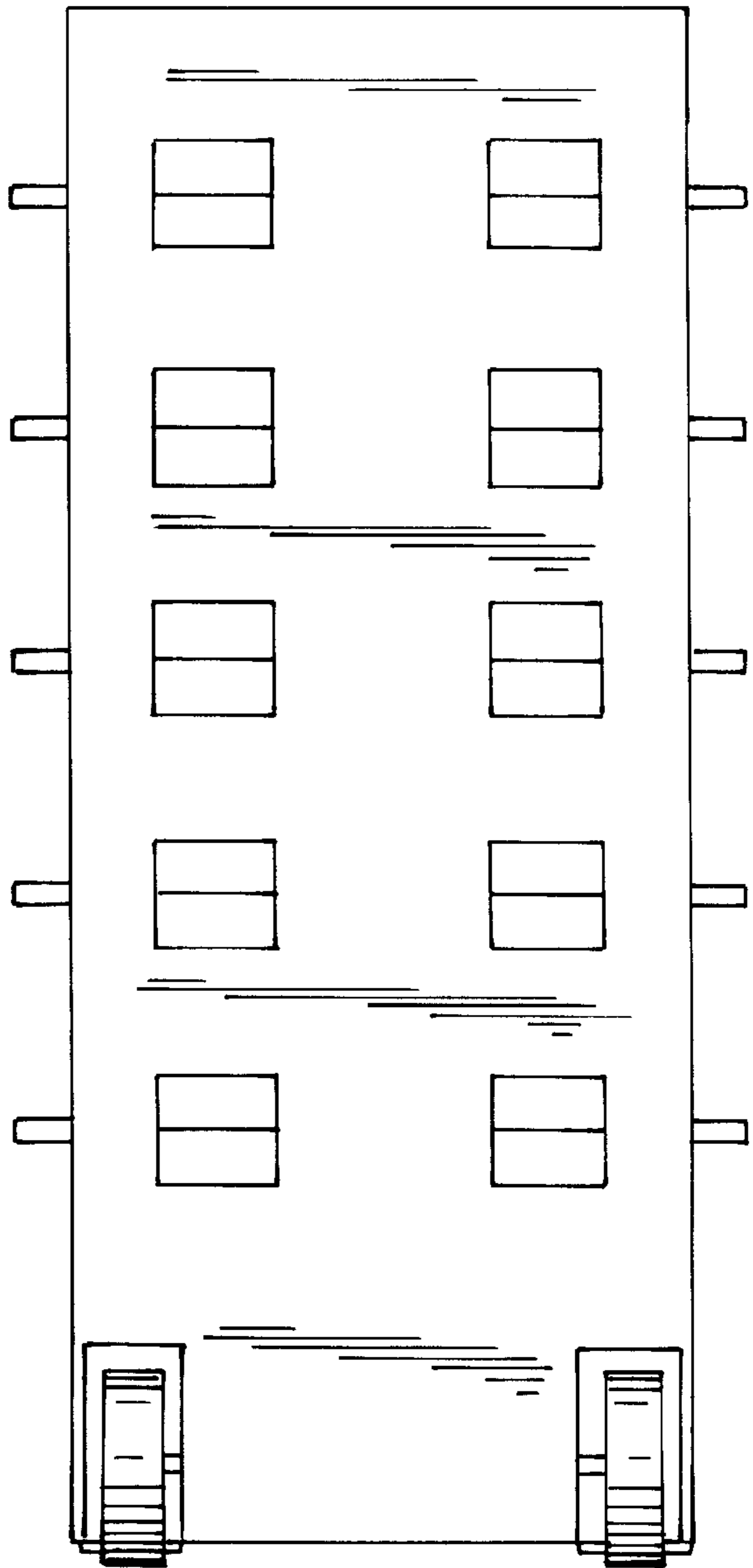


Fig. 7

