



US00D426984S

United States Patent [19] Griffith

[11] Patent Number: Des. 426,984

[45] Date of Patent: ** Jun. 27, 2000

[54] MODULAR DISPLAY STAND

[76] Inventor: **Graeme D. Griffith**, 218 Lee Avenue,
Toronto, Ontario, Canada, M4E 2P3

[**] Term: **14 Years**

[21] Appl. No.: **29/091,379**

[22] Filed: **Jul. 29, 1998**

Related U.S. Application Data

[62] Division of application No. 08/802,789, Feb. 18, 1997,
abandoned.

[51] **LOC (7) Cl.** **06-04**

[52] **U.S. Cl.** **D6/457**

[58] **Field of Search** D6/455, 457, 460,
D6/461, 476; 211/133.1, 131.1, 133.4, 96,
194, 196, 205, 85.1, 85.2; 312/97.1

[56] References Cited

U.S. PATENT DOCUMENTS

D. 262,754	1/1982	Merl	D6/457
2,808,941	10/1957	Foster	211/85.1
3,333,708	8/1967	LeBlanc et al.	211/85.1
3,884,357	5/1975	Bloch	211/85.1
3,938,665	2/1976	Rumble	211/163 X
3,942,647	3/1976	Crosslen	211/144
3,981,405	9/1976	Slack	211/70
4,093,077	6/1978	Strasser	211/85.2 X
4,442,942	4/1984	Cuminale et al.	211/85.2 X
4,534,471	8/1985	Zahn et al.	211/163 X
4,614,272	9/1986	Shelton et al.	211/85.1 X
5,257,703	11/1993	Ascik et al.	211/85.1 X
5,280,839	1/1994	Crampton	211/163 X

Primary Examiner—Doris V. Coles
Assistant Examiner—Linda Brooks
Attorney, Agent, or Firm—Merek & Voorhees

[57] CLAIM

The ornamental design for a modular display stand, as shown and described.

DESCRIPTION

FIG. 1 is a top and side perspective view of the modular display stand, the opposite side perspective view being a mirror image thereof;

FIG. 2 is an enlarged top plan view of the top surface thereof, shown separately for clarity of illustration;

FIG. 3 is an enlarged top plan view of one of the intermediate, horizontally oriented, ring structures of the modular display stand, shown separately for clarity of illustration;

FIG. 4 is a cross-sectional view taken along the line 4—4 of FIG. 2;

FIG. 5 is a cross-sectional view taken along the line 5—5 of FIG. 3;

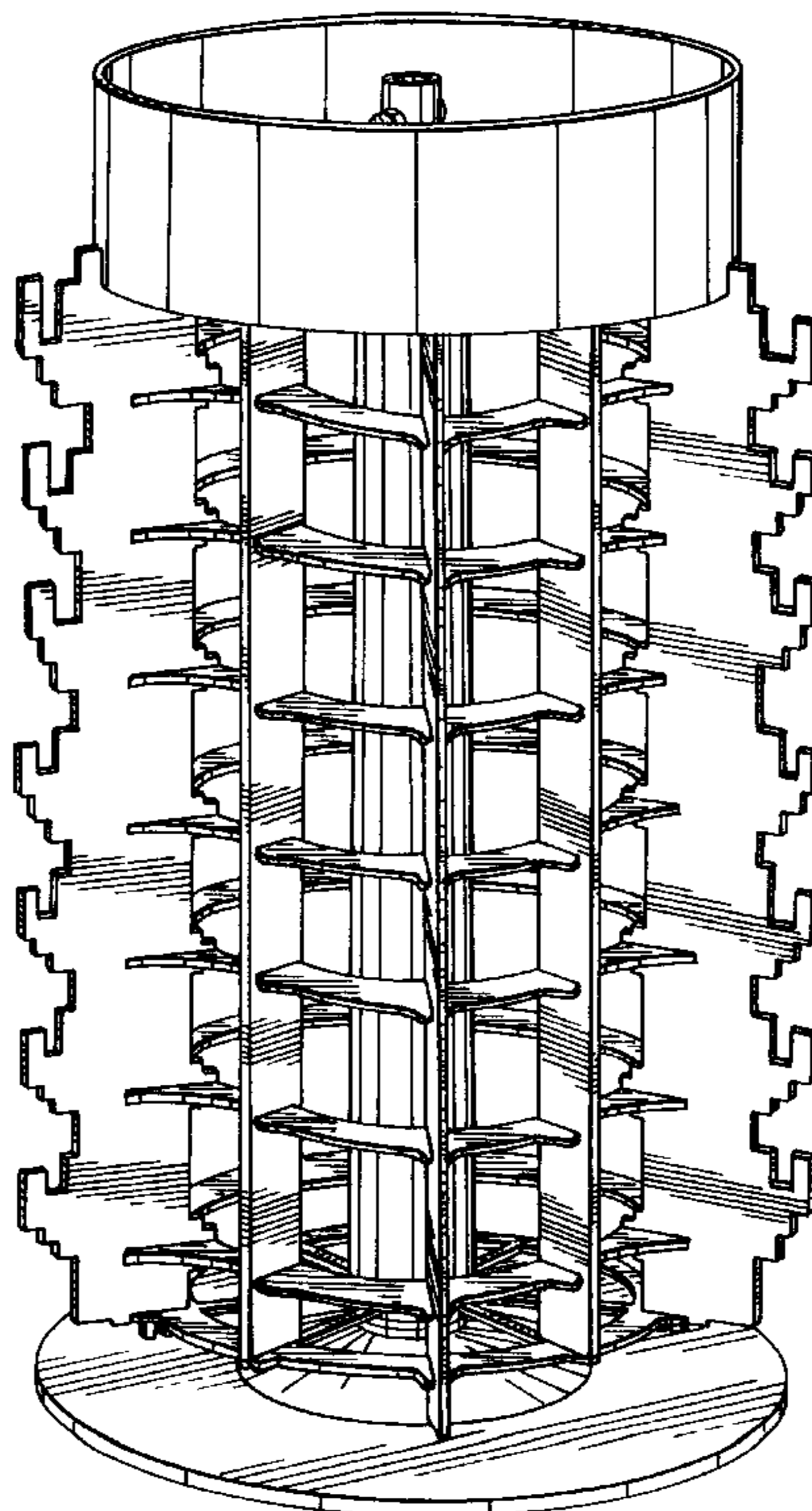
FIG. 6 is an enlarged side elevational view of one of the longitudinal, vertically oriented, side members of the modular display stand, shown separately for clarity of illustration;

FIG. 7 is a side elevational view of one of the longitudinal, vertically oriented, divider members of the modular display stand, shown separately for clarity of illustration; and,

FIG. 8 is a side elevational view of the longitudinal central tubular member of the modular display stand, shown separately for clarity, and shown broken away at both ends for ease of illustration; and,

FIG. 9 is a fragmentary view of the top of the modular display stand, shown broken away for clarity of illustration.

1 Claim, 4 Drawing Sheets



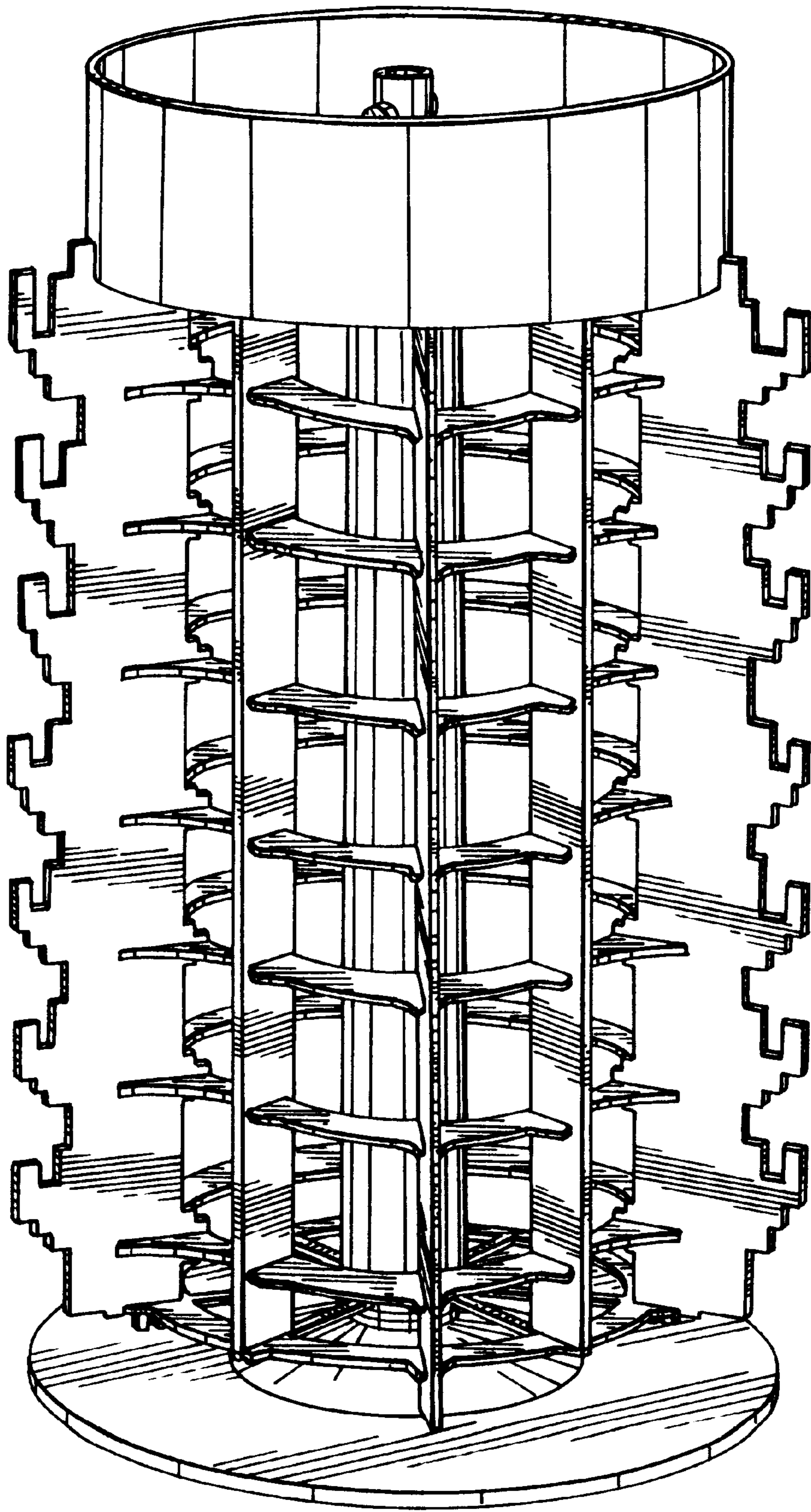


FIG.1

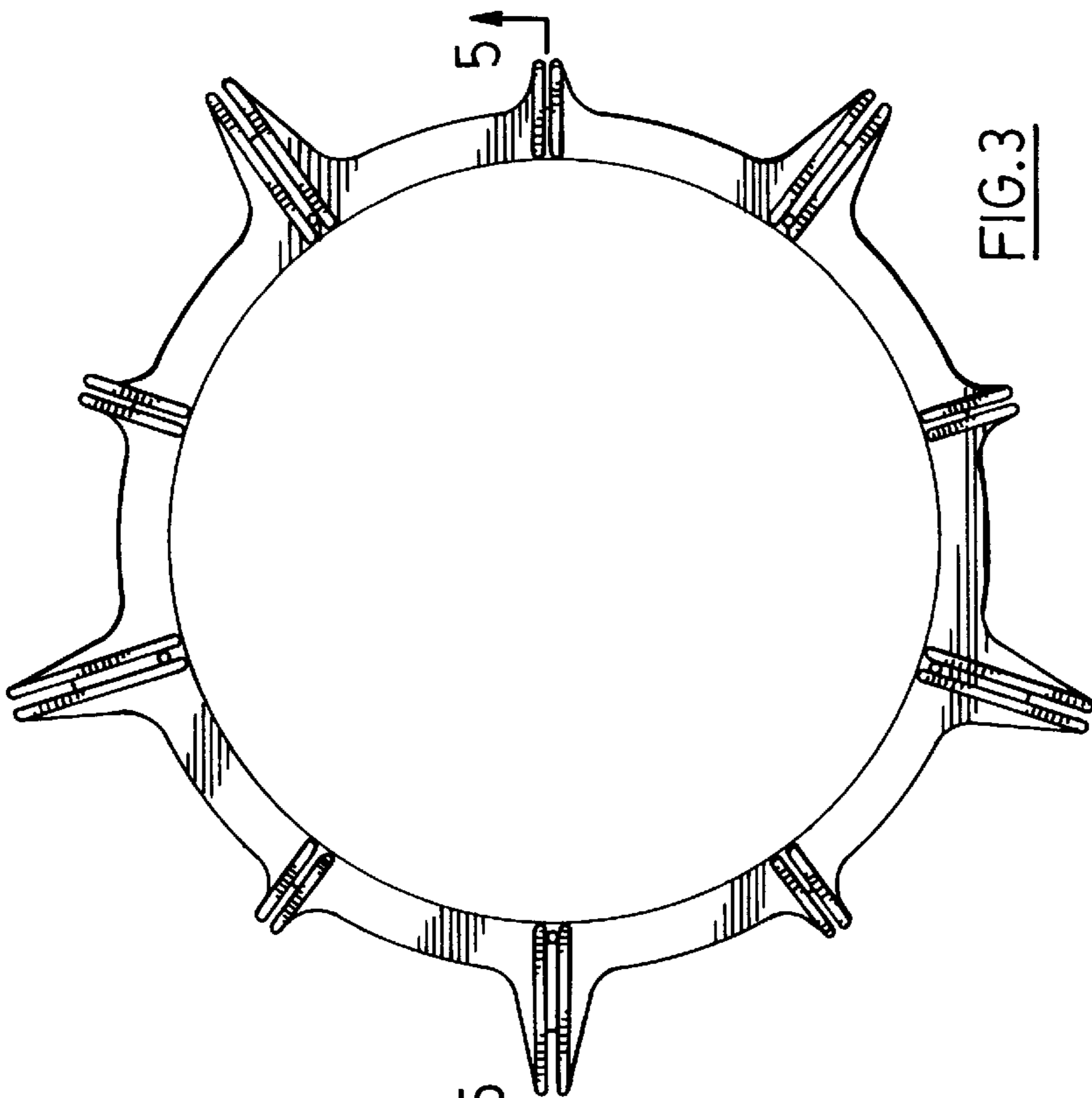


FIG. 3

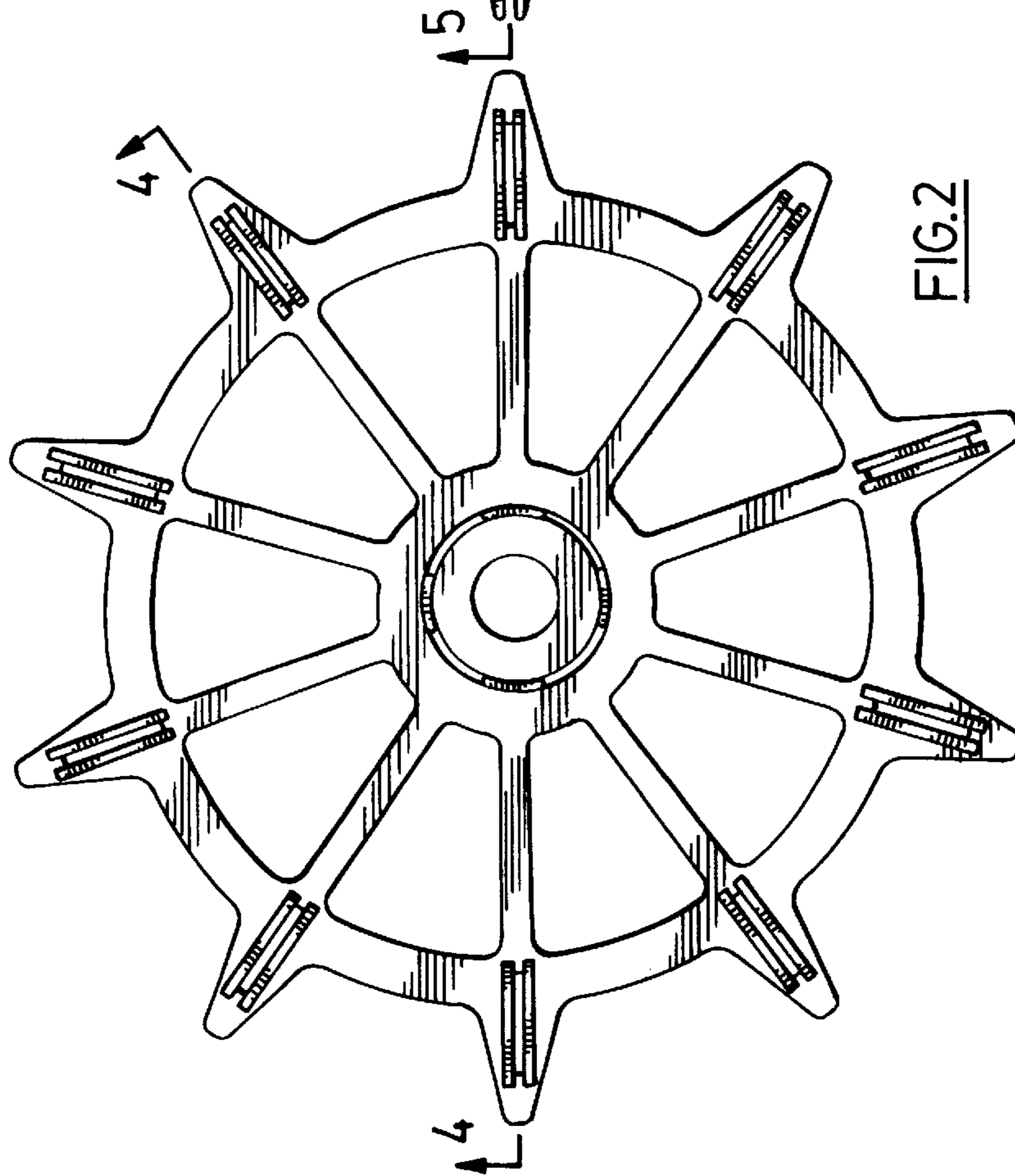


FIG. 2

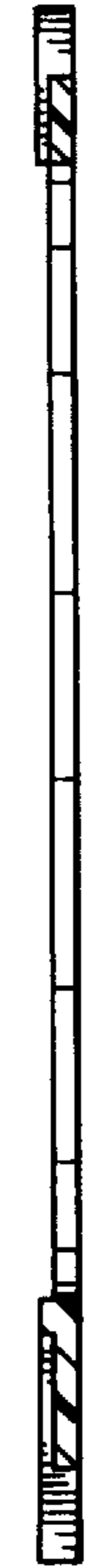


FIG. 5

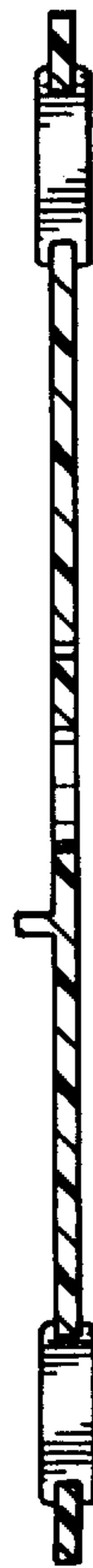


FIG. 4

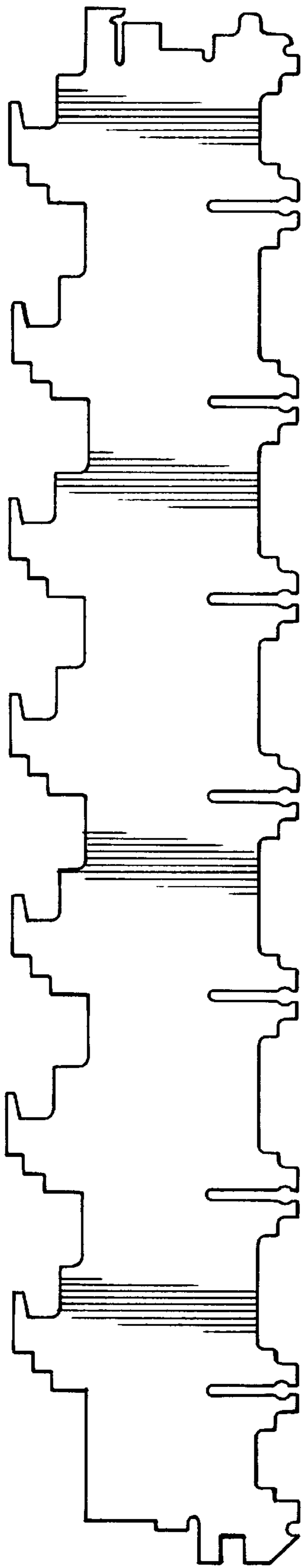


FIG. 6

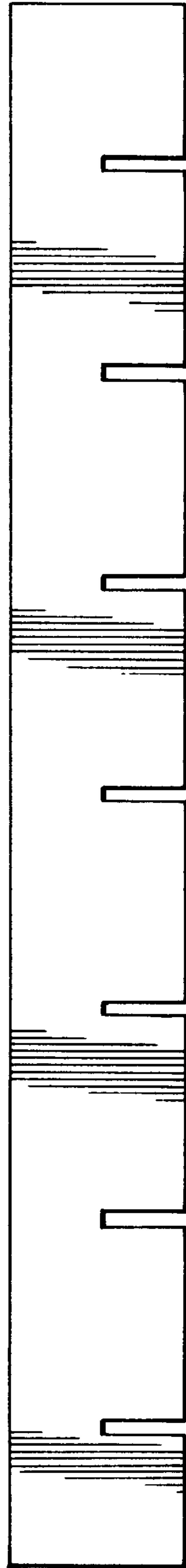


FIG. 7

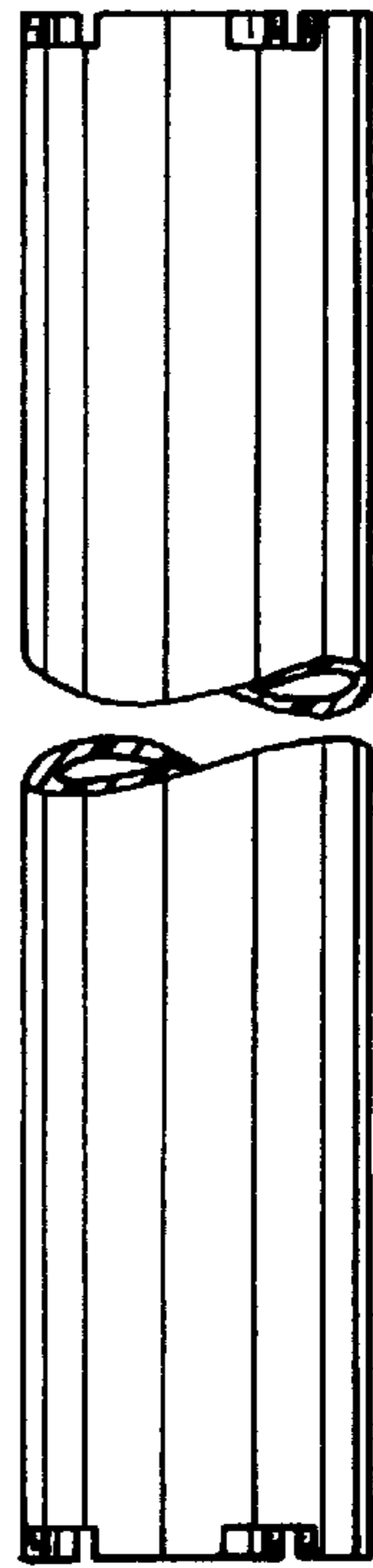


FIG. 8

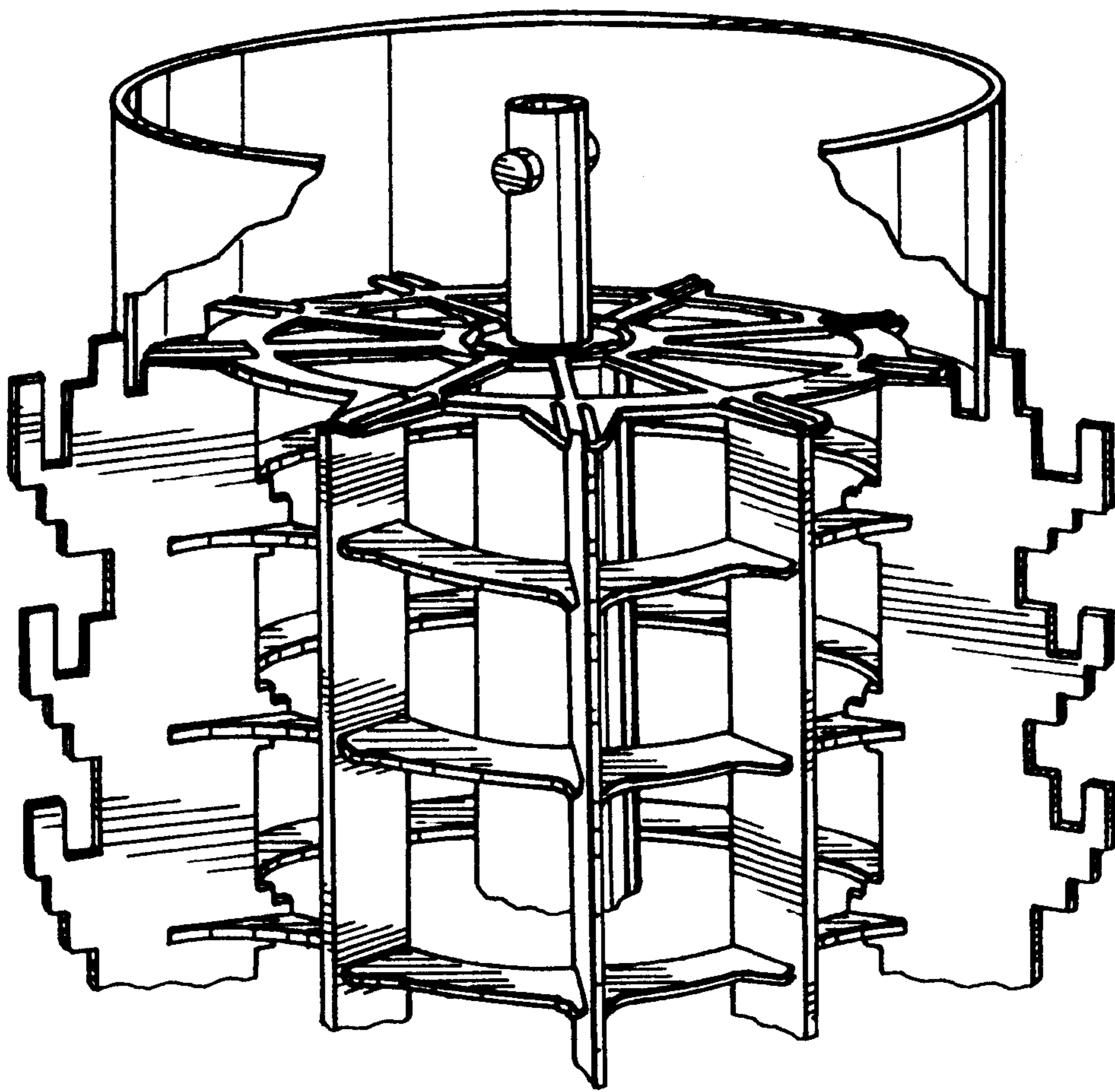


FIG. 9