



US00D426982S

**United States Patent** [19]  
**Freedberg**

[11] **Patent Number: Des. 426,982**  
[45] **Date of Patent: \*\* Jun. 27, 2000**

[54] **COMBINED DRESSER AND CHANGING TABLE**

[75] Inventor: **Barry Freedberg**, East Hills, N.Y.  
[73] Assignee: **Bellini Juvenile Designer Furniture Corp.**, Paramus, N.J.  
[\*\*] Term: **14 Years**

[21] Appl. No.: **29/110,988**  
[22] Filed: **Sep. 17, 1999**

[51] **LOC (7) Cl.** ..... **06-04**  
[52] **U.S. Cl.** ..... **D6/437**  
[58] **Field of Search** ..... D6/432, 436, 437,  
D6/438, 440, 445; 312/237

[56] **References Cited**

**U.S. PATENT DOCUMENTS**

D. 385,125 10/1997 Zapf ..... D6/445 X

**OTHER PUBLICATIONS**

Baby-2-Teen Furniture Catalog, Dressing Table, p. 9, Sep. 1995.

*Primary Examiner*—Cathron B. Matta  
*Attorney, Agent, or Firm*—Steinberg & Raskin, P.C.

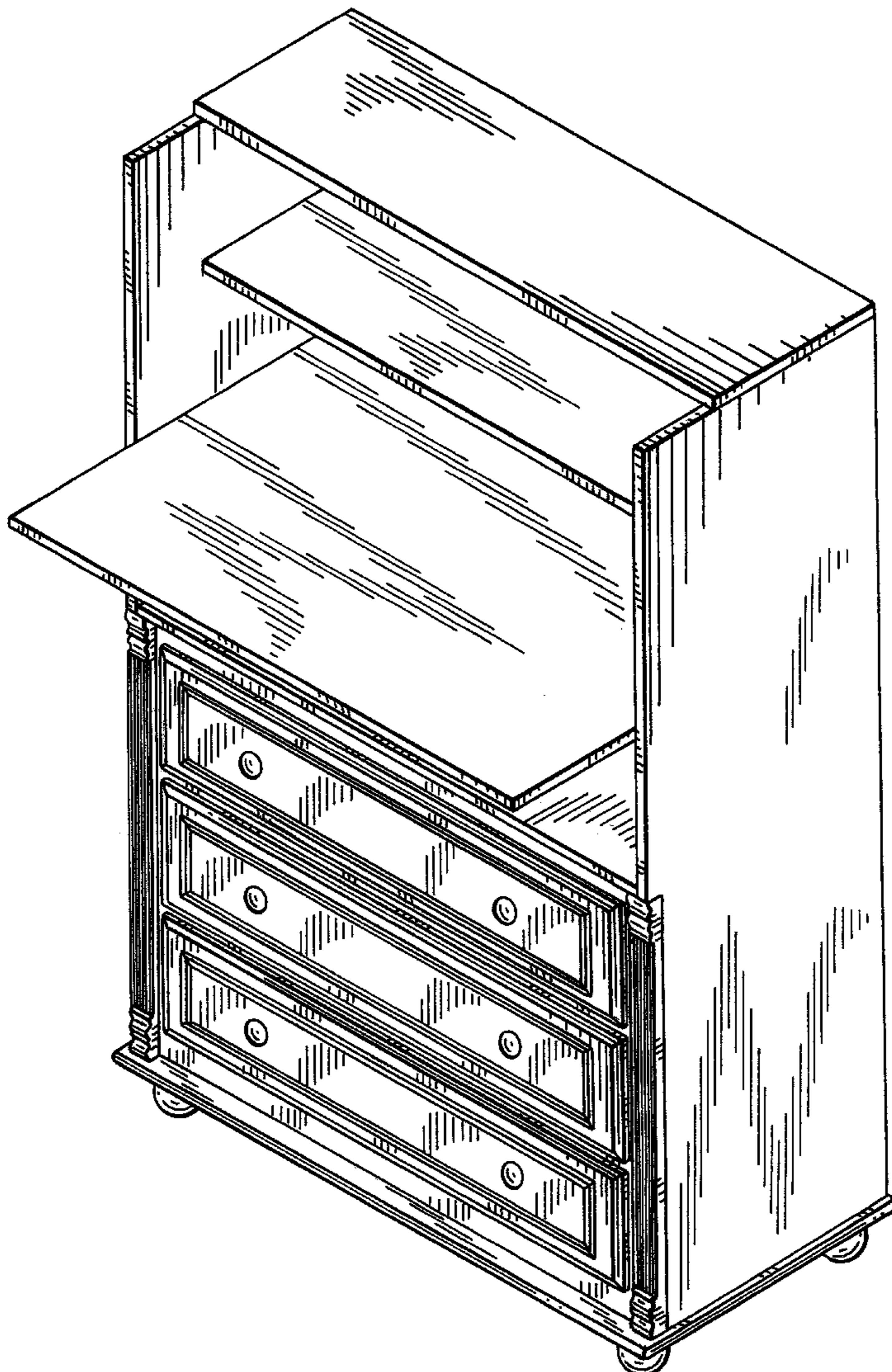
[57] **CLAIM**

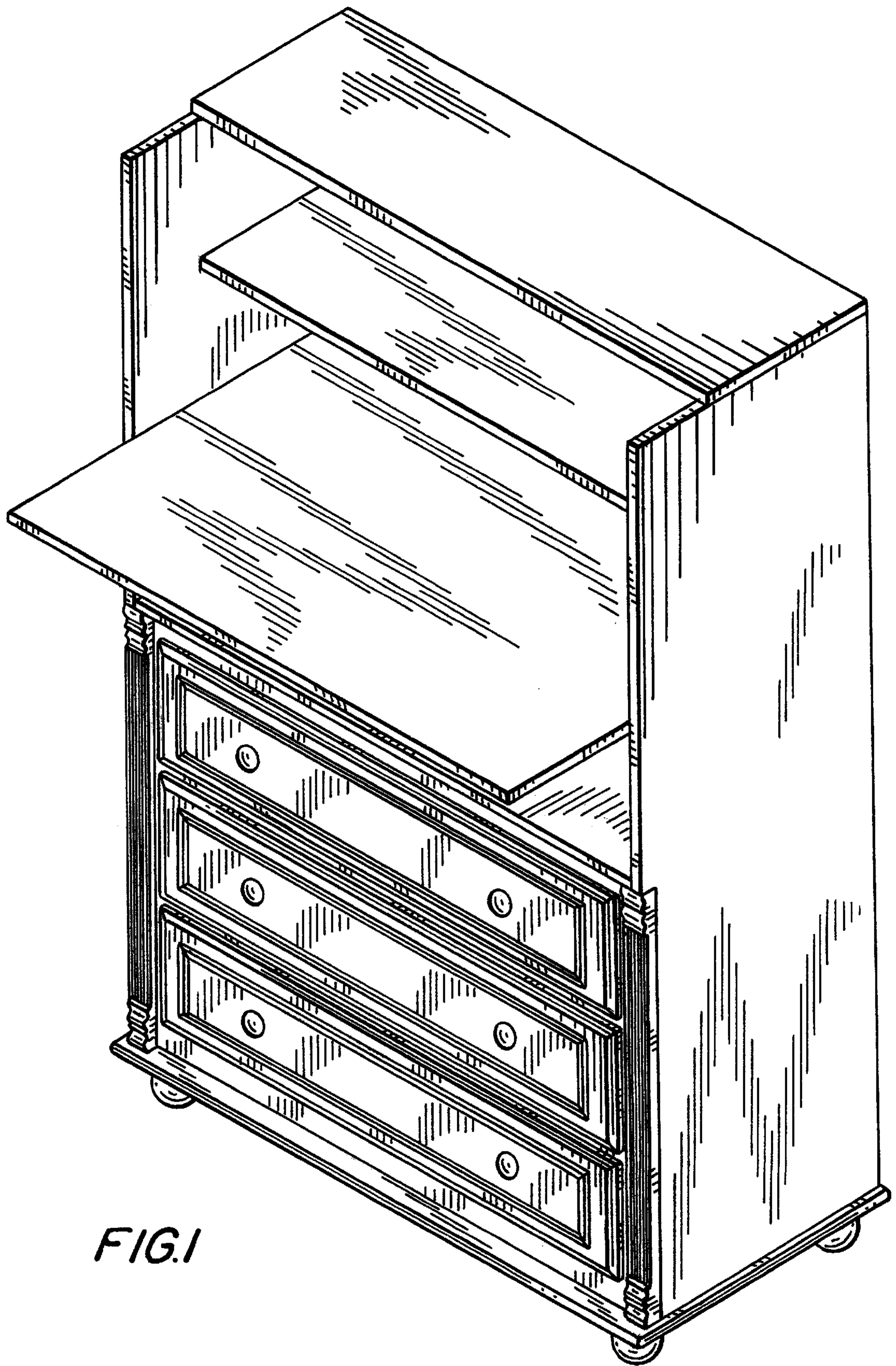
The ornamental design for a combined dresser and changing table, as shown and described.

**DESCRIPTION**

FIG. 1 is a perspective view of a combined dresser and changing table showing my design;  
FIG. 2 is a front elevation view thereof;  
FIG. 3 is a right side view thereof as the right side thereof is symmetrical with the left side;  
FIG. 4 is a top plan view thereof; and,  
FIG. 5 is a bottom plan view thereof.

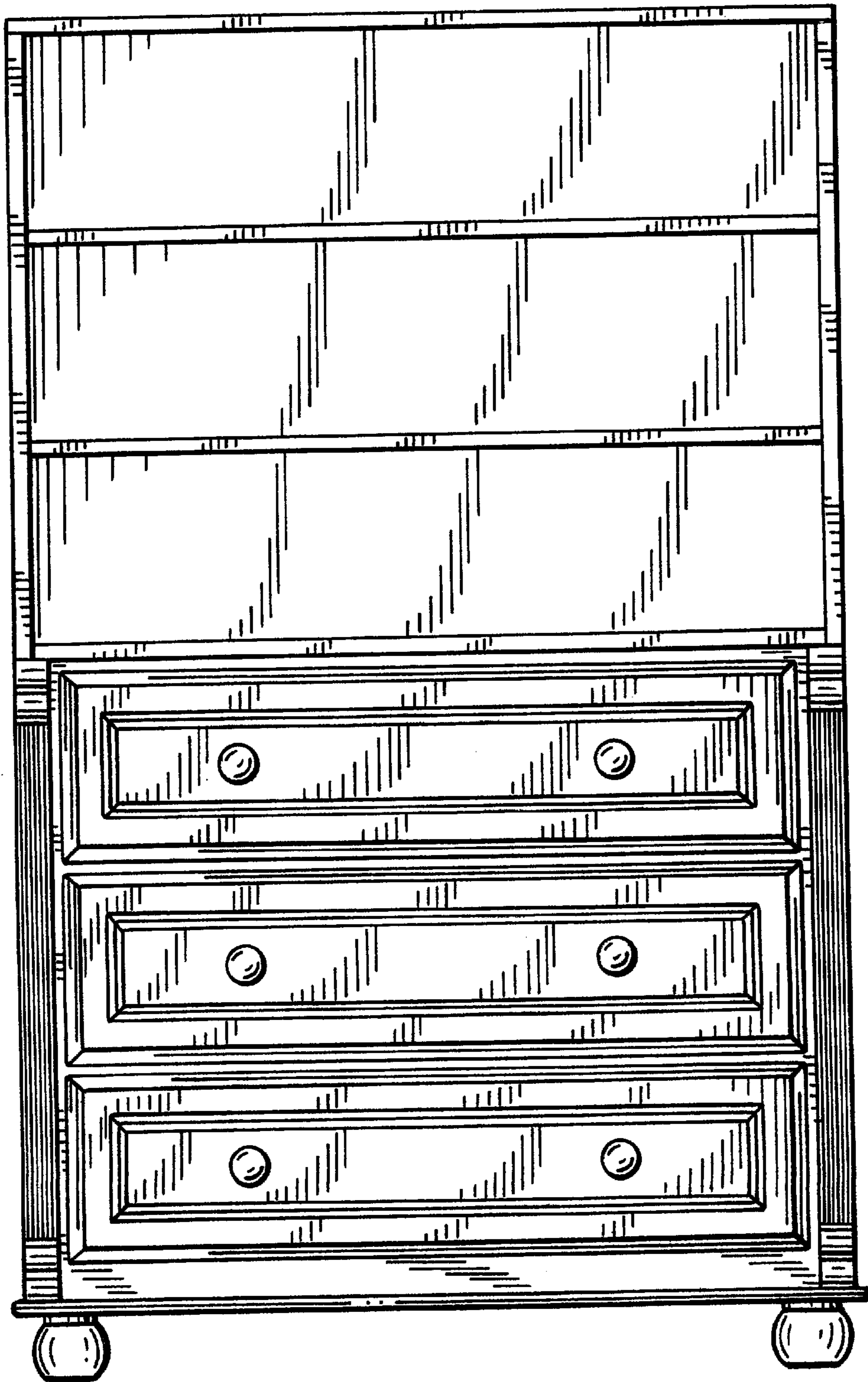
**1 Claim, 4 Drawing Sheets**



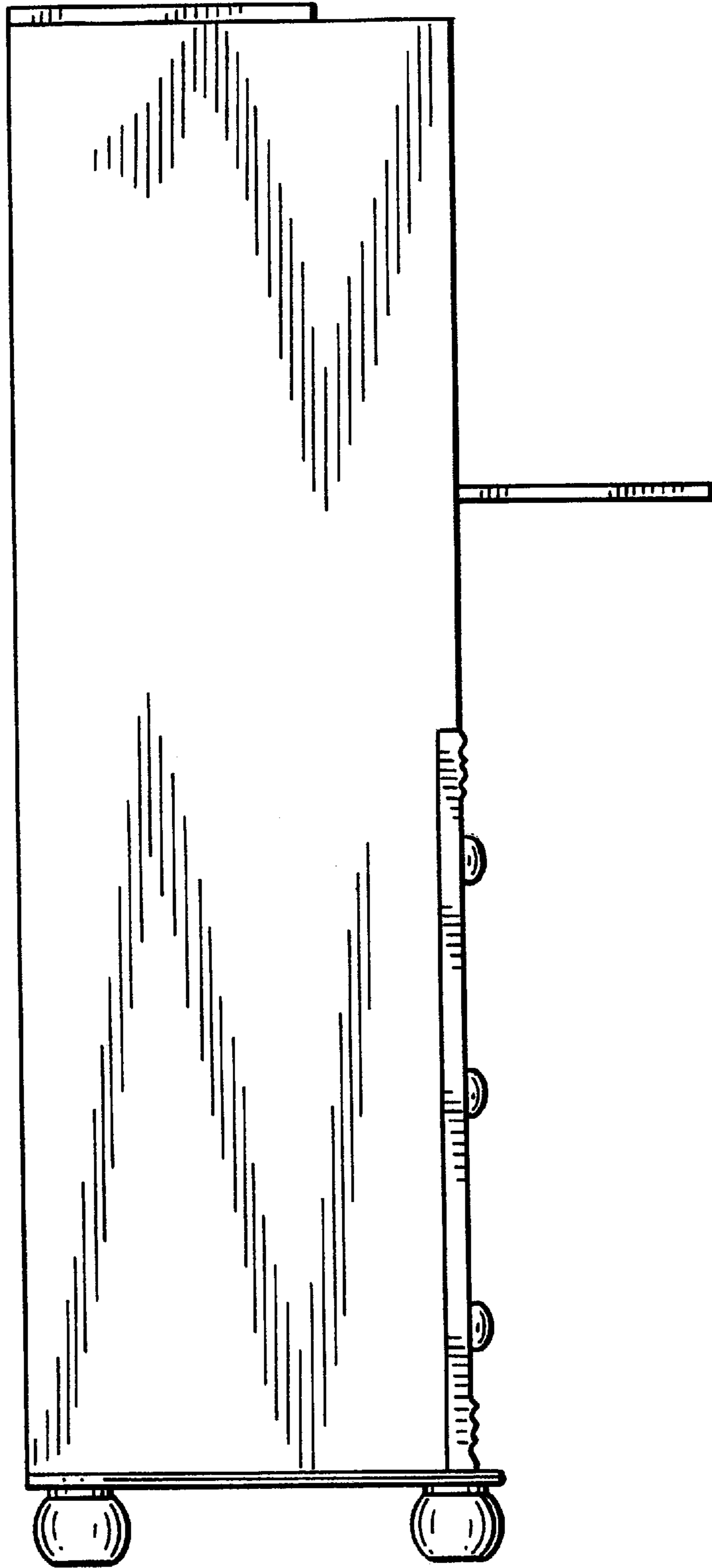


*FIG. 1*

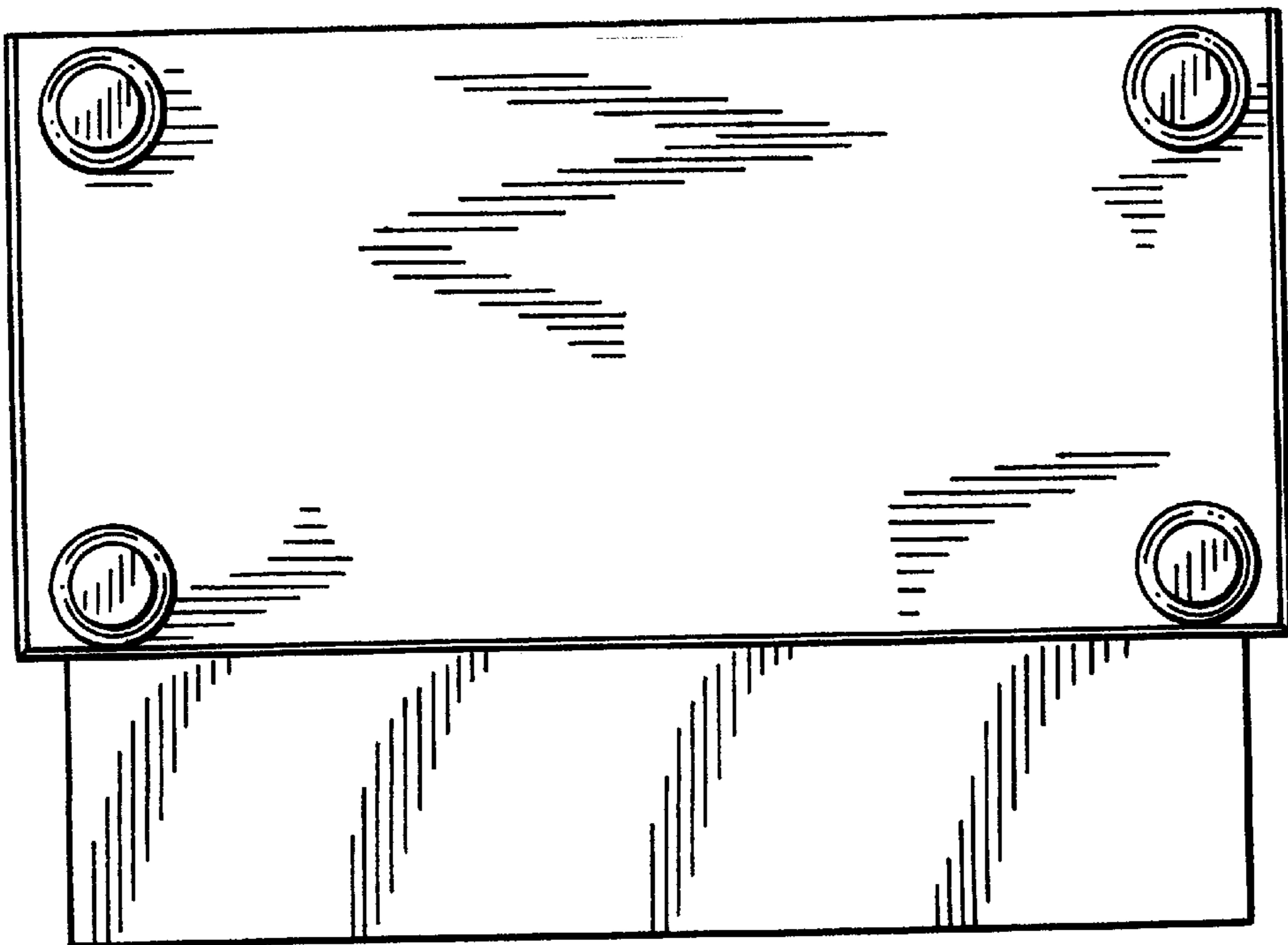
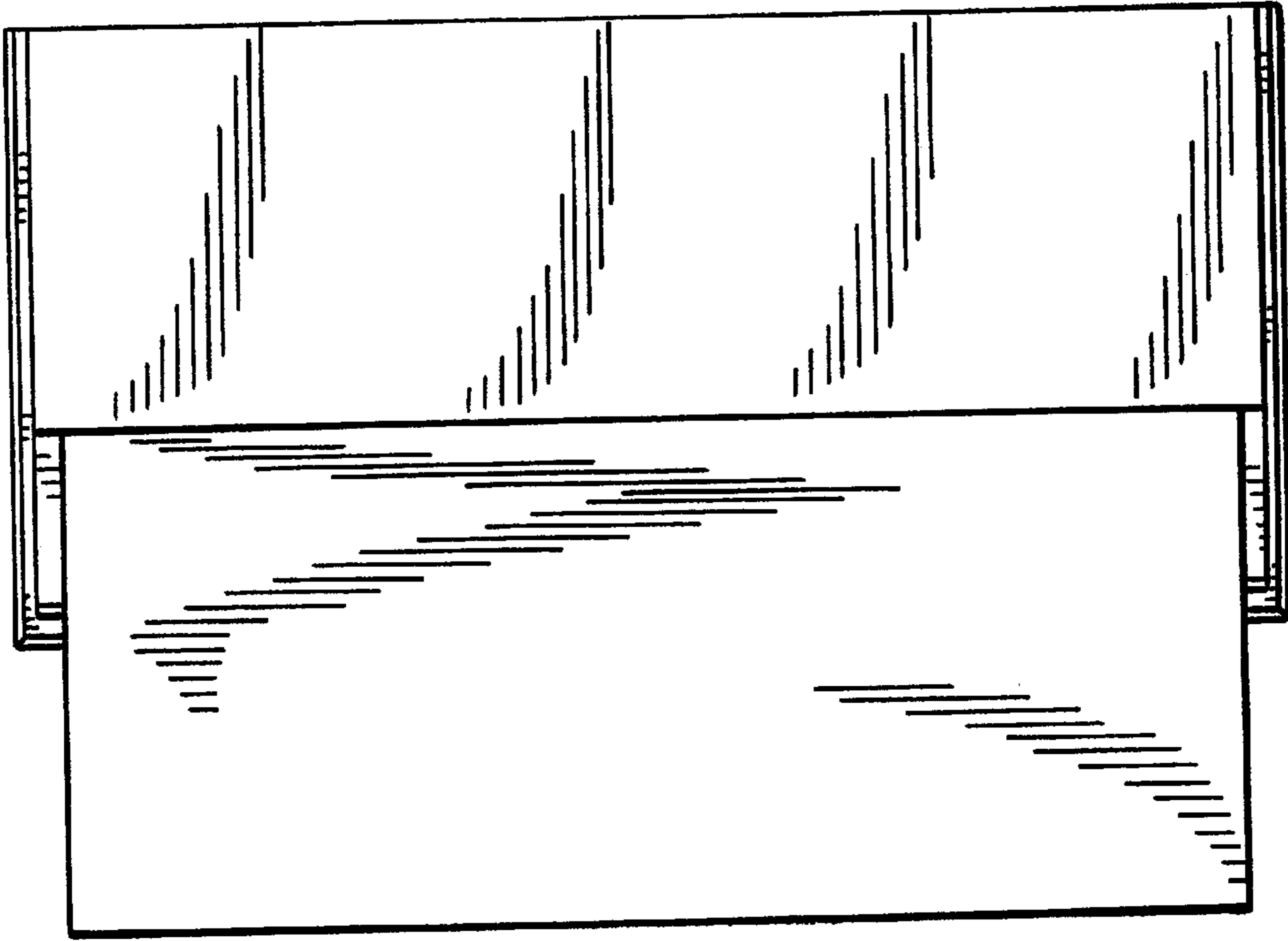
*FIG. 2*



*FIG. 3*



*FIG. 4*



*FIG. 5*