



US00D426979S

United States Patent [19] Hawang

[11] **Patent Number: Des. 426,979**

[45] **Date of Patent: ** Jun. 27, 2000**

[54] **DESK FOR A COMPUTER**

D. 394,965 6/1998 Fang D6/474
D. 396,576 8/1998 Moore D6/422

[75] Inventor: **James Hawang**, Taipei, Taiwan

OTHER PUBLICATIONS

Jacobs Gardner 1988, p. 72, table at top left.

[73] Assignee: **Kenmark Industrial Co., Ltd.**, Taipei, Taiwan

Primary Examiner—Janice E. Seeger
Attorney, Agent, or Firm—Bacon & Thomas

[**] Term: **14 Years**

[57] CLAIM

[21] Appl. No.: **29/110,665**

The ornamental design for a desk for a computer, as shown and described.

[22] Filed: **Sep. 13, 1999**

[51] **LOC (7) Cl.** **06-04**

DESCRIPTION

[52] **U.S. Cl.** **D6/426; D6/474**

FIG. 1 is a perspective view thereof.
FIG. 2 is a front elevation view thereof.
FIG. 3 is a rear elevation view thereof.
FIG. 4 is a left plan elevation view thereof.
FIG. 5 is a right plan elevation view thereof.
FIG. 6 is a top plan view thereof; and,
FIG. 7 is a bottom plan view thereof.

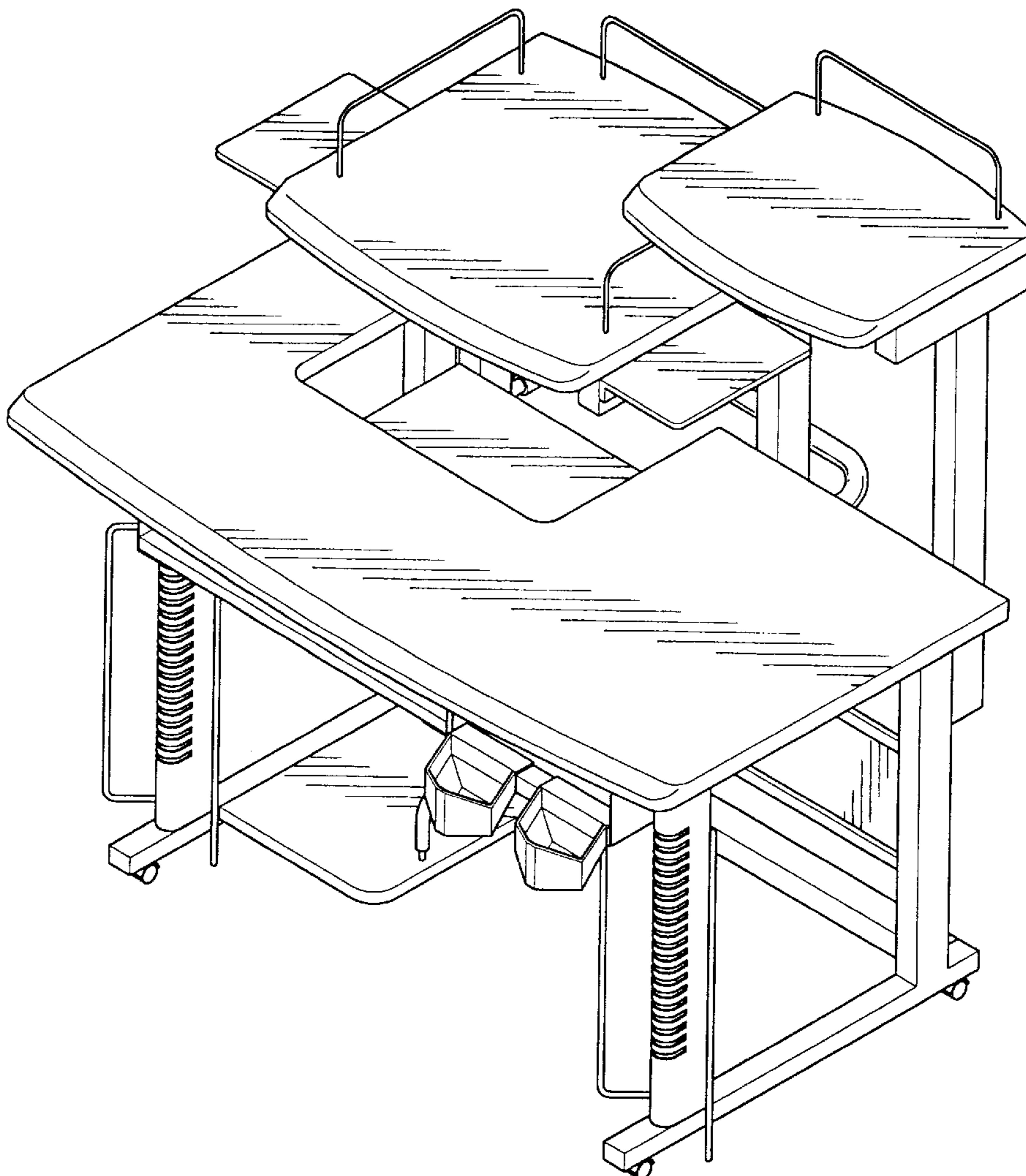
[58] **Field of Search** D6/422–428, 429,
D6/420, 477, 419, 474; 312/194–196, 204,
208.1; 108/50.01, 50.02

[56] References Cited

U.S. PATENT DOCUMENTS

D. 286,353 10/1986 Robolin D6/474
D. 330,297 10/1992 Keong D6/426

1 Claim, 7 Drawing Sheets



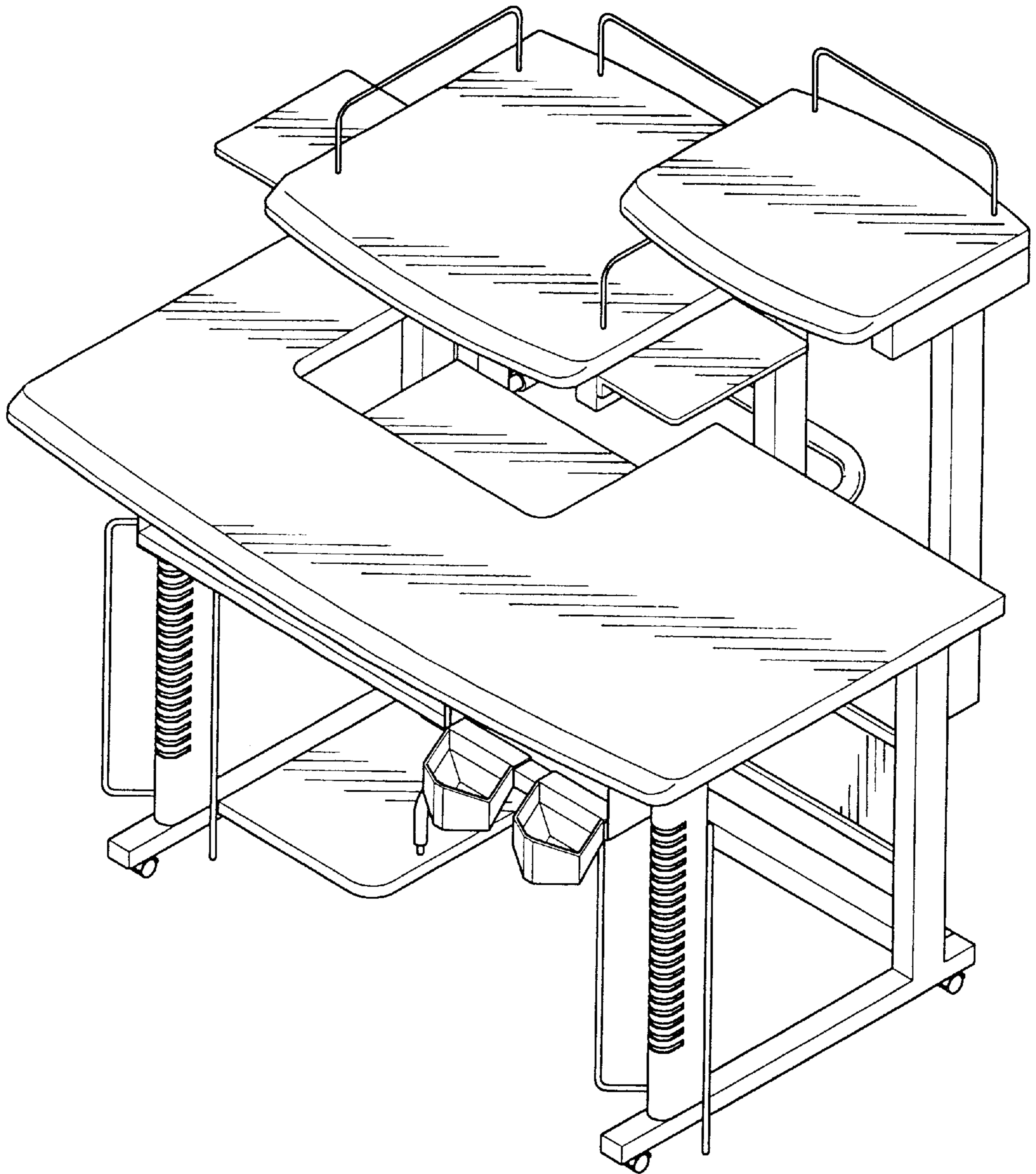


FIG 1

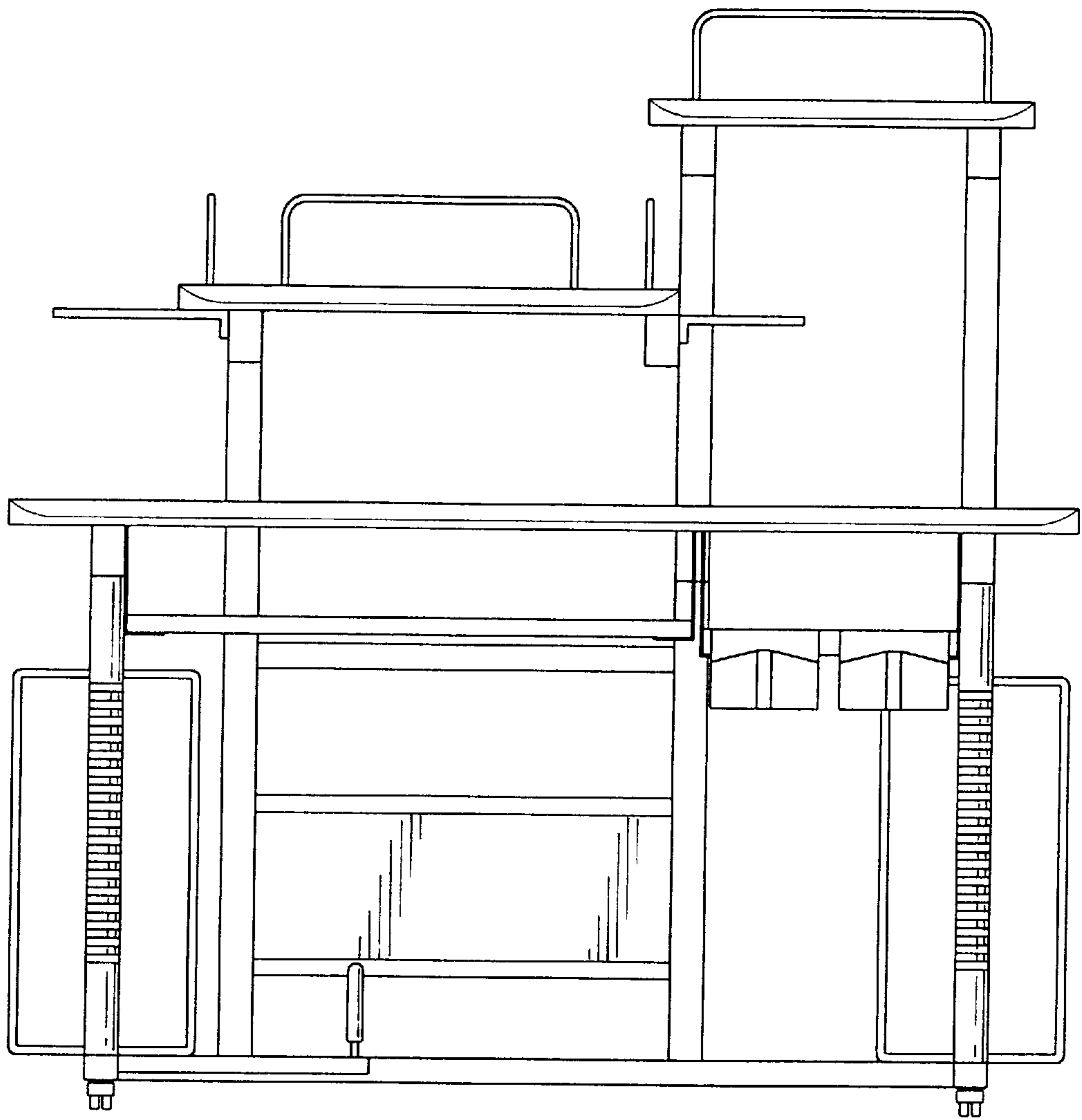


FIG 2

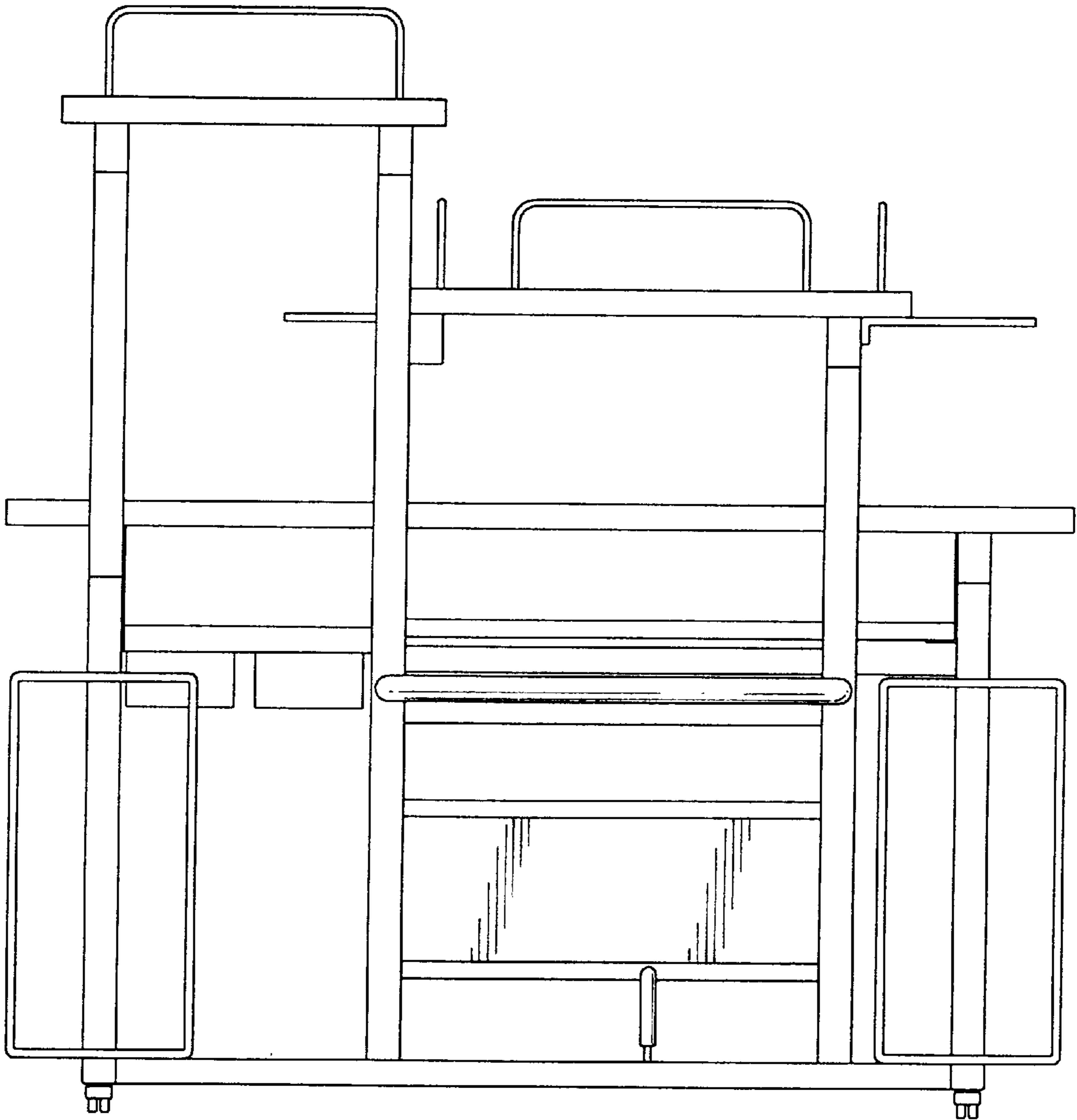


FIG 3

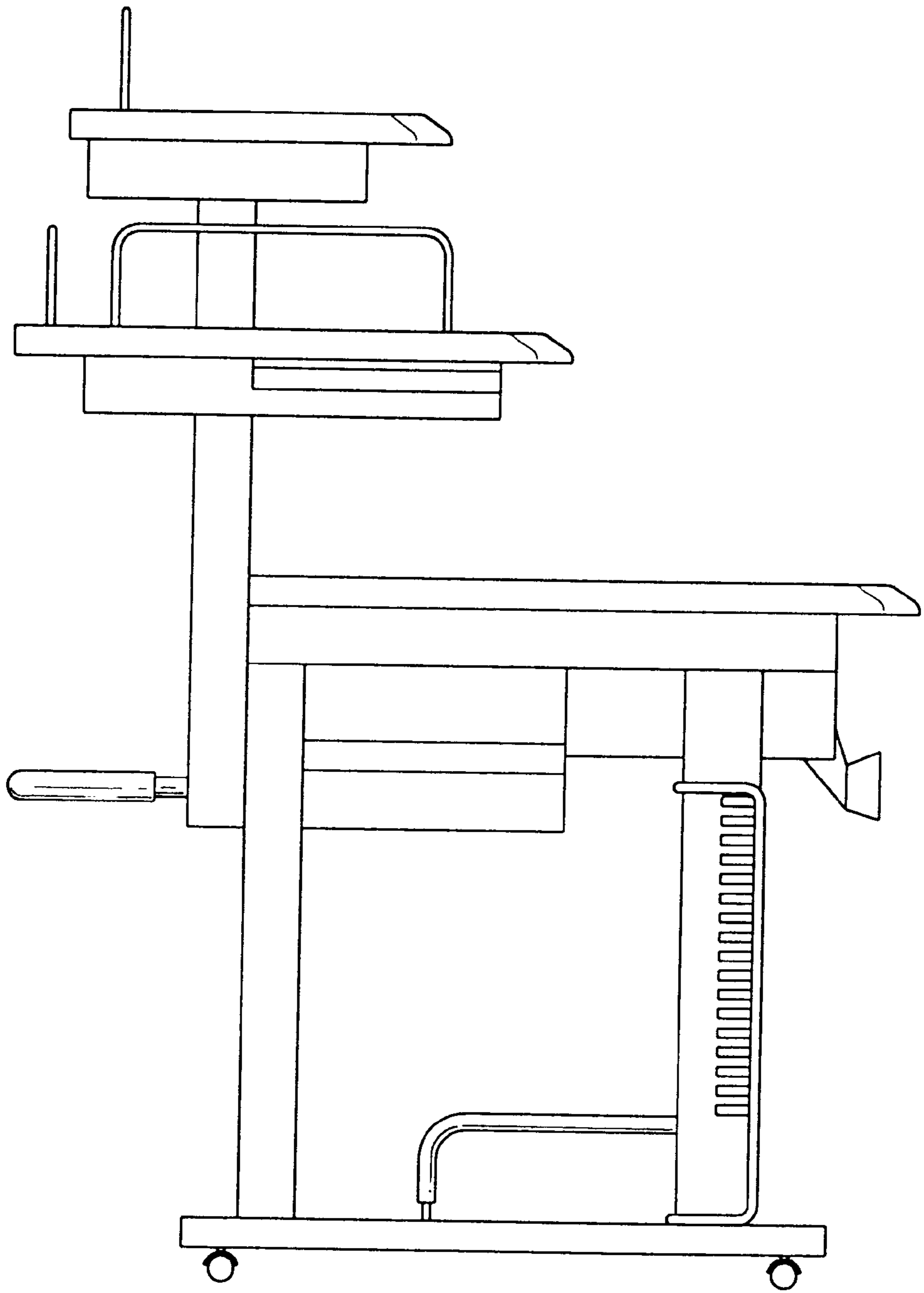


FIG 4

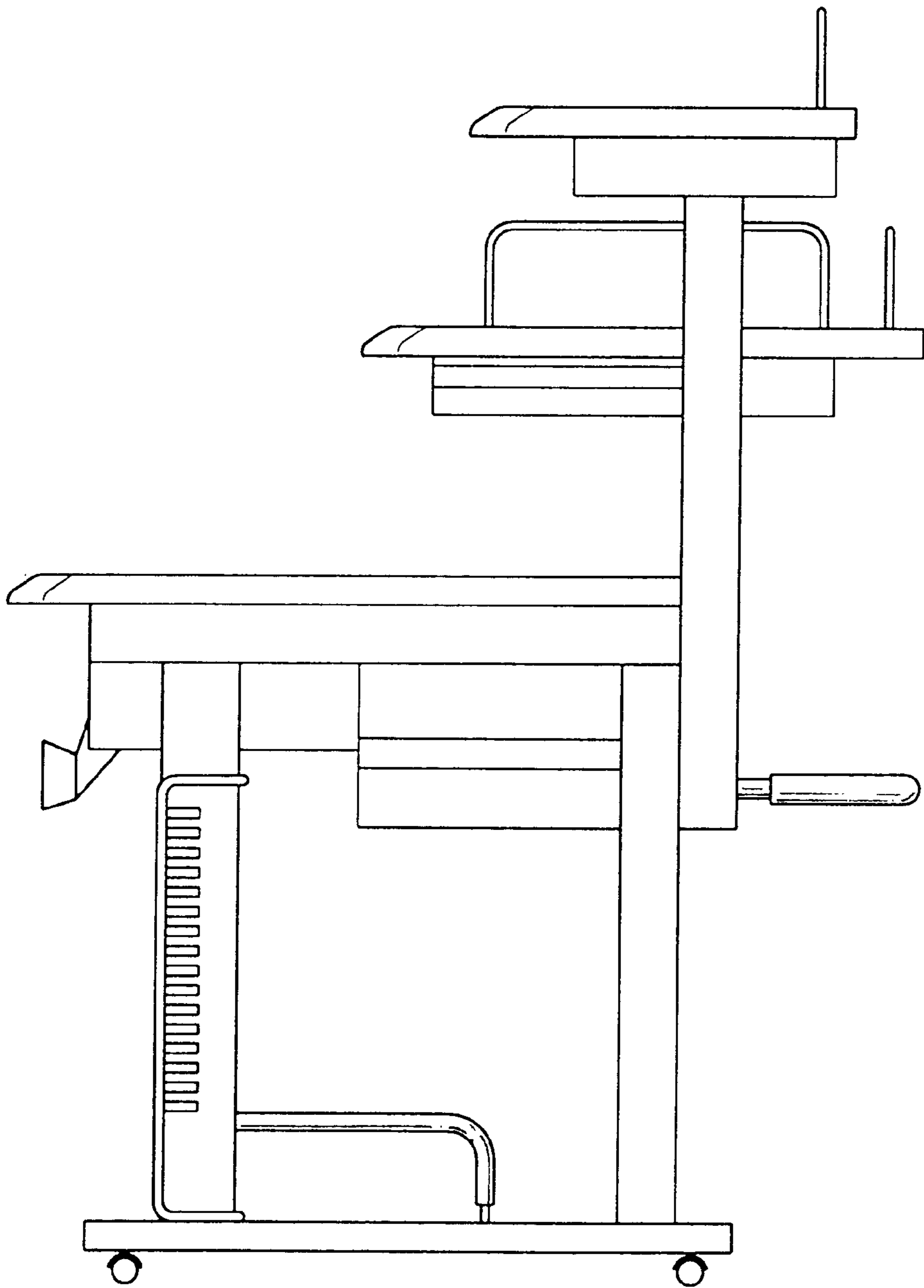


FIG 5

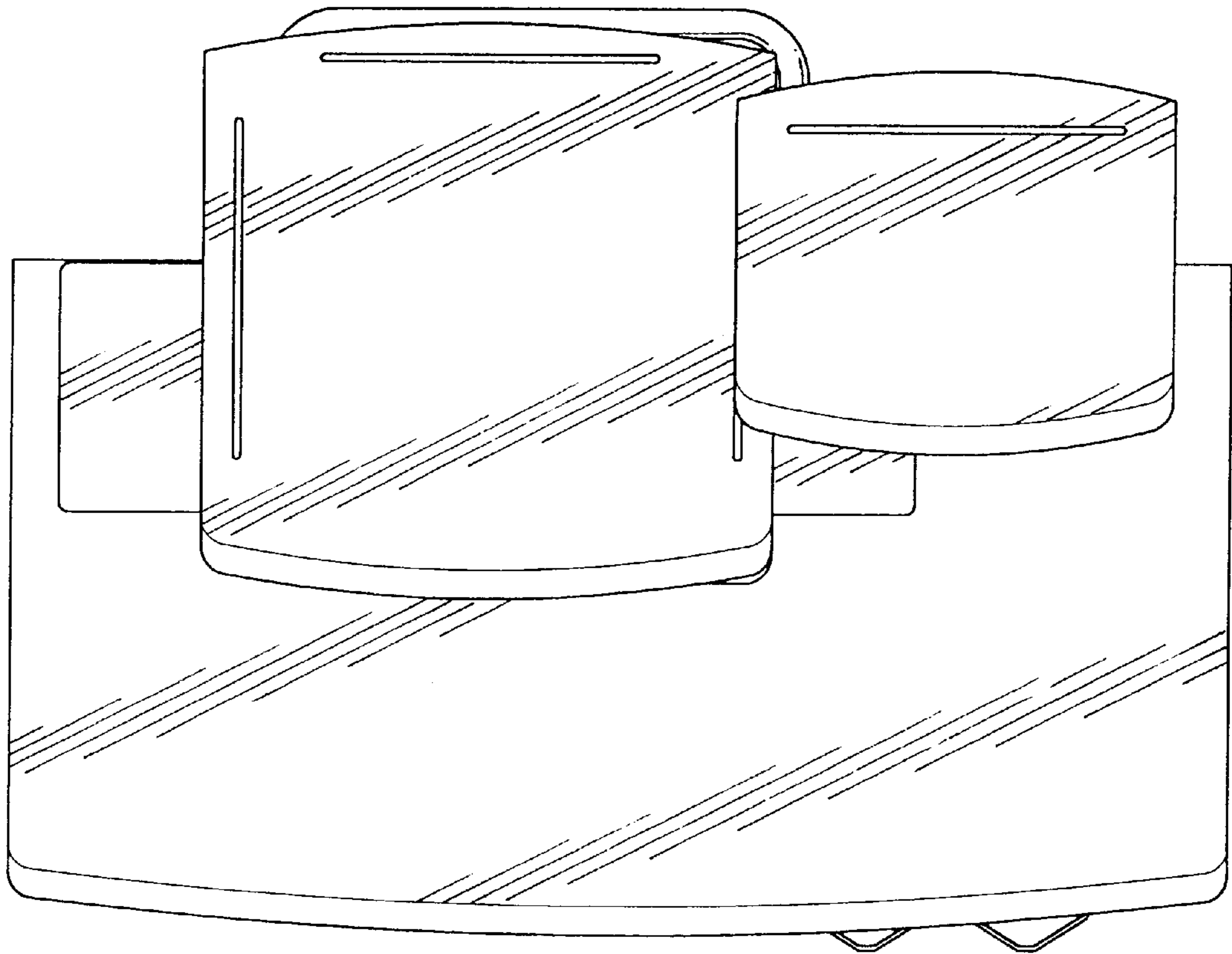


FIG 6

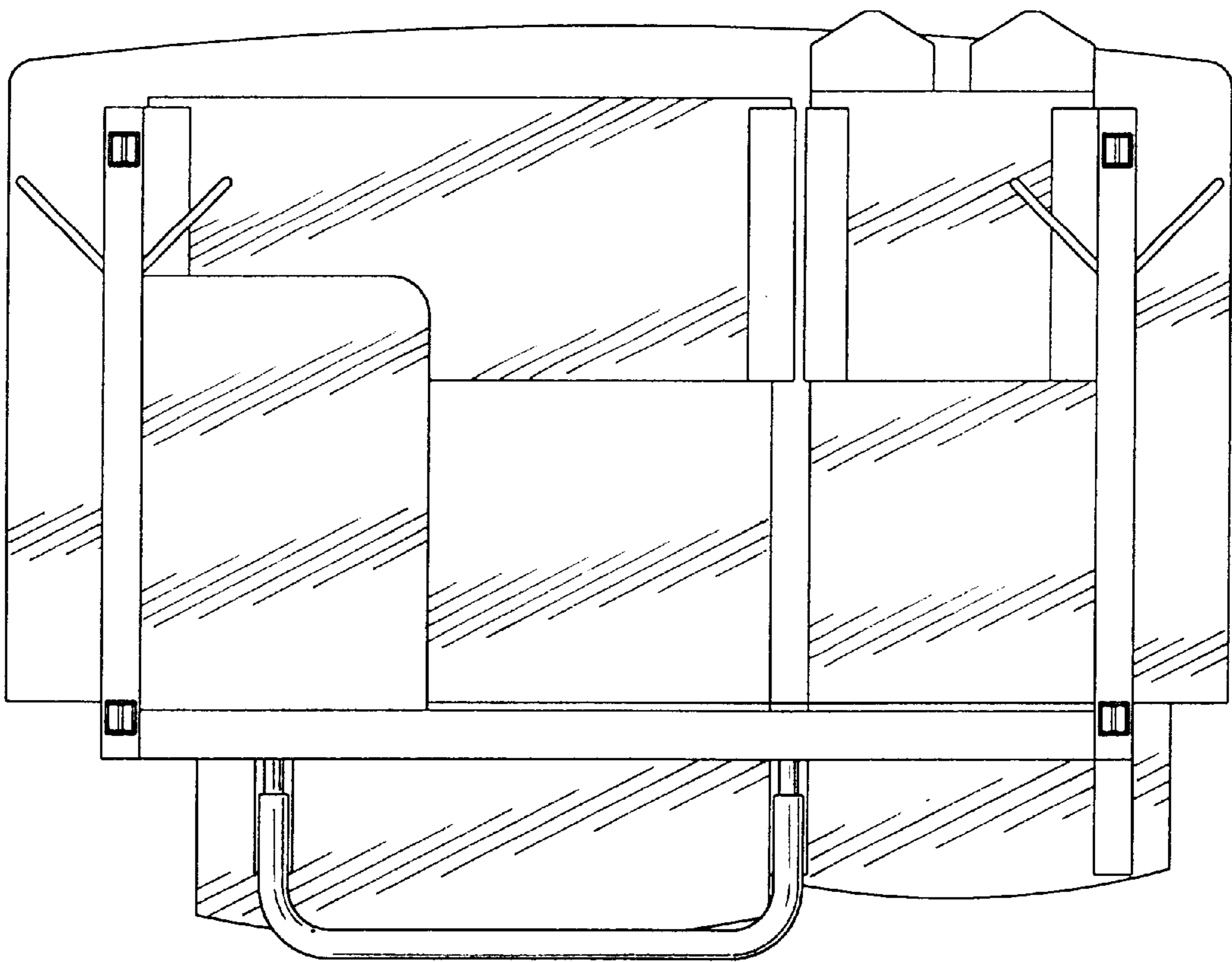


FIG 7