



US00D426972S

**United States Patent** [19]  
**Bellini**

[11] **Patent Number: Des. 426,972**  
[45] **Date of Patent: \*\* Jun. 27, 2000**

[54] **CHAIR**

D. 390,026 2/1998 Blecher ..... D6/375  
D. 409,848 5/1999 Staubach et al. .... D6/334

[75] Inventor: **Mario Bellini**, Milan, Italy

**OTHER PUBLICATIONS**

[73] Assignee: **Heller Incorporated**, New York, N.Y.

Grosfillex Contract, p. 10, chair at bottom, 1989.

[\*\*] Term: **14 Years**

*Primary Examiner*—Gary D. Watson  
*Attorney, Agent, or Firm*—Gottlieb, Rackman & Reisman,  
P.C.

[21] Appl. No.: **29/110,896**

[22] Filed: **Sep. 15, 1999**

[57] **CLAIM**

[51] **LOC (7) Cl.** ..... **06-01**

The ornamental design for a chair, as shown and described.

[52] **U.S. Cl.** ..... **D6/375; D6/334**

**DESCRIPTION**

[58] **Field of Search** ..... D6/334, 370, 374,  
D6/375, 379, 380, 500, 501, 502; 297/239,  
445.1, 446.1, DIG. 2

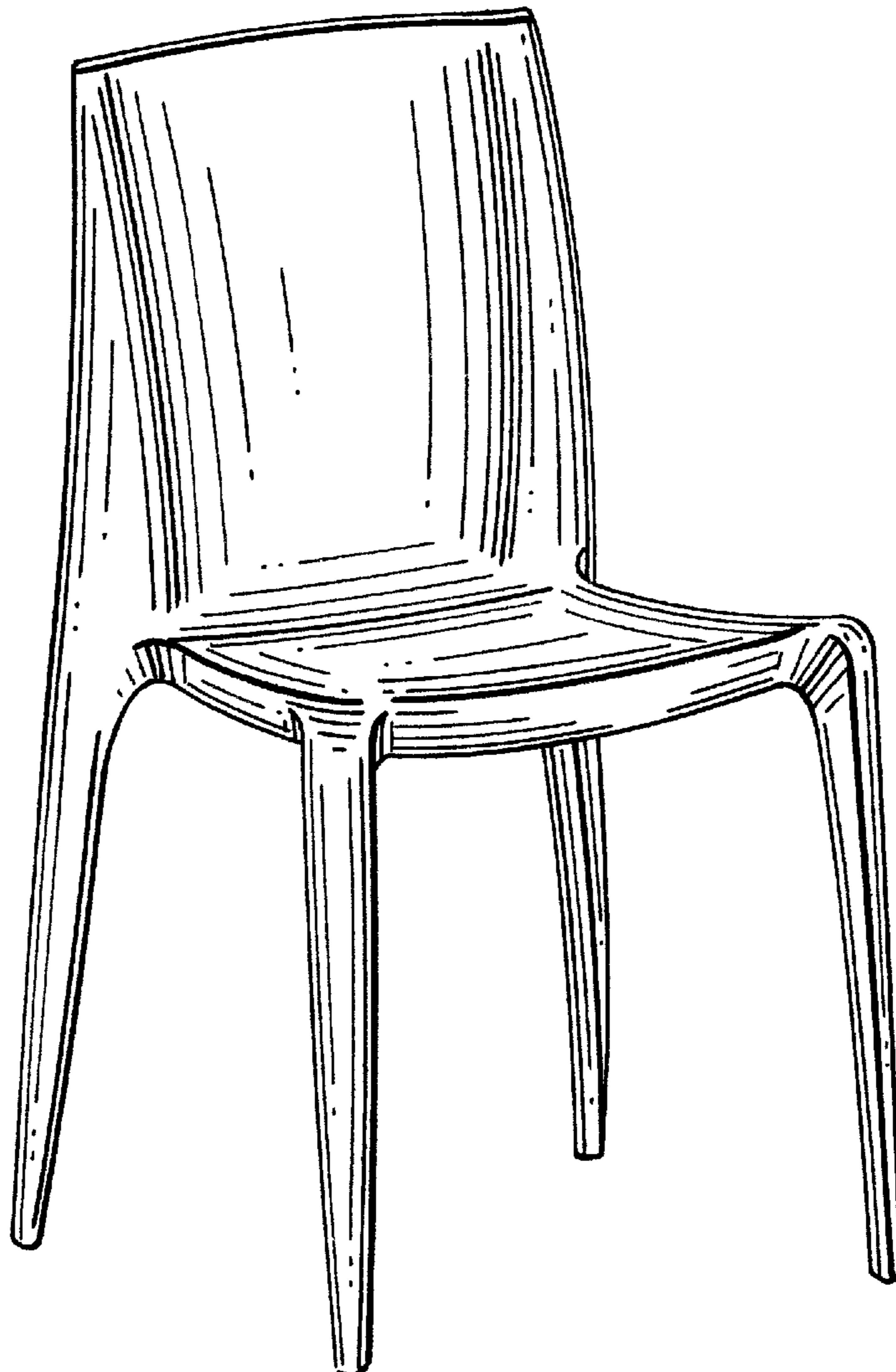
FIG. 1 is a front perspective view;  
FIG. 2 is a top plan view thereof;  
FIG. 3 is a front view thereof;  
FIG. 4 is a right side view thereof, and left side being a  
mirror image;  
FIG. 5 is a rear view thereof; and,  
FIG. 6 is a bottom view thereof.

[56] **References Cited**

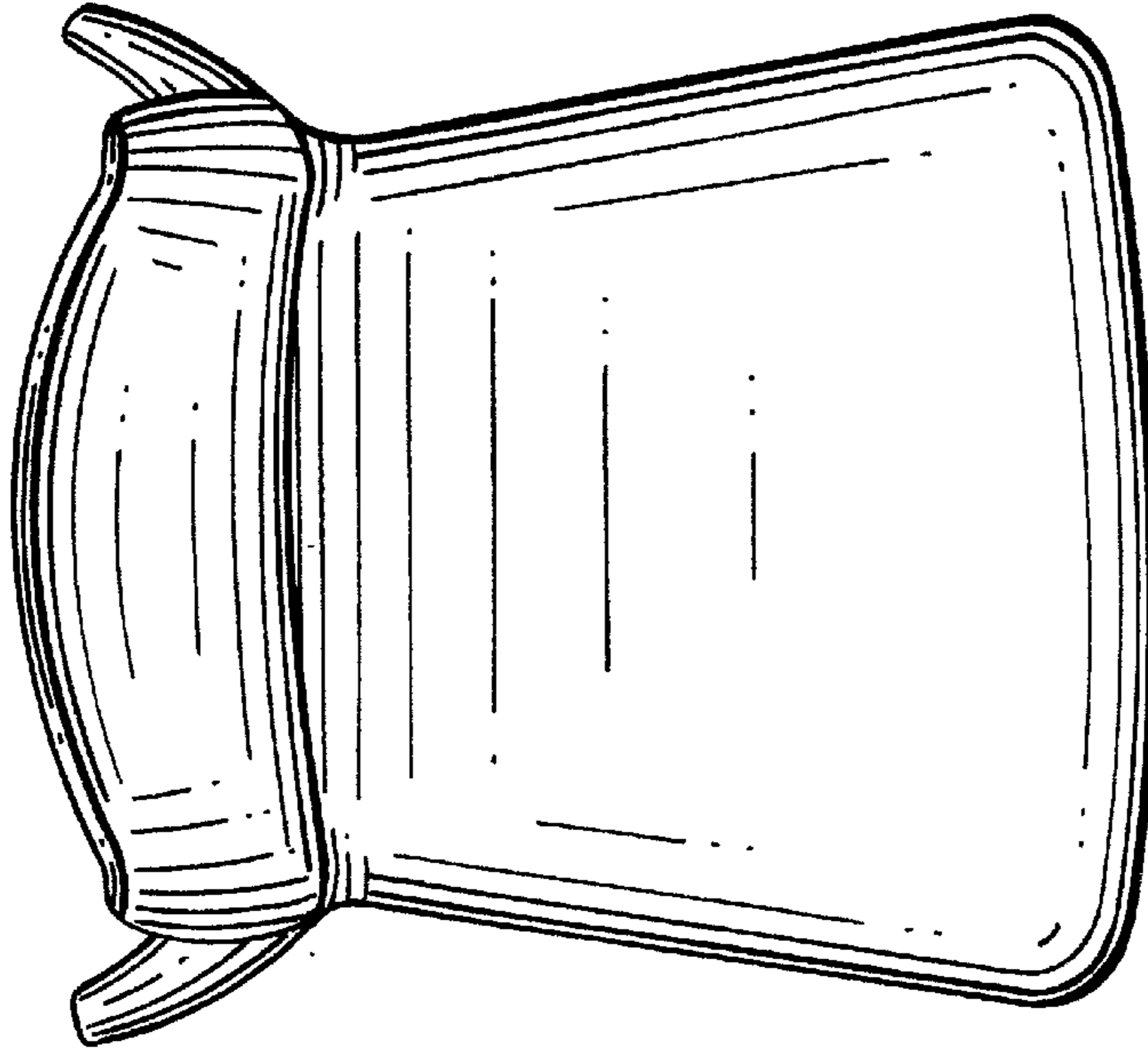
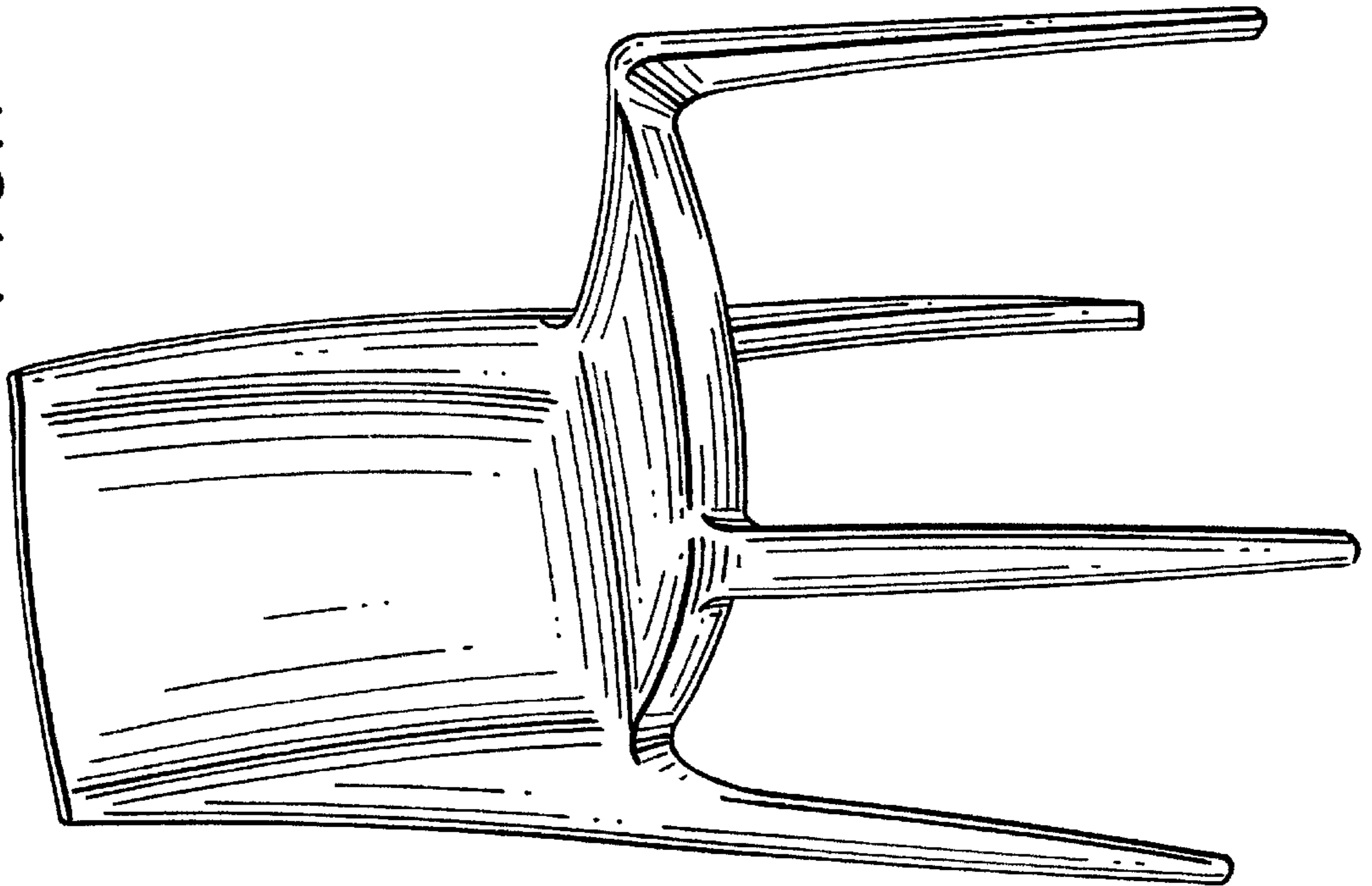
**U.S. PATENT DOCUMENTS**

D. 256,970 9/1980 Cassina ..... D6/334  
D. 348,788 7/1994 Starck ..... D6/375  
D. 359,397 6/1995 McPhee ..... D6/370

**1 Claim, 3 Drawing Sheets**



*FIG. 1*



*FIG. 2*

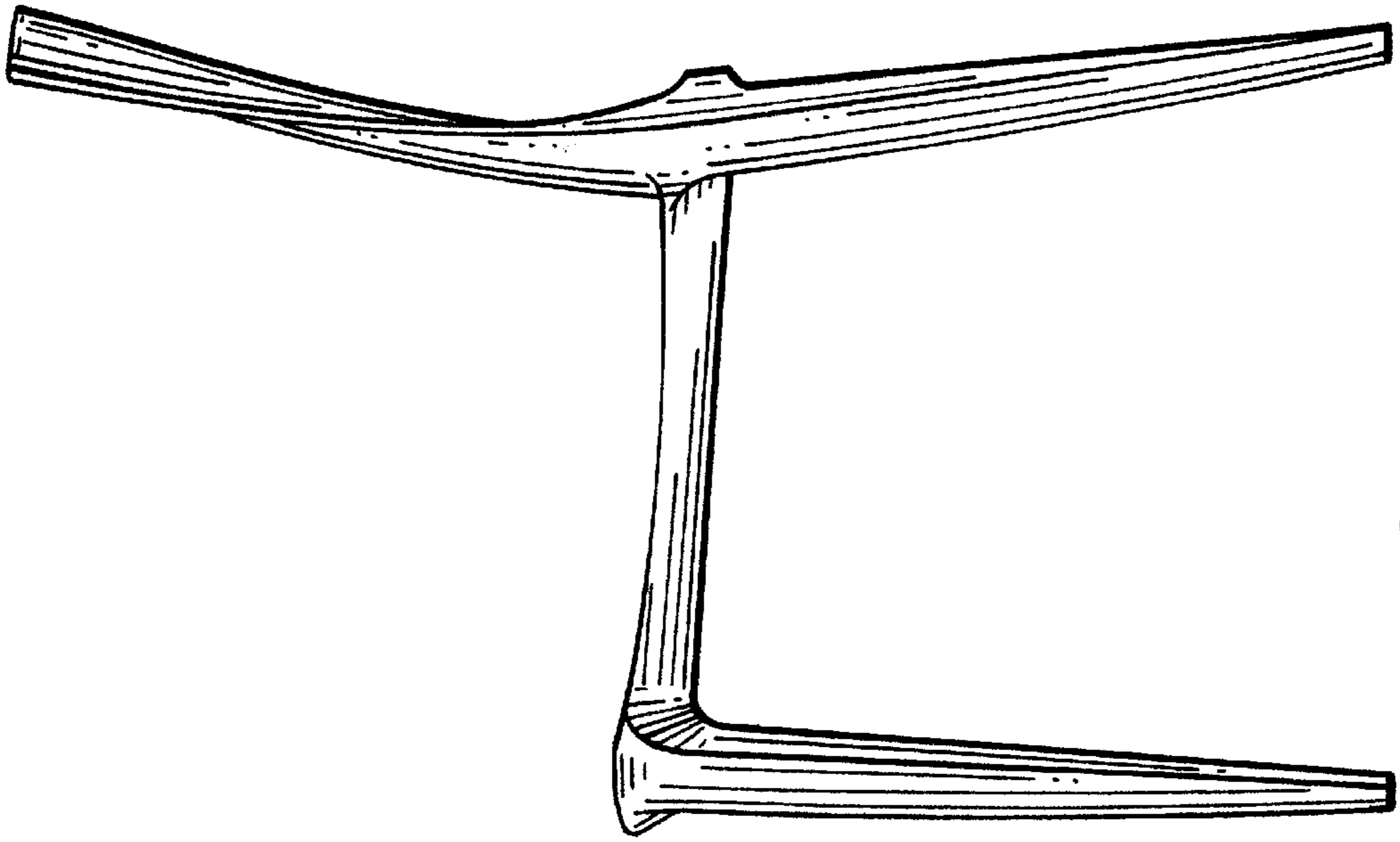
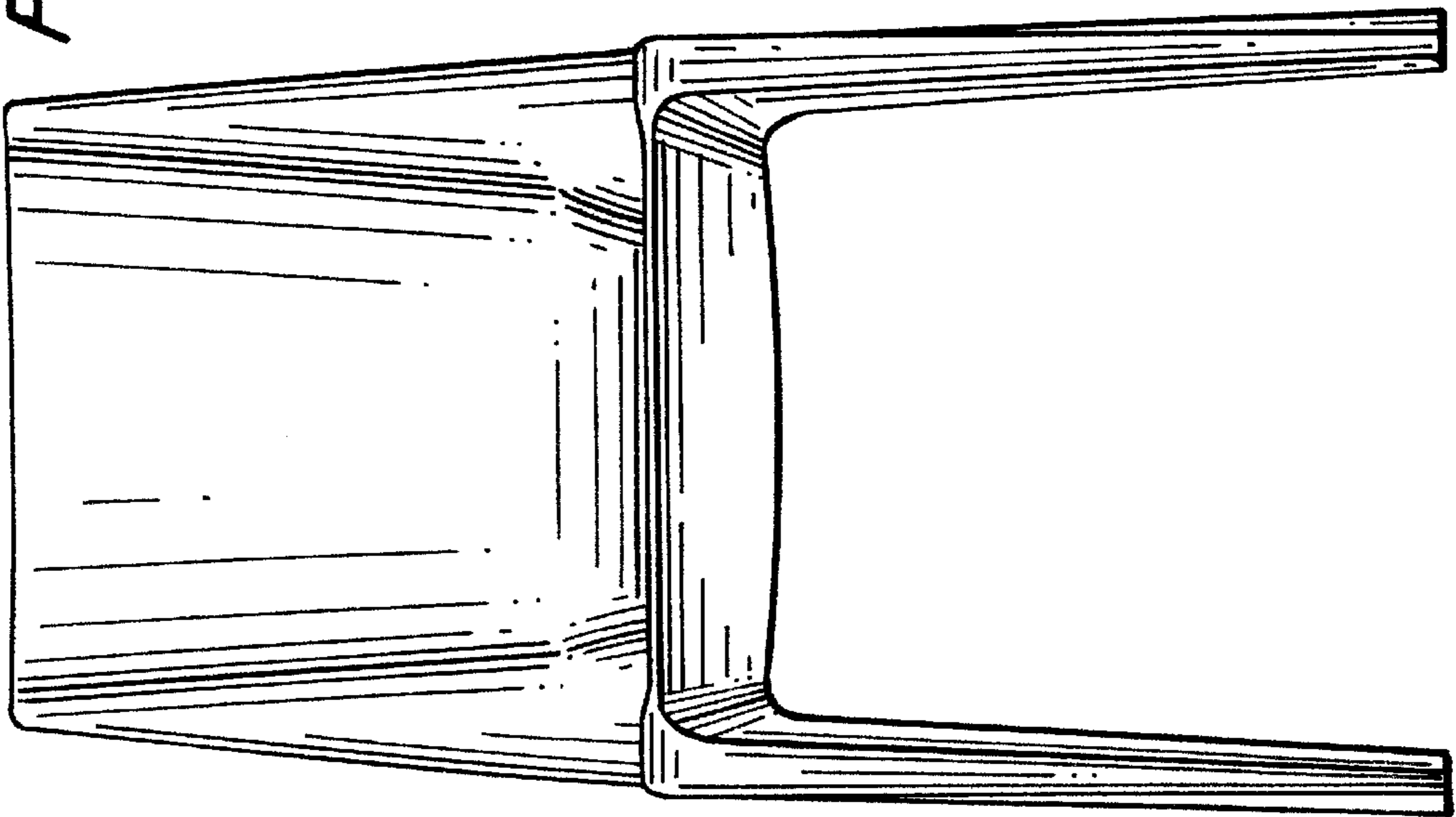


FIG. 4

FIG. 3



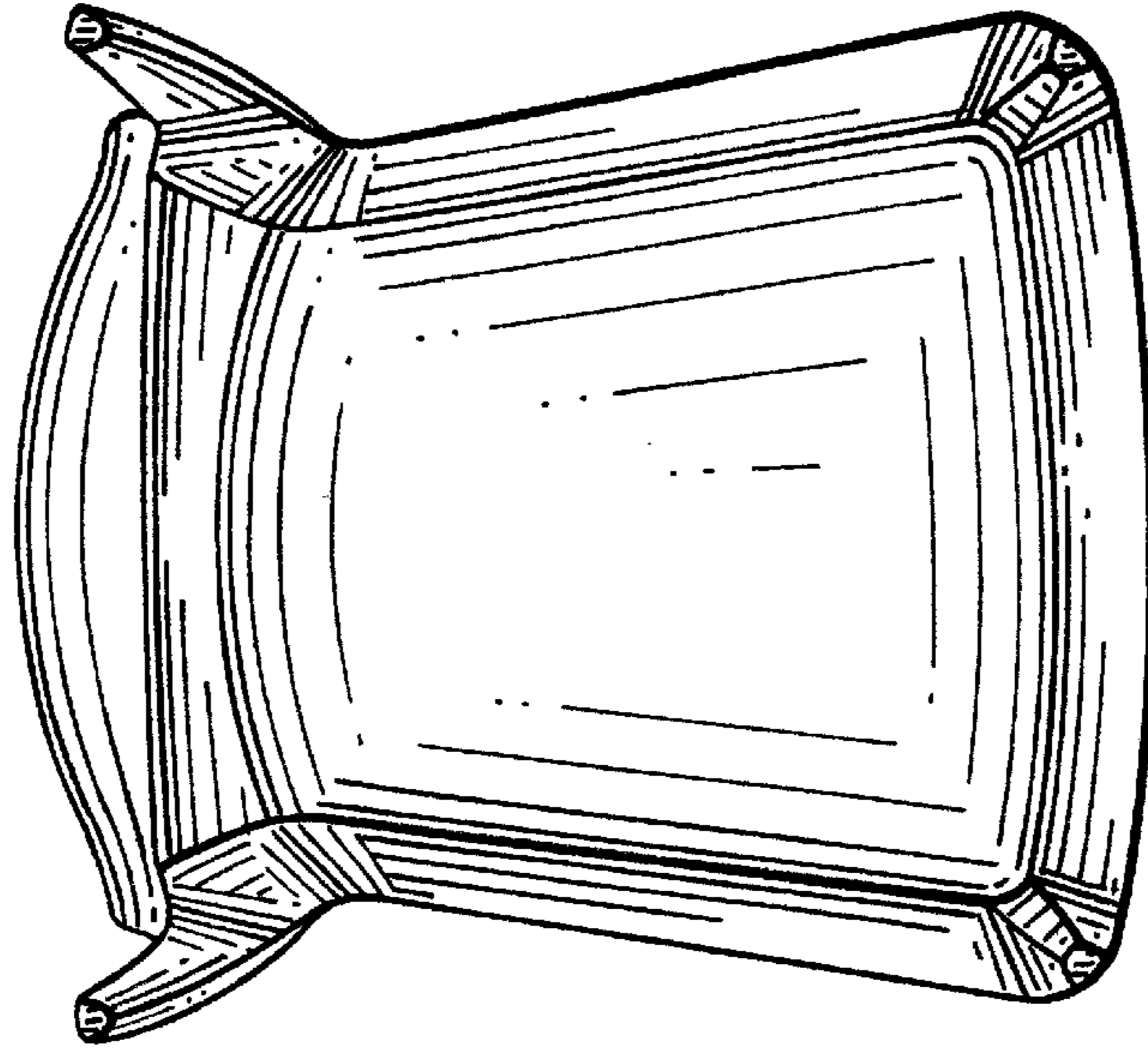


FIG. 6

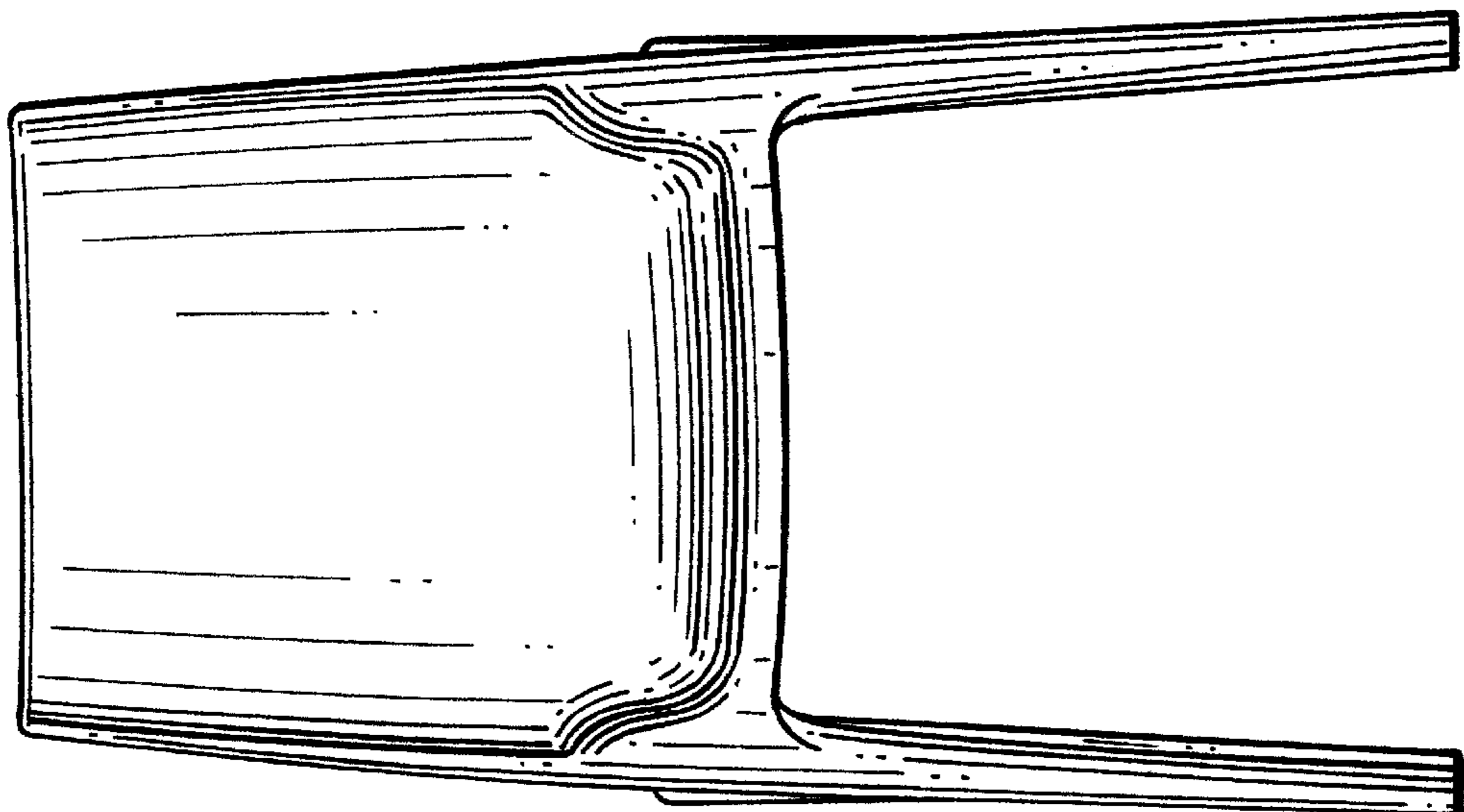


FIG. 5