



US00D426971S

United States Patent [19] Tseng

[11] **Patent Number: Des. 426,971**
[45] **Date of Patent: ** Jun. 27, 2000**

[54] **LAWN CHAIR**

[75] **Inventor: Chuen-Jong Tseng, Chiayi Hsien, Taiwan**

[73] **Assignee: Shin Yen Enterprise Co., Ltd., Chiayi Hsien, Taiwan**

[**] **Term: 14 Years**

[21] **Appl. No.: 29/105,768**

[22] **Filed: Jun. 2, 1999**

[51] **LOC (7) Cl. 06-01**

[52] **U.S. Cl. D6/375; D6/379**

[58] **Field of Search D6/334, 370, 374, D6/375, 376, 379, 500, 501, 502; 297/411.42, 445.1**

D. 341,036	11/1993	Schwartz	D6/370
D. 342,628	12/1993	Tseng	D6/370
D. 354,405	1/1995	Greene	D6/370
D. 354,634	1/1995	Scheper et al.	D6/375

OTHER PUBLICATIONS

Winston Furniture, P. 60, Sling Chair #8202-R at left, 1990-1991.

Primary Examiner—Gary D. Watson
Attorney, Agent, or Firm—Ladas & Parry

[57] CLAIM

The ornamental design for a lawn chair, as shown and described.

DESCRIPTION

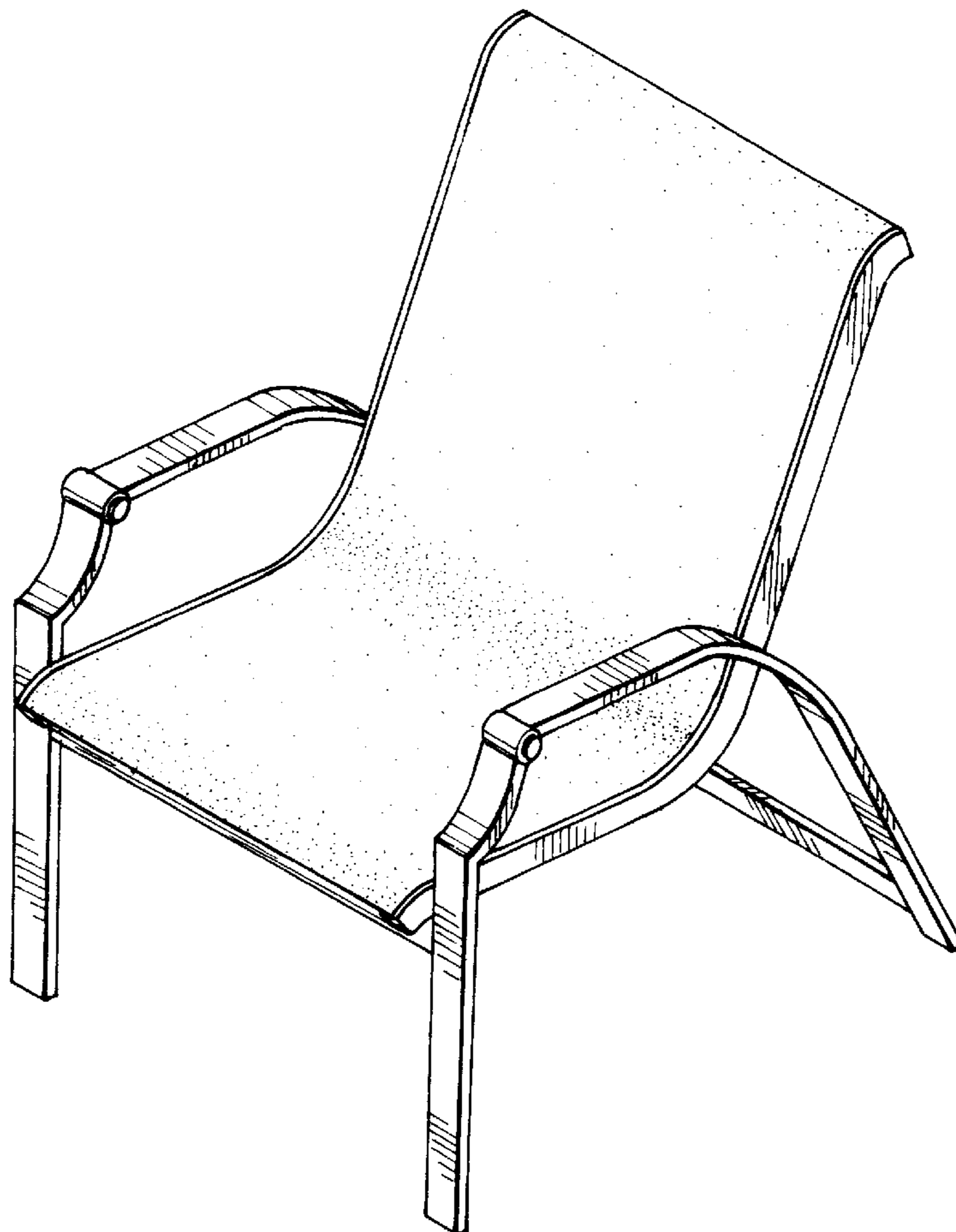
FIG. 1 is a perspective view of a lawn chair showing my new design;
FIG. 2 is a front elevational view thereof;
FIG. 3 is a rear elevational view thereof;
FIG. 4 is a left side elevational view thereof;
FIG. 5 is a right side elevational view thereof;
FIG. 6 is a top plan view thereof; and,
FIG. 7 is a bottom plan view thereof.

1 Claim, 4 Drawing Sheets

[56] References Cited

U.S. PATENT DOCUMENTS

D. 145,678	10/1946	Roth	D6/375
D. 182,748	5/1958	Vanderminde	D6/379
D. 289,349	4/1987	Vanderminde	D6/379
D. 300,189	3/1989	Frinier	D6/379
D. 308,770	6/1990	Frinier	D6/379
D. 337,446	7/1993	Gibbs	D6/370



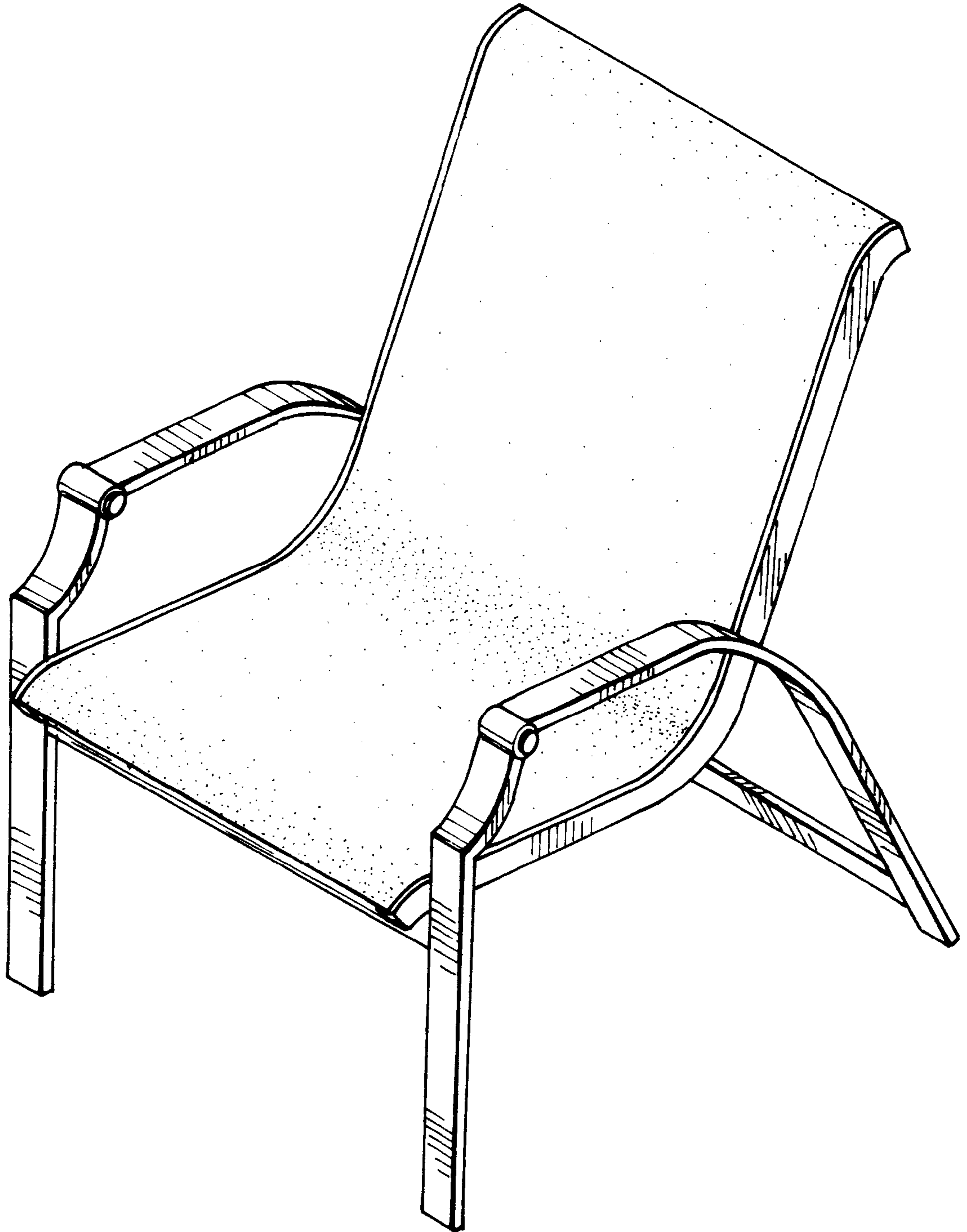


FIG. 1

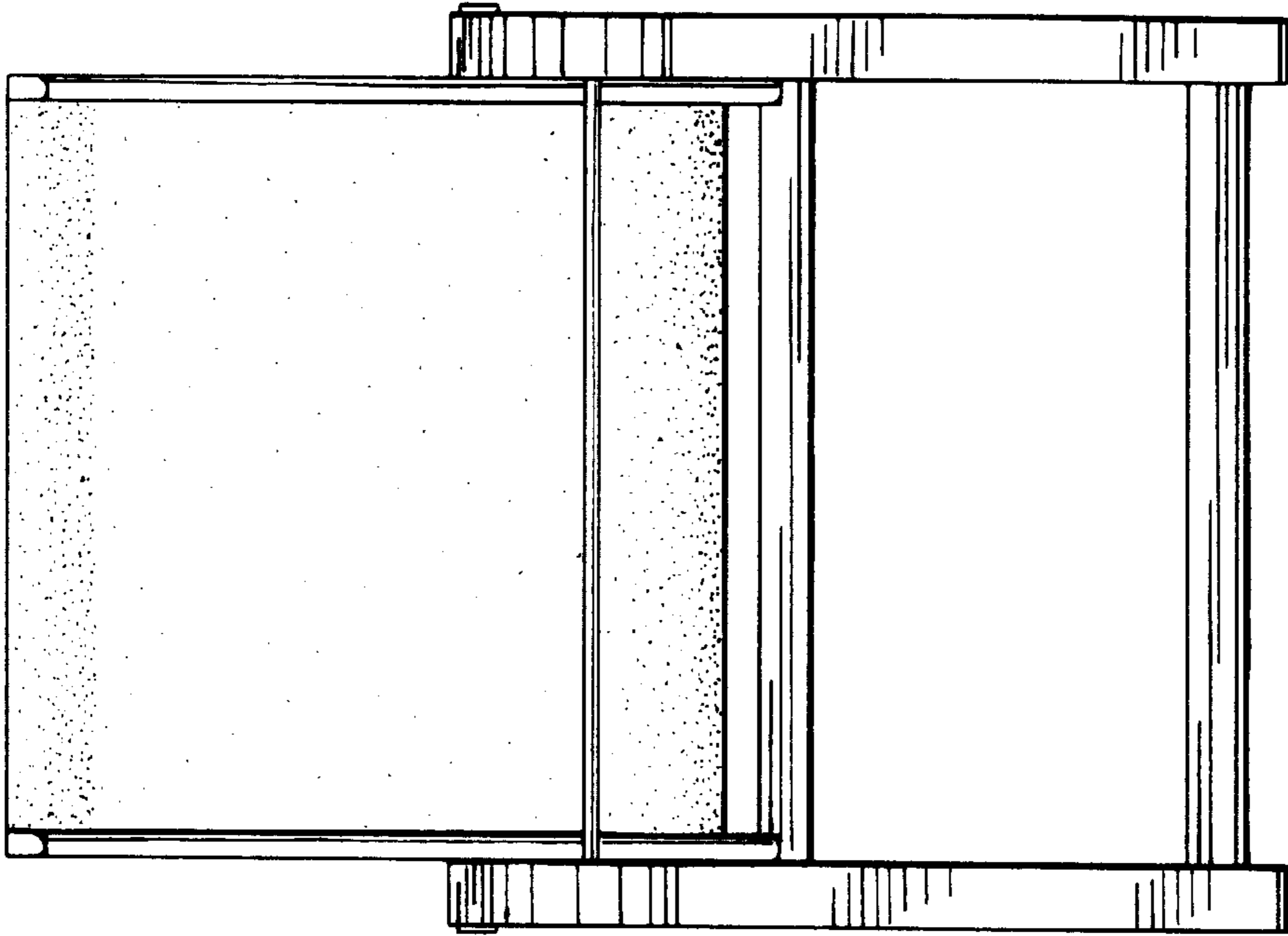


FIG. 3

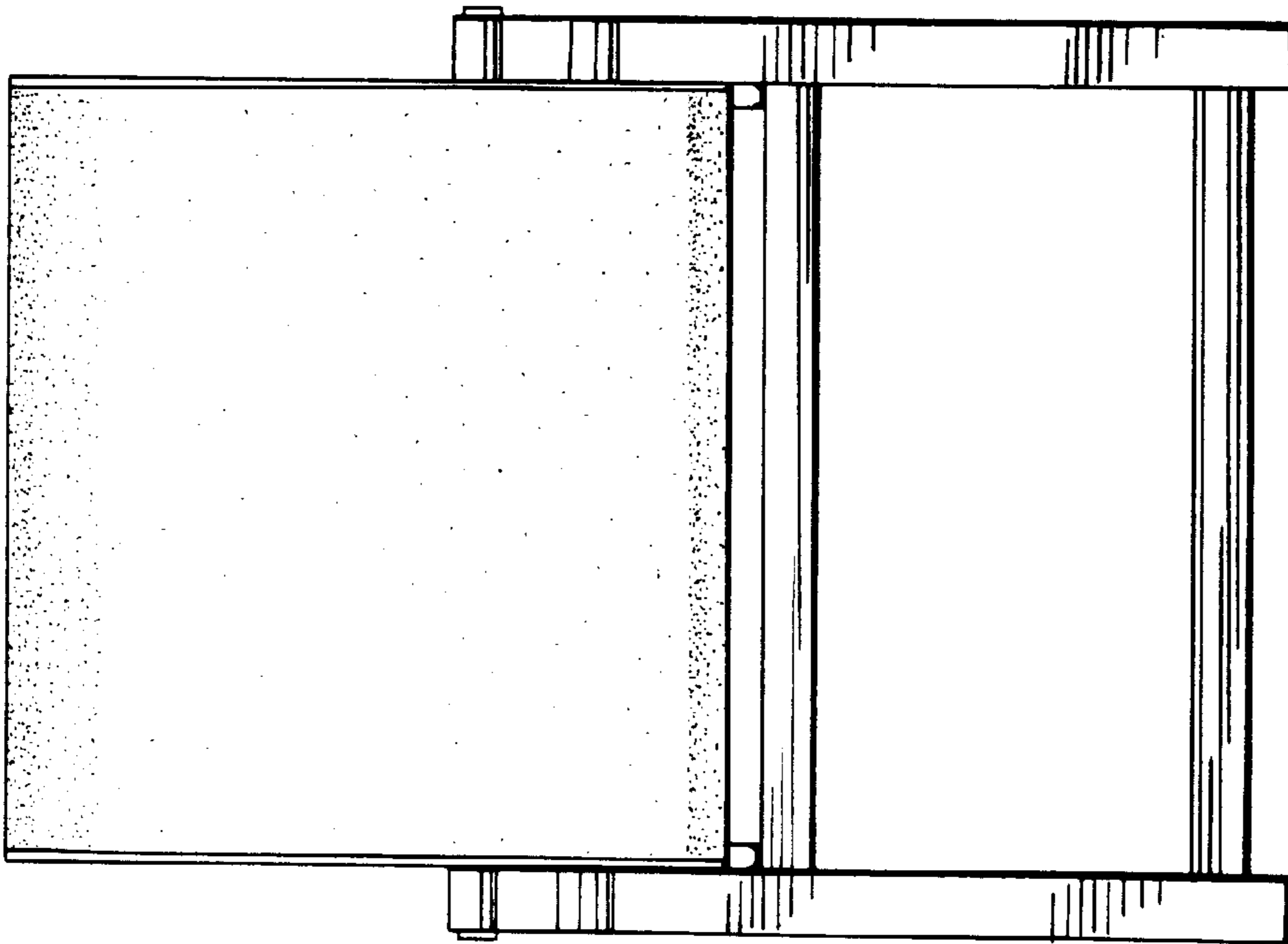


FIG. 2

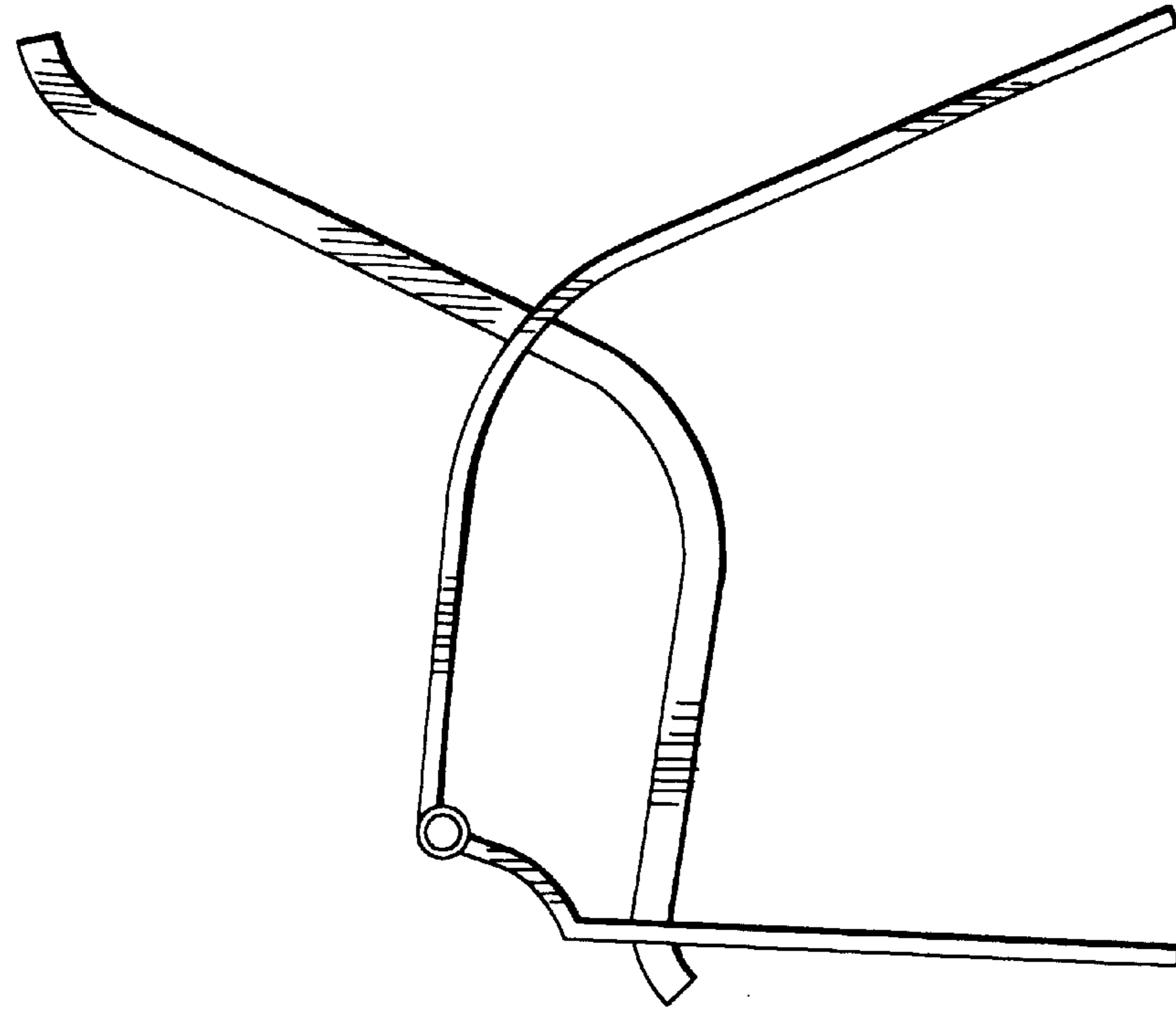


FIG. 5

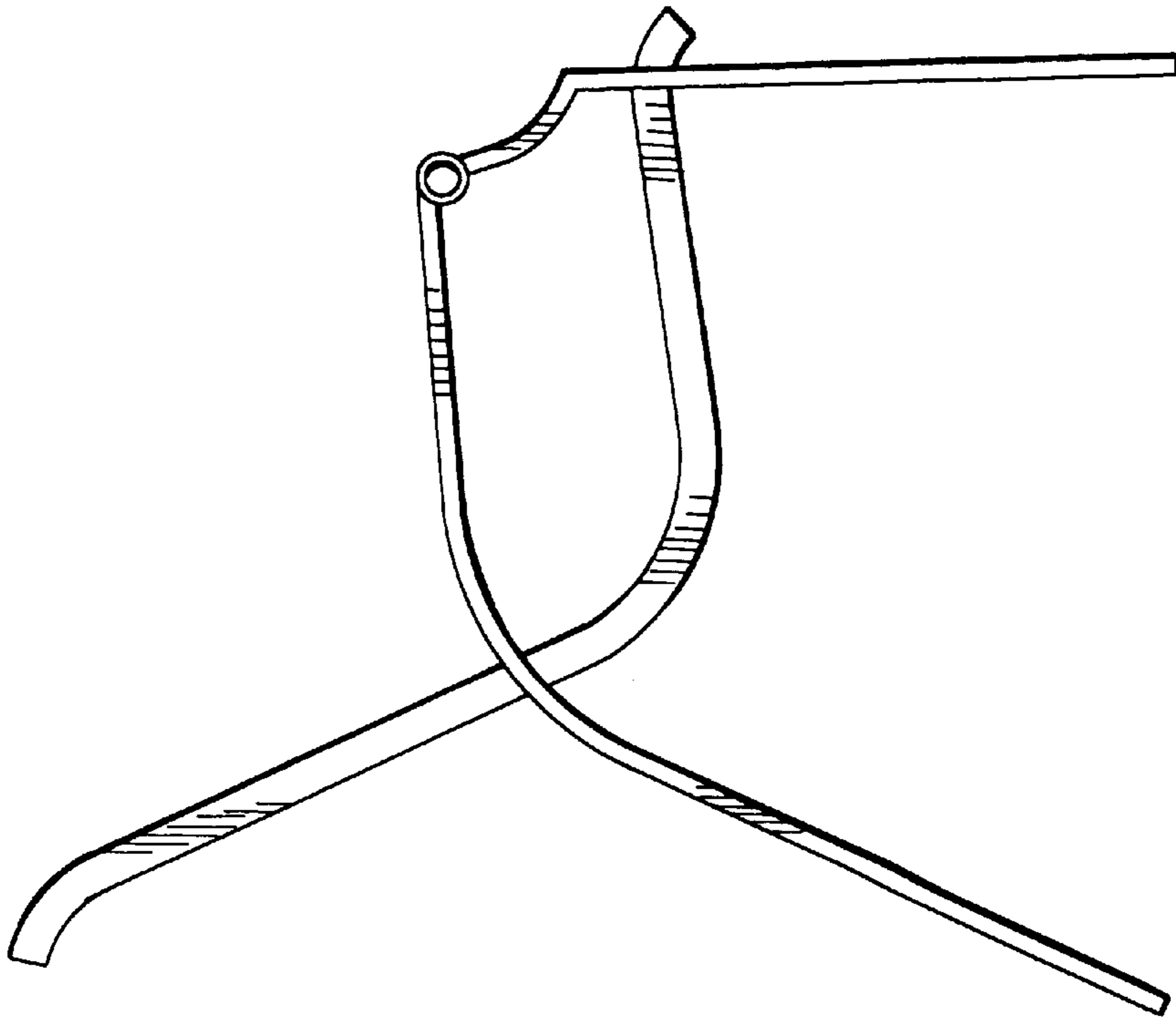


FIG. 4

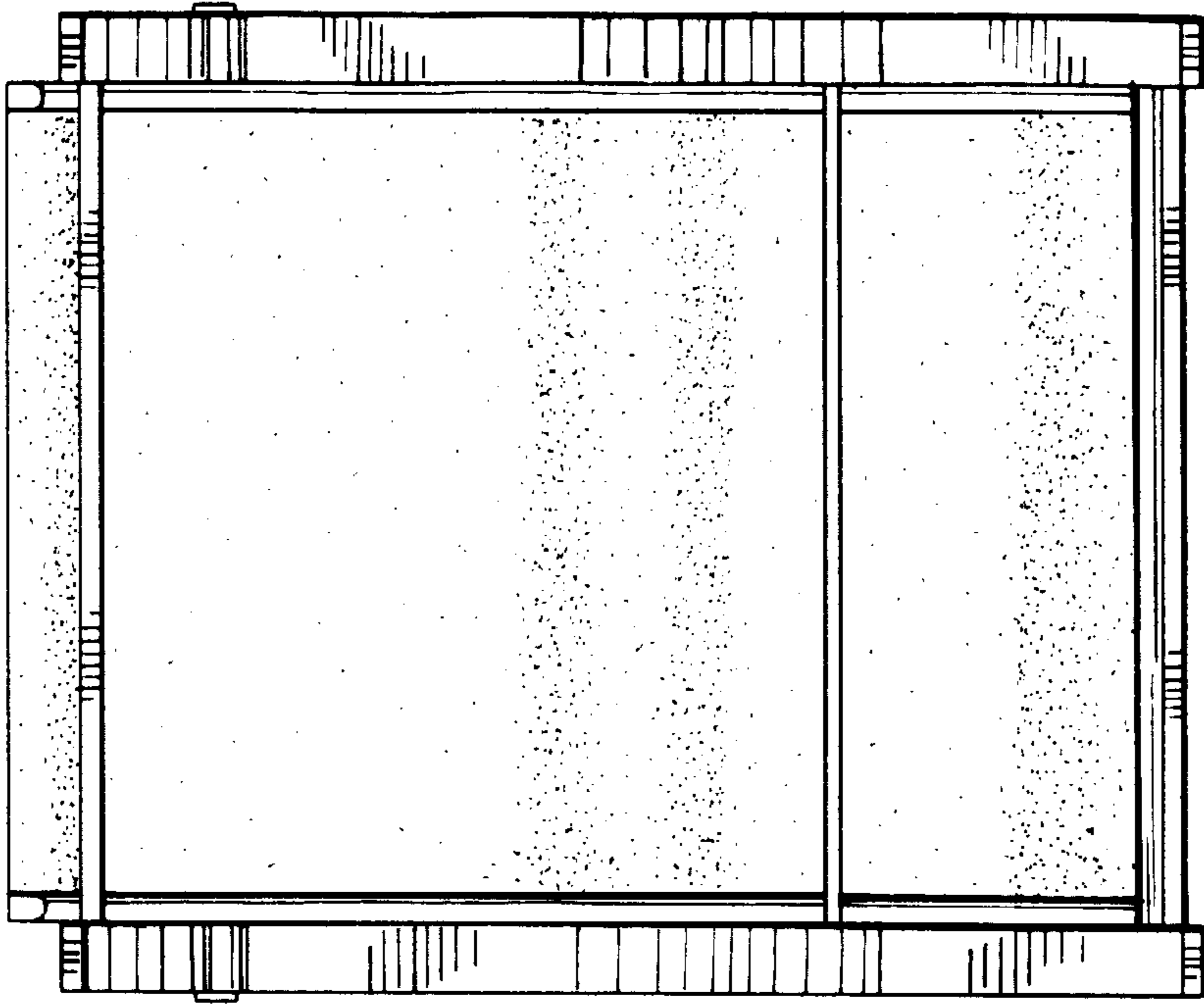


FIG. 7

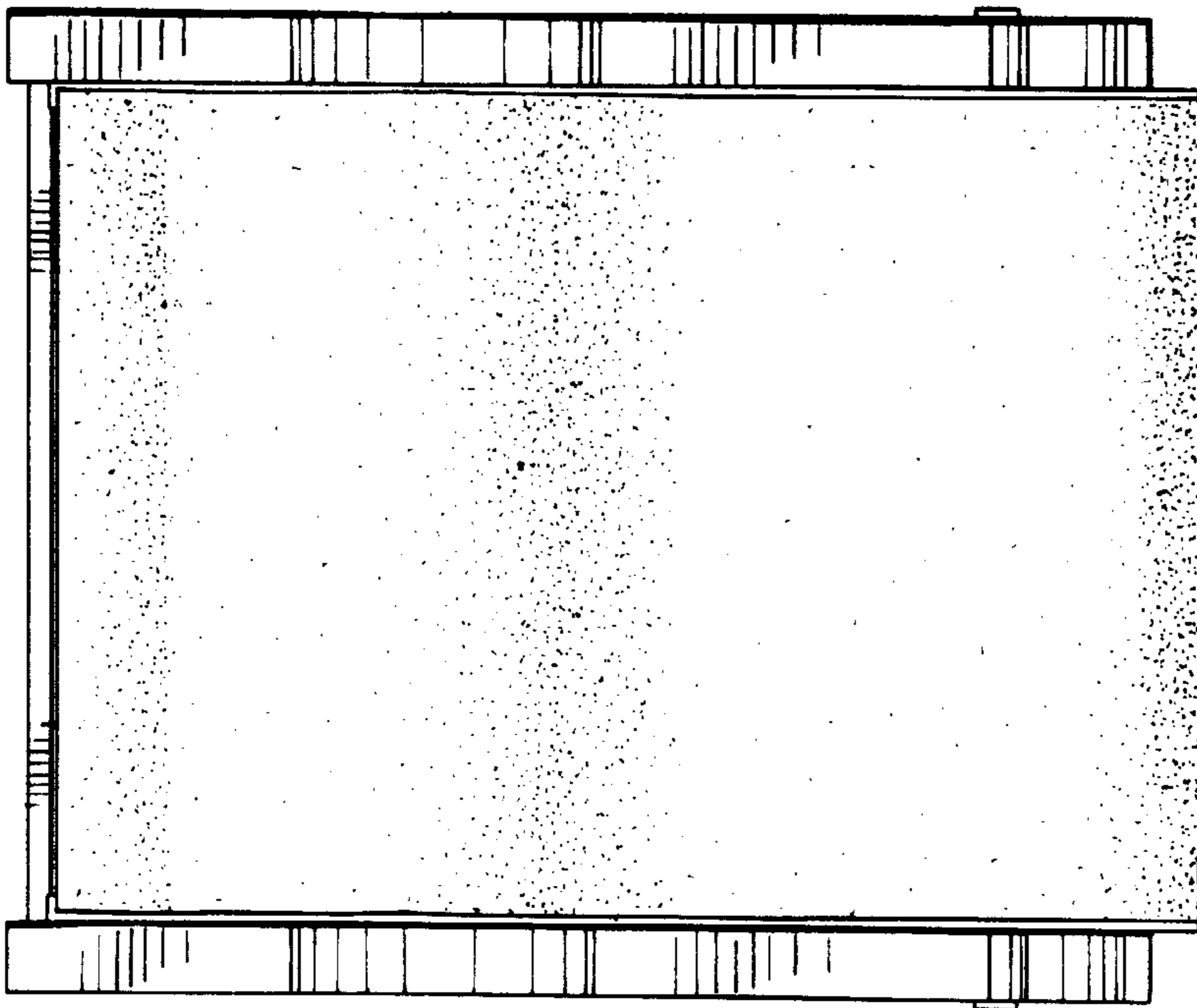


FIG. 6