



US00D426965S

# United States Patent [19] Wu

[11] **Patent Number: Des. 426,965**  
[45] **Date of Patent: \*\* Jun. 27, 2000**

[54] **BABY CHAIR AND TRAY**

5,951,102 9/1999 Poulson et al. .... 297/467

[76] Inventor: **Sung-Tsun Wu**, 8F-1, No. 249,  
Chung-Ching Road, Pan Chiao City,  
Taipei Hsien, Taiwan

### OTHER PUBLICATIONS

#10, Gerry's Adjust-A-height chair, Best Catalog, p. 439,  
1992/1993.

[\*\*] Term: **14 Years**

*Primary Examiner*—Doris V. Coles  
*Assistant Examiner*—Mimosa De  
*Attorney, Agent, or Firm*—Bacon & Thomas, PLLC

[21] Appl. No.: **29/113,049**

[22] Filed: **Oct. 29, 1999**

### [57] CLAIM

[51] **LOC (7) Cl.** ..... **06-01**

The ornamental design for a baby chair and tray, as shown.

[52] **U.S. Cl.** ..... **D6/339**

### DESCRIPTION

[58] **Field of Search** ..... D6/333, 334, 335,  
D6/336, 338, 339, 344, 347, 348, 362,  
379, 390, 391, 491, 500-502; D12/128,  
129; 297/153, 467, 148, 149, 174, 250.1

FIG. 1 is a perspective view of a baby chair and tray showing  
my design;

FIG. 2 is a front elevational view thereof;

FIG. 3 is a rear elevational view thereof;

FIG. 4 is a left side elevational view thereof;

FIG. 5 is a right side elevational view thereof;

FIG. 6 is a top plan view thereof;

FIG. 7 is a bottom plan view thereof; and,

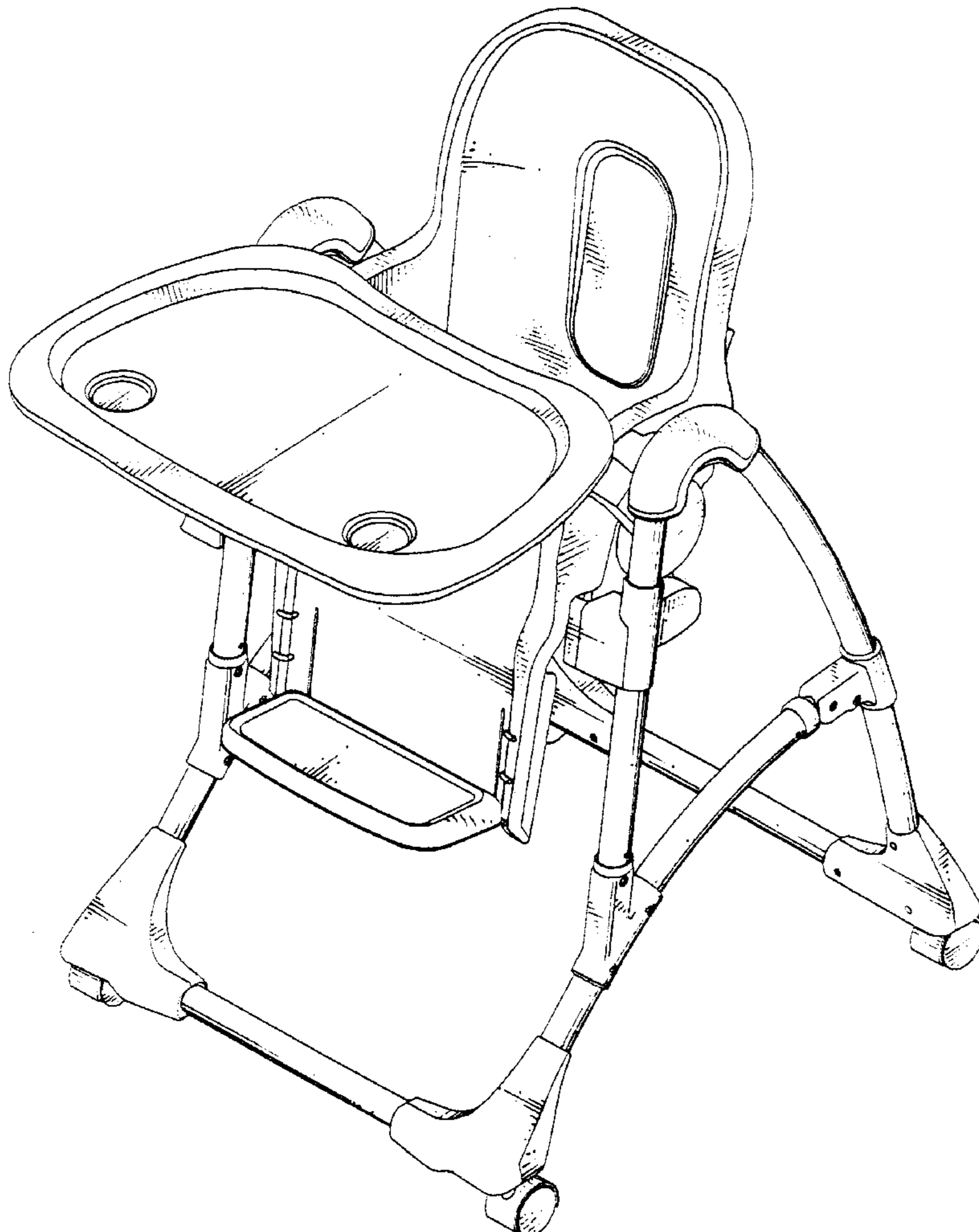
FIG. 8 is another perspective view of a baby chair and tray  
with the tray removed.

### [56] References Cited

#### U.S. PATENT DOCUMENTS

D. 350,506	9/1994	Kaneko et al.	.....	D12/129
D. 361,213	8/1995	Tokutake et al.	.....	D6/339
D. 368,593	4/1996	Cone, II	.....	D6/339
D. 373,029	8/1996	Mariol et al.	.....	D6/339
D. 386,911	12/1997	Perego	.....	D6/339

**1 Claim, 8 Drawing Sheets**



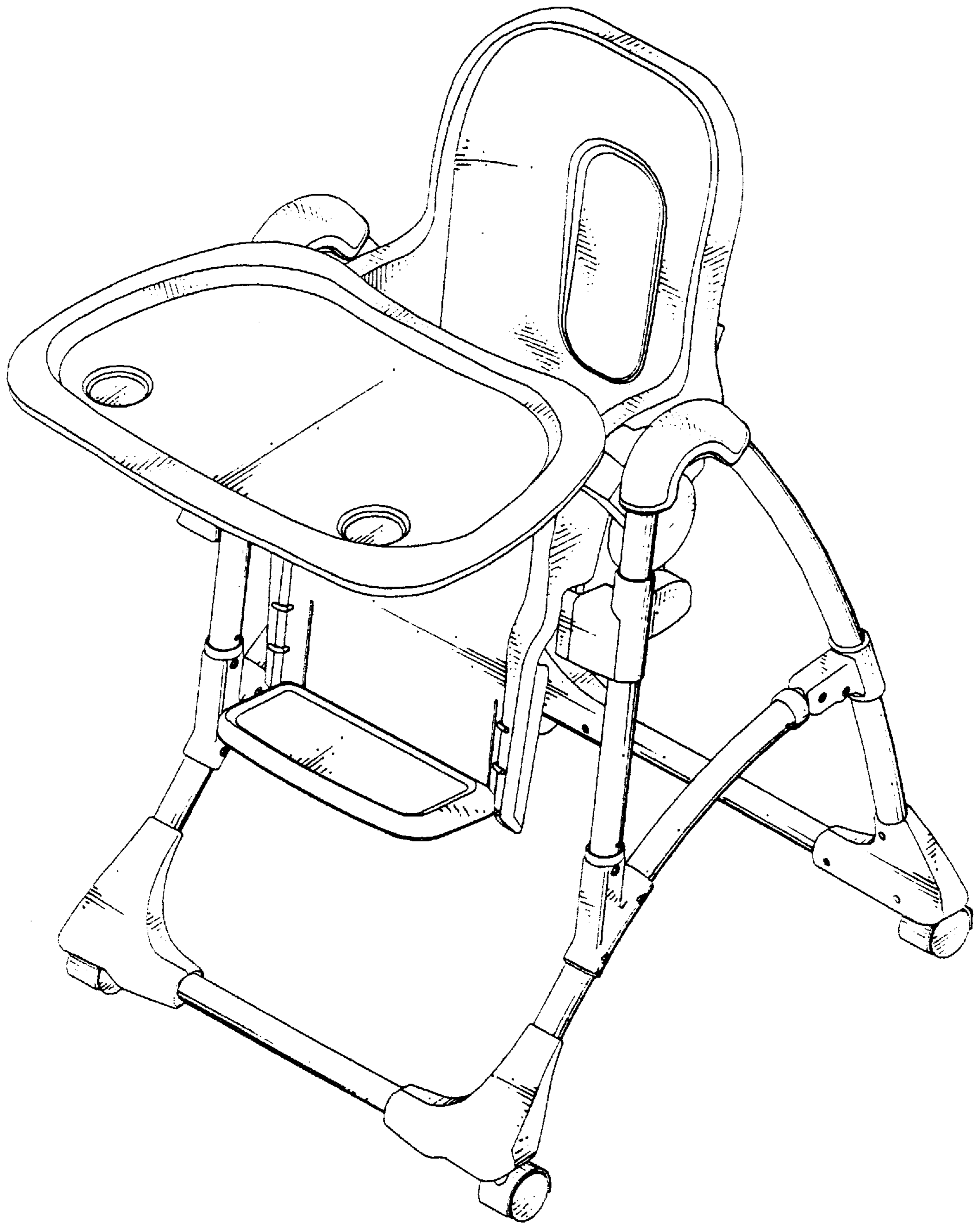


FIG. 1

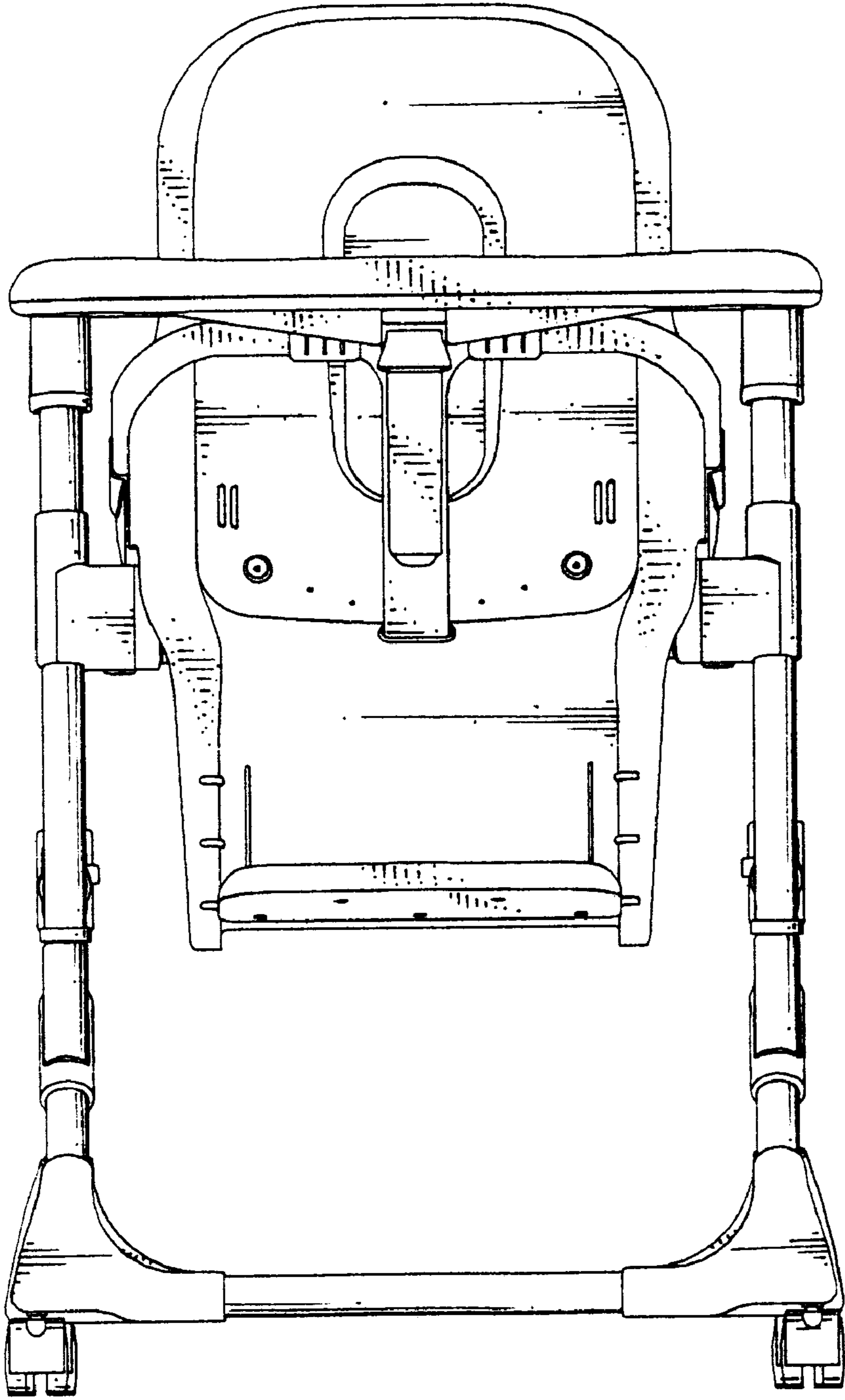


FIG. 2

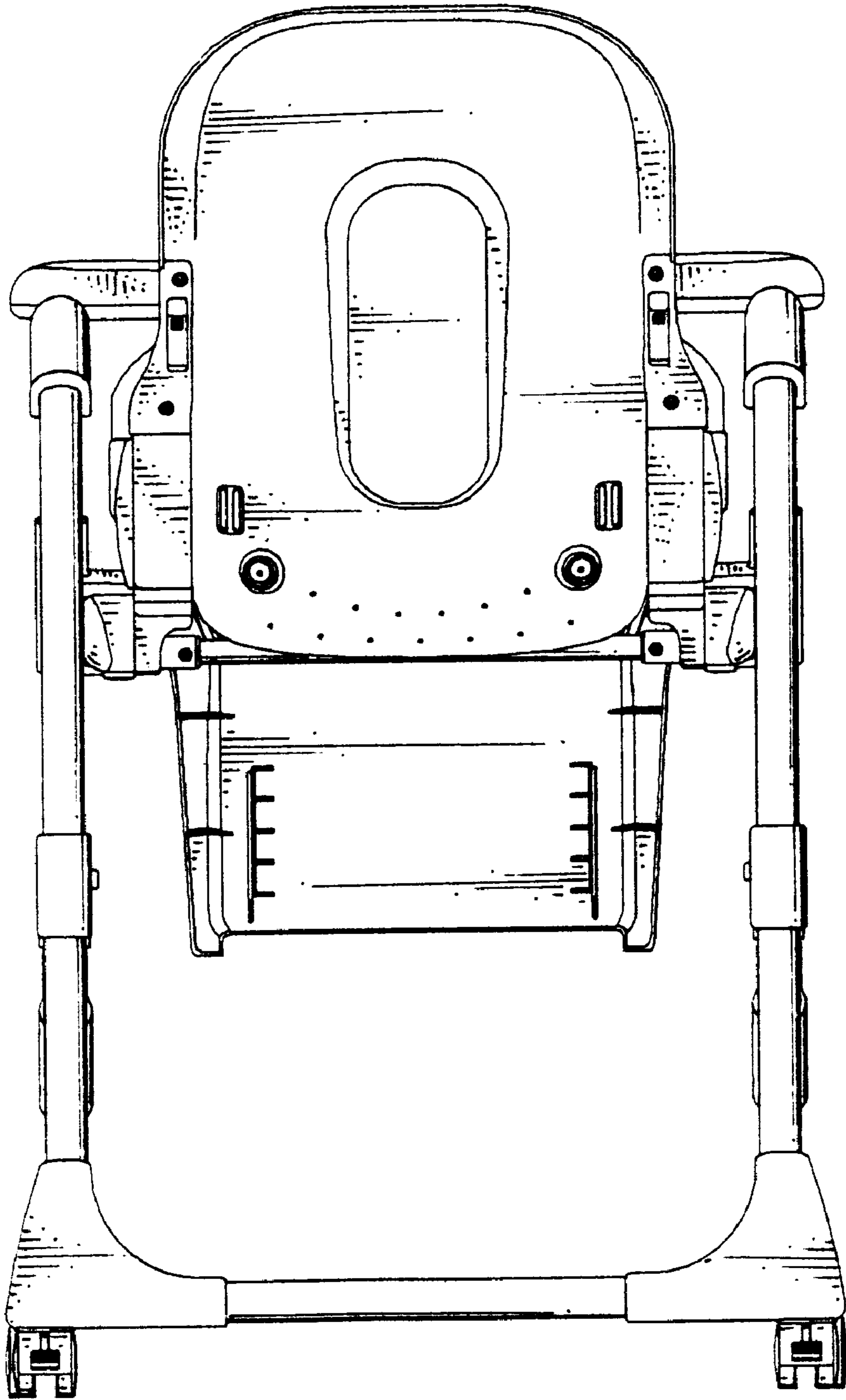


FIG. 3



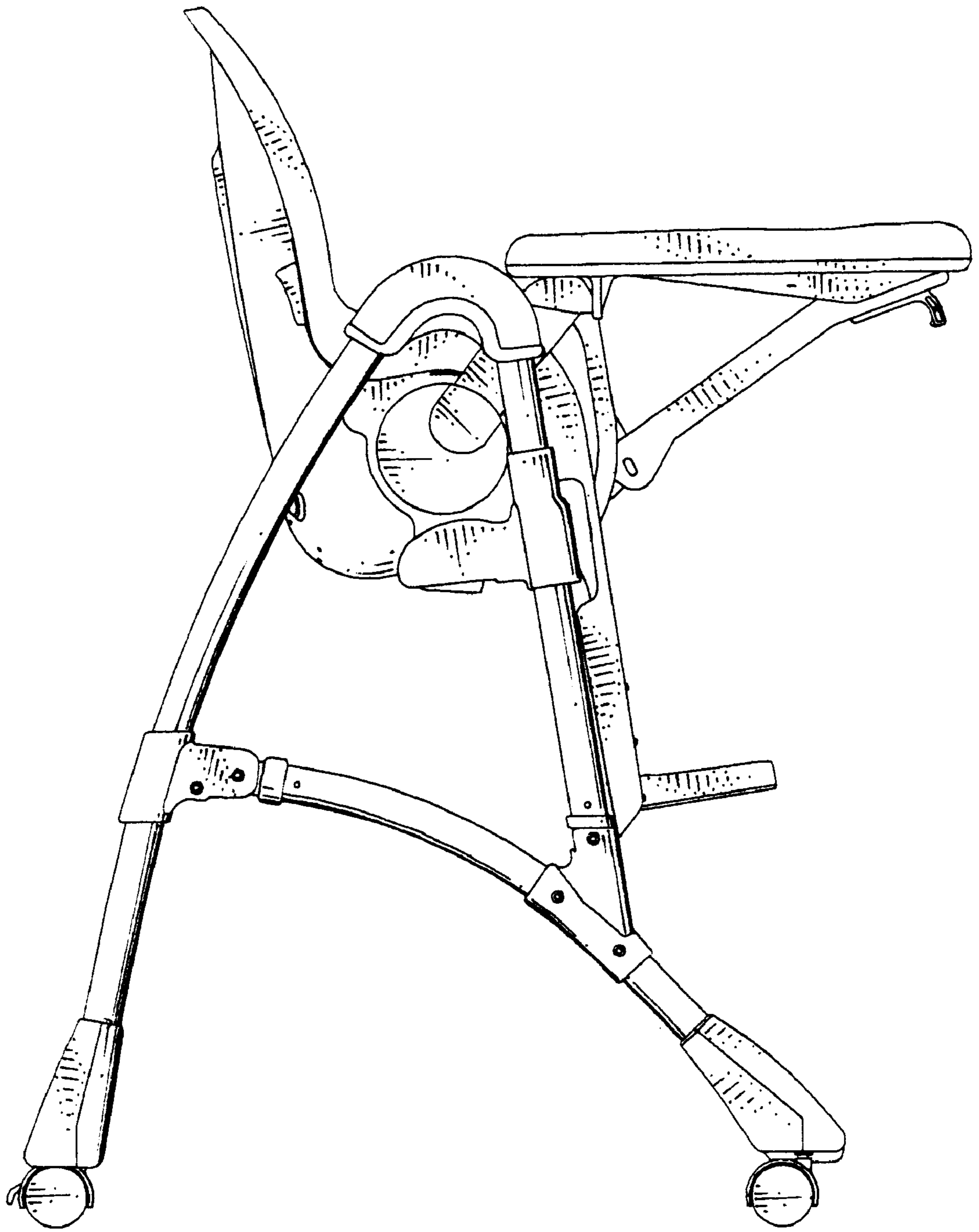


FIG. 4

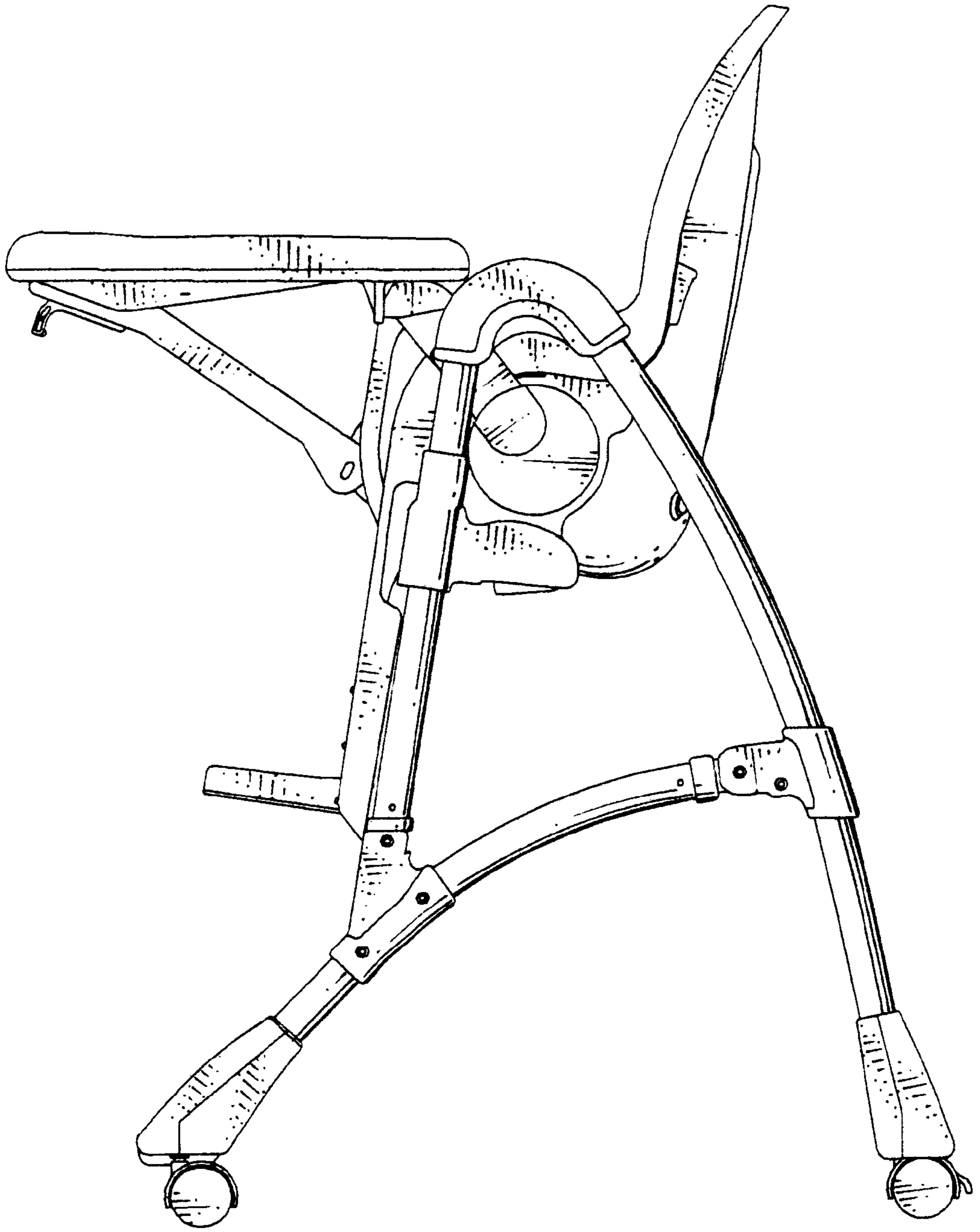


FIG. 5

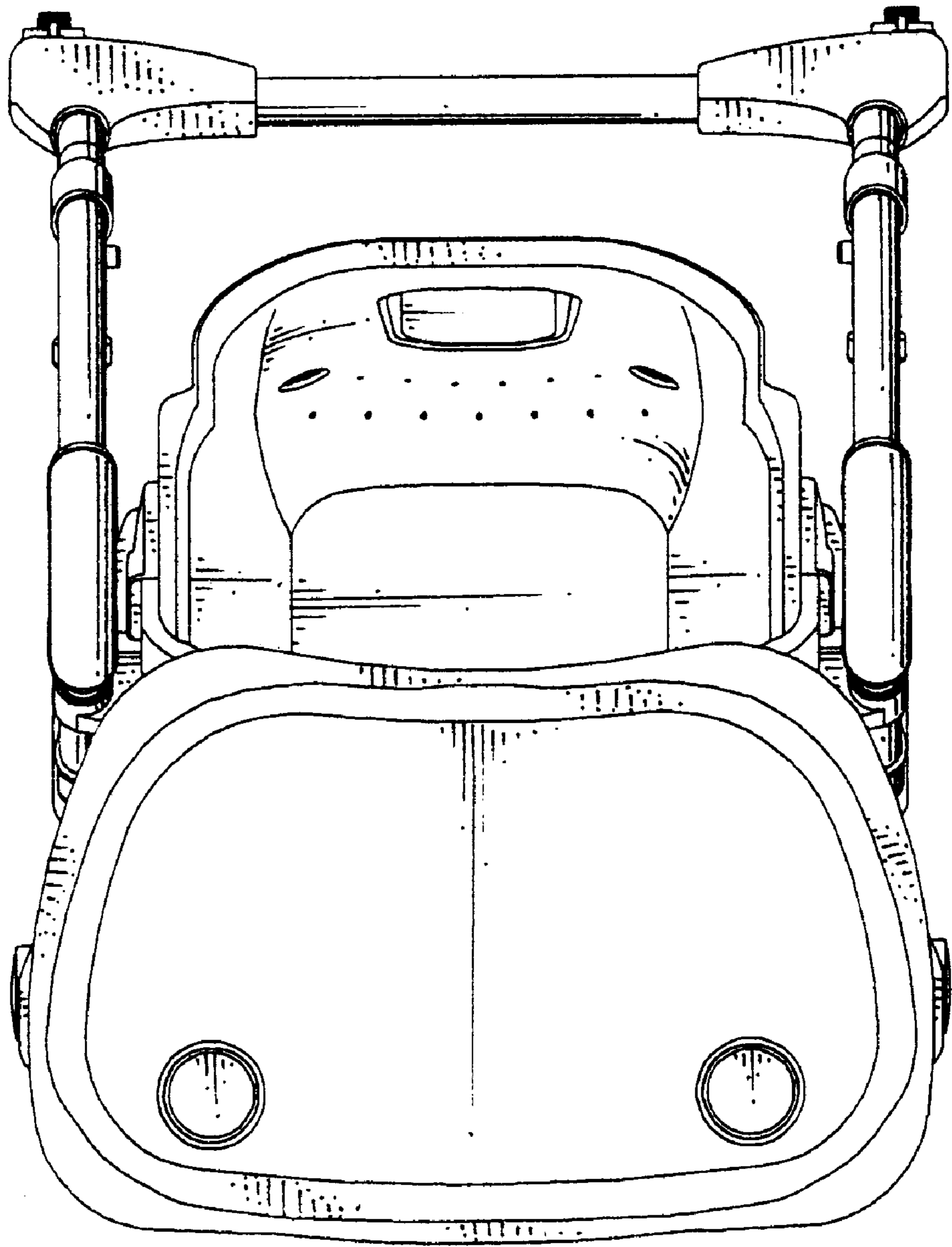


FIG. 6

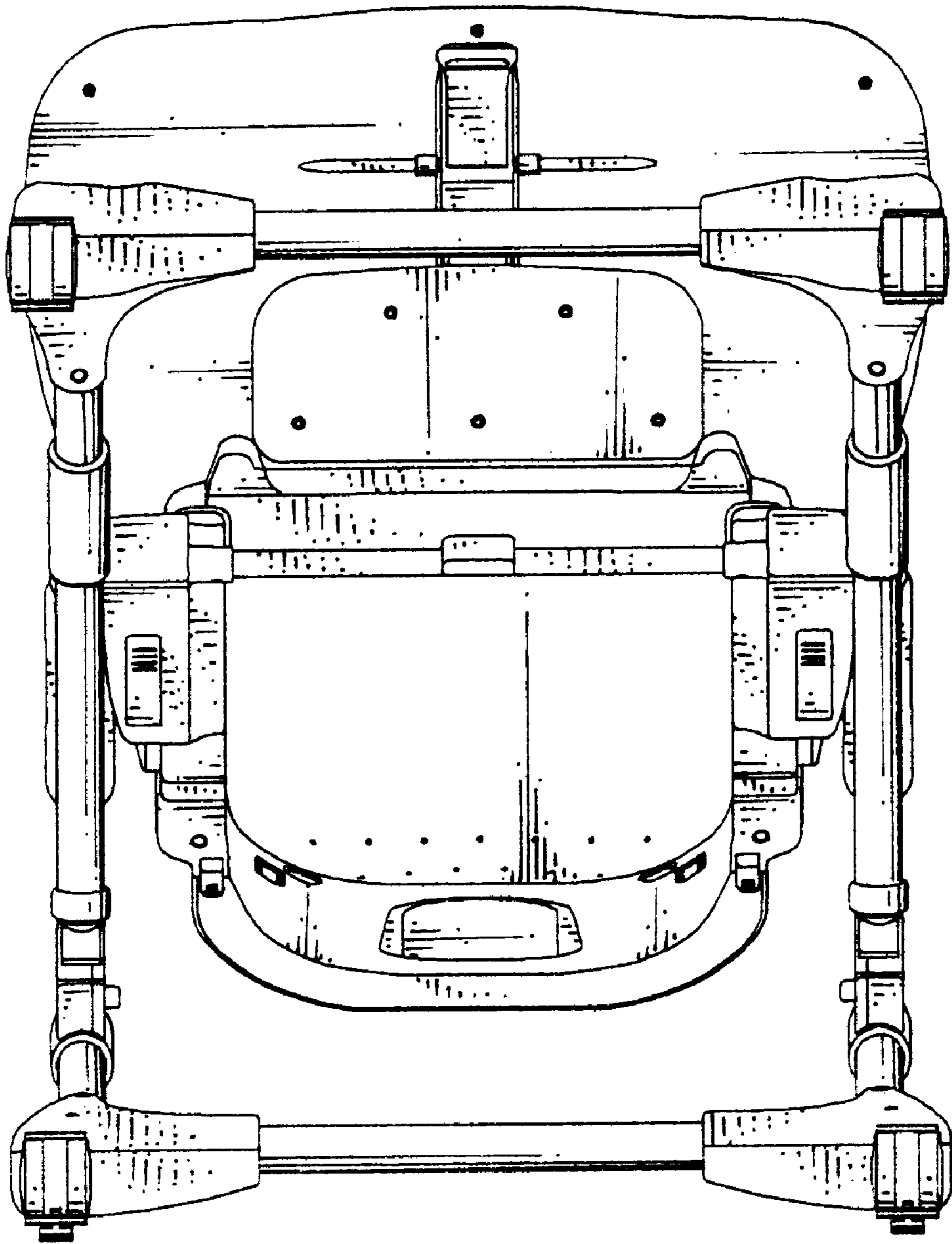


FIG. 7



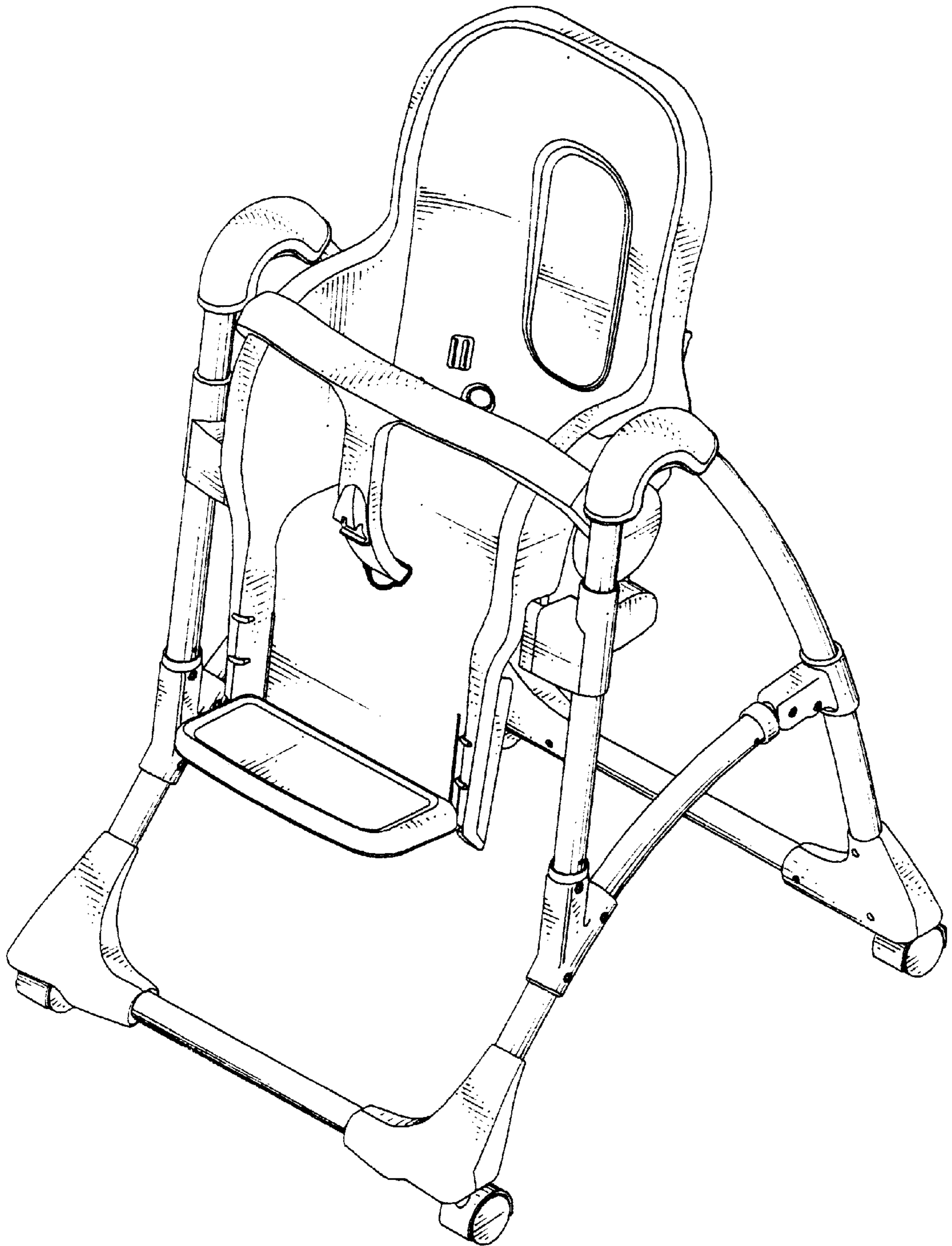


FIG. 8