



US00D426964S

**United States Patent** [19]  
**Burkamp**

[11] **Patent Number: Des. 426,964**

[45] **Date of Patent: \*\* Jun. 27, 2000**

[54] **PORTABLE, CHILDREN'S ALL-PURPOSE  
DESK**

D. 225,796 1/1973 Helverson ..... D6/338  
D. 251,640 4/1979 Hindman ..... D6/338  
D. 346,287 4/1994 Rosen ..... D6/429

[76] Inventor: **Johann Burkamp**, 603 Lee Rd.,  
Havelock, N.C. 28532

*Primary Examiner*—Janice E. Seeger  
*Attorney, Agent, or Firm*—Susan E. Nagel

[\*\*] Term: **14 Years**

[57] **CLAIM**

[21] Appl. No.: **29/111,891**

The ornamental design for a portable, children's all-purpose desk, as shown.

[22] Filed: **Oct. 5, 1999**

**DESCRIPTION**

[51] **LOC (7) Cl.** ..... **06-05**

[52] **U.S. Cl.** ..... **D6/338**

[58] **Field of Search** ..... D6/338, 339, 397,  
D6/420; 297/157.1, 163, 174, 170

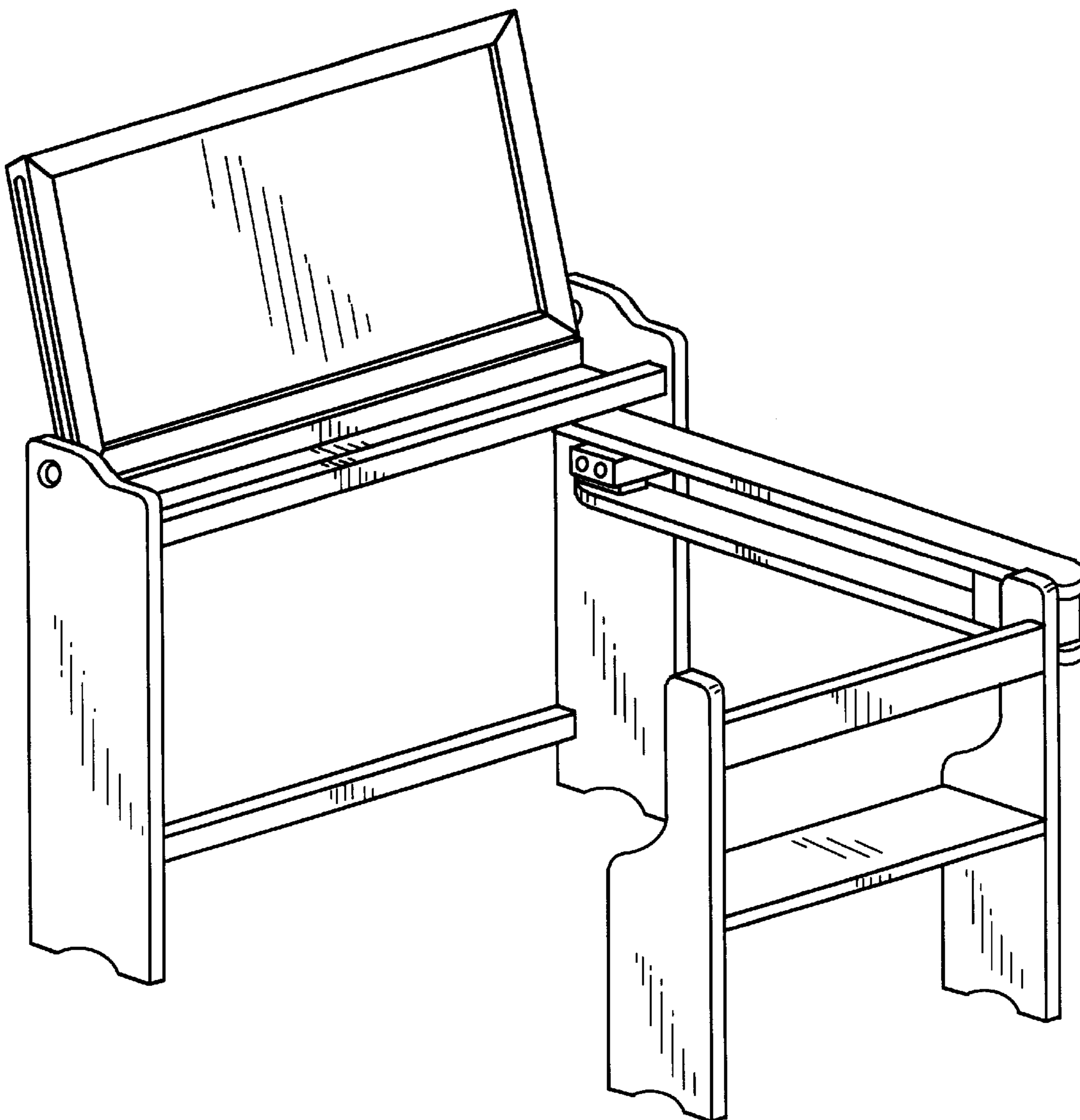
FIG. 1 is a perspective view of the invention.  
FIG. 2 is the front view of the invention.  
FIG. 3 is the back view of the invention.  
FIG. 4 is the top view of the invention.  
FIG. 5 is the bottom view of the invention.  
FIG. 6 is the left view of the invention; and,  
FIG. 7 is the right view of the invention.

[56] **References Cited**

**U.S. PATENT DOCUMENTS**

D. 119,253 3/1940 Balleydyer ..... D6/338  
D. 179,454 12/1956 Knobloch ..... 297/174

**1 Claim, 6 Drawing Sheets**



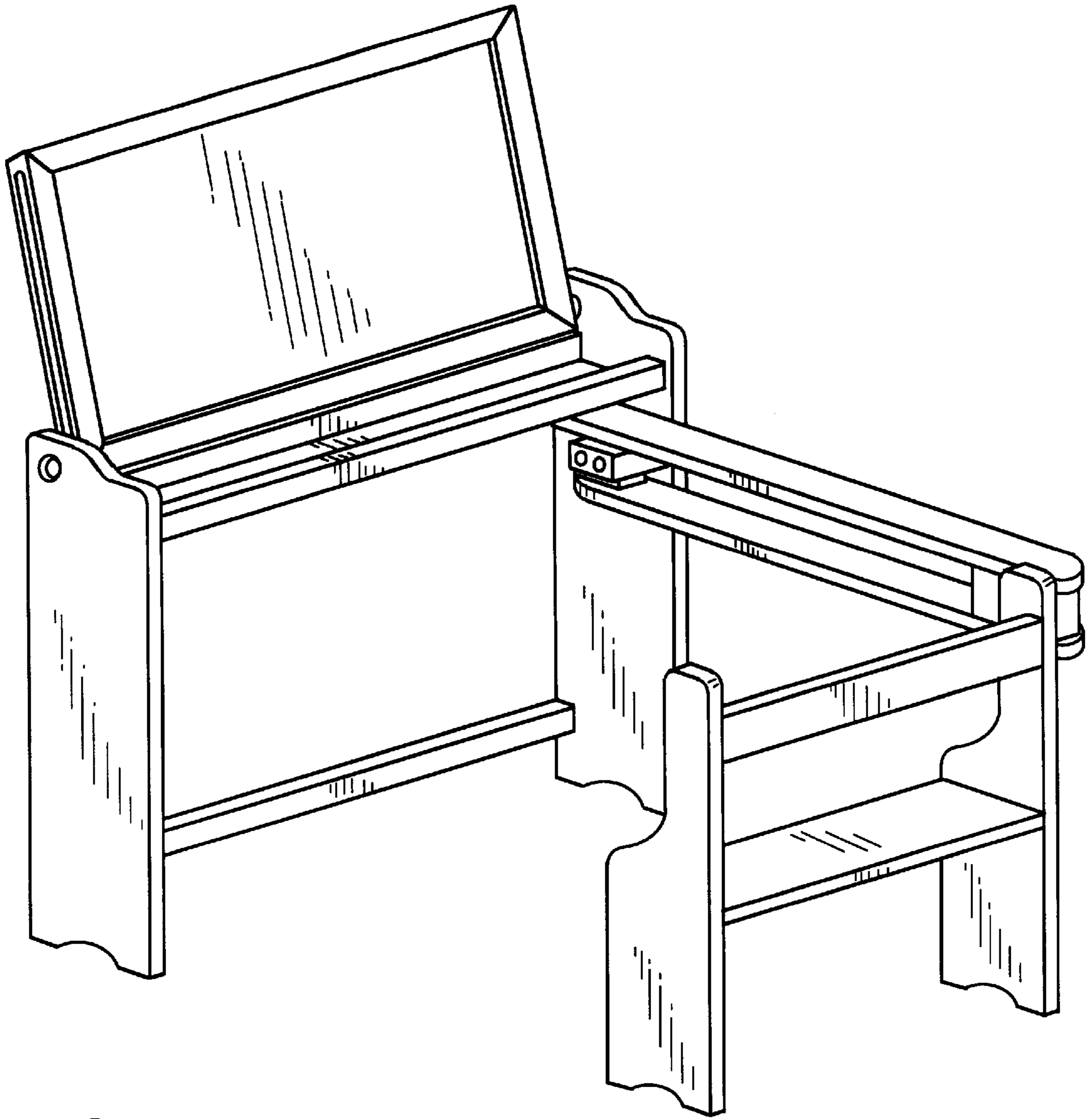


FIG. 1

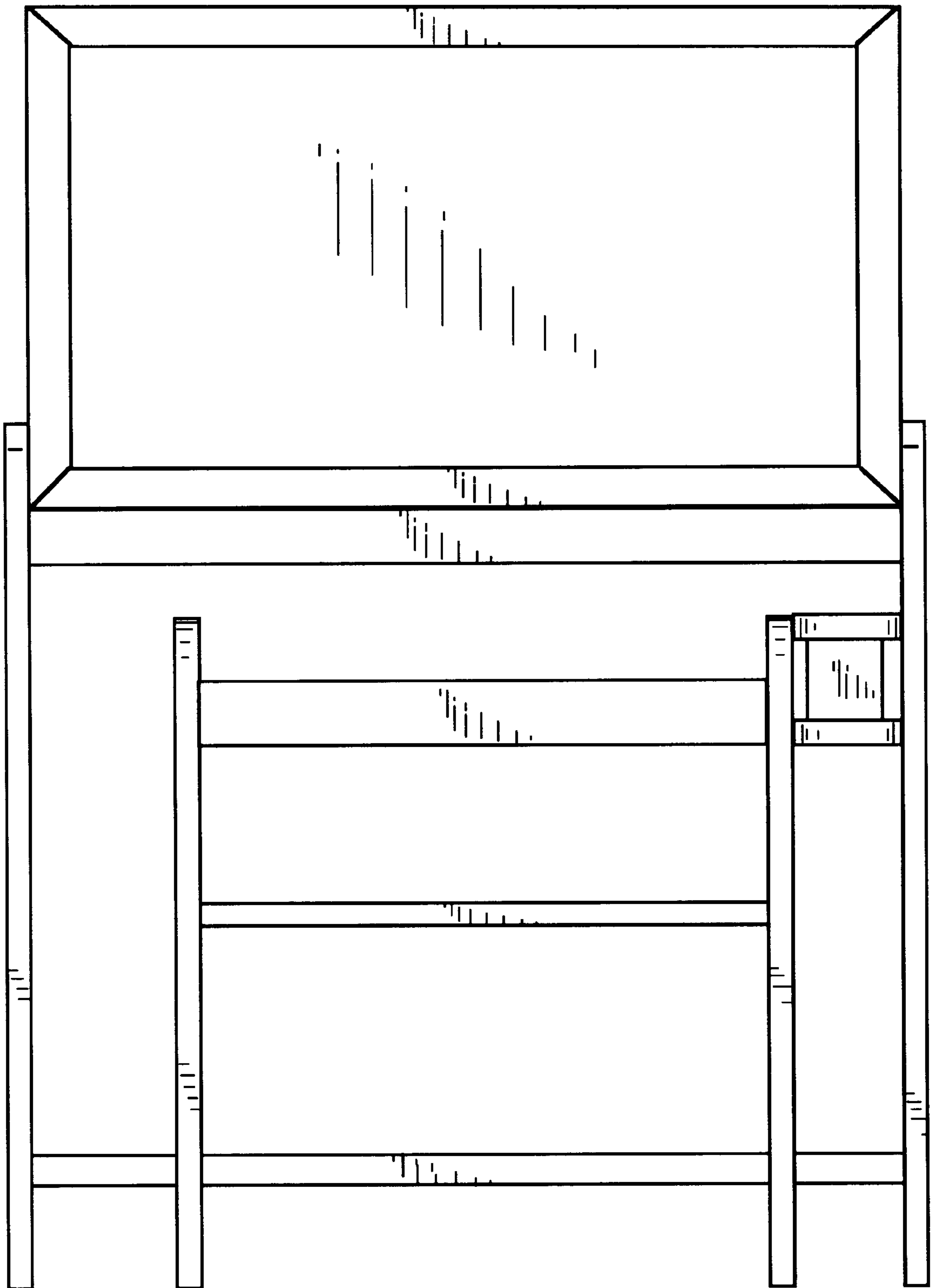


FIG. 2

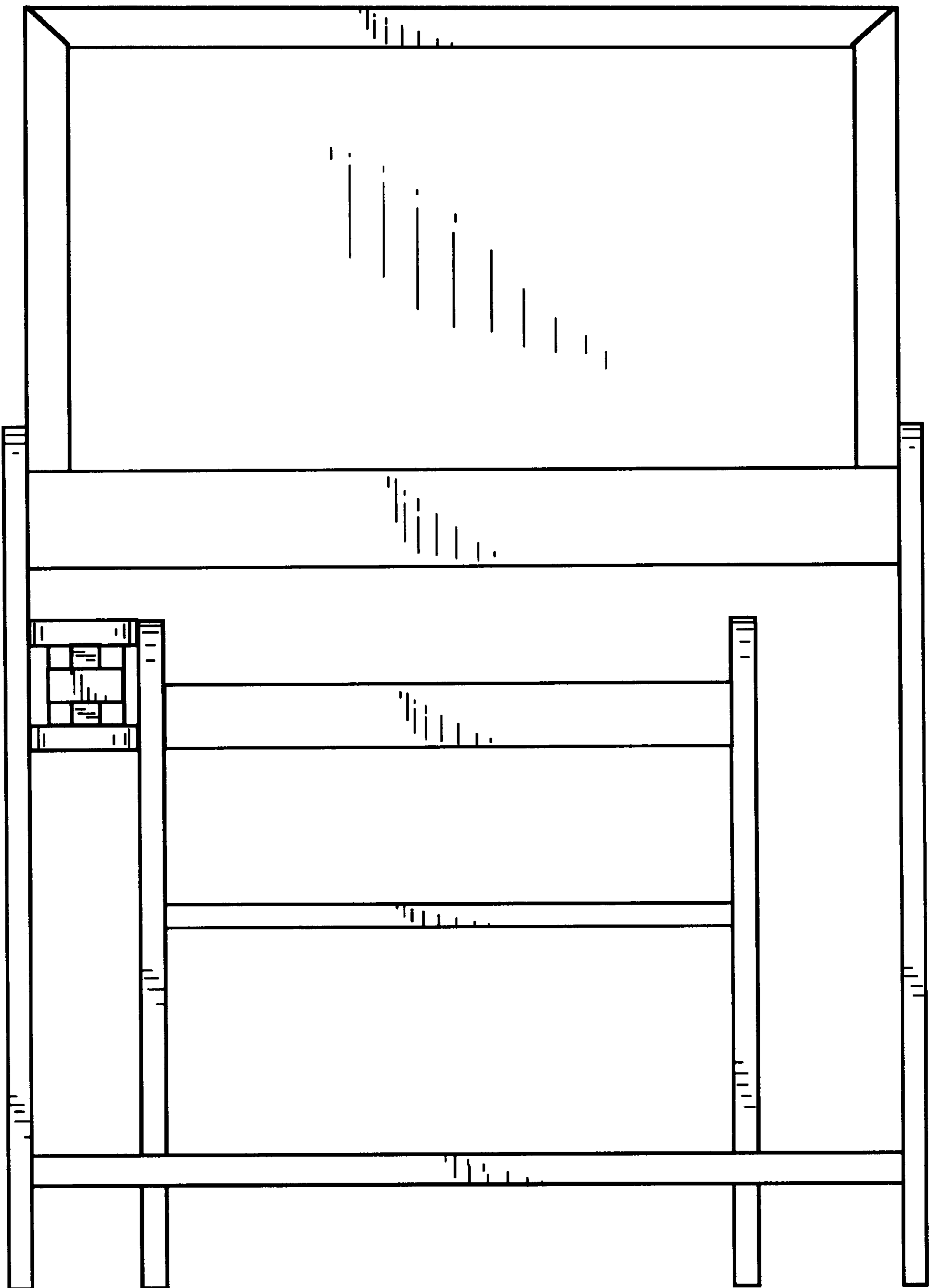


FIG. 3

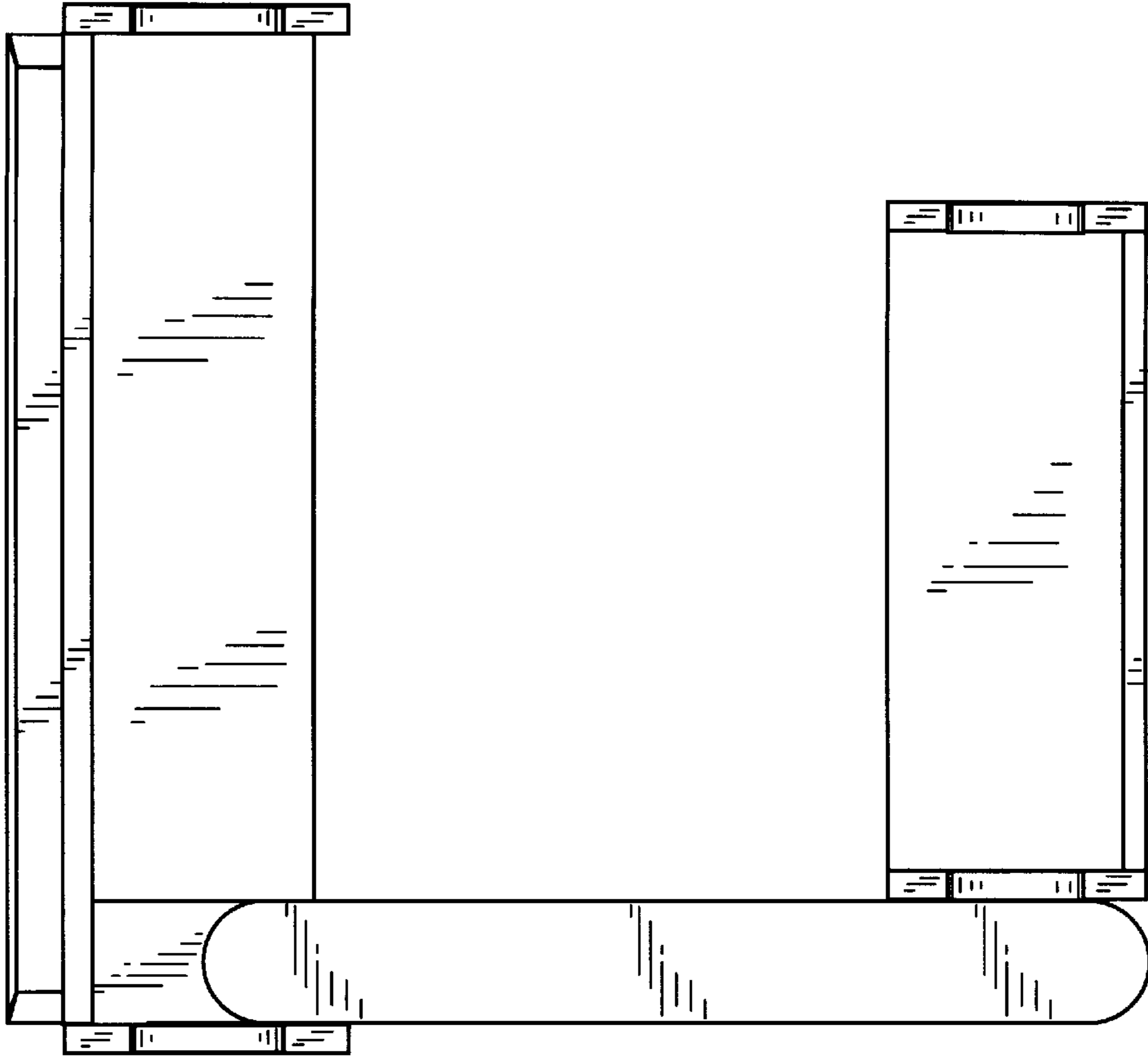


FIG. 5

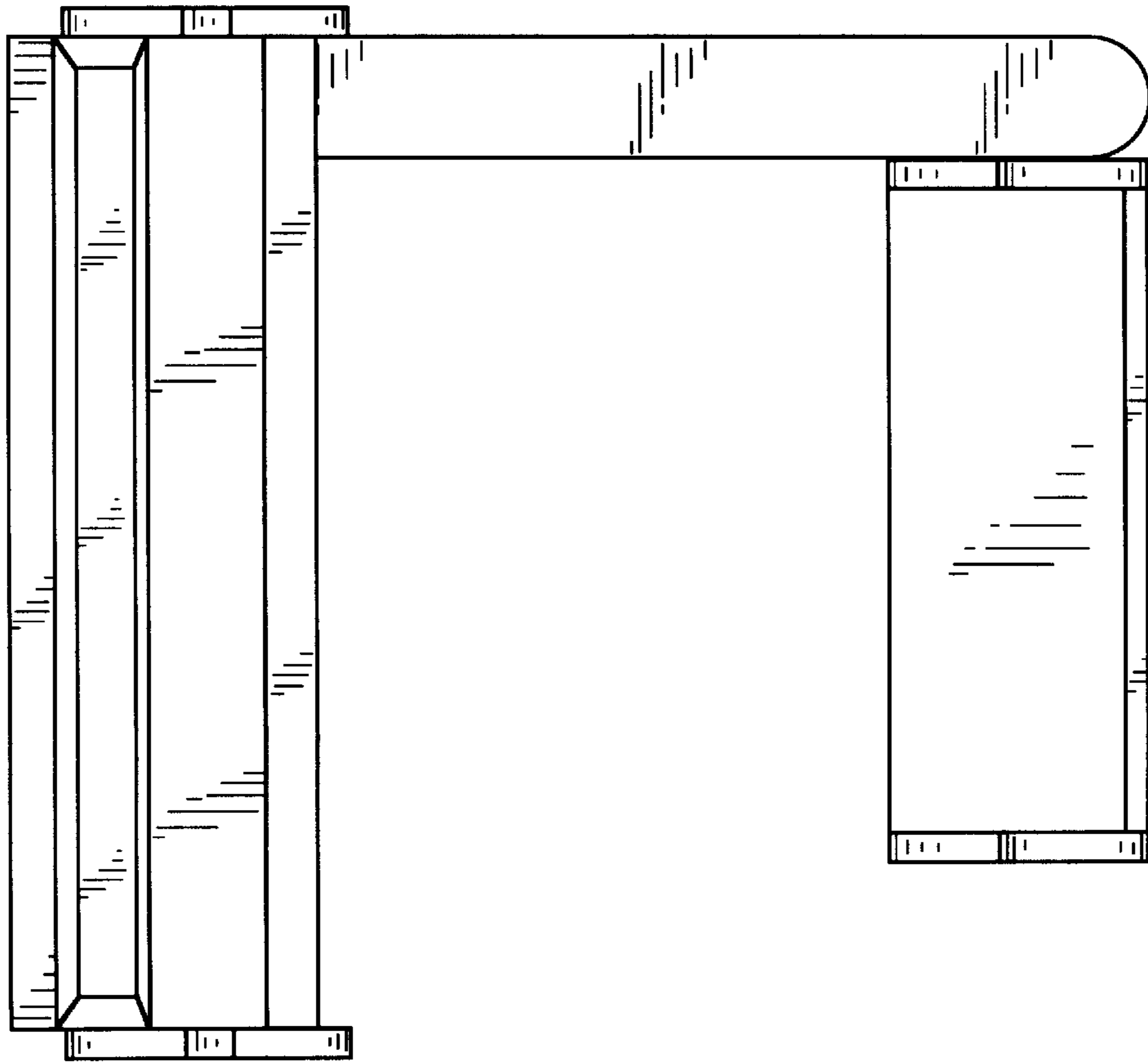


FIG. 4

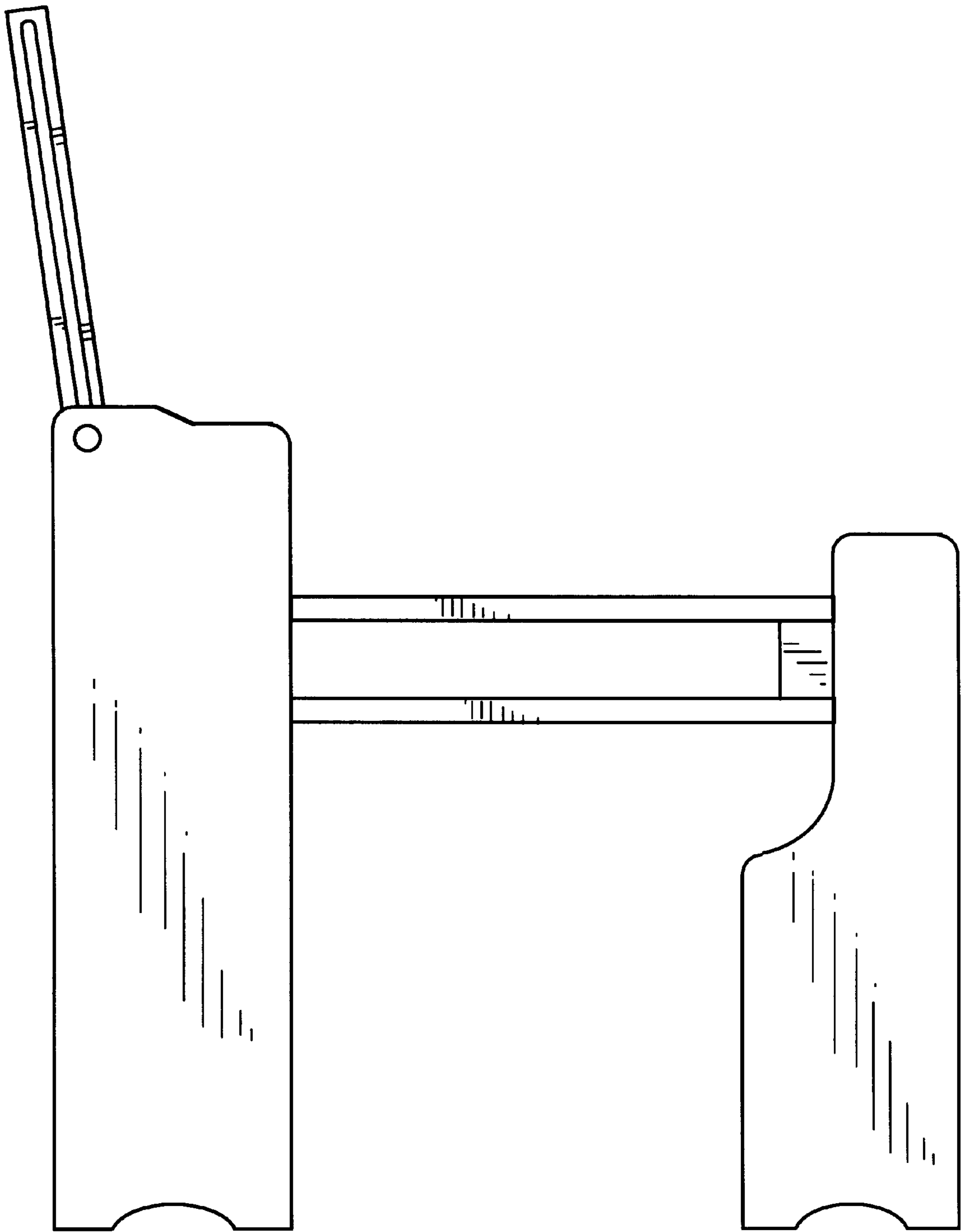


FIG. 6

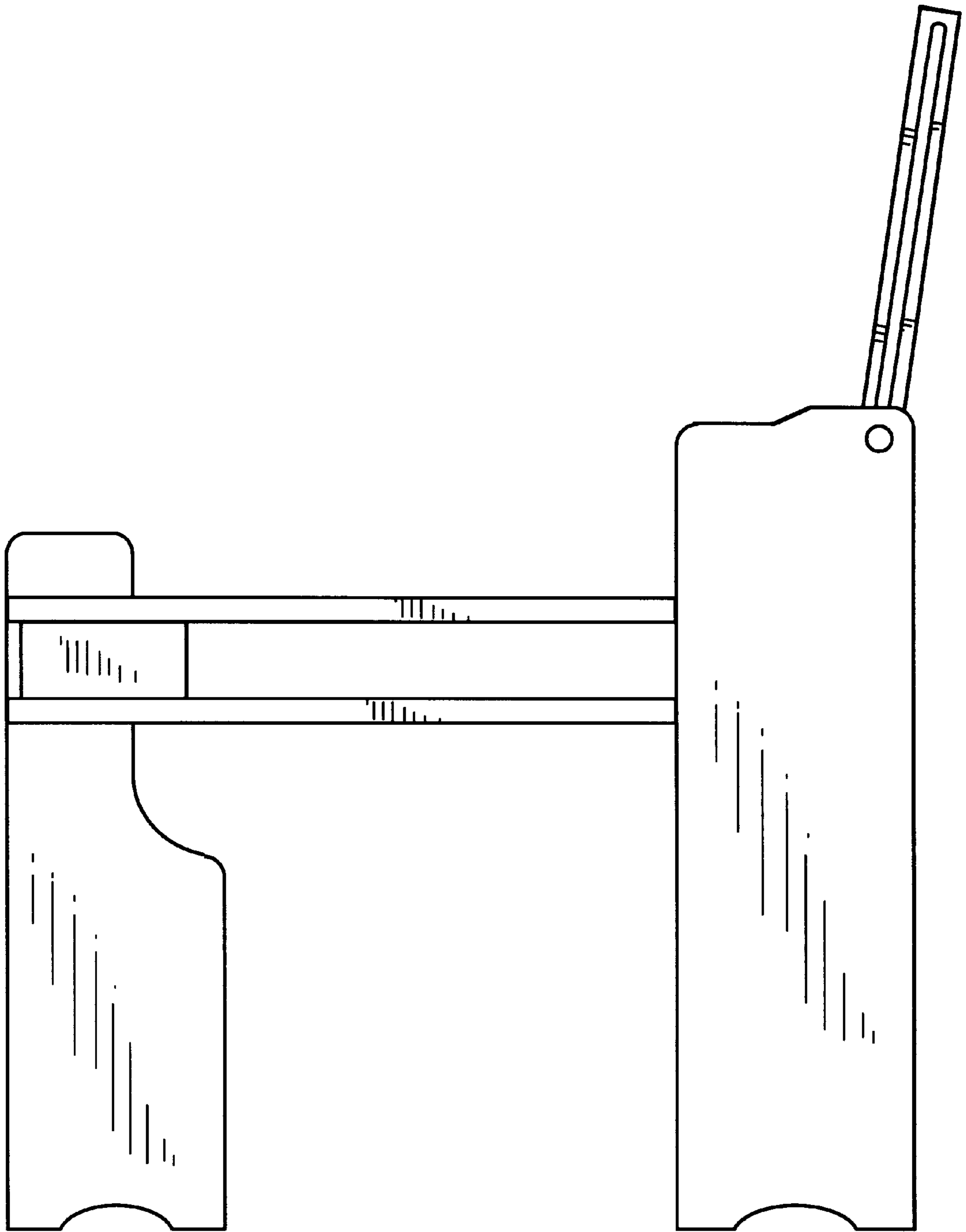


FIG. 7