



US00D426962S

United States Patent [19]

Au-Yeung

[11] Patent Number: Des. 426,962

[45] Date of Patent: ** Jun. 27, 2000

[54] **SOFT-GLARE MIRROR**

[75] Inventor: **Victor Au-Yeung**, Hong Kong, The Hong Kong Special Administrative Region of the People's Republic of China

[73] Assignee: **Lomak Industrial Co. Ltd.**, The Hong Kong Special Administrative Region of the People's Republic of China

[**] Term: **14 Years**

[21] Appl. No.: **29/105,152**

[22] Filed: **May 19, 1999**

[30] **Foreign Application Priority Data**

Nov. 20, 1998 [CA] Canada 1998-2850

[51] **LOC (7) Cl.** **06-07**

[52] **U.S. Cl.** **D6/310; D6/300**

[58] **Field of Search** D6/300-314; 40/700, 40/711, 714, 716, 723, 732, 735, 745, 747, 765, 771, 780, 790, 798; 359/838, 850, 854, 872, 876

[56] **References Cited**

U.S. PATENT DOCUMENTS

D. 261,817	11/1981	Kretschmer	D6/308
D. 278,865	5/1985	McCaffrey	D6/311
D. 303,179	9/1989	Evenson	D6/301
5,617,662	4/1997	Hwang	40/736

Primary Examiner—Janice E. Seeger
Attorney, Agent, or Firm—Webb Ziesenheim Logsdon Orkin & Hanson, P.C.

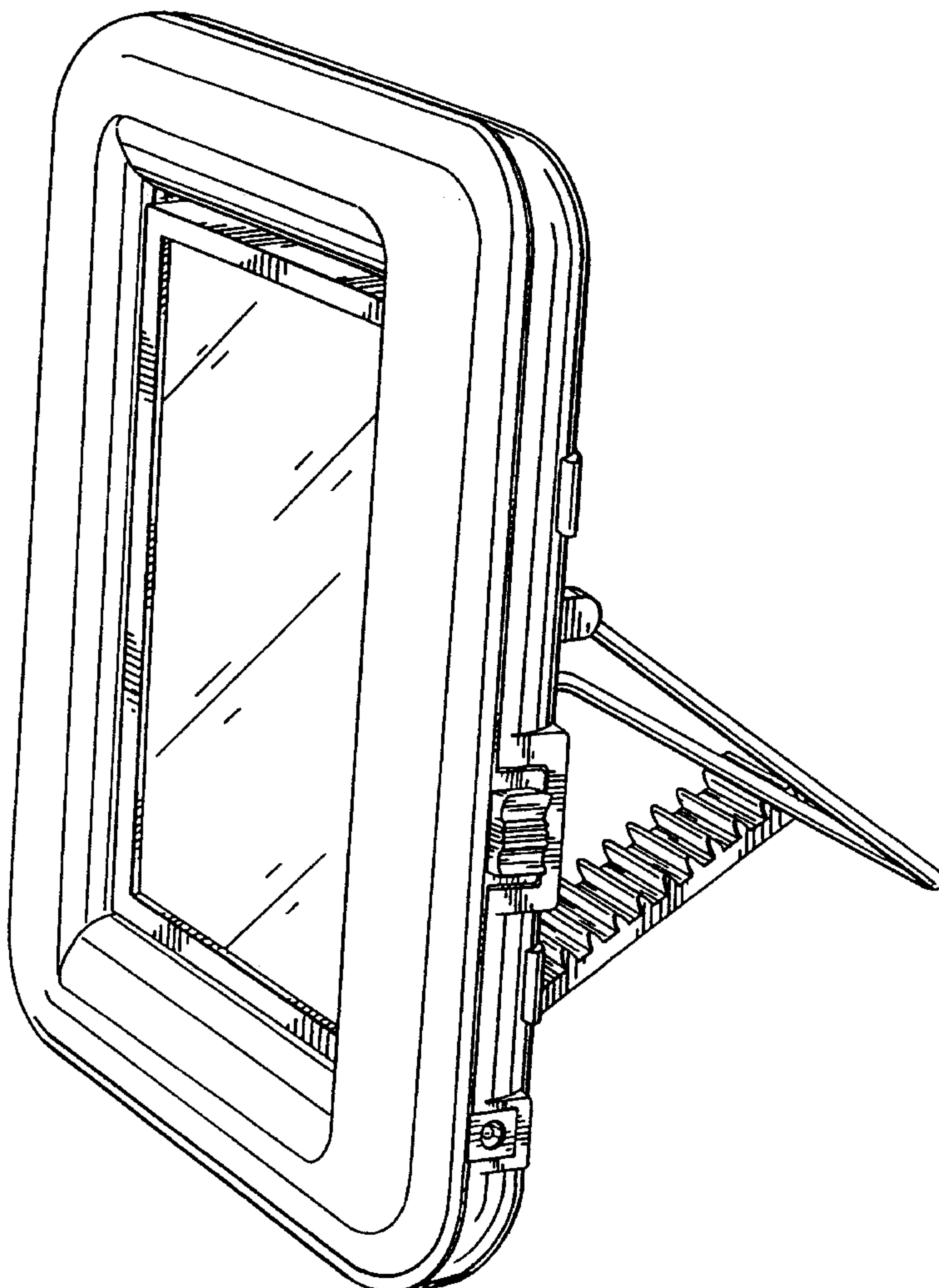
[57] **CLAIM**

The ornamental design of a soft-glare mirror, as shown and described.

DESCRIPTION

FIG. 1 is a perspective view of the soft-glare mirror; FIG. 2 is a plan view of the front of the mirror; FIG. 3 is a plan view of the back of the mirror; FIG. 4 is a first side view of the mirror; FIG. 5 is a second side view of the mirror; FIG. 6 is a top view of the mirror; and, FIG. 7 is a bottom view of the mirror.

1 Claim, 7 Drawing Sheets



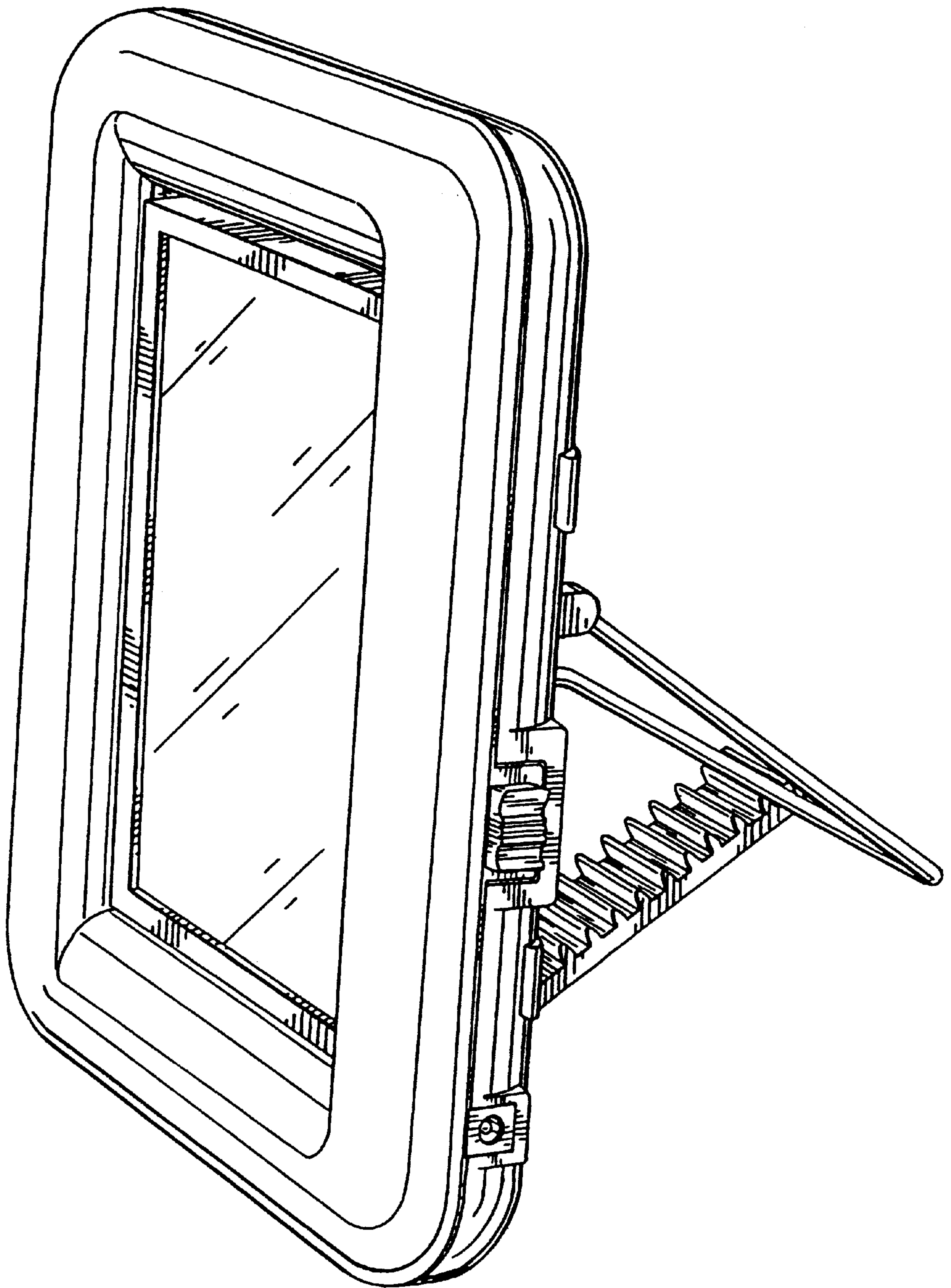


FIG. 1

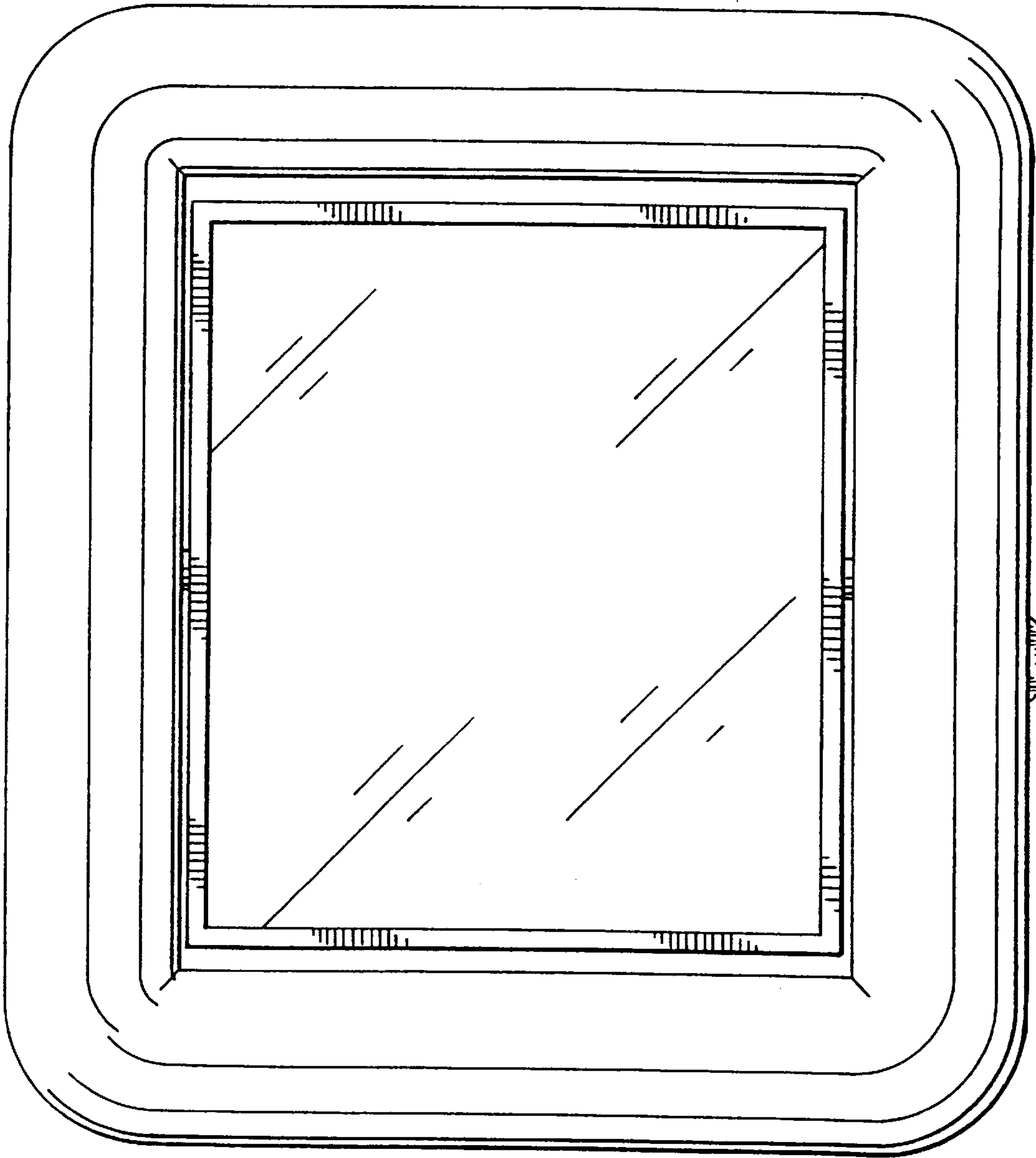


FIG. 2

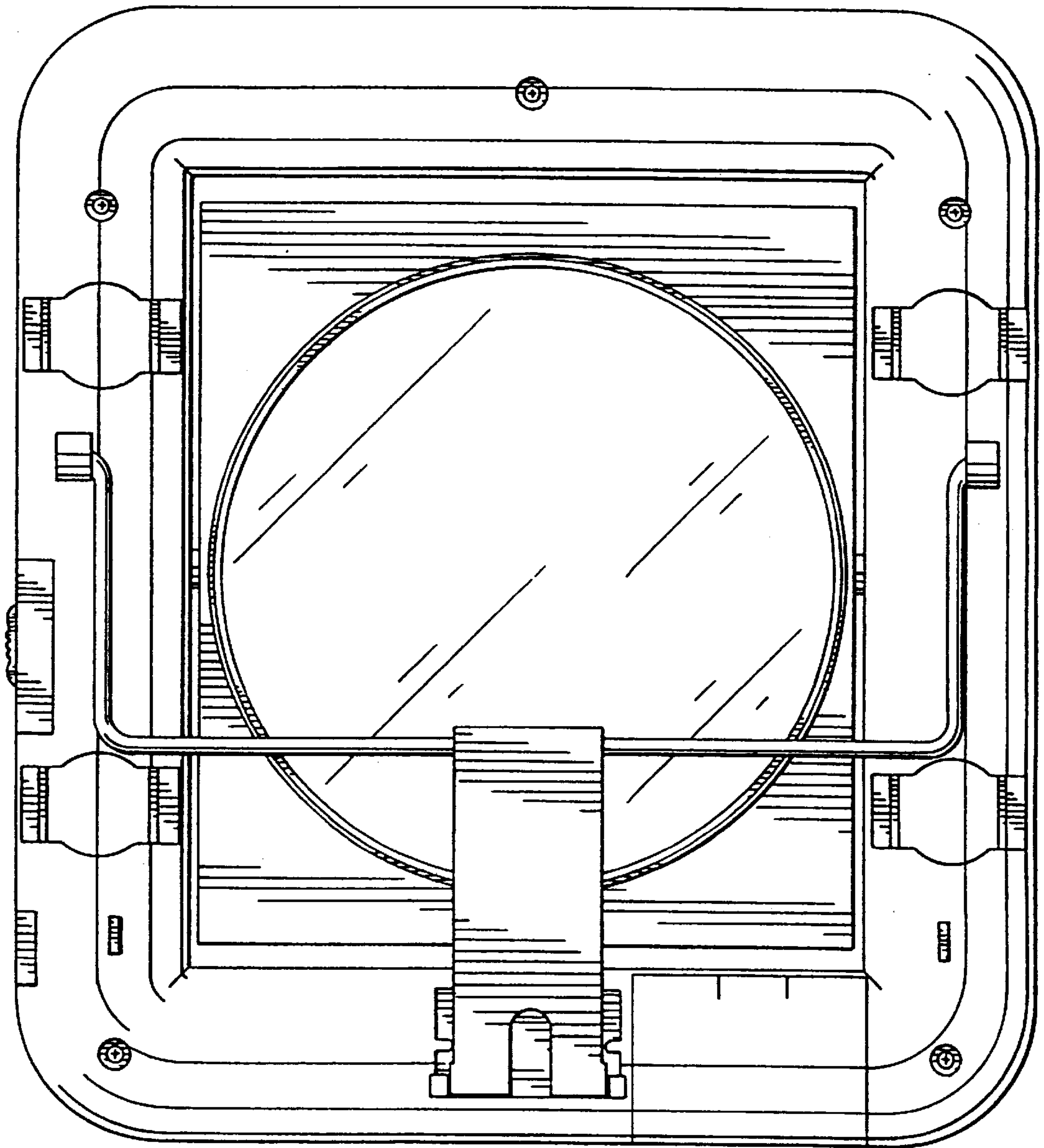


FIG. 3

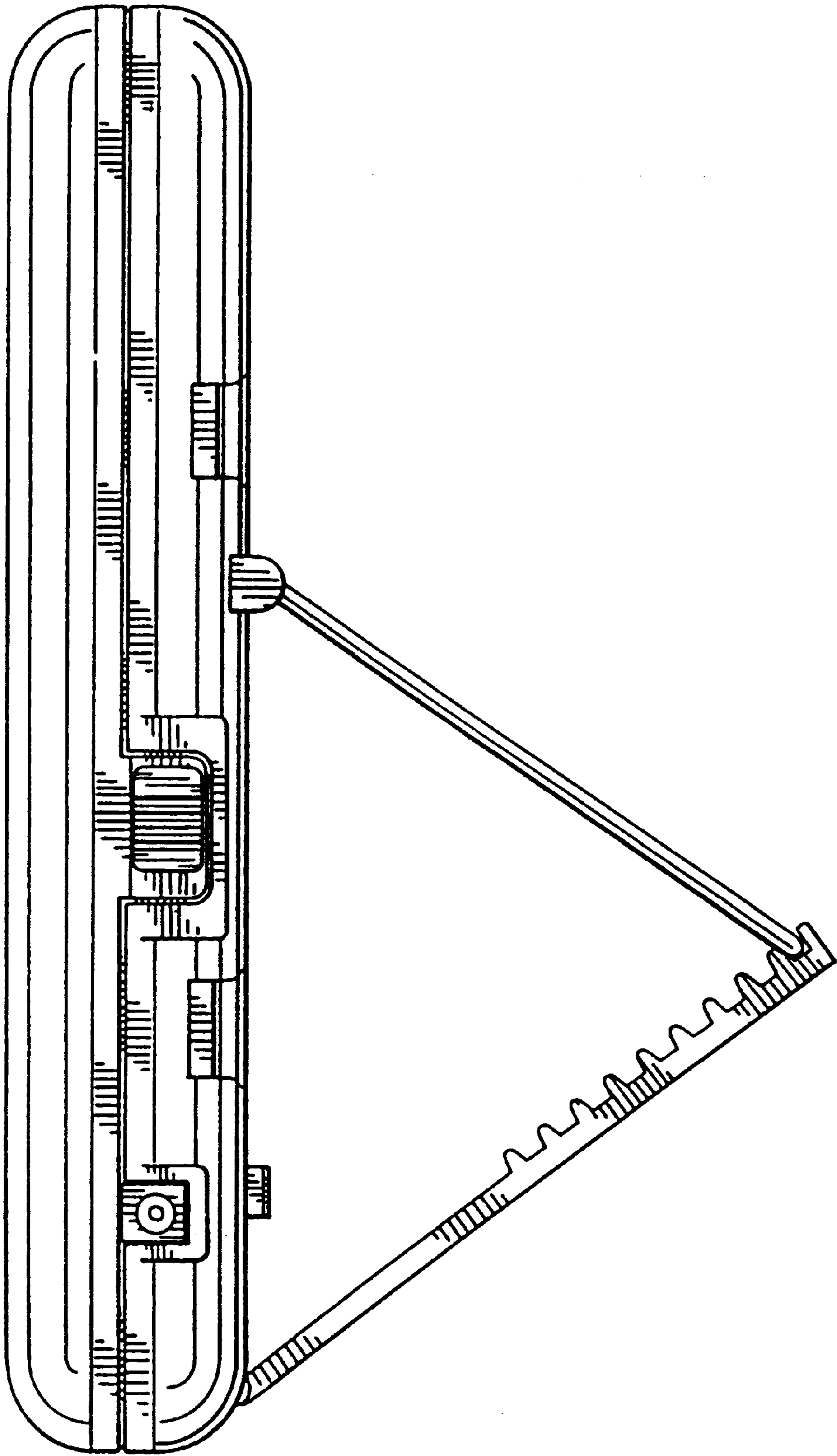


FIG. 4

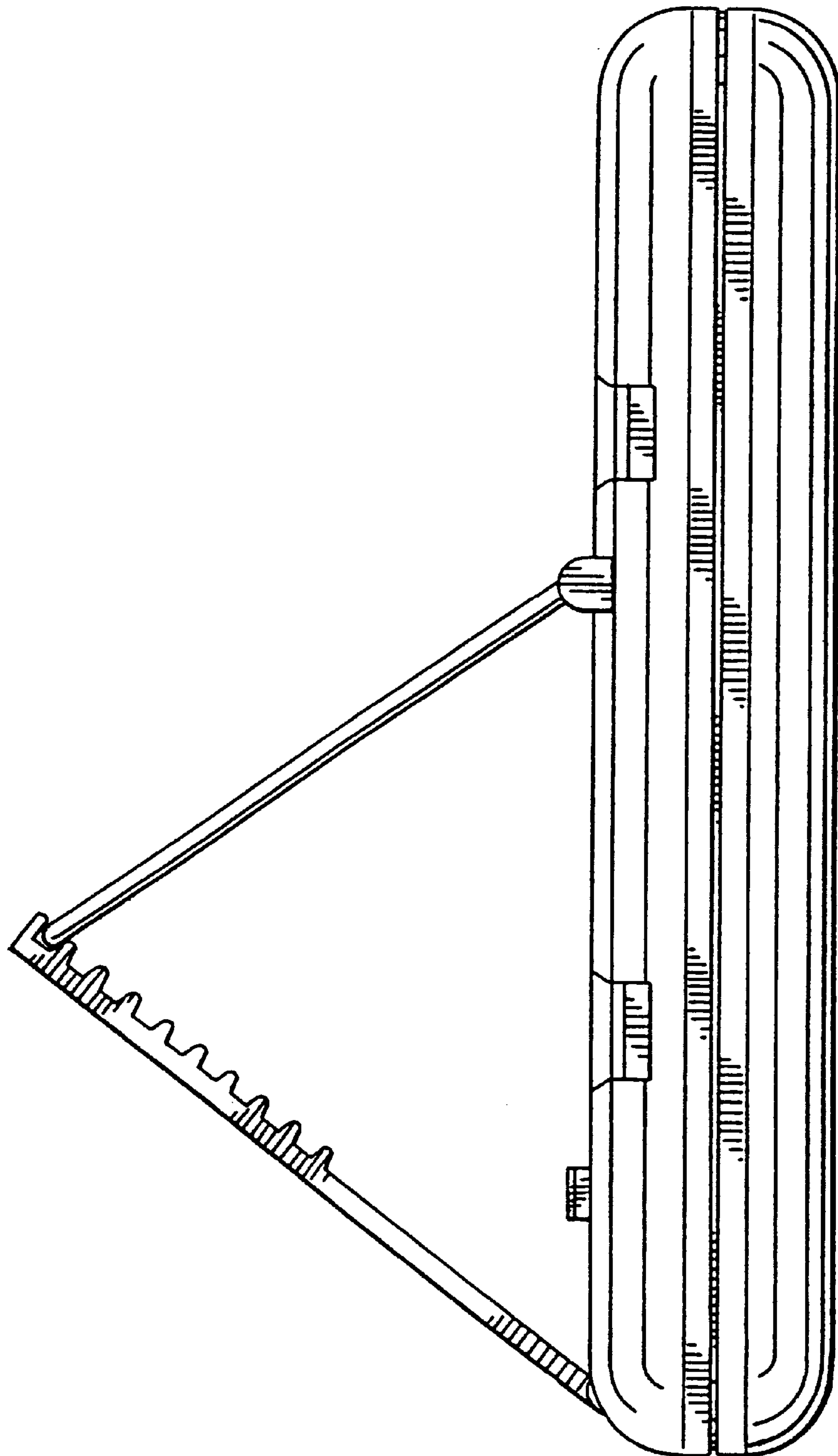


FIG. 5

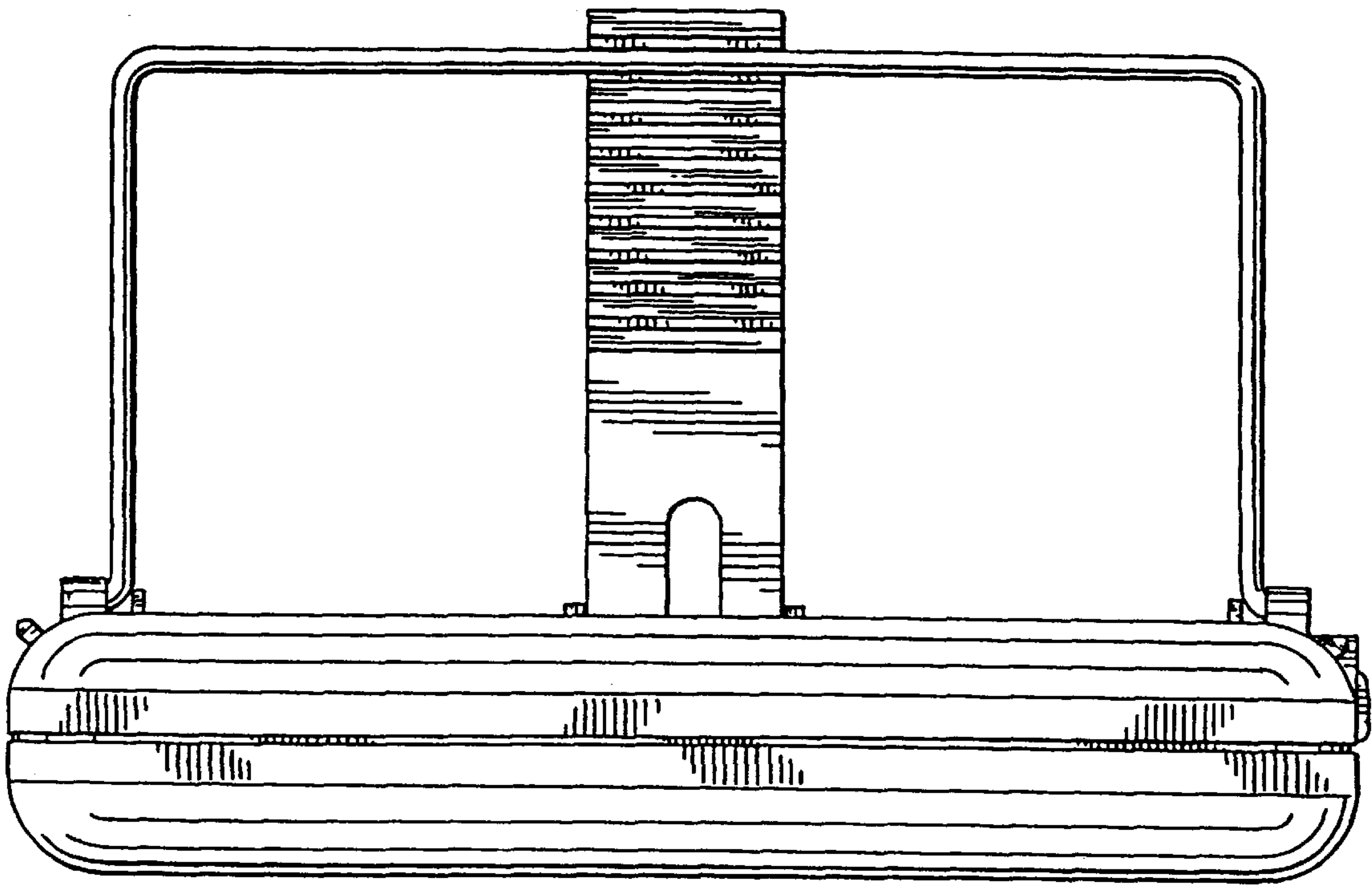


FIG. 6

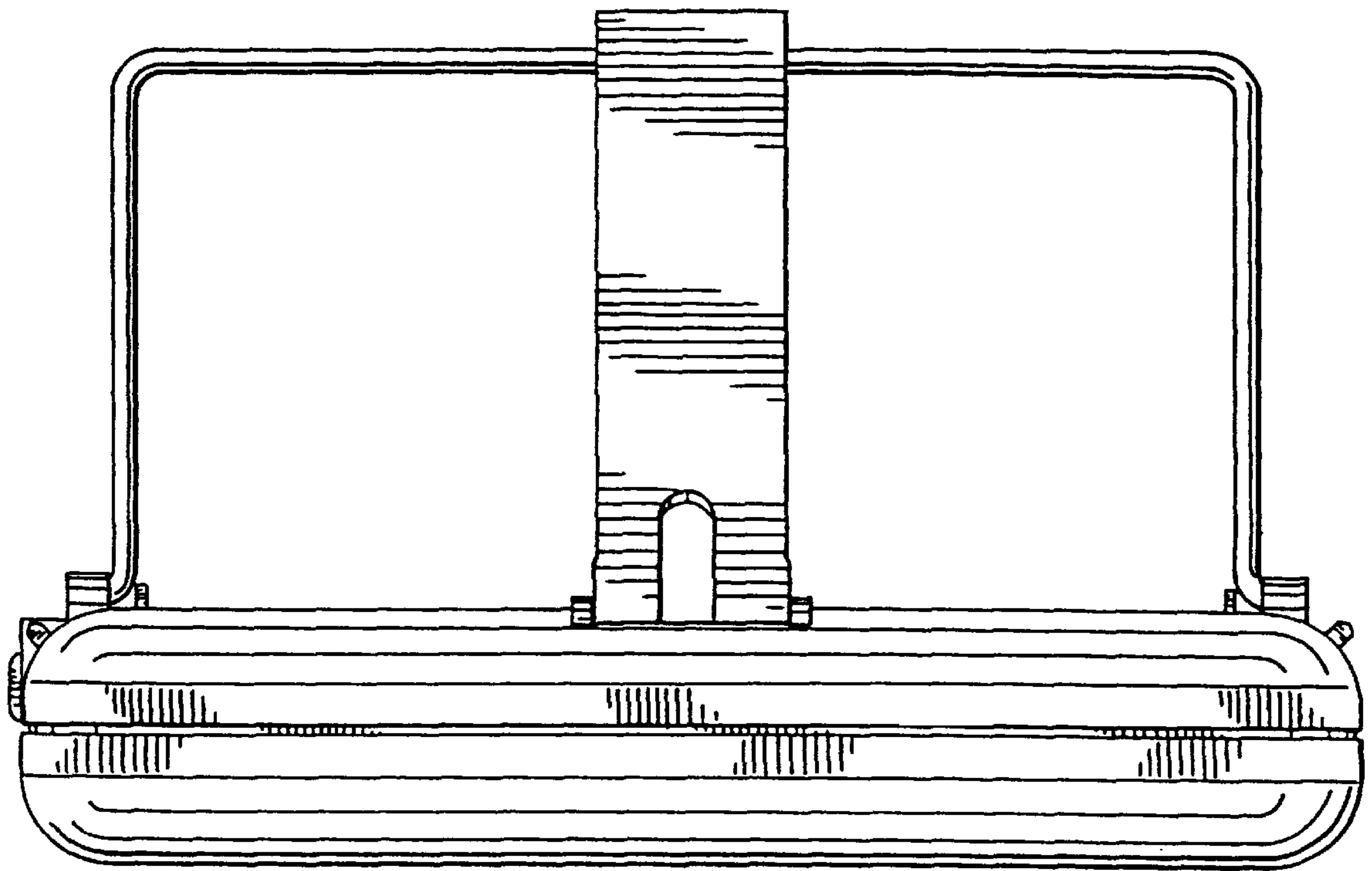


FIG. 7