



US00D426957S

United States Patent [19] Wen

[11] **Patent Number: Des. 426,957**

[45] **Date of Patent: ** Jun. 27, 2000**

[54] **TOOL BOX**

5,964,348 10/1999 Matsuda 206/376
5,988,382 11/1999 Ritchie et al. 206/372

[76] Inventor: **hsiu chu Wen**, 7F, No. 8, Sec 3, Lane 95, Jin Maa Rd., Changhua, Taiwan

[**] Term: **14 Years**

Primary Examiner—Louis S. Zarfaz
Assistant Examiner—Catherine R. Oliver
Attorney, Agent, or Firm—Pro-Techtor International Services

[21] Appl. No.: **29/113,060**

[57] **CLAIM**

[22] Filed: **Oct. 27, 1999**

The ornamental design for tool box, as shown and described.

[51] **LOC (7) Cl.** **03-01**

DESCRIPTION

[52] **U.S. Cl.** **D3/315; D3/905**

[58] **Field of Search** D3/315, 905, 304, D3/313, 307, 273, 294, 201, 301; 206/372-375, 565, 376; 211/70.6; 220/331, 333, 212

FIG. 1 is a perspective view of the appearance of my new design;

FIG. 2 is a front view thereof;

FIG. 3 is a rear view thereof;

FIG. 4 is a left view thereof;

FIG. 5 is a right view thereof;

FIG. 6 is a top view thereof; and,

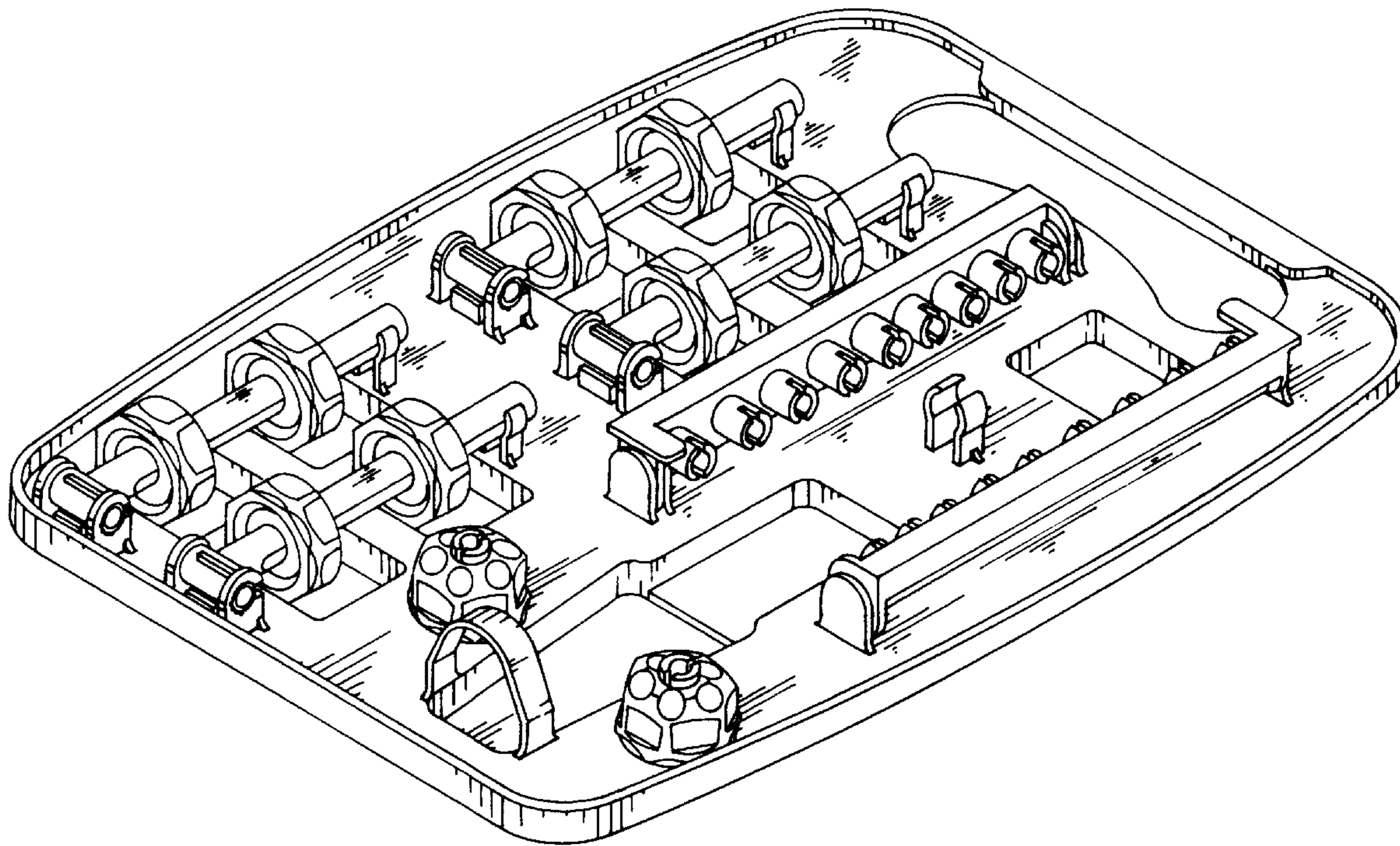
FIG. 7 is a bottom view thereof.

[56] **References Cited**

U.S. PATENT DOCUMENTS

D. 394,952 6/1998 Wei D3/273
D. 400,709 11/1998 Chang D3/294
D. 419,772 2/2000 Williams D3/313
5,203,469 4/1993 Chang et al. 206/372 X

1 Claim, 5 Drawing Sheets



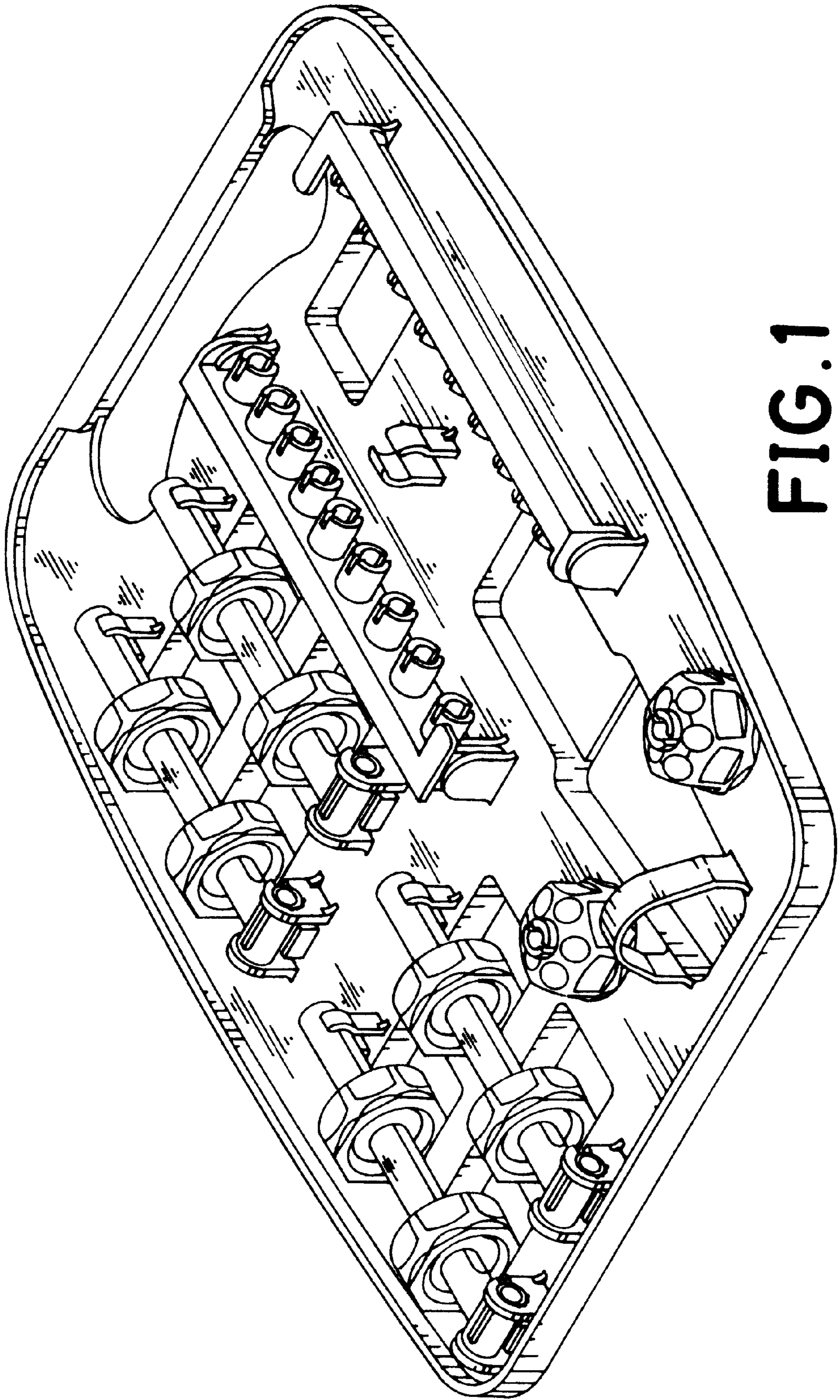


FIG. 1

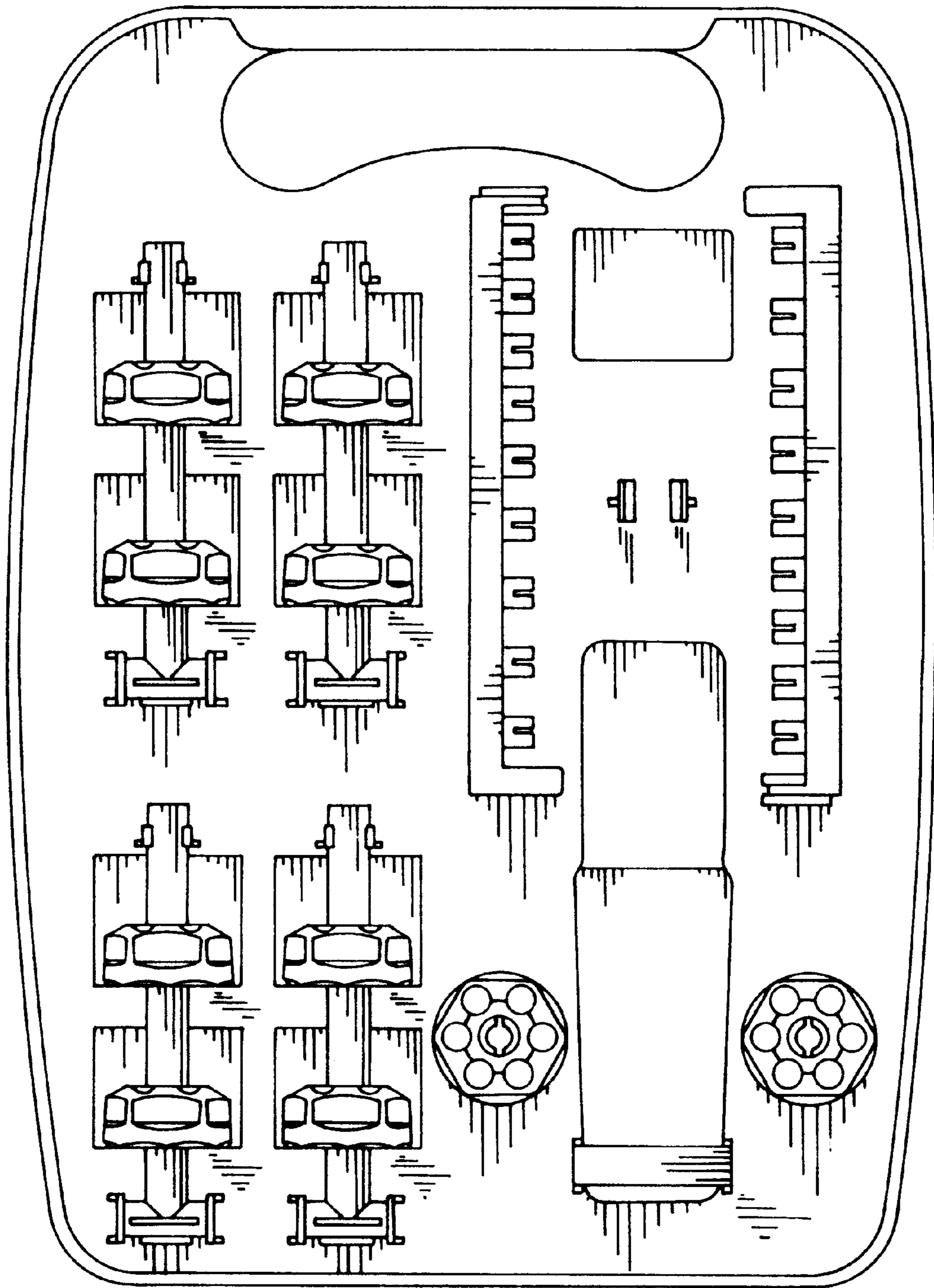


FIG. 2

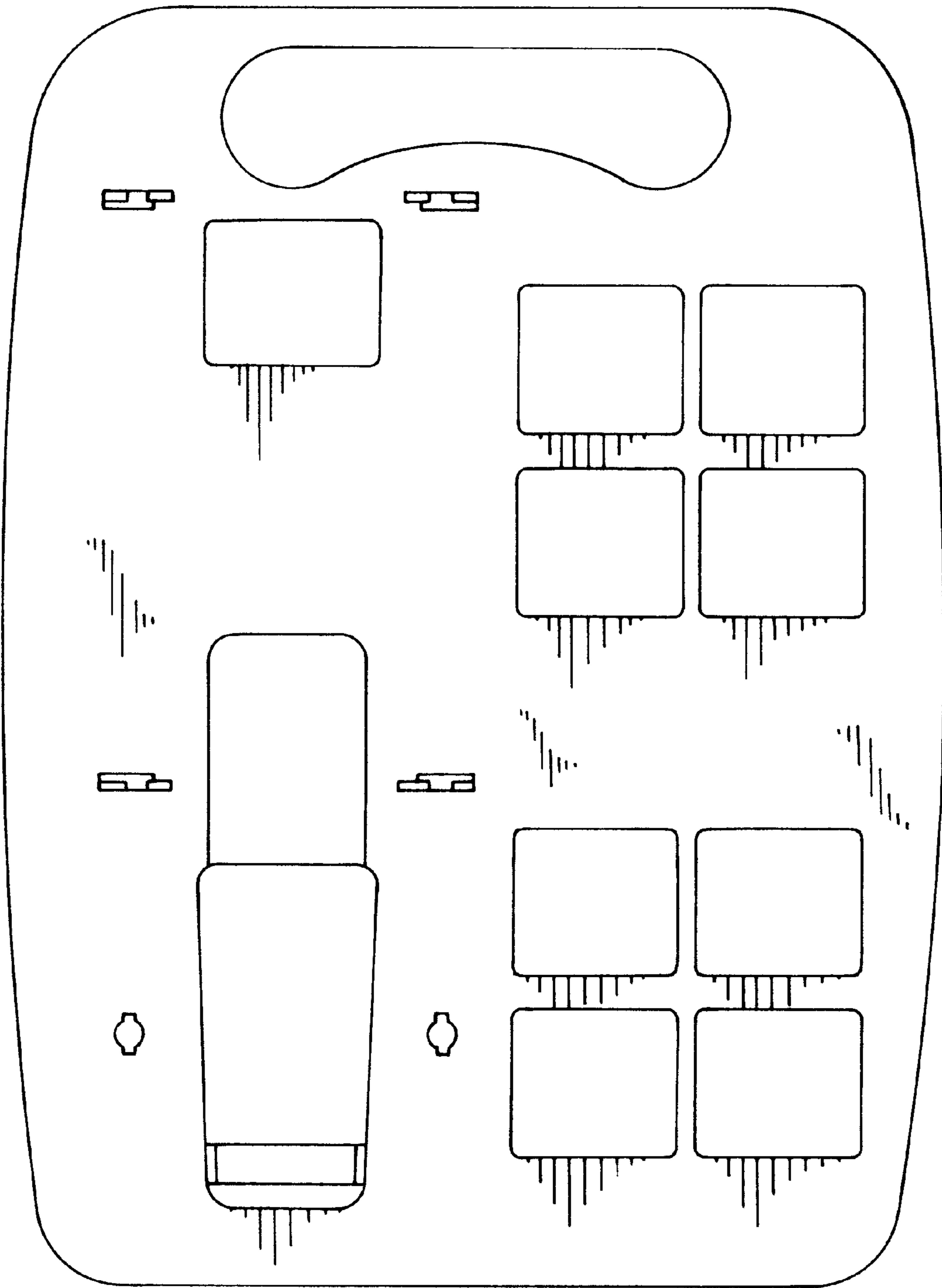


FIG. 3

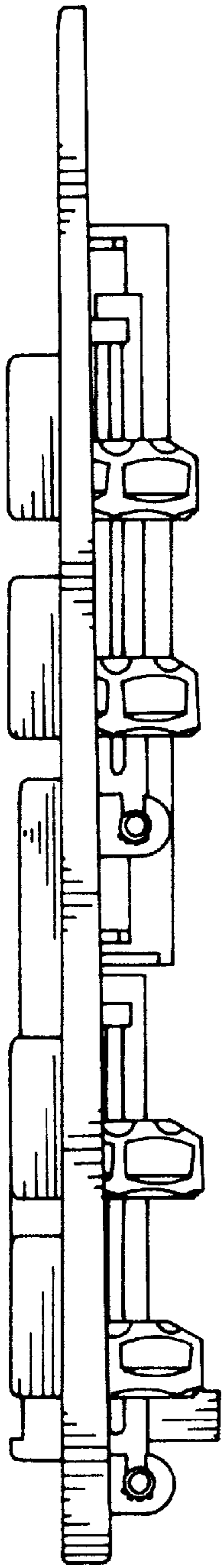


FIG. 4

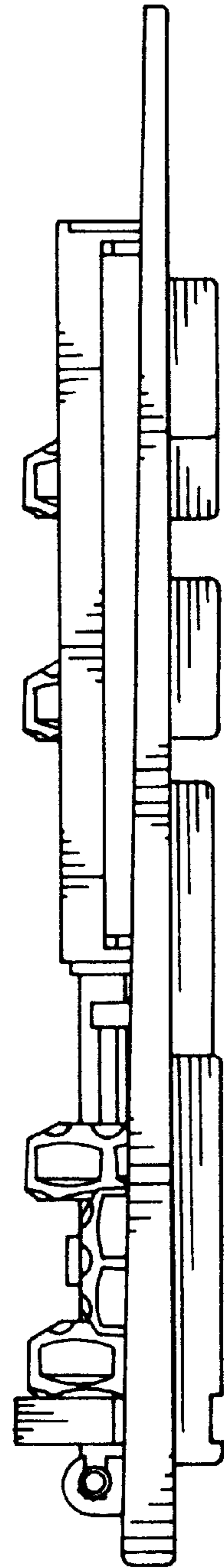


FIG. 5

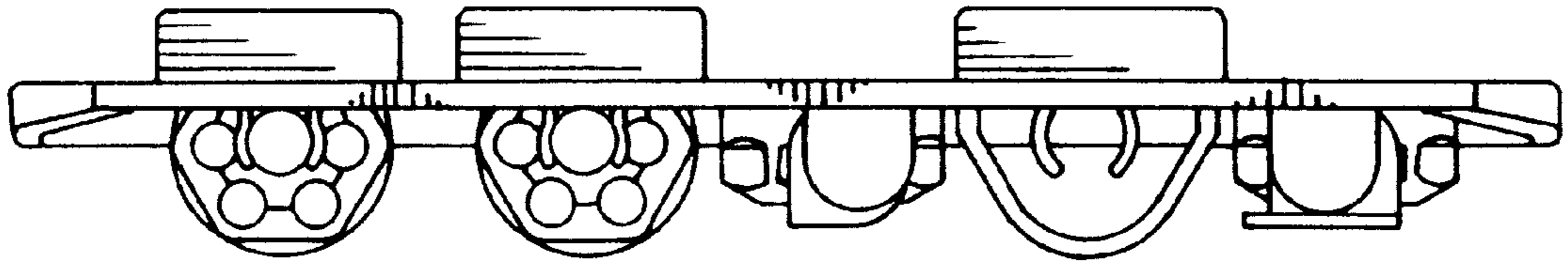


FIG. 6

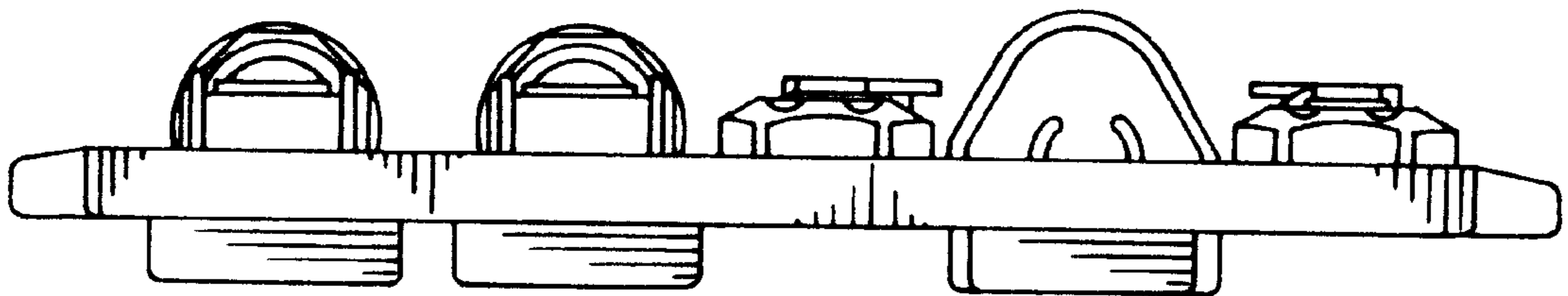


FIG. 7