



US00D426952S

United States Patent [19]

[11] **Patent Number: Des. 426,952**

Zebe, Jr.

[45] **Date of Patent: ** Jun. 27, 2000**

[54] **FLAP CLOSURE**

2,437,099 3/1948 Krupp 150/118
4,262,718 4/1981 Stark 150/119

[76] Inventor: **Charles W. Zebe, Jr.**, 201 Glen Brook Pl., Hightstown, N.J. 08520

Primary Examiner—Louis S. Zarfes
Assistant Examiner—Catherine R. Oliver
Attorney, Agent, or Firm—Sperry, Zoda & Kane

[**] Term: **14 Years**

[21] Appl. No.: **29/110,617**

[57] **CLAIM**

[22] Filed: **Sep. 3, 1999**

The ornamental design for a flap closure, as shown.

[51] **LOC (7) Cl.** **03-01**

DESCRIPTION

[52] **U.S. Cl.** **D3/243; D3/232**

FIG. 1 is a front and left side perspective view of the flap closure showing my new design;

[58] **Field of Search** D3/323, 318, 321, D3/243, 244, 290, 232, 326, 324; D8/330, 331, 342; 150/118, 119; 190/119

FIG. 2 is a top plan view;

FIG. 3 is a front elevational view;

FIG. 4 is a right side elevational view; and,

FIG. 5 is a bottom plan view.

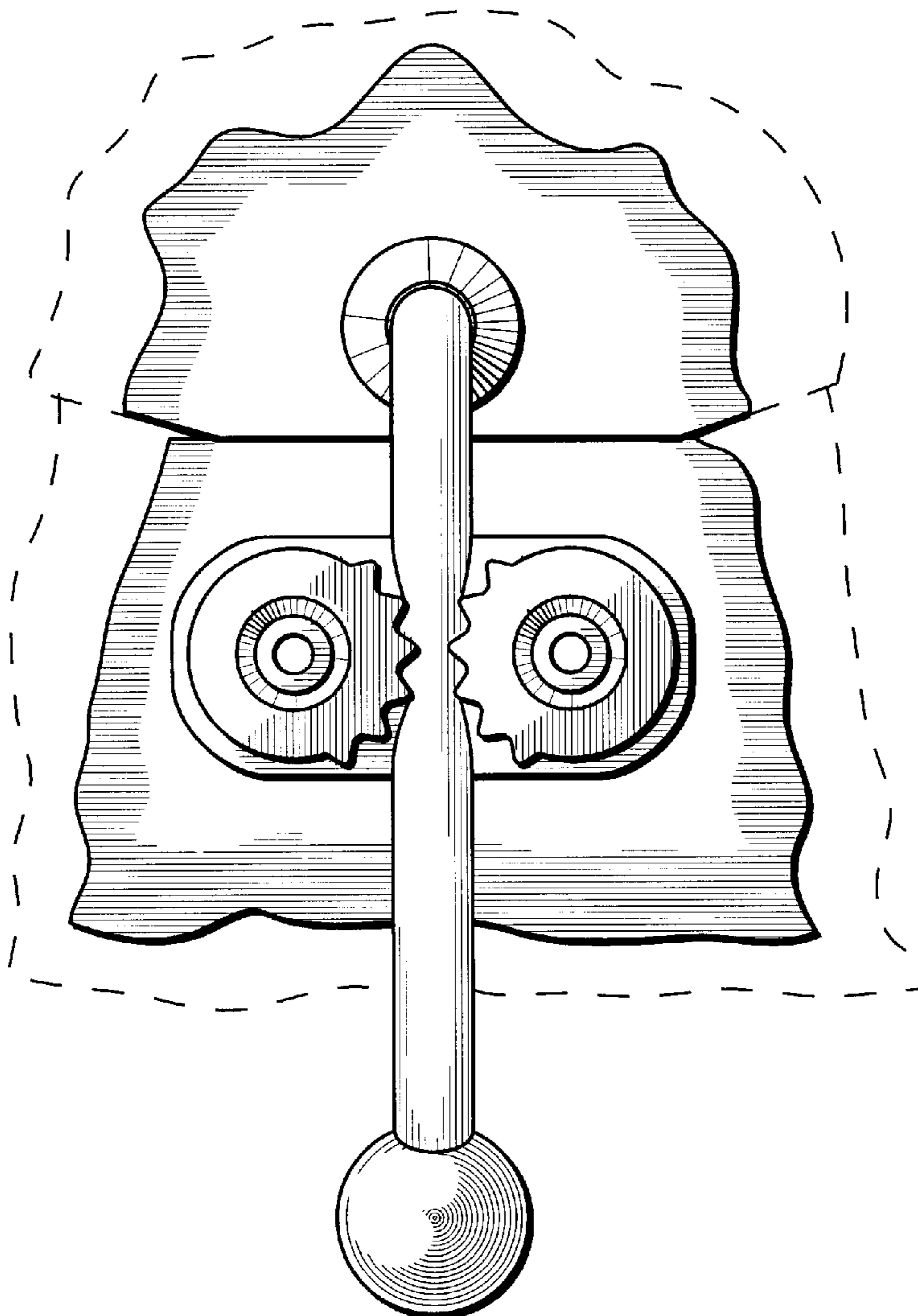
[56] **References Cited**

The broken line showing of environment in the drawings is for illustrative purposes only and forms no part of the claimed design.

U.S. PATENT DOCUMENTS

D. 159,919	8/1950	Munn	D3/232
D. 250,087	10/1978	Stark	190/119
D. 358,706	5/1995	Kopel	D3/233
D. 383,000	9/1997	Fendi	D3/324

1 Claim, 2 Drawing Sheets



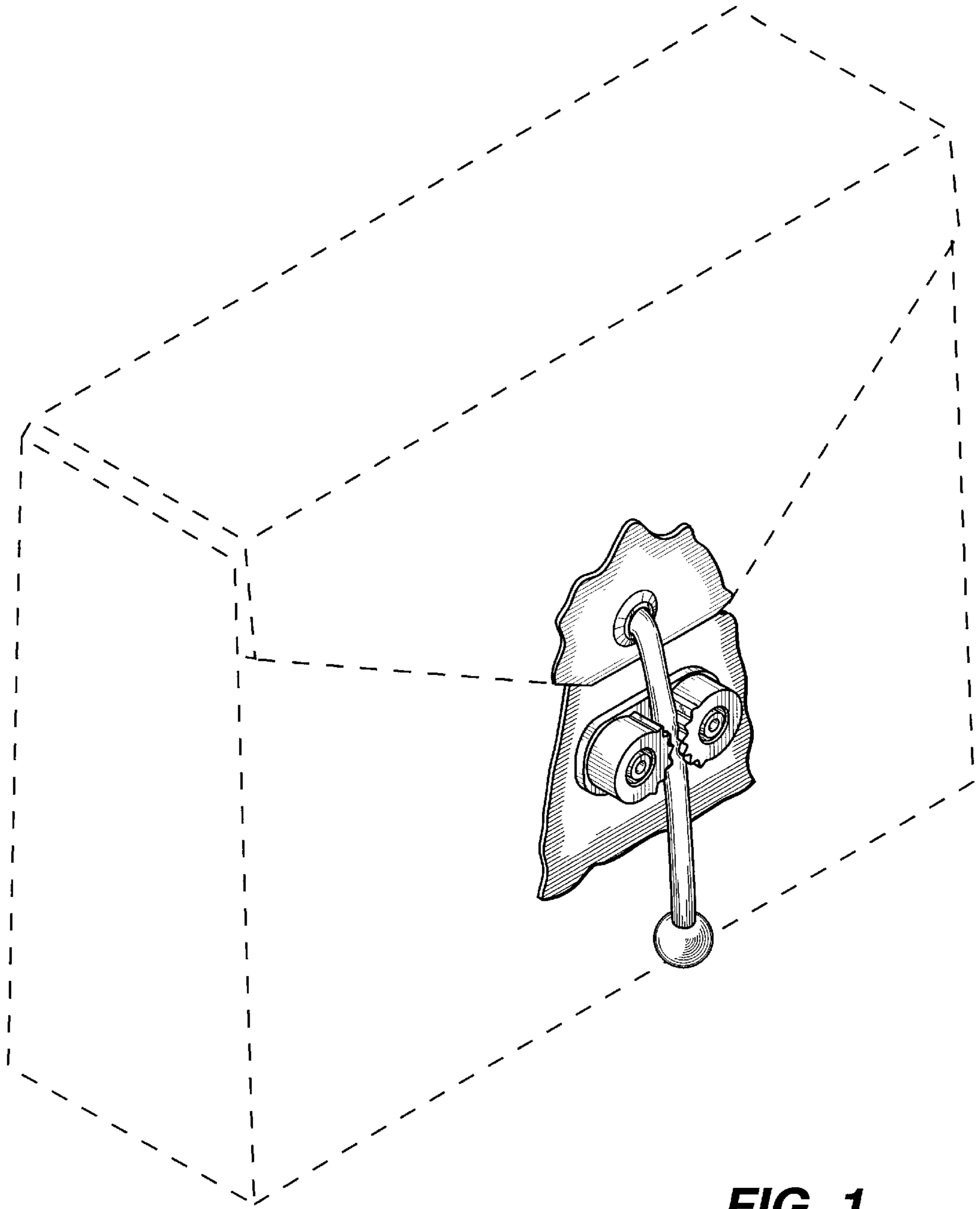


FIG. 1

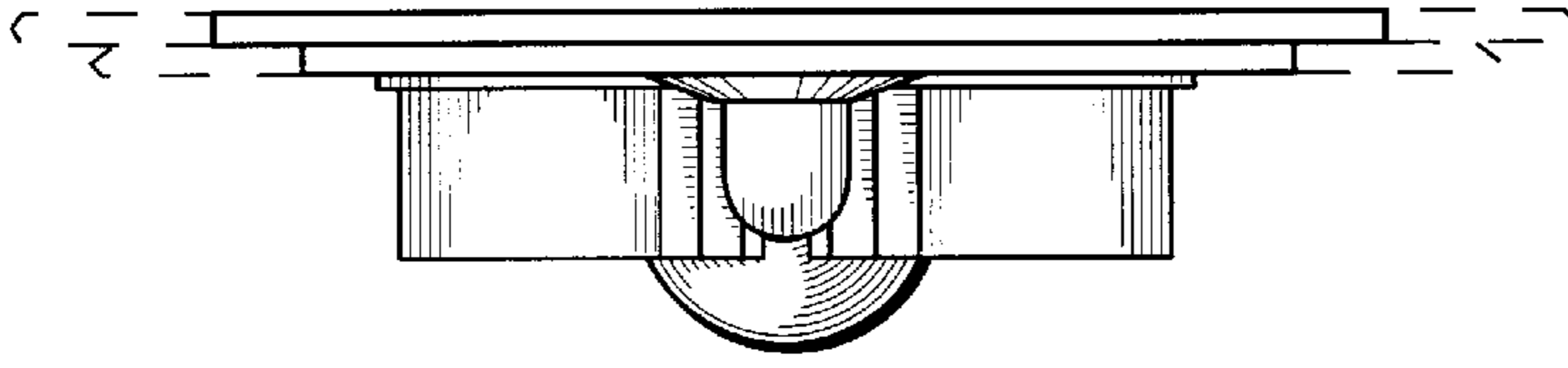


FIG. 2

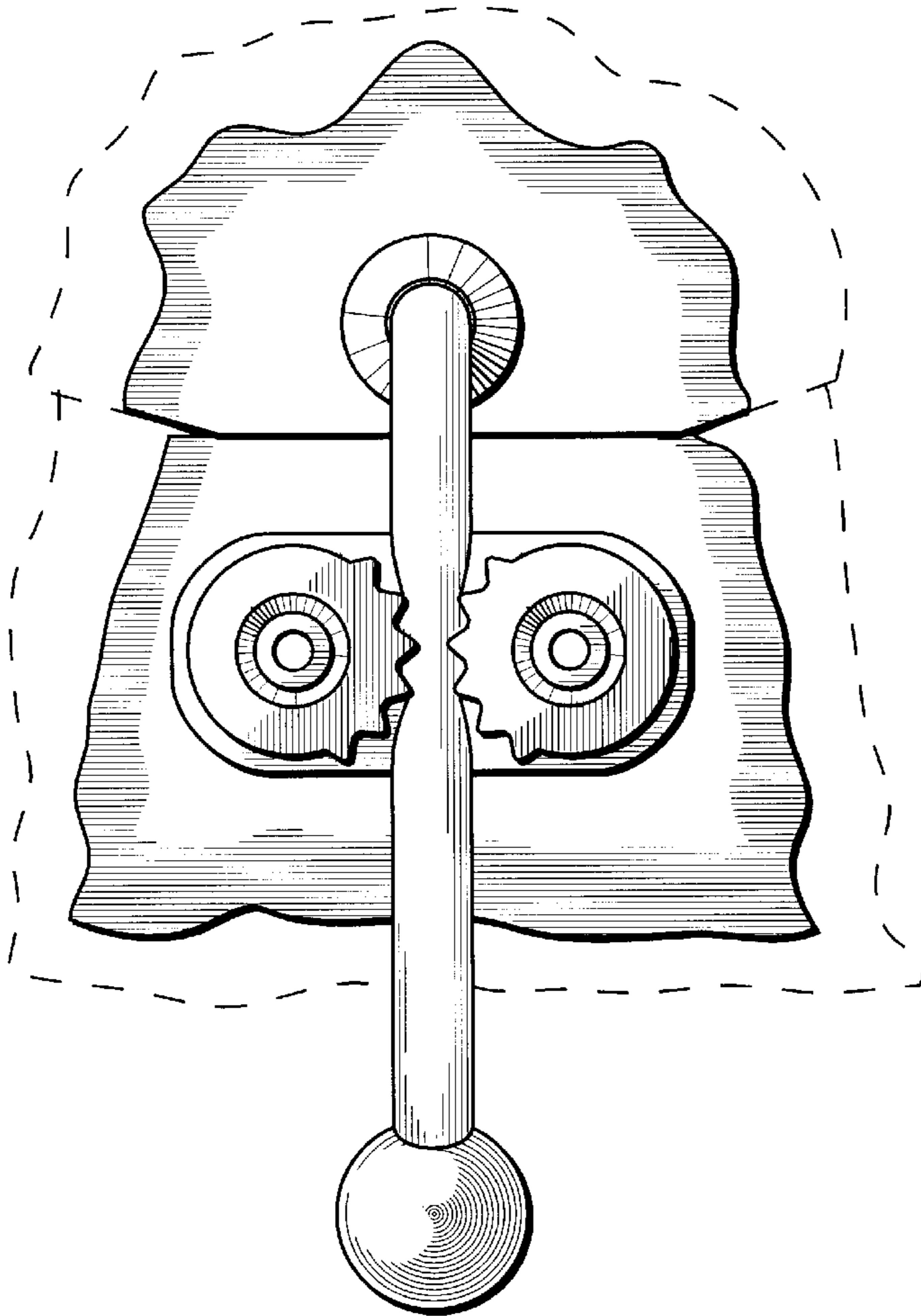


FIG. 3

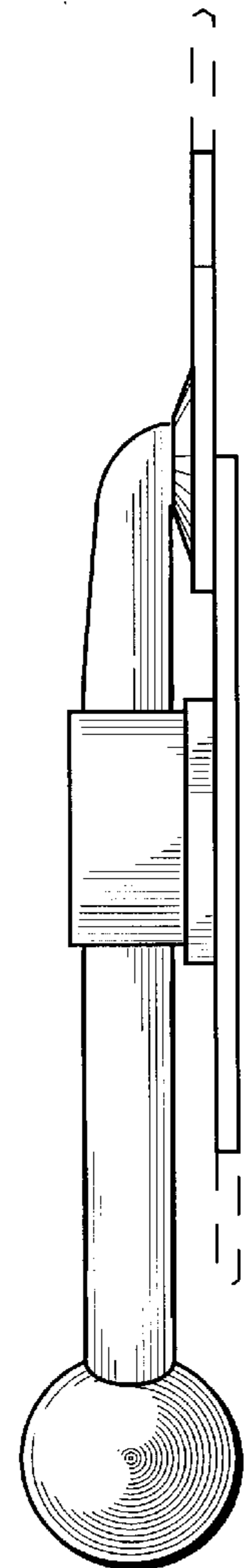


FIG. 4

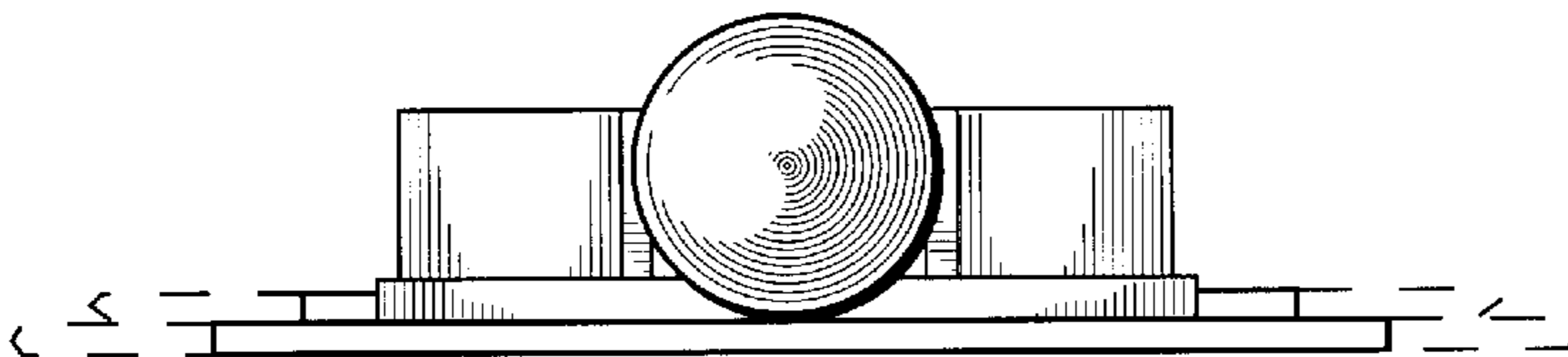


FIG. 5