



US00D426930S

United States Patent [19]

[11] **Patent Number: Des. 426,930**

De Deyne et al.

[45] **Date of Patent: ** Jun. 20, 2000**

[54] **PORTABLE LIFTING AID FOR THE HANDICAPPED**

D. 384,469	9/1997	De Deyne	D34/28
5,347,666	9/1994	Kippes	5/81.1
5,662,131	9/1997	Scarborough et al.	5/83.1
5,692,253	12/1997	Keijser et al.	5/83.1

[75] Inventors: **Gustave De Deyne**, Hot Springs, Ark.;
Jerome J. Hruska, Branson, Mo.

Primary Examiner—Alan P. Douglas
Assistant Examiner—Robin V. Taylor

[73] Assignee: **Gustav DeDeyne**, Hot Springs, Ark.

[**] Term: **14 Years**

[57] **CLAIM**

[21] Appl. No.: **29/075,901**

The ornamental design for a portable lifting aid for the handicapped, as shown and described.

[22] Filed: **Sep. 2, 1997**

DESCRIPTION

Related U.S. Application Data

[63] Continuation-in-part of application No. 29/051,118, Mar. 4, 1996, Pat. No. Des. 384,469.

FIG. 1 is a front isometric view of our portable lifting aid for the handicapped;

[51] **LOC (7) Cl.** **12-05**

FIG. 2 is a rear isometric view thereof;

[52] **U.S. Cl.** **D34/28**

FIG. 3 is a side elevational view thereof, the opposite side comprising a mirror image;

[58] **Field of Search** D34/28, 33; 5/81.1 R,
5/81.1 T, 83.1, 89.1; 414/921

FIG. 4 is a front elevational view thereof;

FIG. 5 is a rear elevational view thereof;

FIG. 6 is a top plan view thereof; and,

FIG. 7 is a bottom plan view.

[56] **References Cited**

U.S. PATENT DOCUMENTS

D. 384,468 9/1997 Tobias D34/28

1 Claim, 3 Drawing Sheets

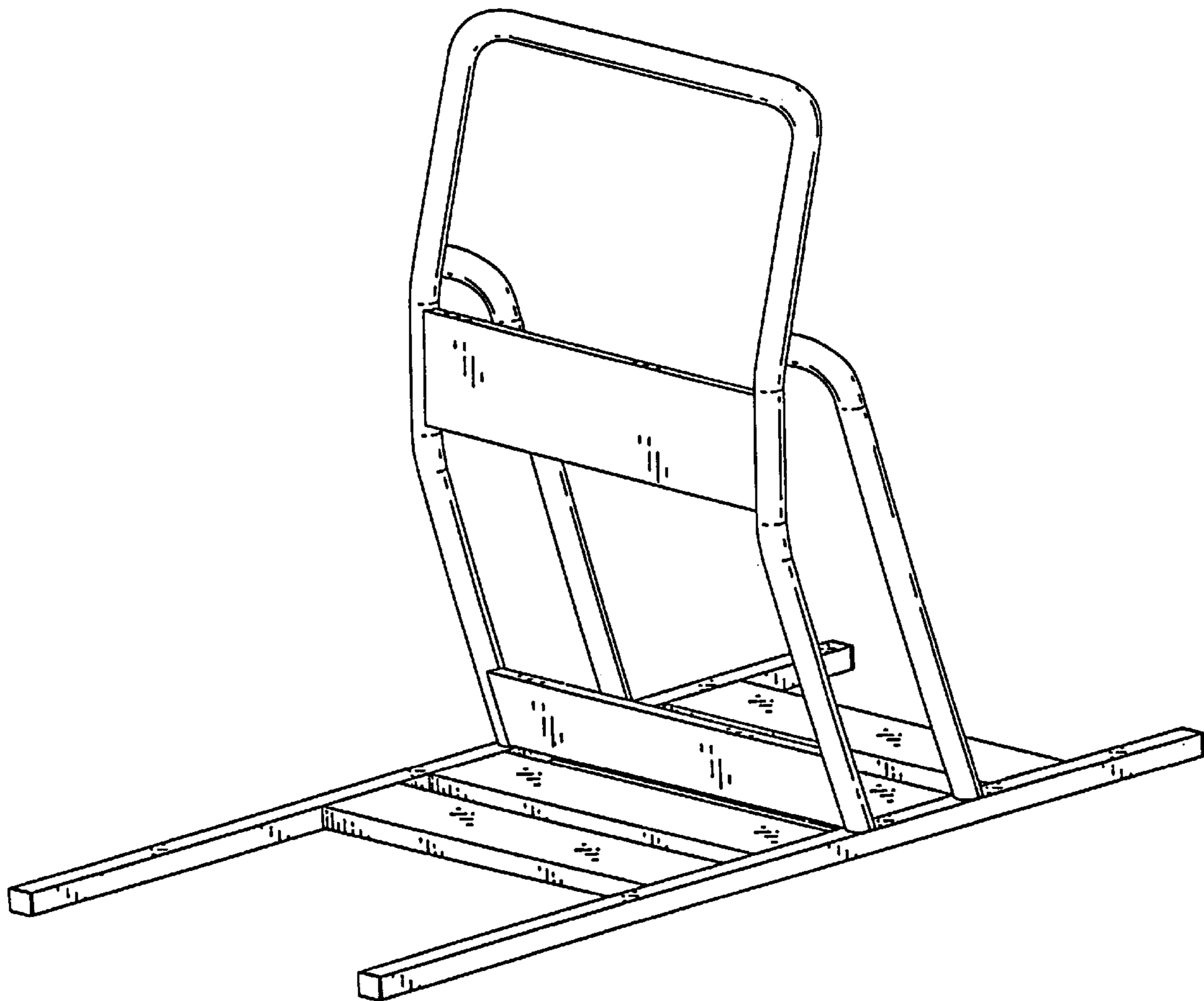


FIG. 1

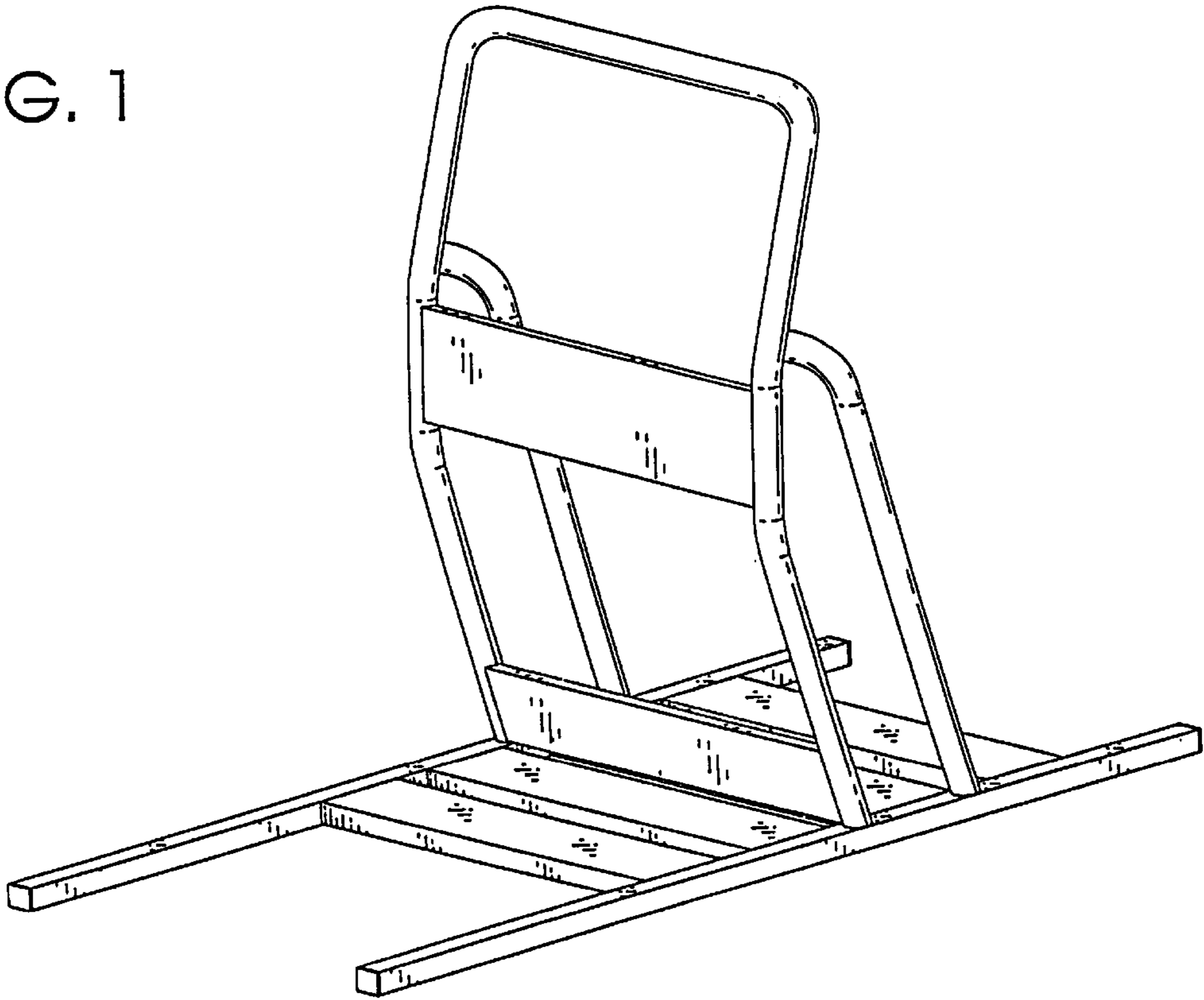


FIG. 2

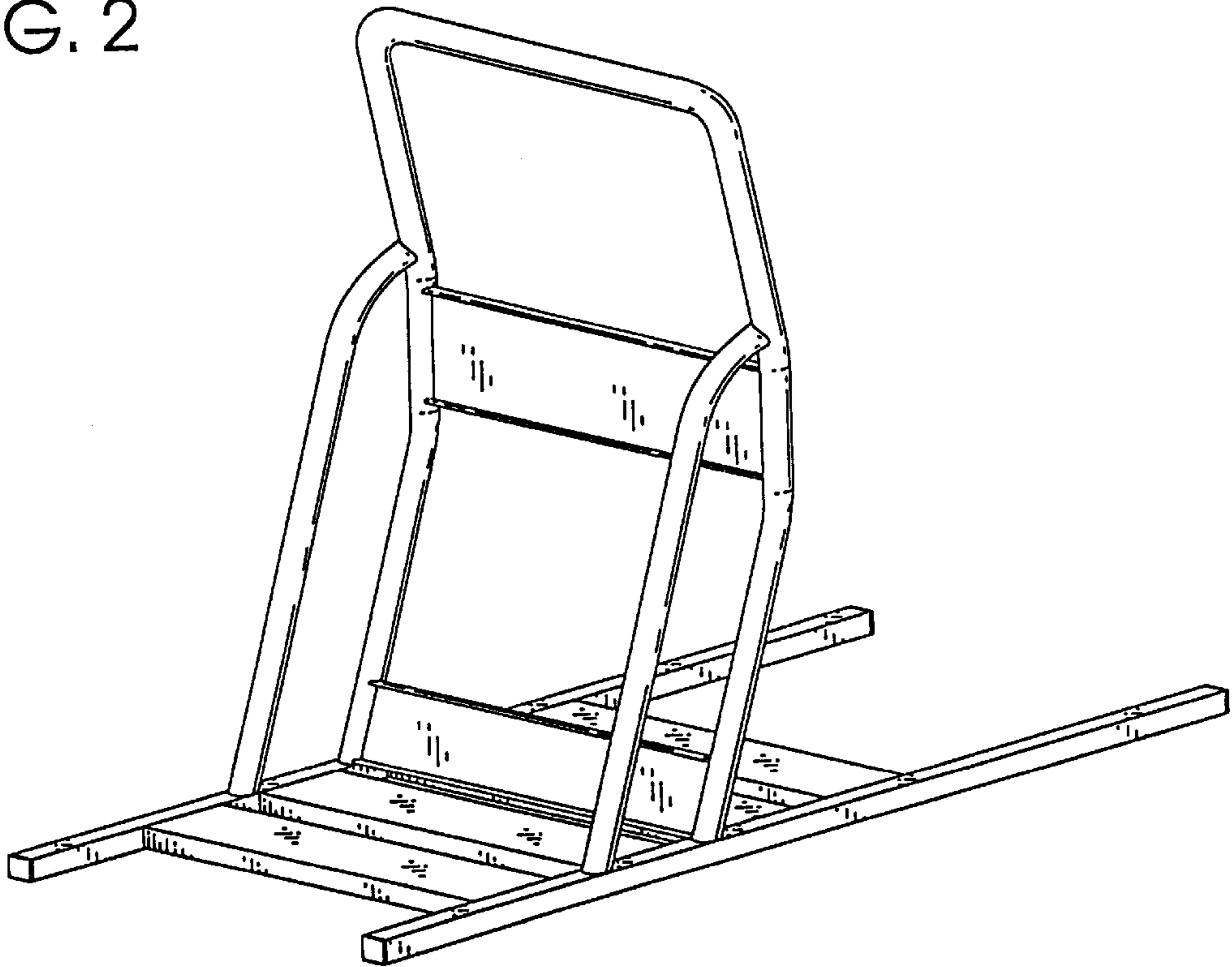


FIG. 3

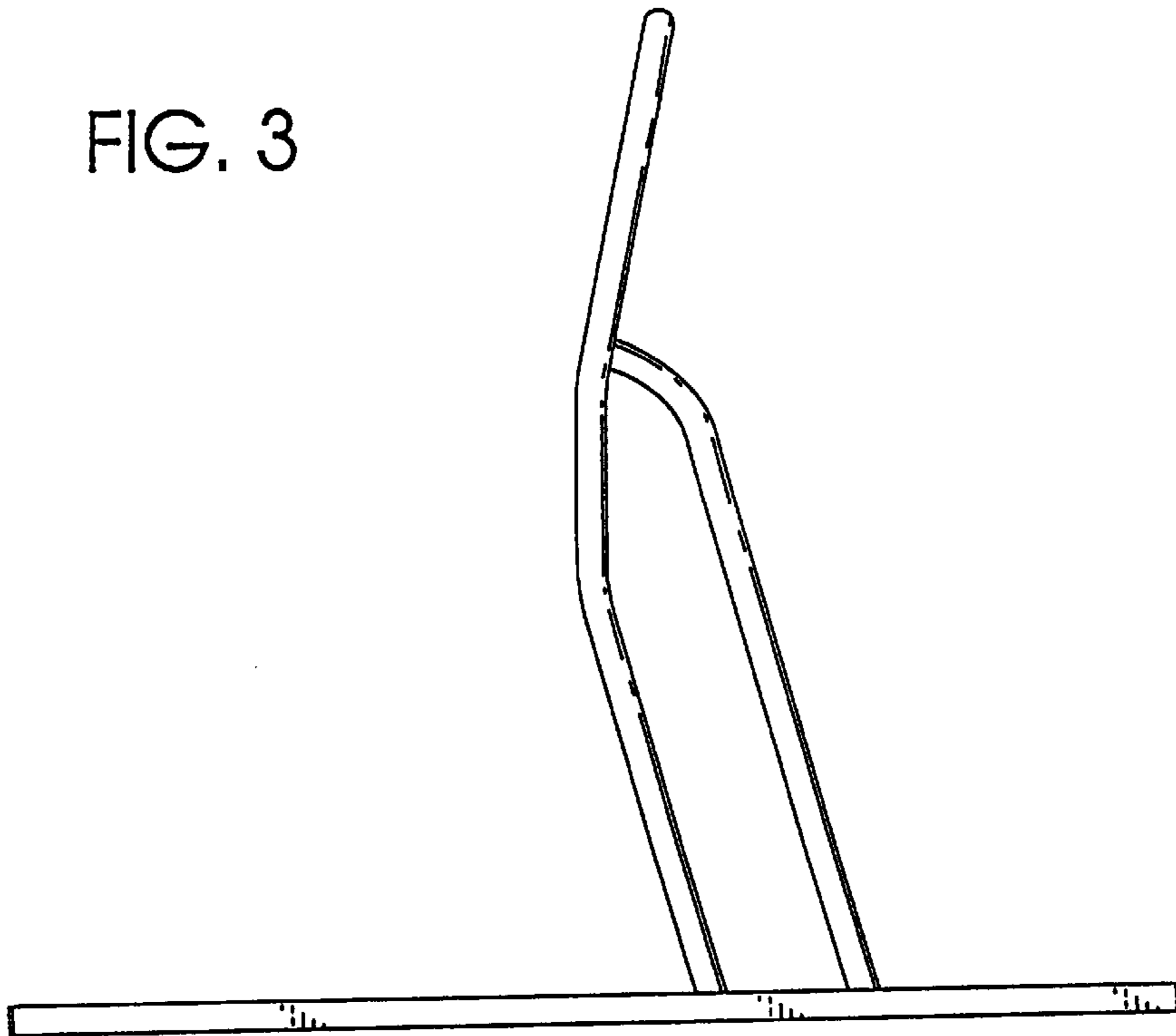


FIG. 4

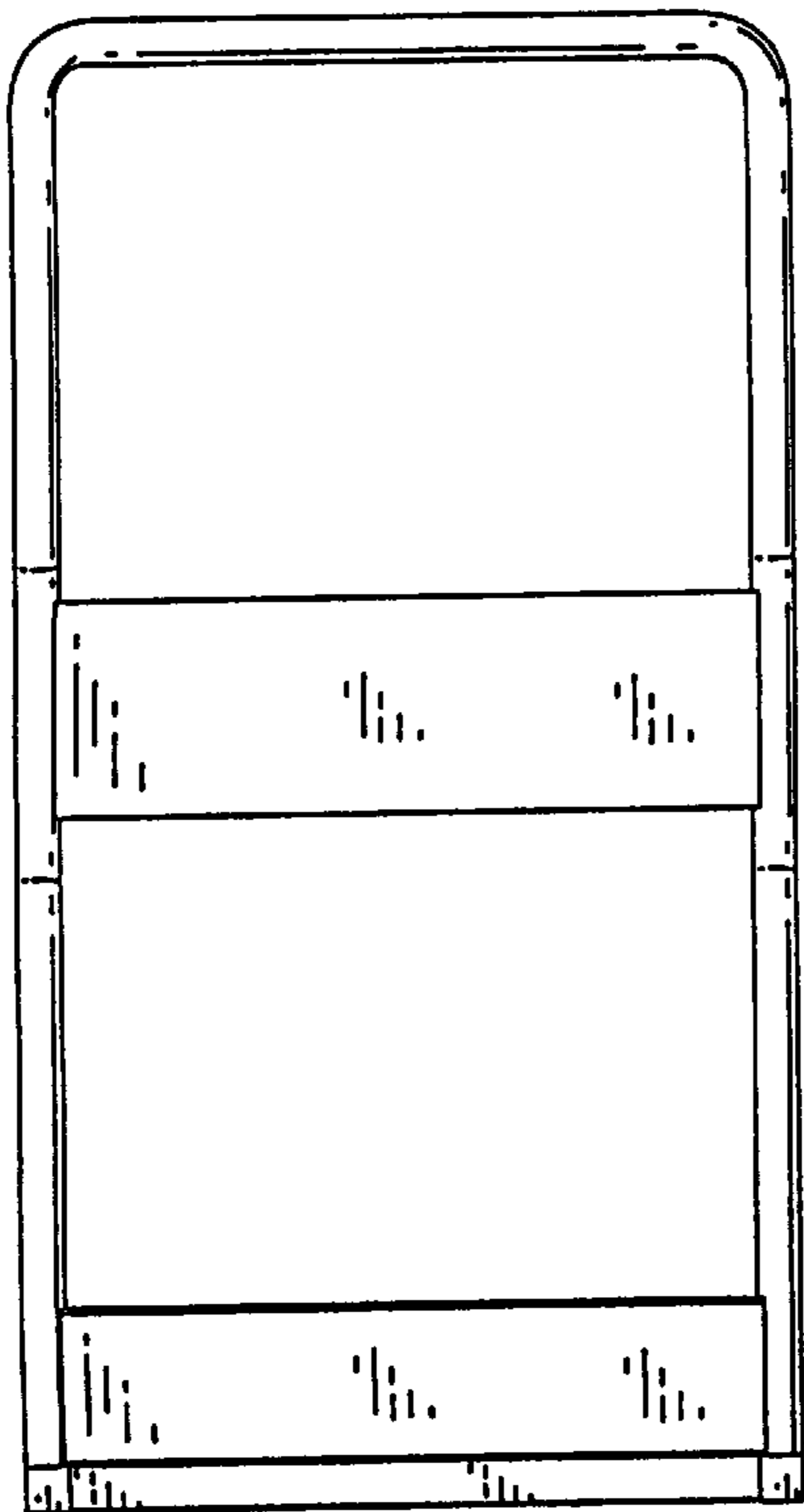


FIG. 5

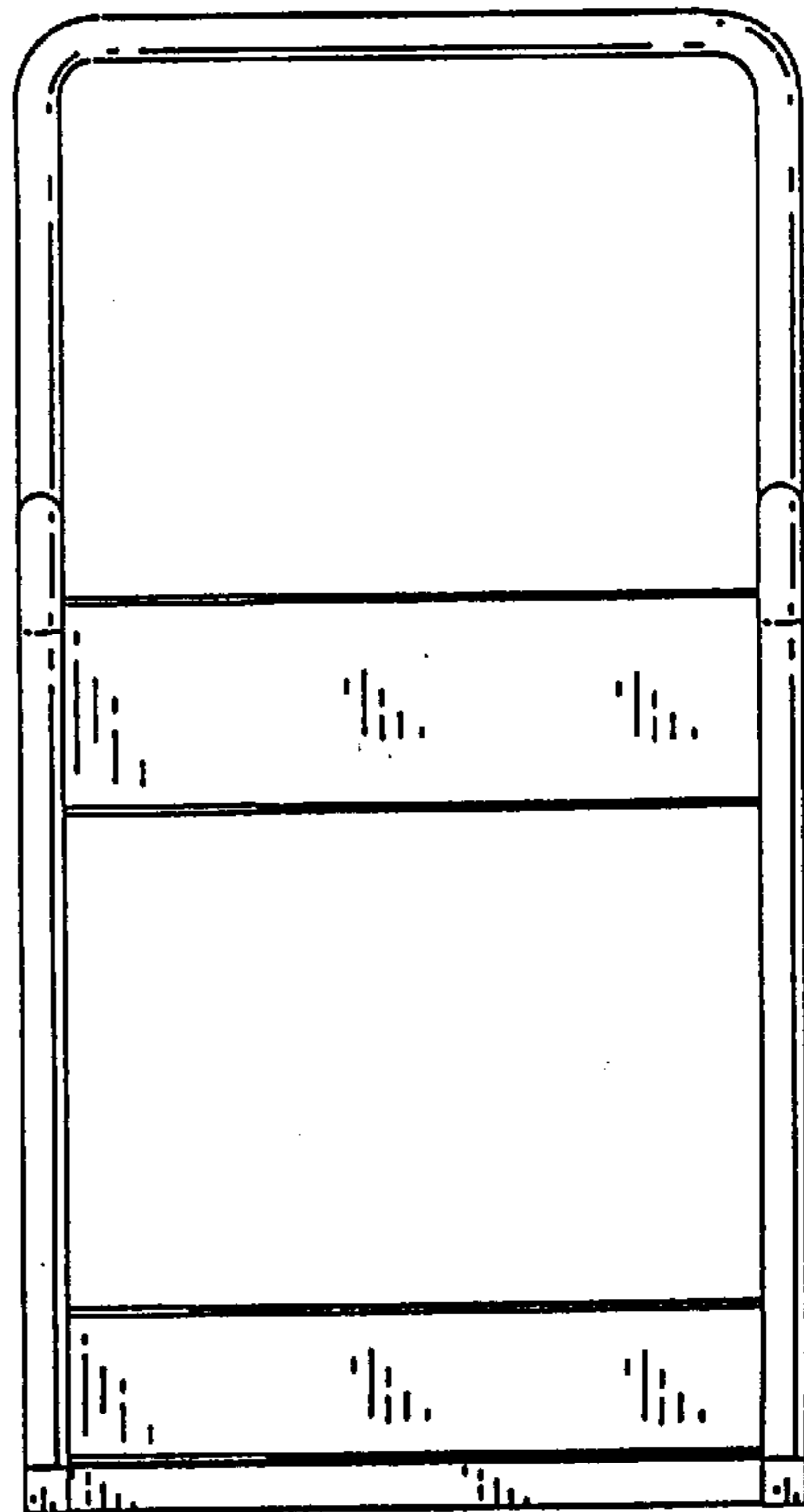


FIG. 6

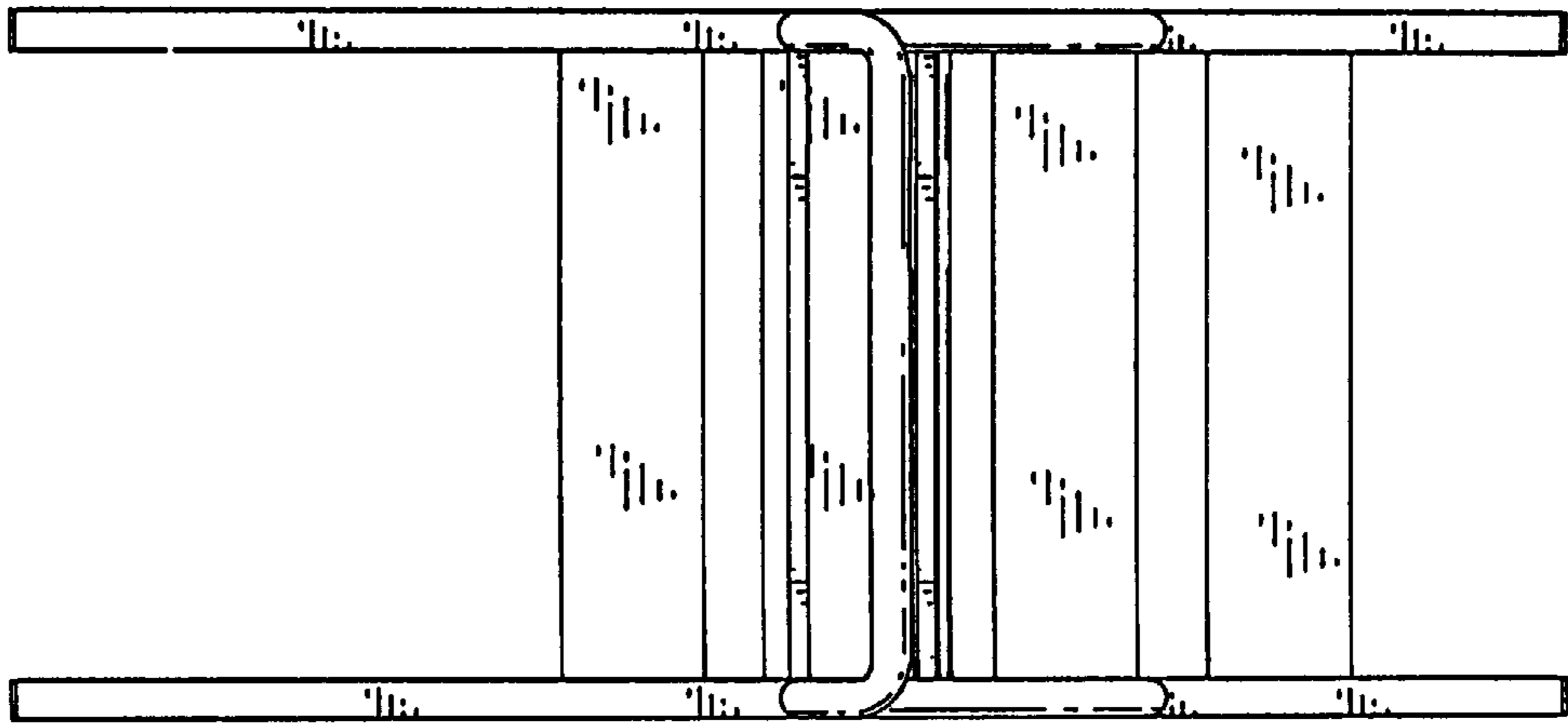


FIG. 7

