



US00D426929S

United States Patent [19]

Karp et al.

[11] Patent Number: **Des. 426,929**

[45] Date of Patent: **** Jun. 20, 2000**

[54] **SHOPPING CART ATTACHMENT**

[75] Inventors: **Geoffrey H. Karp**, Avon, Conn.; **Jason Karp**, New York, N.Y.

[73] Assignee: **Hands-On-Media L.L.C.**, Avon, Conn.

[**] Term: **14 Years**

[21] Appl. No.: **29/102,377**

[22] Filed: **Mar. 24, 1999**

[51] **LOC (7) Cl.** **12-02**

[52] **U.S. Cl.** **D34/27**

[58] **Field of Search** D34/12-27; 280/33.991, 280/33.992, 33.993; 40/308; 224/273, 277, 42.43; D19/52, 78, 84, 88, 90

[56] **References Cited**

U.S. PATENT DOCUMENTS

D. 321,577	11/1991	Ellis et al.	D34/21
D. 412,609	8/1999	Karp et al.	D34/27
4,443,961	4/1984	Gilroy	40/308
5,086,960	2/1992	Schwietzer	224/277

Primary Examiner—Kay H. Chin

Attorney, Agent, or Firm—Cantor Colburn LLP

[57] **CLAIM**

The ornamental design for a shopping cart attachment, as shown and described.

DESCRIPTION

FIG. 1 is a front perspective view of a shopping cart attachment showing a first embodiment of our new design; FIG. 2 is a top plan view thereof; FIG. 3 is a front elevational view thereof; FIG. 4 is a rear elevational view thereof; FIG. 5 is a left side view thereof; FIG. 6 is a right side view thereof; FIG. 7 is a bottom plan view thereof; FIG. 8 is a front perspective view of a shopping cart attachment showing a second embodiment of our new design; FIG. 9 is a top plan view thereof; FIG. 10 is a front elevational view thereof; FIG. 11 is a rear elevational view thereof; FIG. 12 is a left side view thereof; FIG. 13 is a right side view thereof; and, FIG. 14 is a bottom plan view thereof.

1 Claim, 4 Drawing Sheets

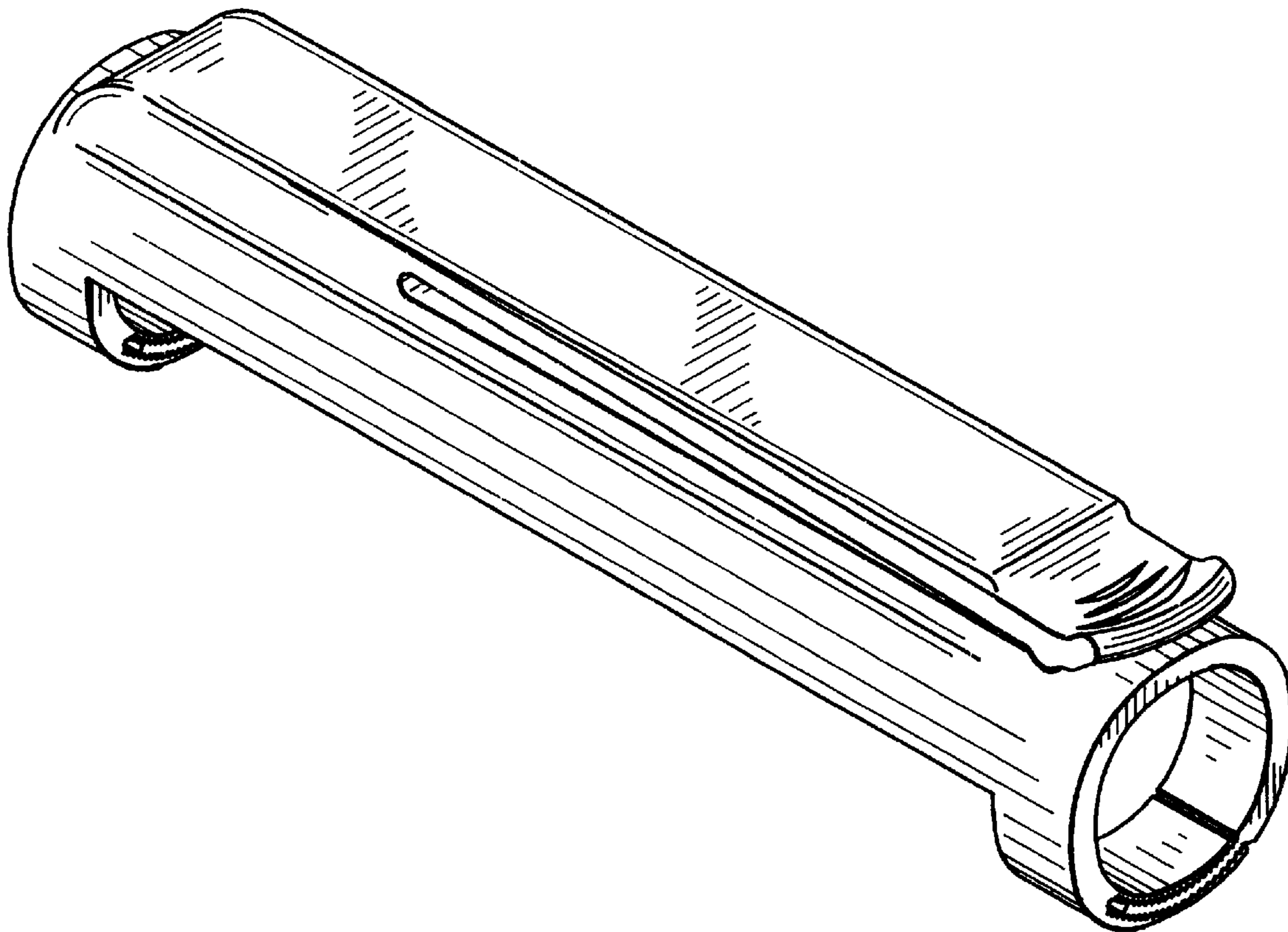


FIG. 1

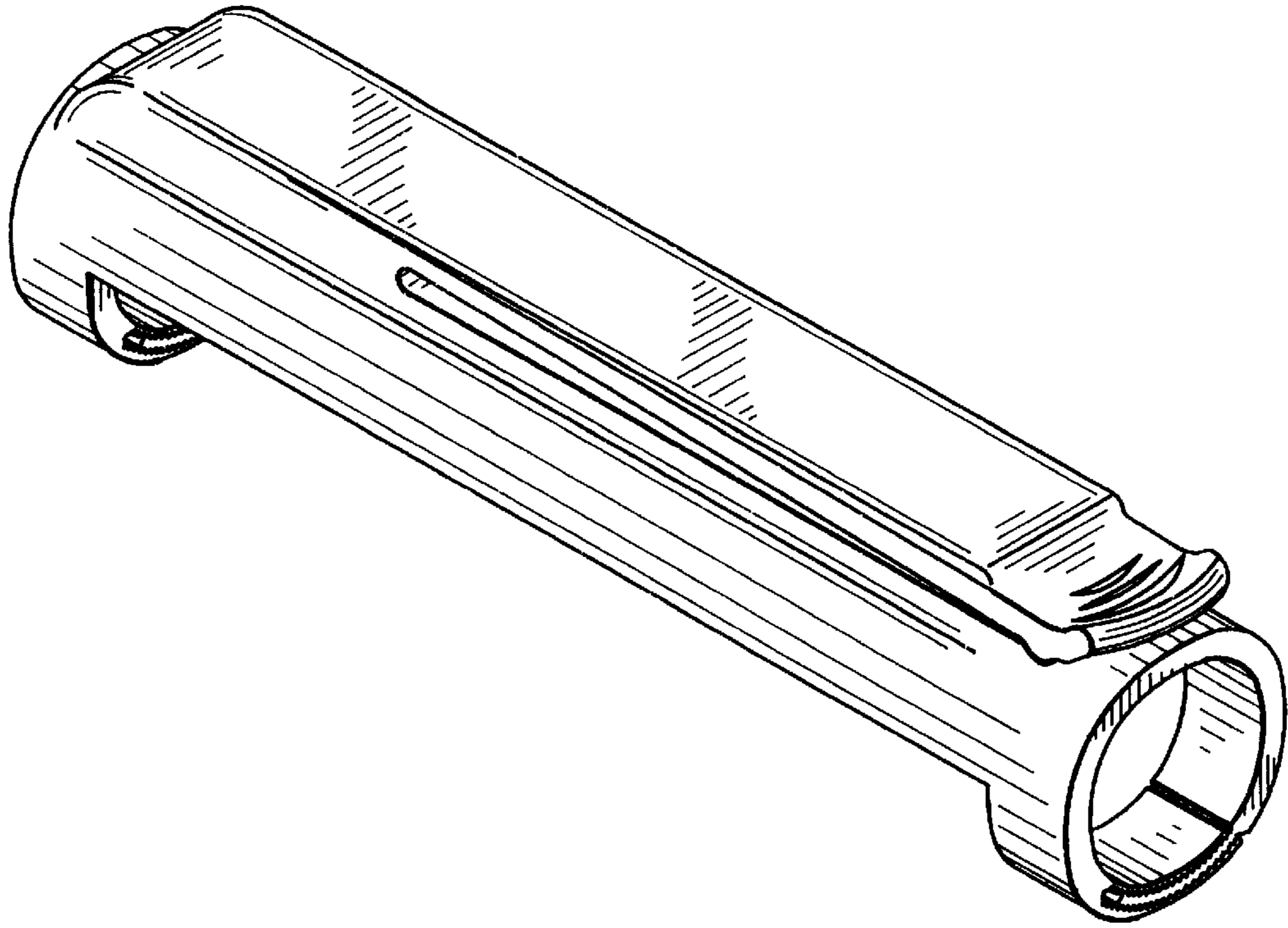


FIG. 2

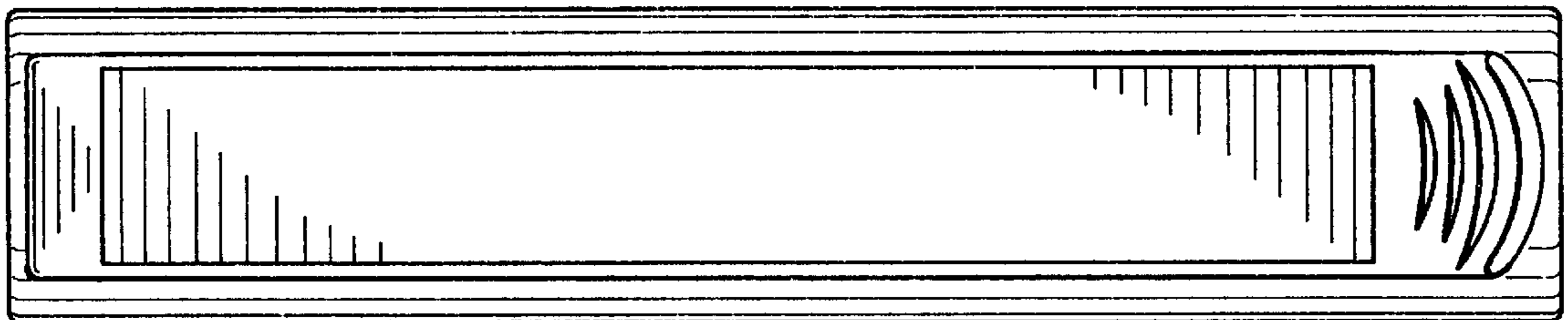


FIG. 3

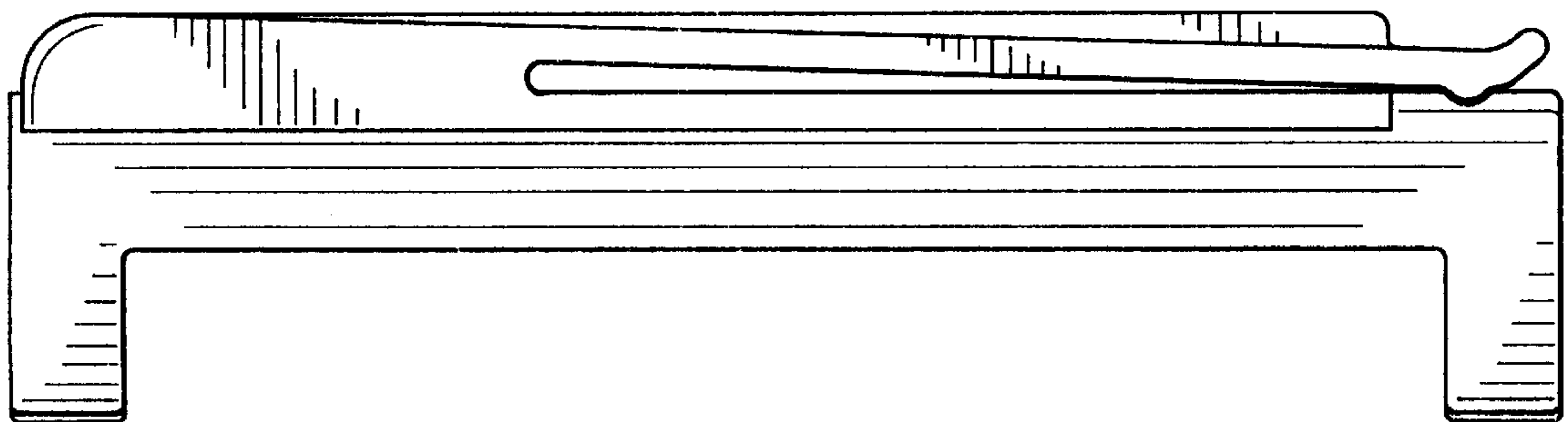


FIG. 4

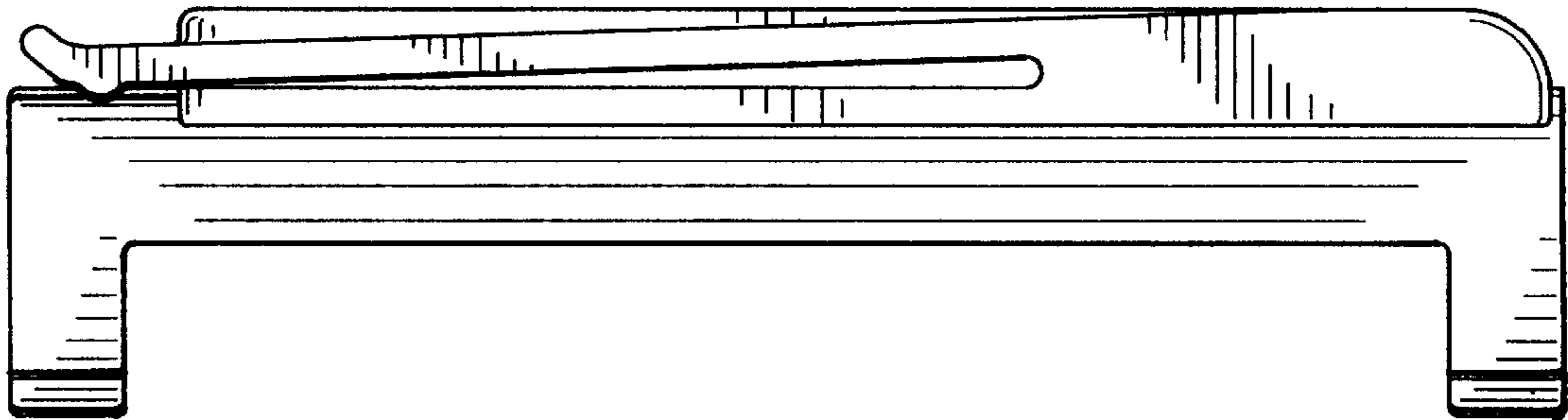


FIG. 5

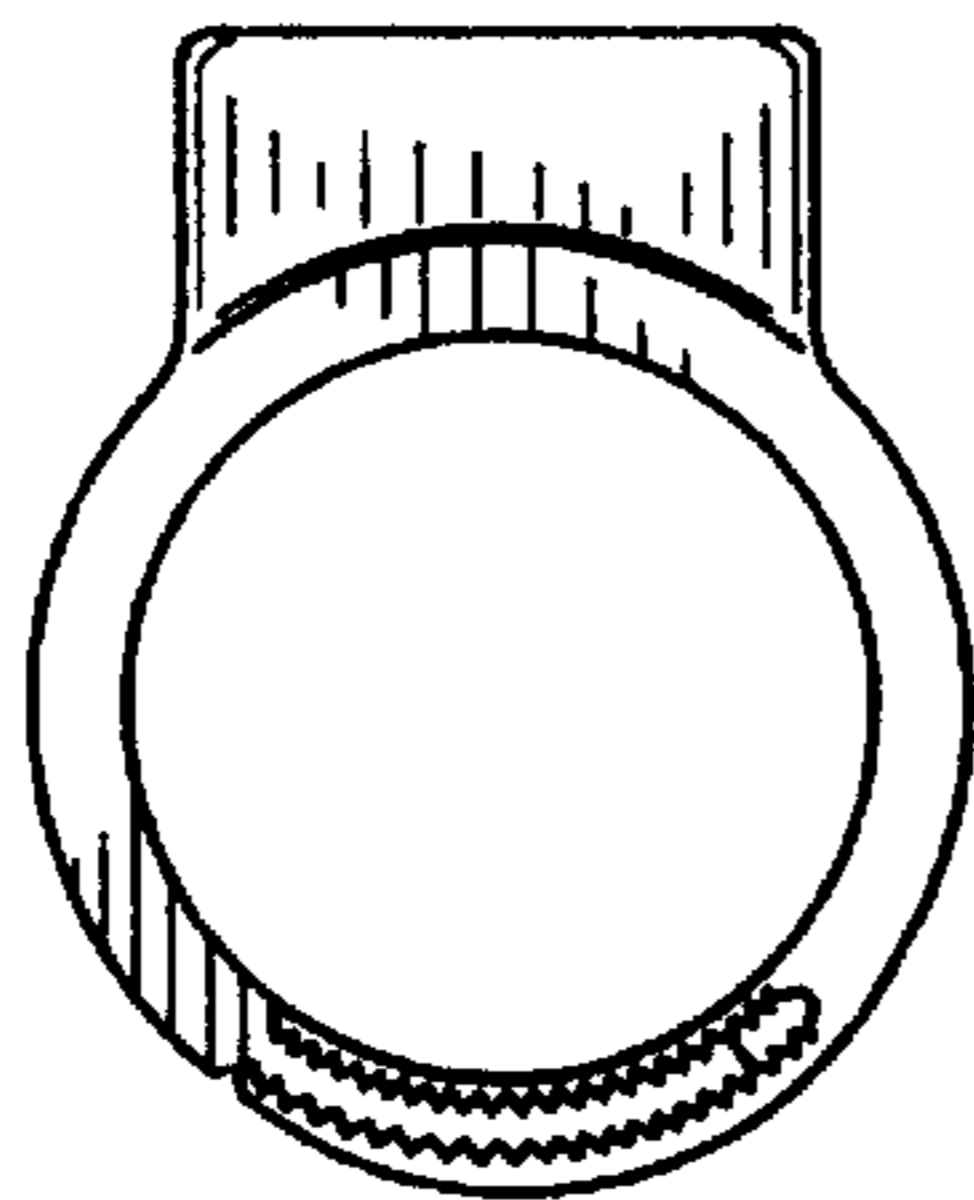


FIG. 6

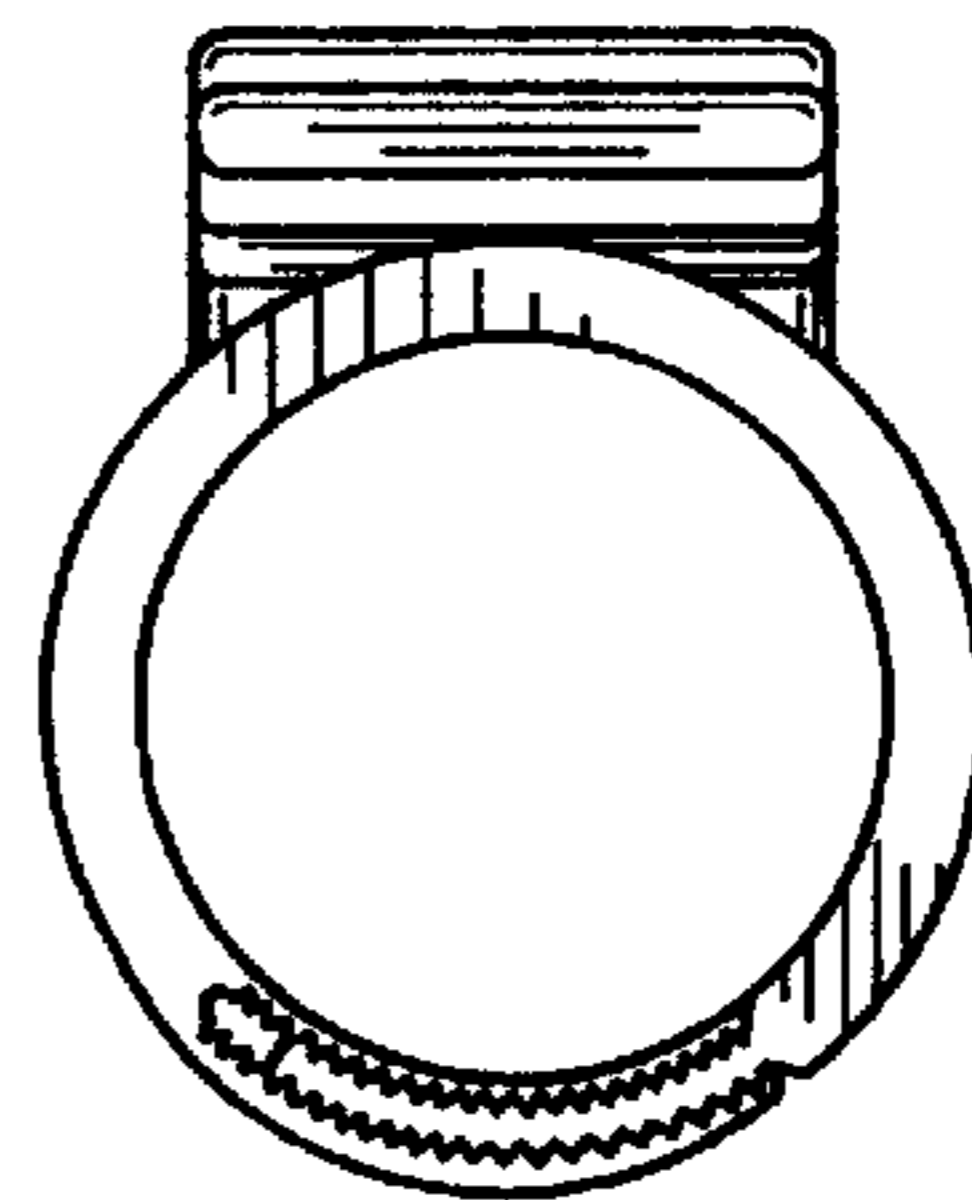


FIG. 7

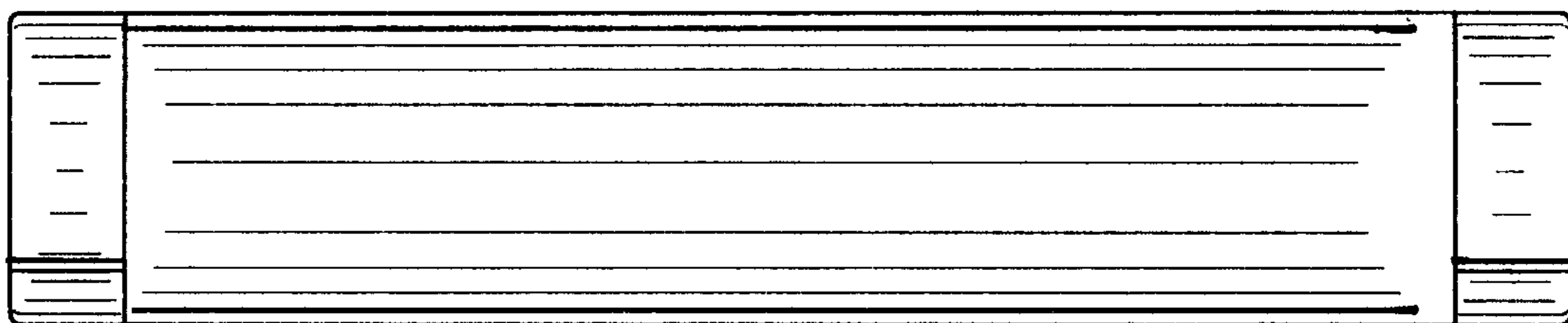


FIG. 8

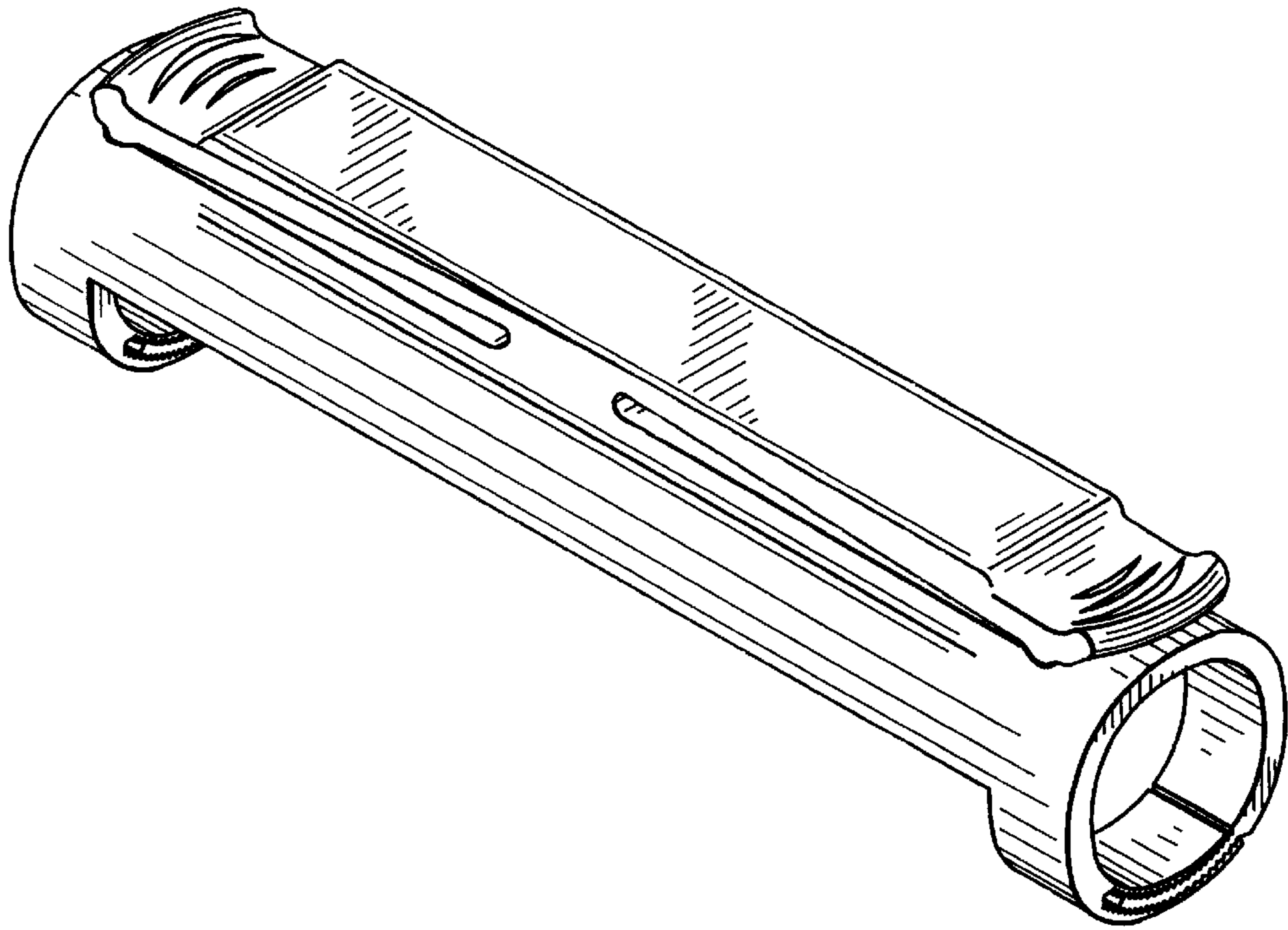


FIG. 9

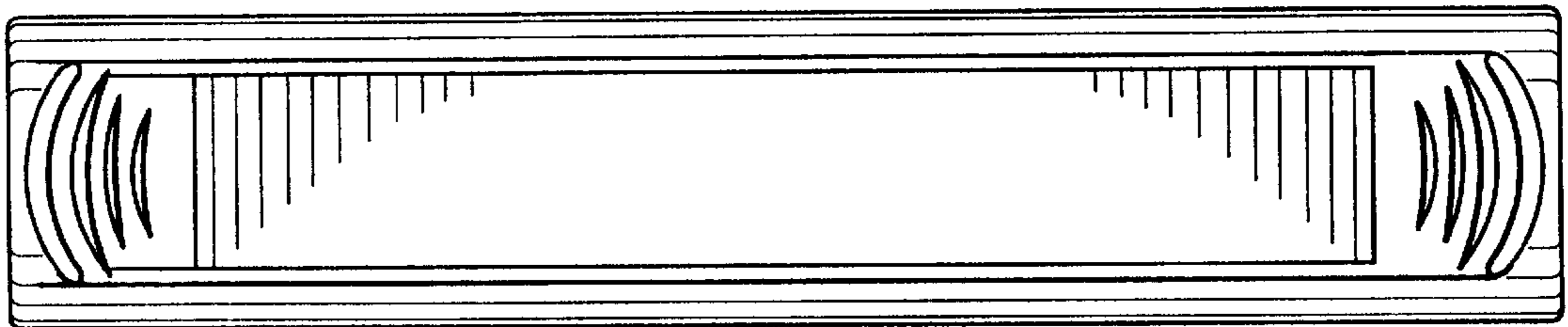


FIG. 10

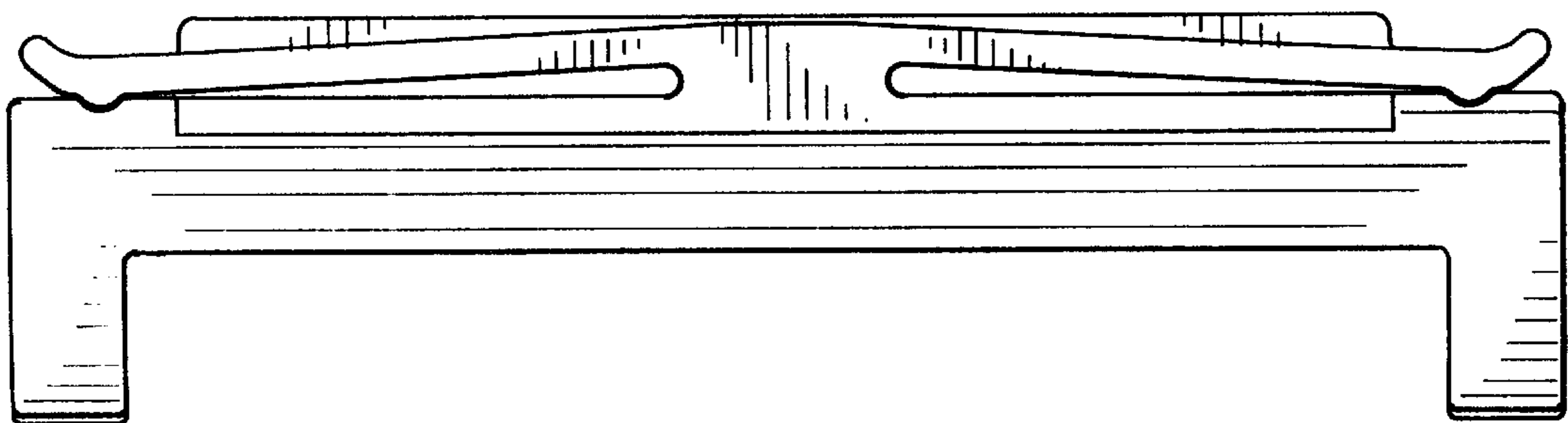


FIG. 11

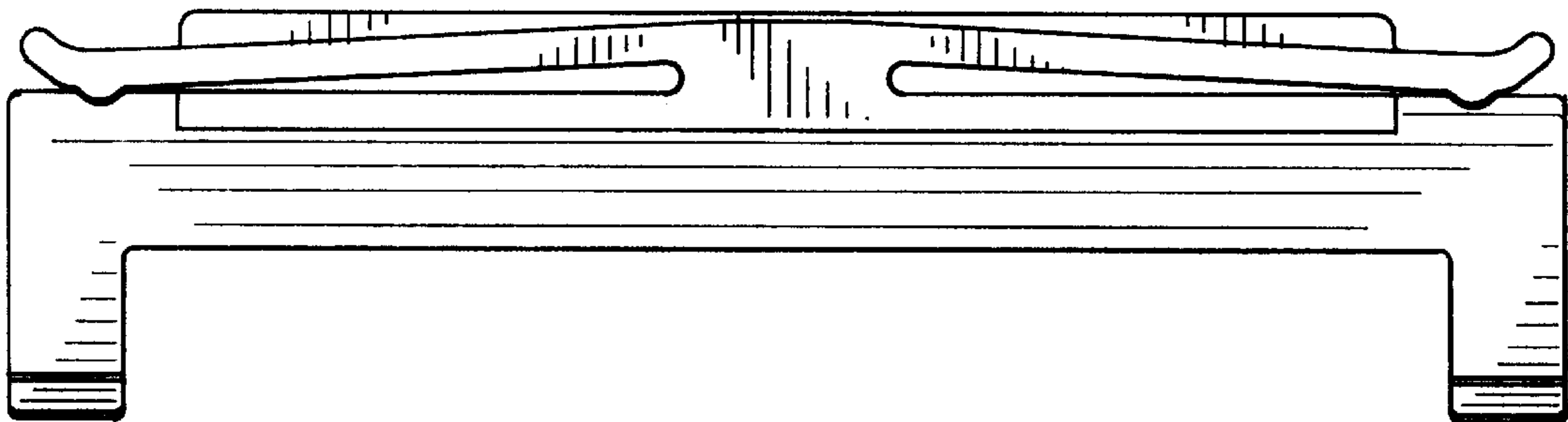


FIG. 12

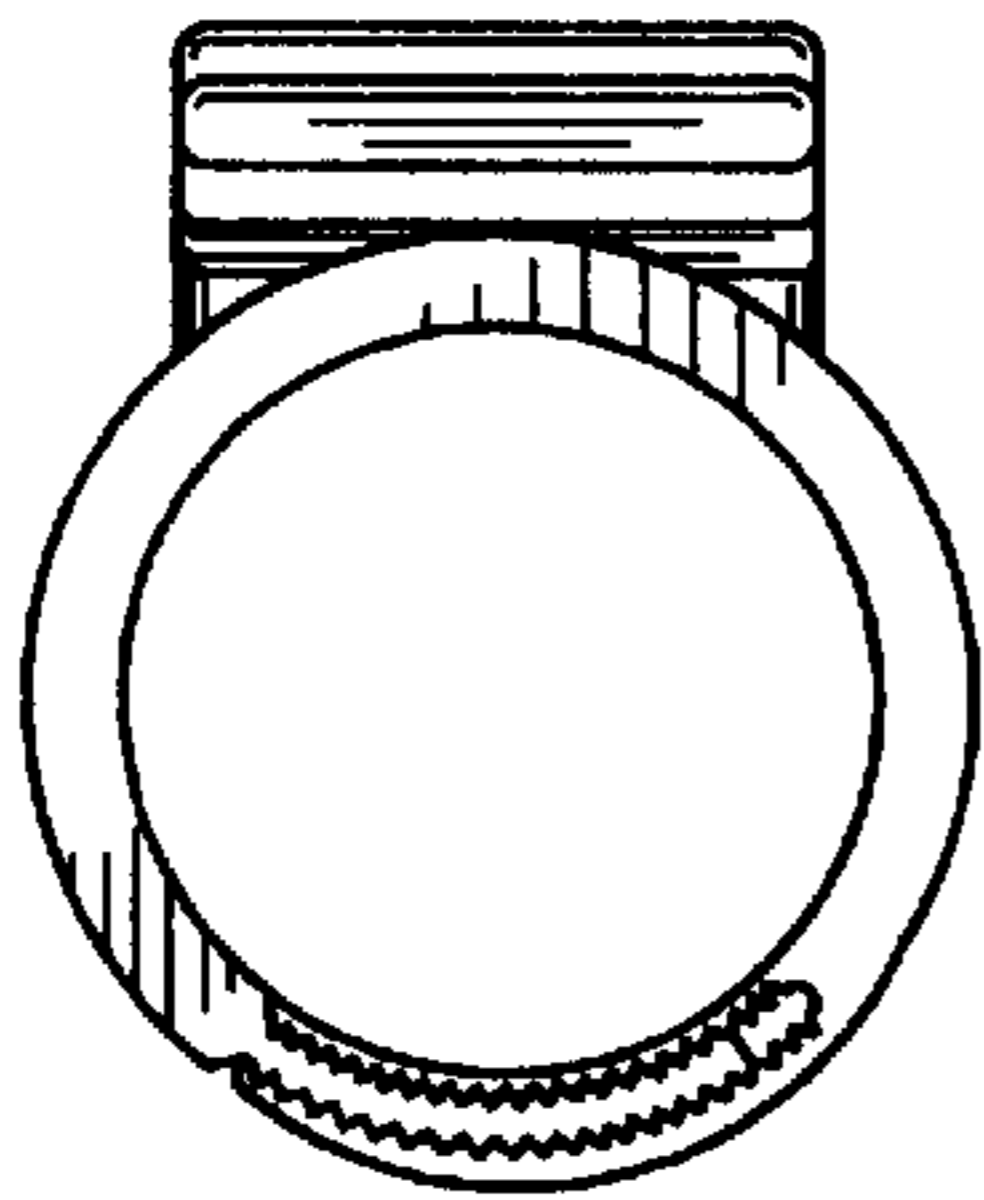


FIG. 13

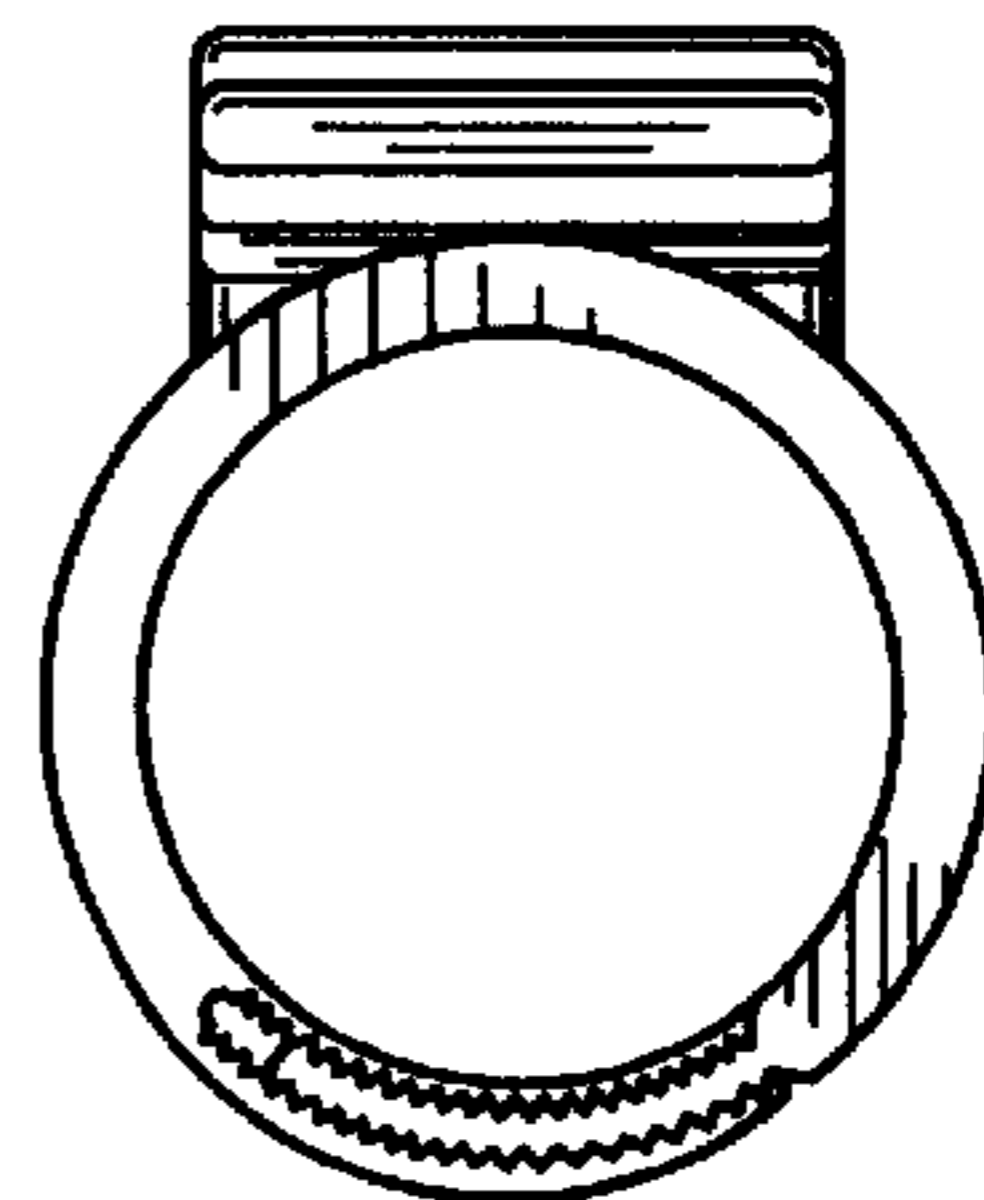


FIG. 14

