



US00D426928S

United States Patent [19] Pasin

[11] **Patent Number: Des. 426,928**

[45] **Date of Patent: ** Jun. 20, 2000**

[54] **UTILITY WAGON**

3,322,436	5/1967	Musichuk	280/87.01
4,930,831	6/1990	Valiga et al.	296/26
5,261,681	11/1993	Goldmeier	280/87.01

[75] Inventor: **Mario A. Pasin**, Hinsdale, Ill.

[73] Assignee: **Radio Flyer, Inc.**, Chicago, Ill.

[**] Term: **14 Years**

Primary Examiner—Kay H. Chin
Attorney, Agent, or Firm—Piper Marbury Rudnick & Wolfe

[21] Appl. No.: **29/102,106**

[57] **CLAIM**

The ornamental design for a utility wagon, as shown.

[22] Filed: **Mar. 17, 1999**

DESCRIPTION

[51] **LOC (7) Cl.** **12-02**

FIG. 1 is a perspective view of a utility wagon embodying the new design;

[52] **U.S. Cl.** **D34/19; D21/534**

FIG. 2 is a front elevational view of the wagon;

[58] **Field of Search** D34/12-27; D21/533-536;
280/87.01, 47.34, 47.35; 296/26

FIG. 3 is a side elevational view of the wagon;

FIG. 4 is a rear elevational view of the wagon;

FIG. 5 is a top plan view of the wagon; and,

FIG. 6 is a bottom plan view of the wagon.

[56] **References Cited**

U.S. PATENT DOCUMENTS

D. 296,225	6/1988	Armstrong	D21/534
3,236,539	2/1966	Ketterer	280/87.01

1 Claim, 6 Drawing Sheets

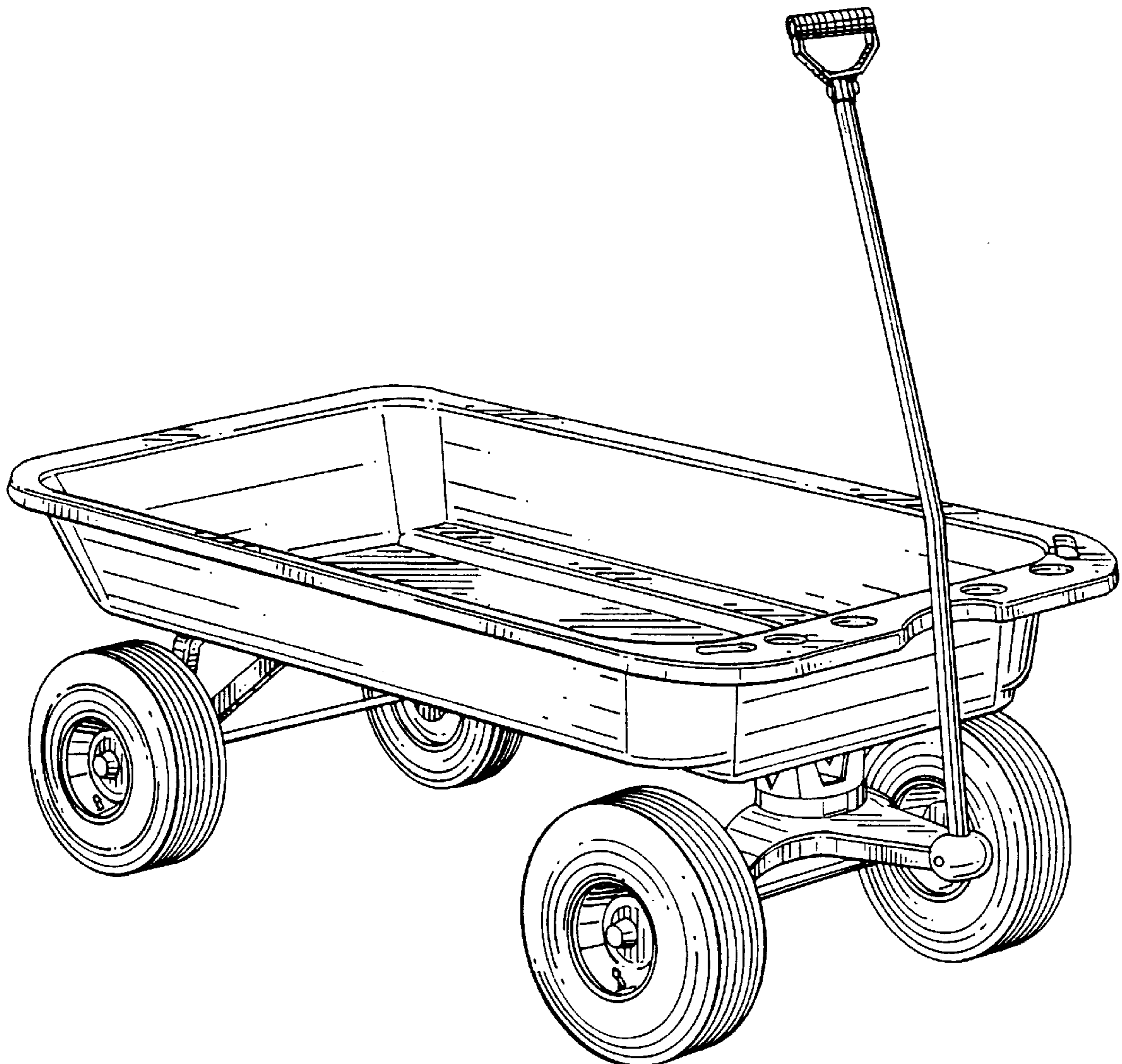


FIG. 1

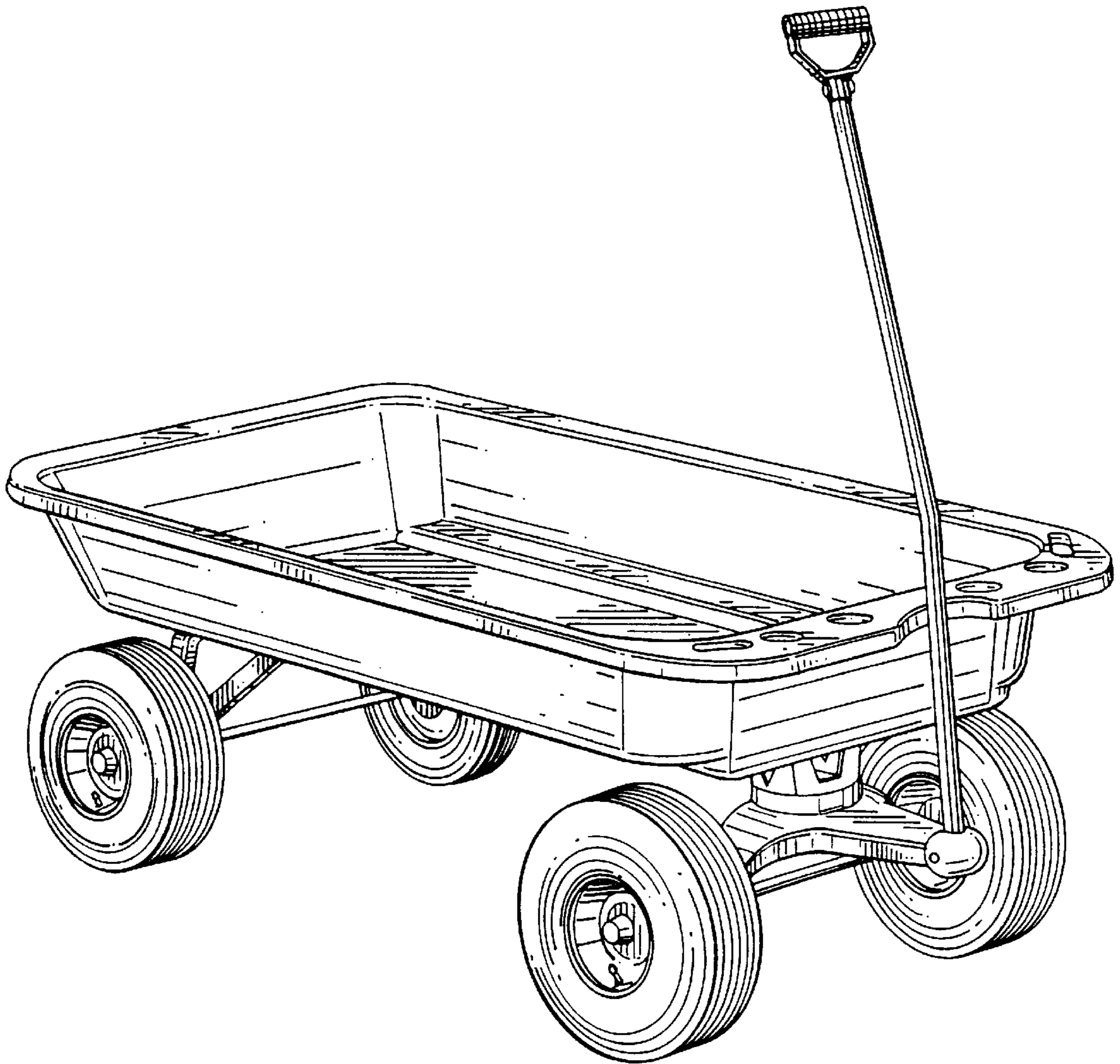
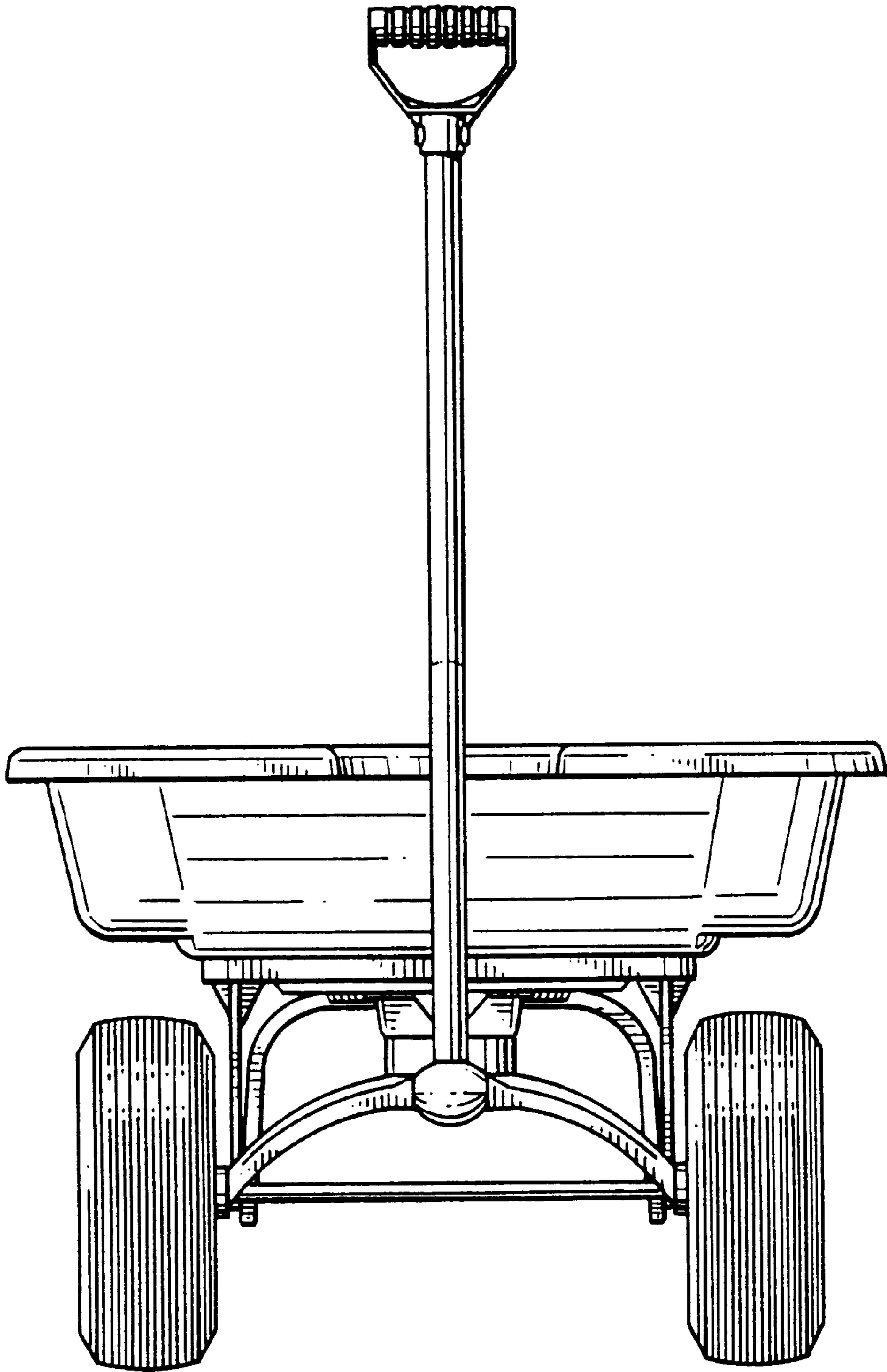


FIG. 2



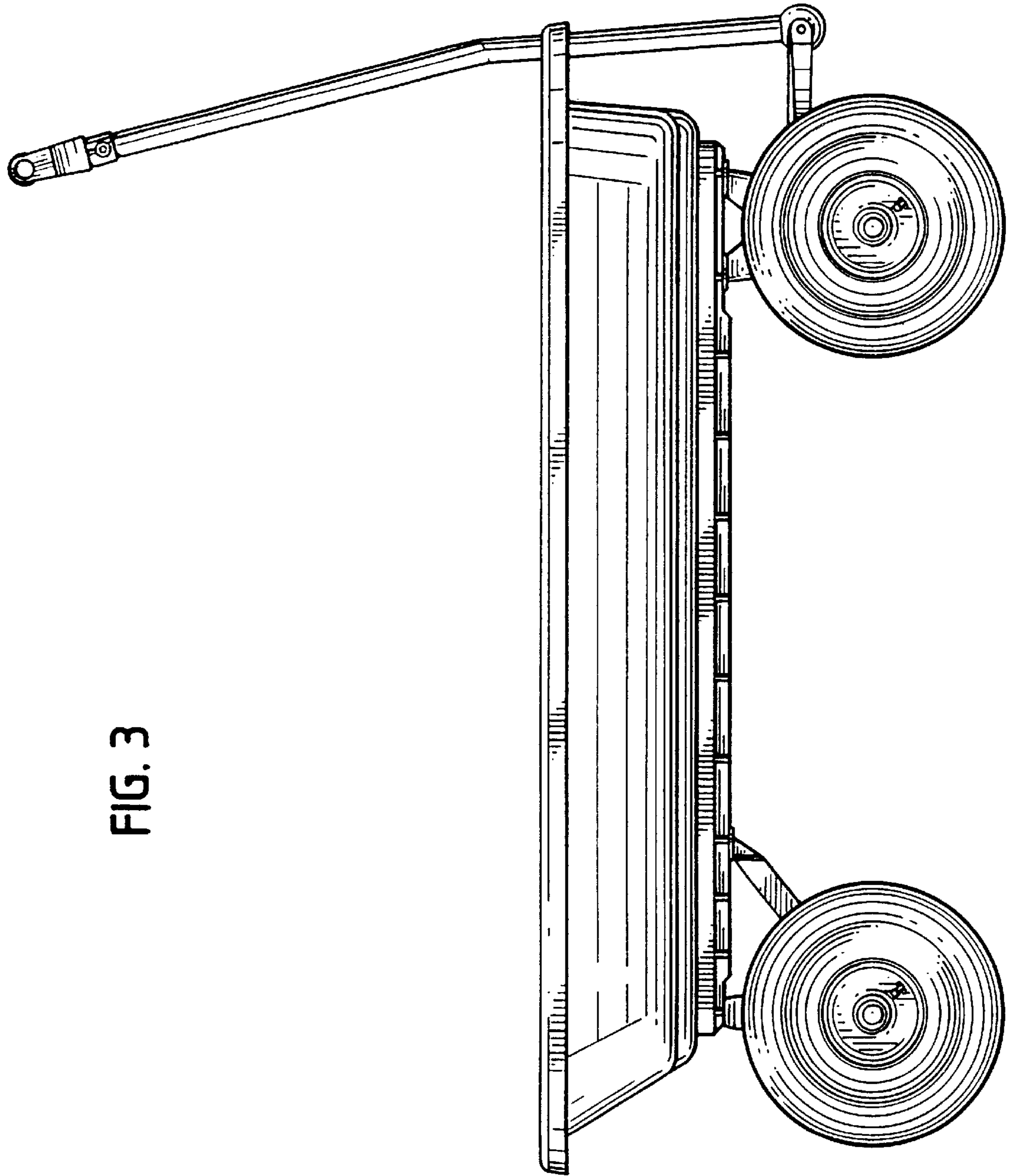


FIG. 3

FIG. 4

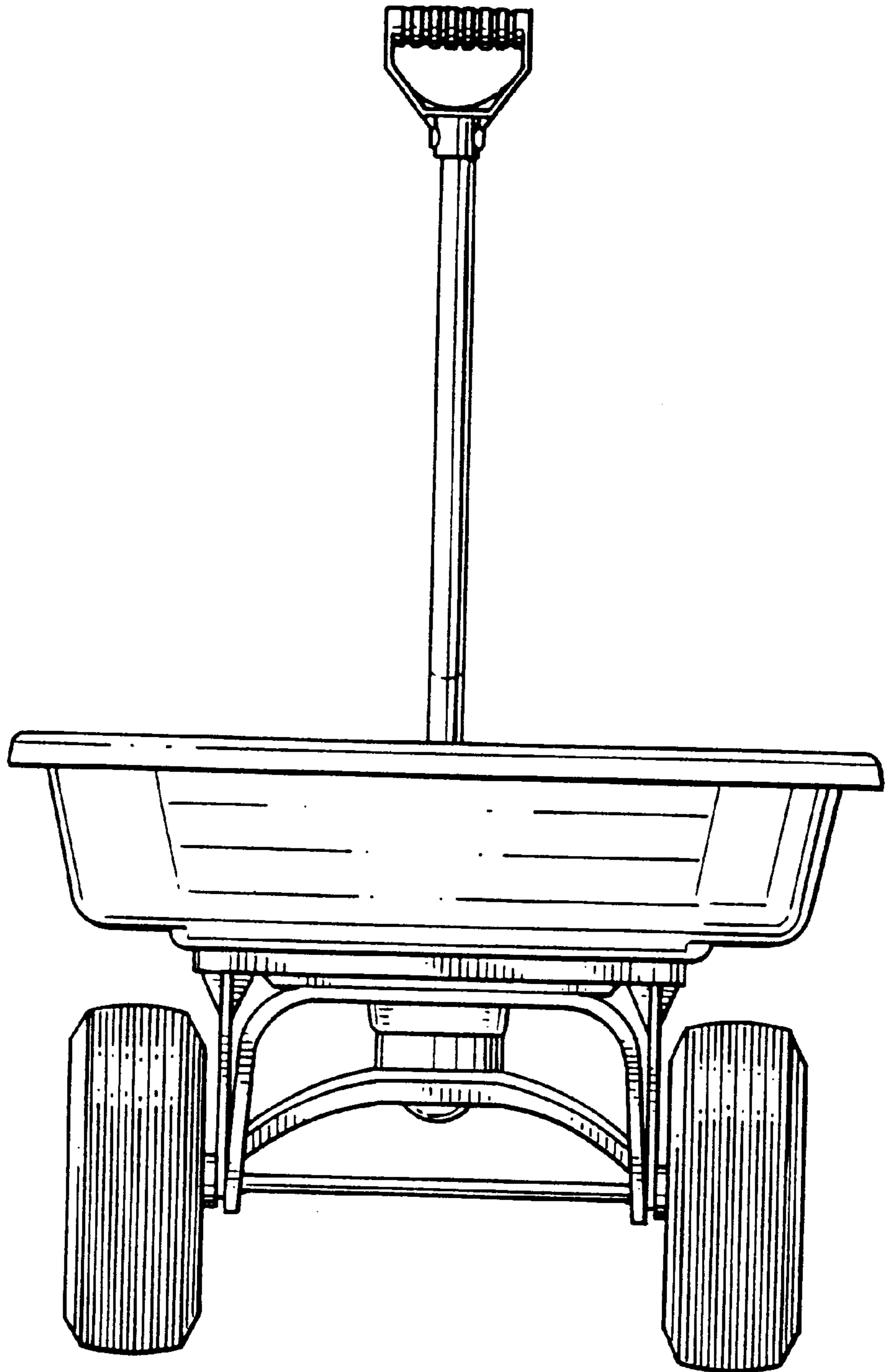


FIG. 5

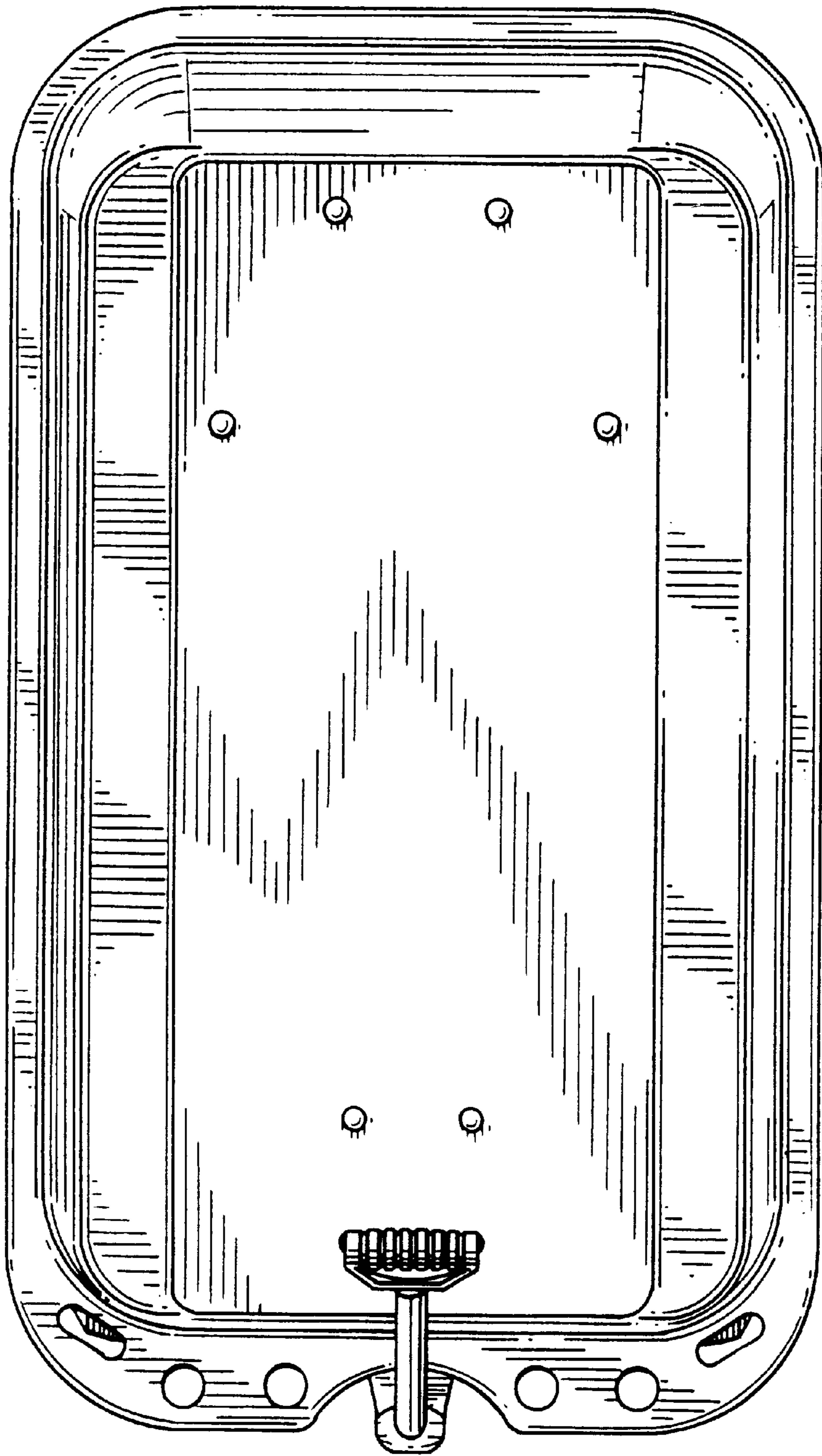


FIG. 6

