



US00D426925S

United States Patent [19]

[11] **Patent Number: Des. 426,925**

Axhamre

[45] **Date of Patent: ** Jun. 20, 2000**

[54] PAINT RECEPTACLE HAVING REMOVABLE INSERTS

DESCRIPTION

[76] Inventor: **Lennart Axhamre**, Box 205, S-430 30 Frillesås, Sweden

FIG. 1 is a perspective view of a paint receptacle showing my new design;

[**] Term: **14 Years**

FIG. 2 is a perspective view of the paint receptacle of FIG. 1 with its cover removed, and revealing a set of removable inserts;

[21] Appl. No.: **29/094,583**

FIG. 3 is a perspective view showing the removable inserts of FIG. 2;

[22] Filed: **Oct. 5, 1998**

FIG. 4 is a perspective view showing one of the removable inserts of FIG. 2;

[51] **LOC (7) Cl.** **07-07**

[52] **U.S. Cl.** **D32/53**

[58] **Field of Search** D32/53, 53.1, D32/54; 220/505, 528-9, 4.27, 23.87, 23.88

FIG. 5 is a perspective view showing the underside of the removable insert of FIG. 4;

[56] **References Cited**

U.S. PATENT DOCUMENTS

D. 171,578	3/1954	Brucker	D32/53
5,386,922	2/1995	Jordan	220/23.83
5,890,614	4/1999	Dancyger	220/528

FIG. 6 is a perspective view of the cover of FIG. 1;

FIG. 7 is a front elevation of the paint receptacle of FIG. 1;

FIG. 8 is a left side elevational view of the paint receptacle of FIG. 7;

Primary Examiner—Robin V. Taylor

Attorney, Agent, or Firm—Howson & Howson

FIG. 9 is a front elevational view of the paint receptacle of FIG. 7 with the cover removed;

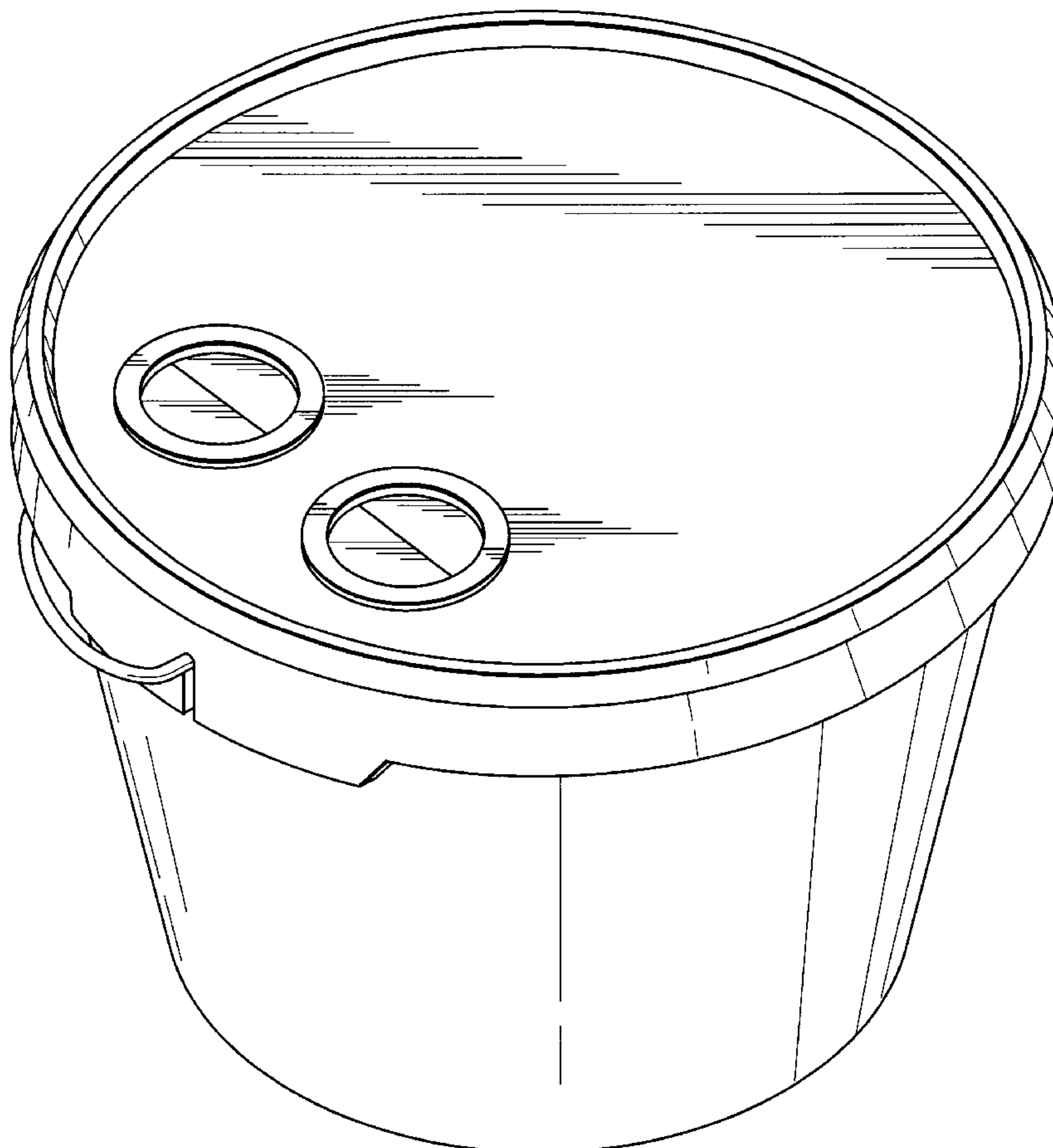
FIG. 10 is a front elevational view of the removable insert of FIG. 4; and,

[57] **CLAIM**

The ornamental design for a paint receptacle having removable inserts, as shown and described.

FIG. 11 is a left side elevational view of the removable insert of FIG. 4.

1 Claim, 8 Drawing Sheets



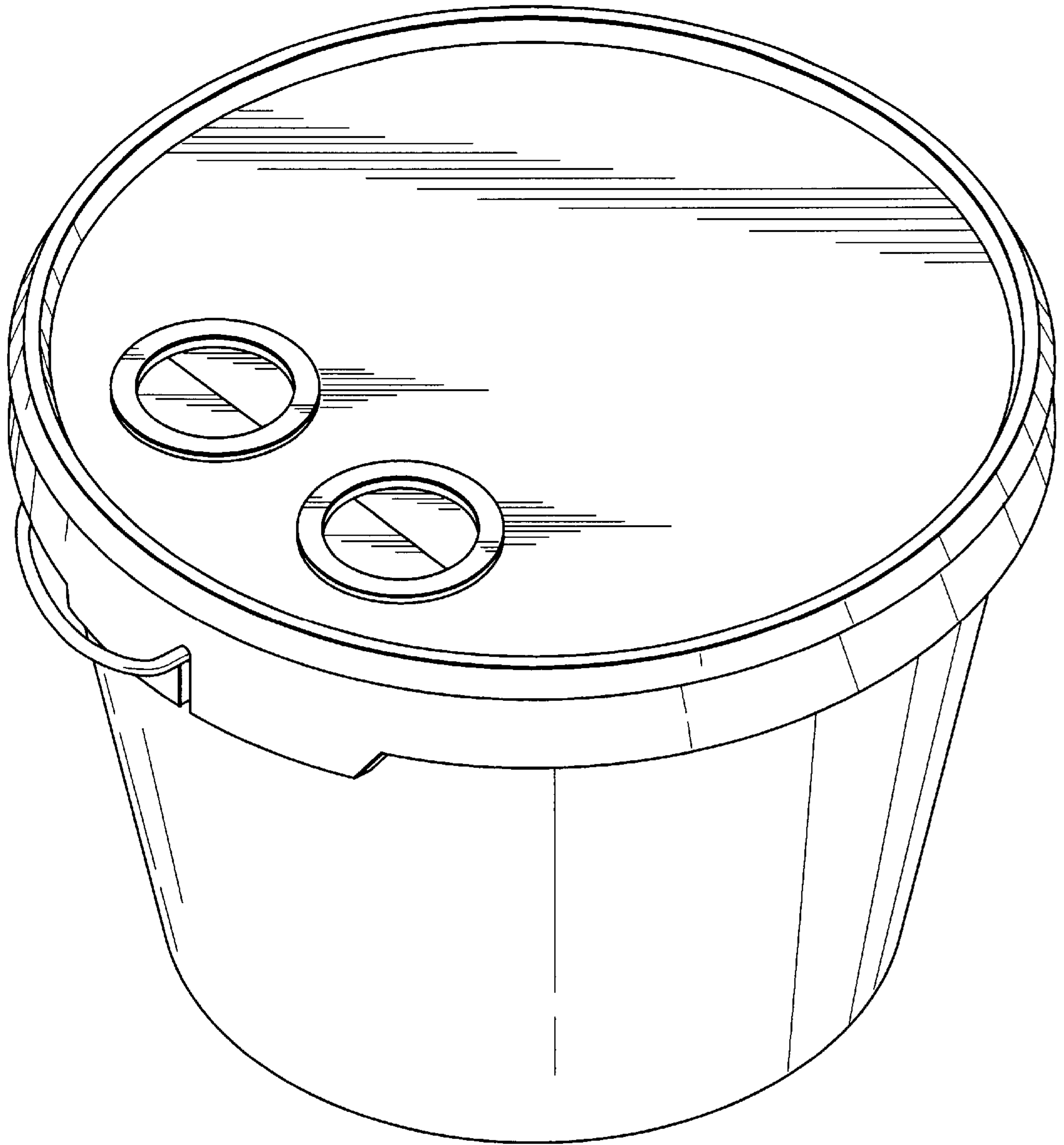


FIG. 1

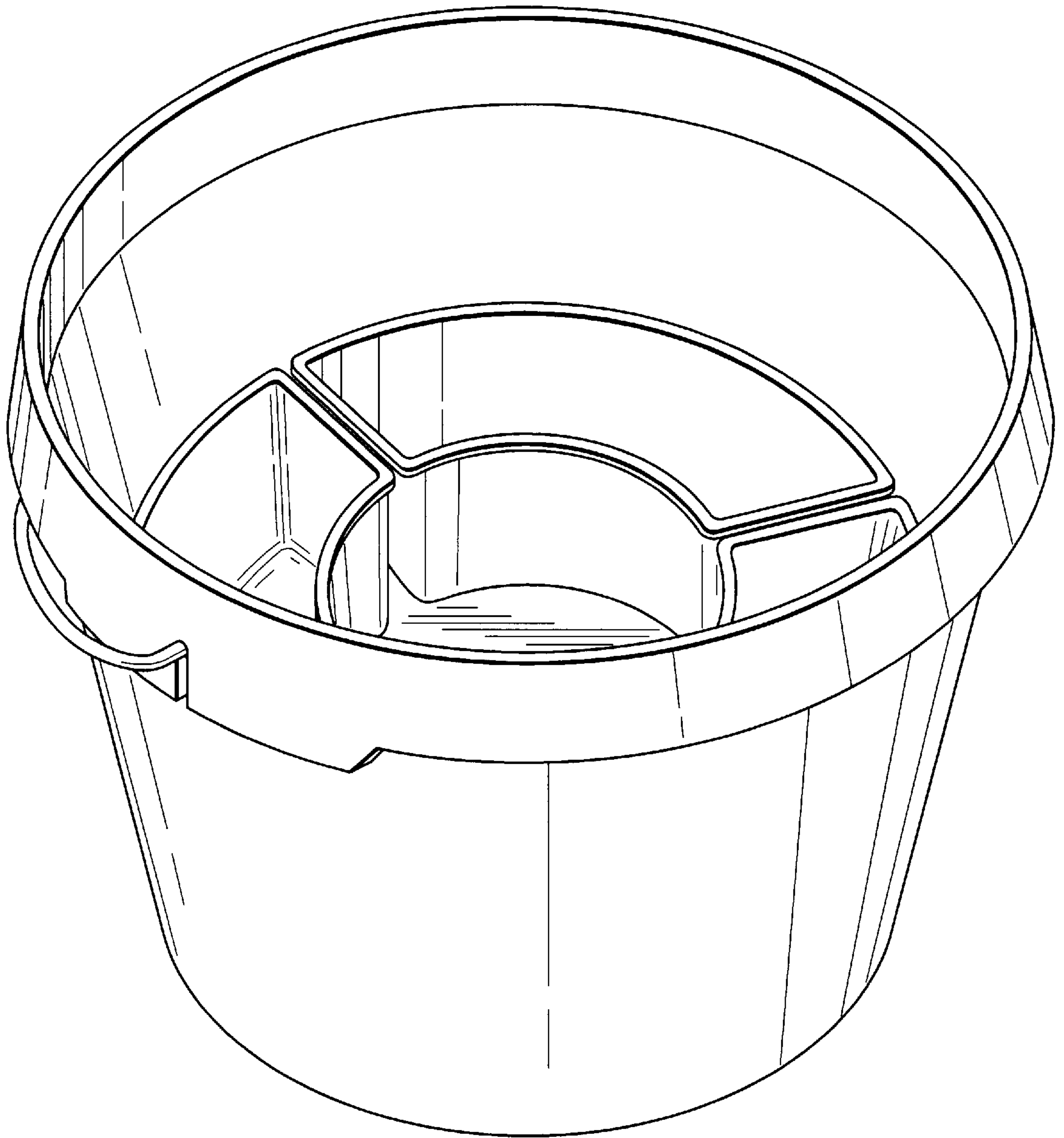


FIG.2

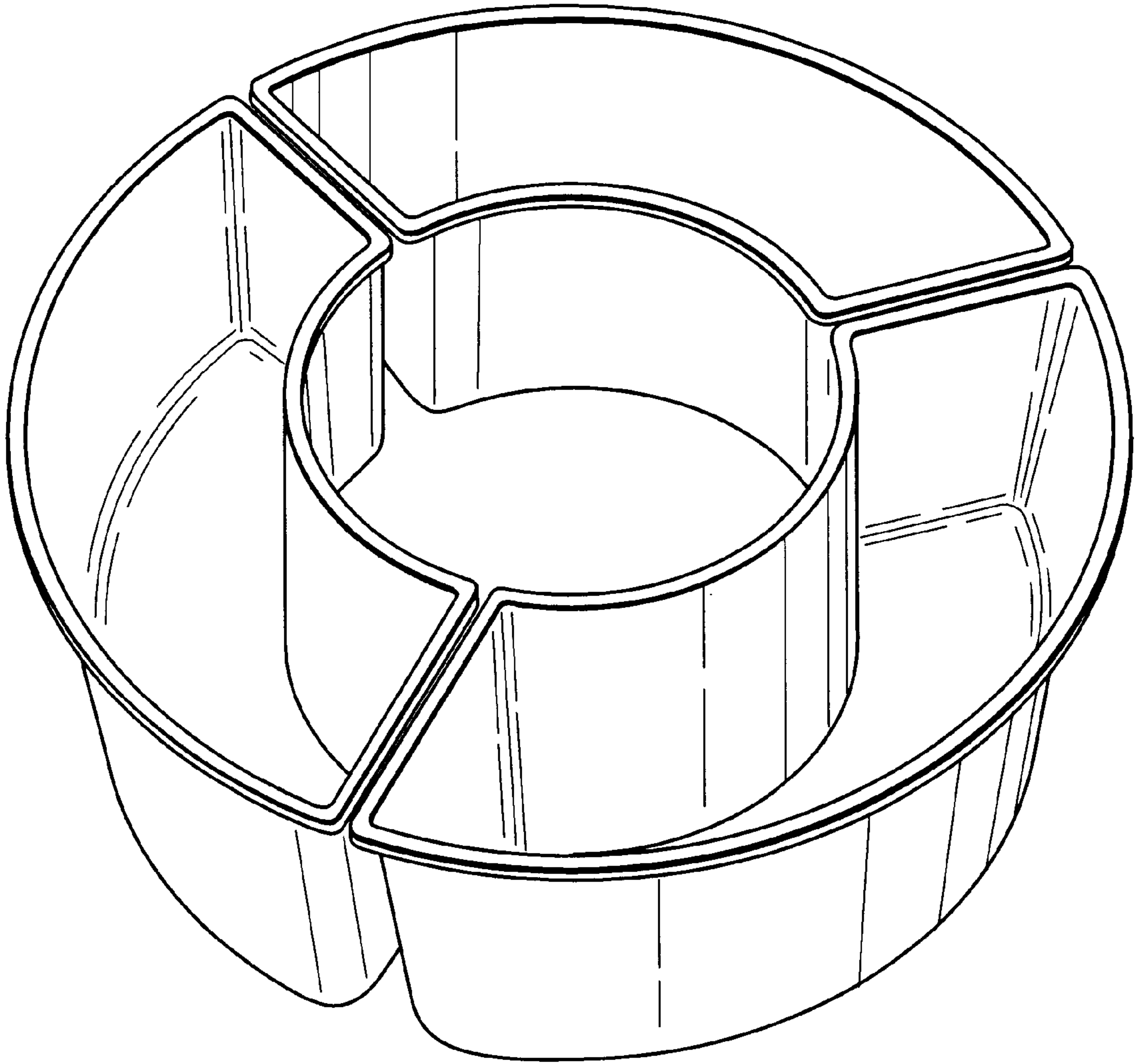


FIG. 3

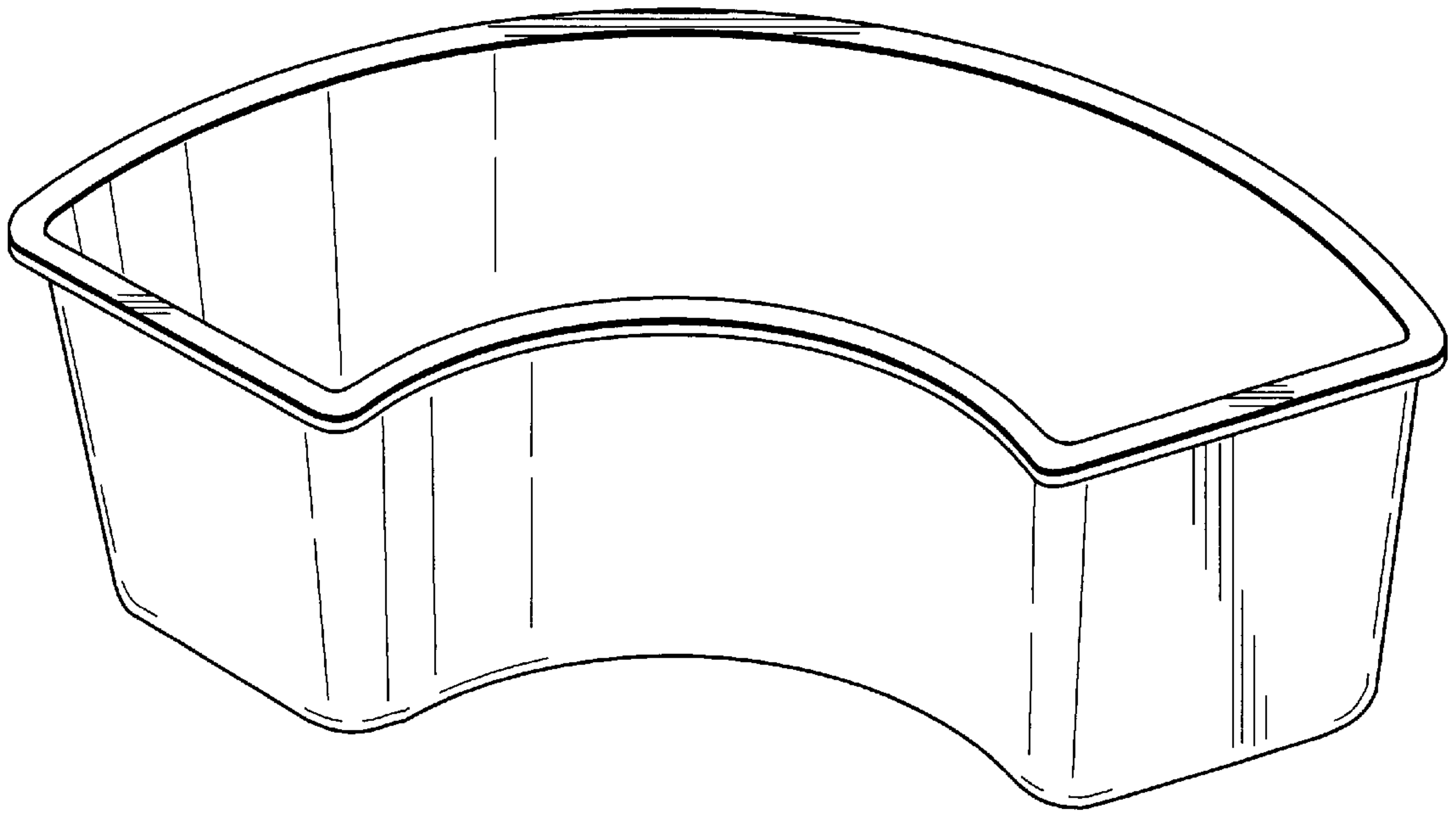


FIG.4

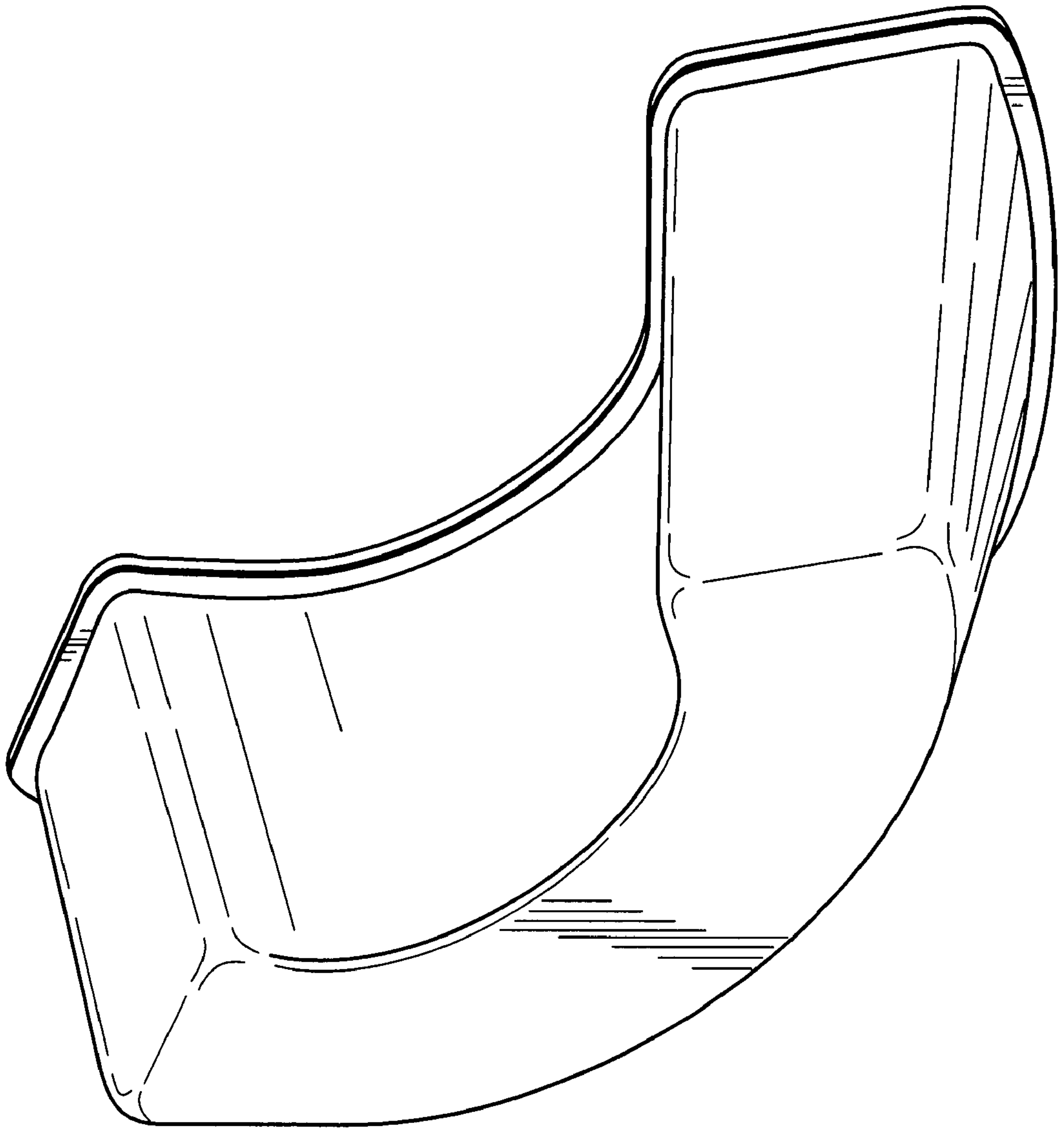


FIG. 5

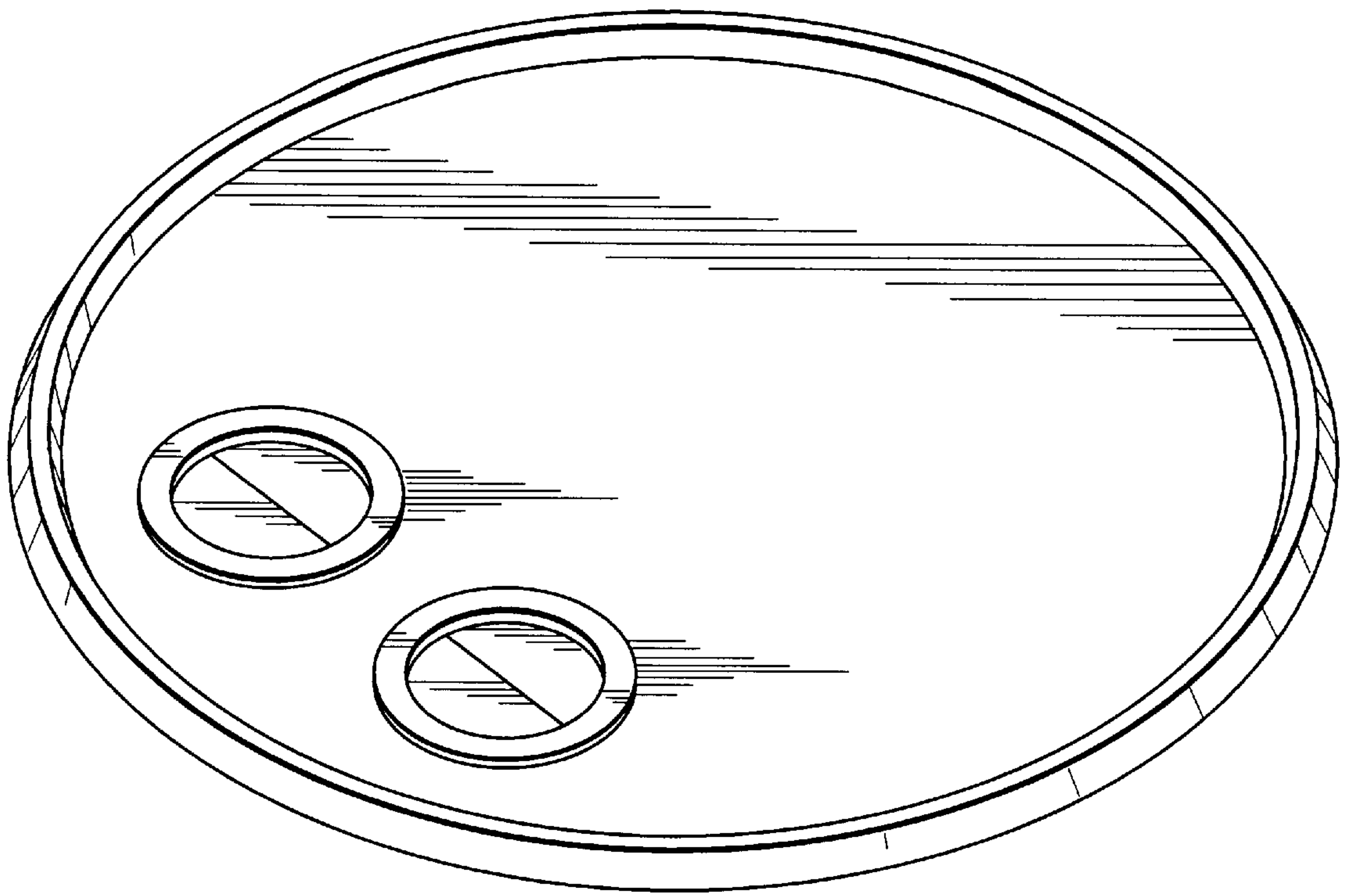


FIG. 6

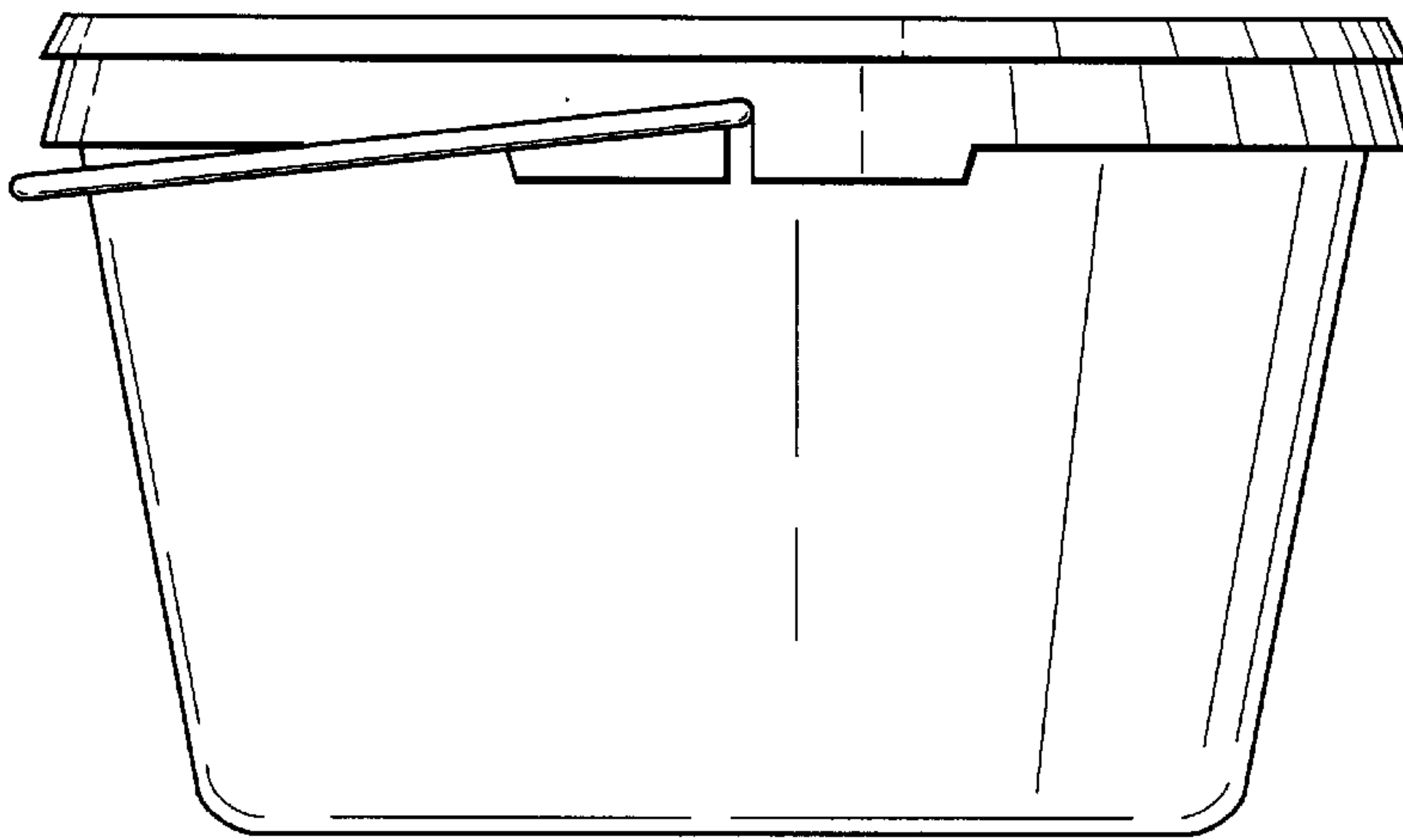


FIG. 7

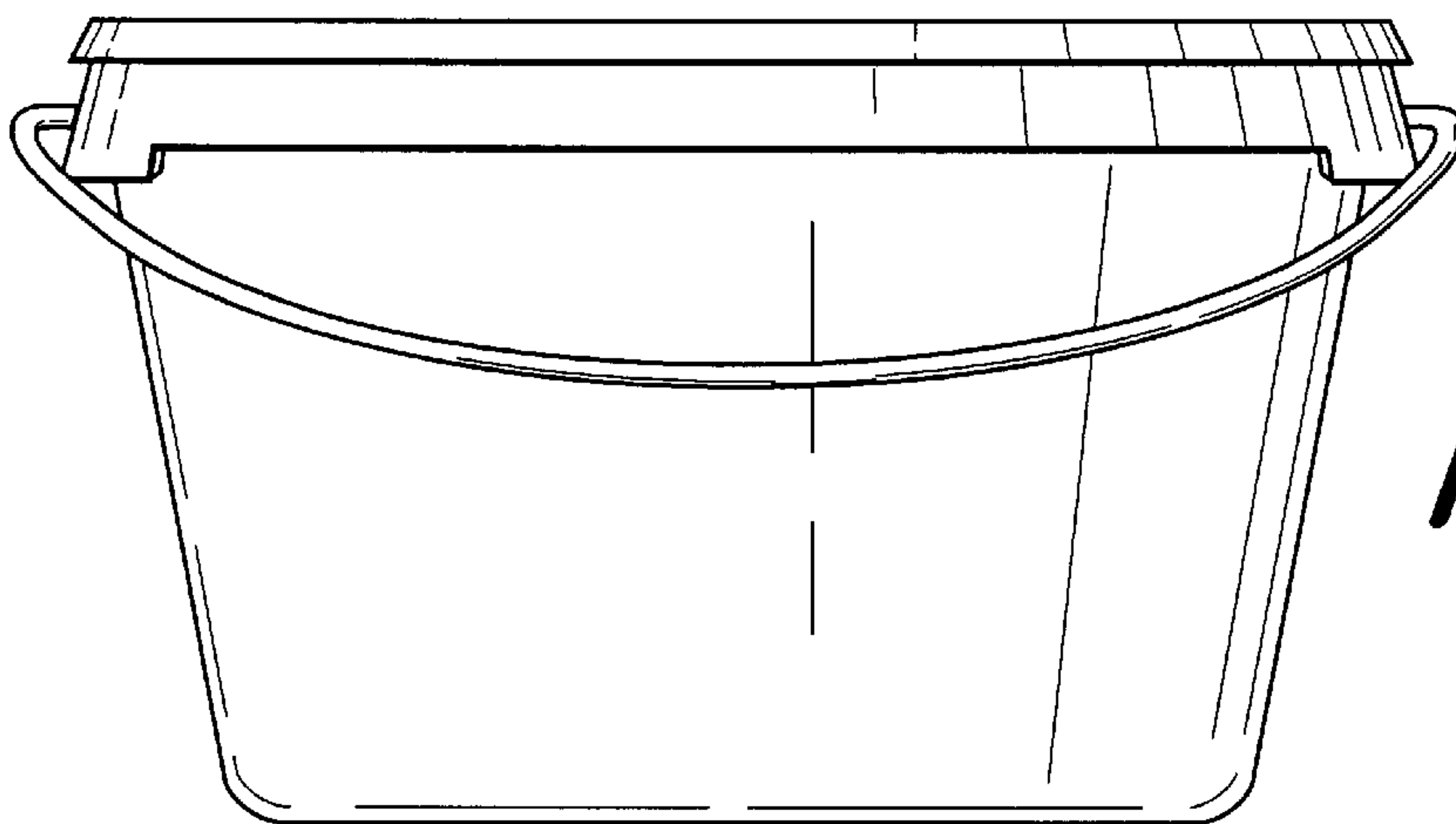


FIG. 8

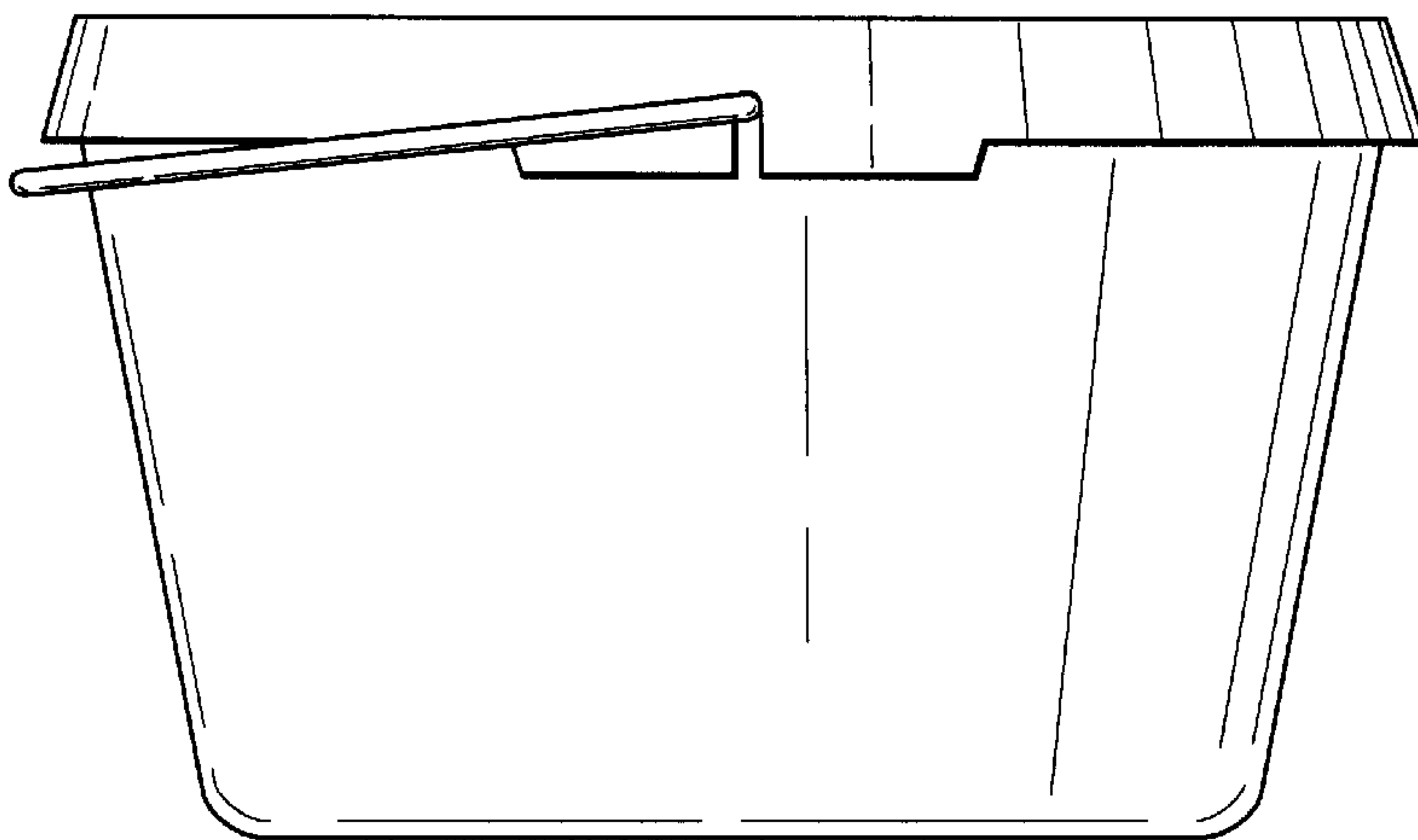


FIG. 9

FIG.10

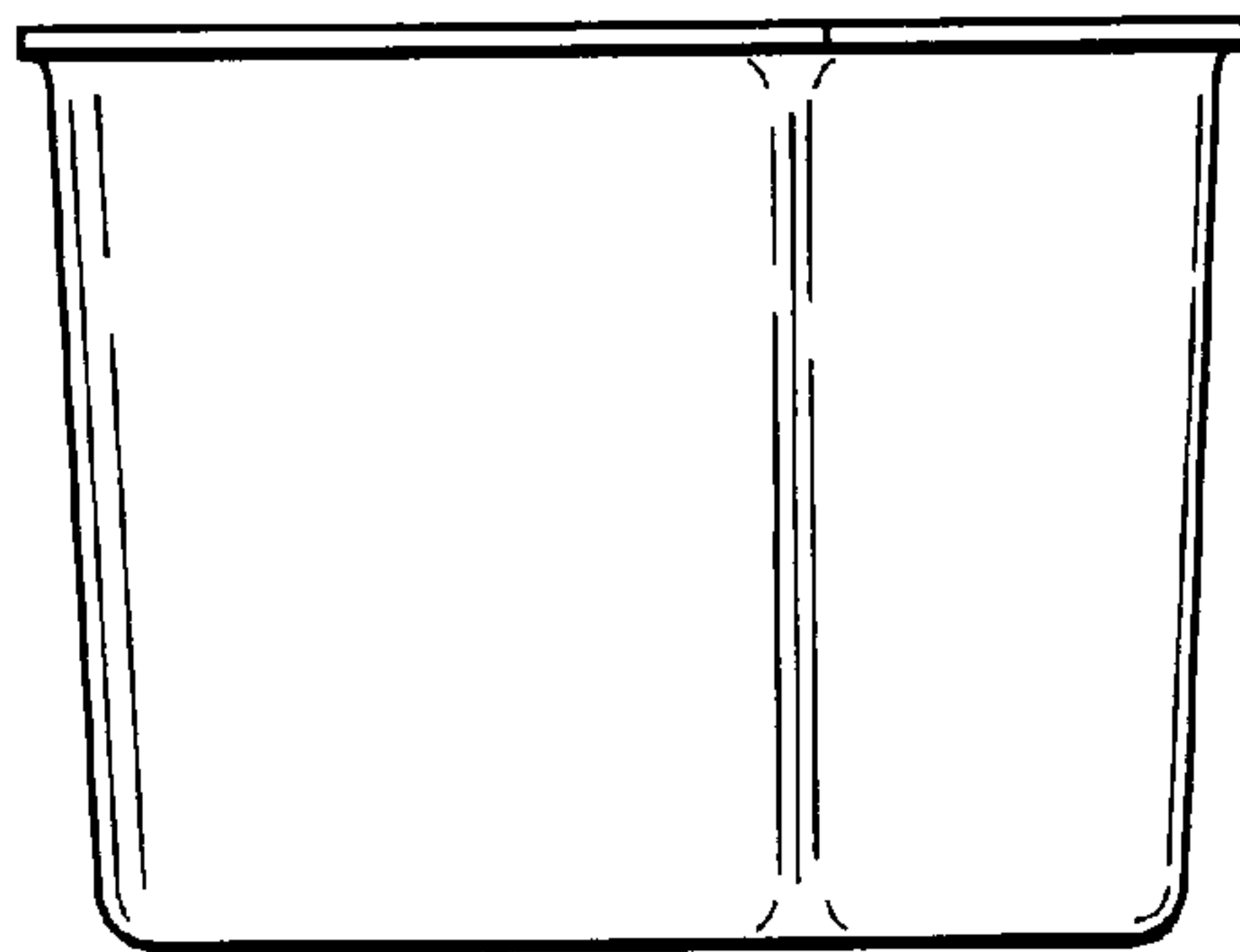
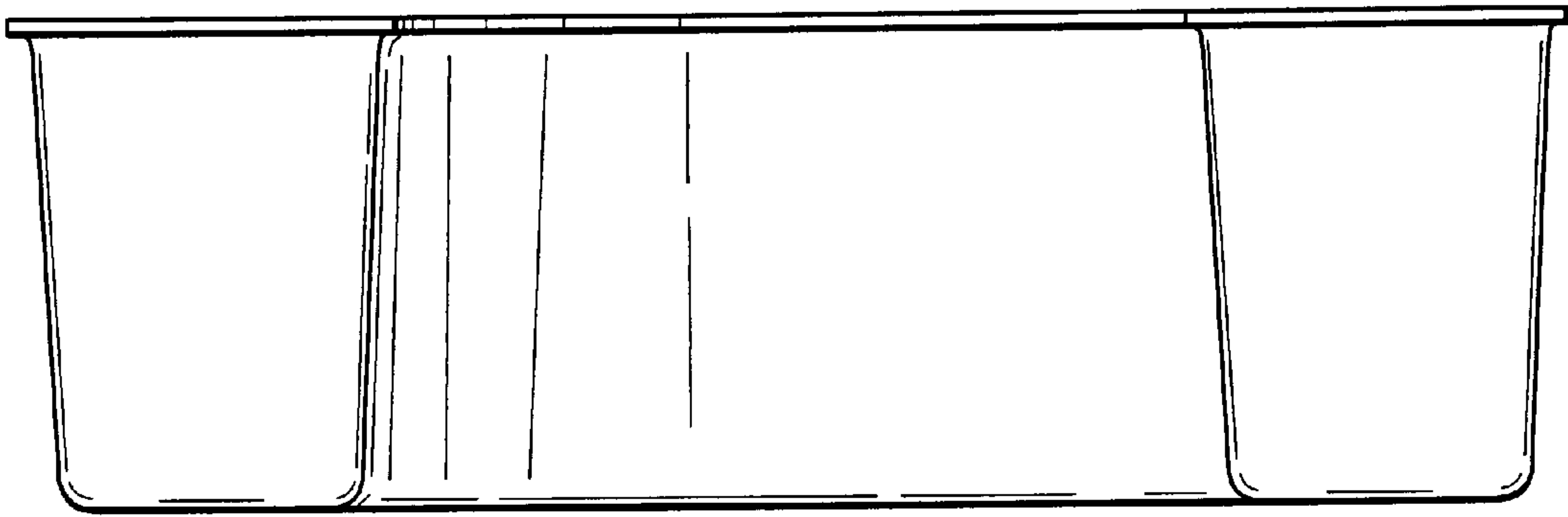


FIG.11