



US00D426921S

United States Patent [19] Renfrew

[11] **Patent Number: Des. 426,921**

[45] **Date of Patent: ** Jun. 20, 2000**

[54] **COSMETIC TRAY**

[76] **Inventor: Marquerite D. Renfrew, 70
Frenchtown Rd., No. 207, N.
Kingstown, R.I. 02852**

[**] **Term: 14 Years**

[21] **Appl. No.: 29/109,131**

[22] **Filed: Aug. 10, 1999**

[51] **LOC (7) Cl. 28-03**

[52] **U.S. Cl. D28/73**

[58] **Field of Search** D28/77, 73; D3/310,
D3/313; D7/500, 505, 550.1, 553.1, 553.2,
553.4, 553.5, 553.6, 553.7, 553.8, 555,
701; D9/347, 424; D19/75; 206/315.1,
370, 503, 505; 220/501, 555, 556

[56] **References Cited**

U.S. PATENT DOCUMENTS

D. 123,047	10/1940	Brooks	D28/774 X
D. 205,676	9/1966	Kirwan	D7/553.5
D. 271,932	12/1983	Mosley	D7/553.5
D. 280,290	8/1985	Bakus	D9/347
D. 320,909	10/1991	Szablau et al.	D7/701

D. 333,237	2/1993	Plaut	D7/553.2
D. 367,587	3/1996	Perlmutter et al.	D7/555
D. 390,702	2/1998	Lawton et al.	D3/310
D. 396,955	8/1998	Iversen et al.	D3/313

Primary Examiner—Paula A. Mortimer
Attorney, Agent, or Firm—Barlow, Josephs & Holmes, Ltd.

[57] **CLAIM**

The ornamental design for a cosmetic tray, as shown and described.

DESCRIPTION

FIG. 1 is a perspective view of a cosmetic tray showing my new design; the broken line showing of a cosmetic bottle is for illustrative purposes only and forms no part of the claimed design;

FIG. 2 is a top view thereof; the broken line showing an electrical cord is for illustrative purposes only and forms no part of the claimed design;

FIG. 3 is a bottom view thereof;

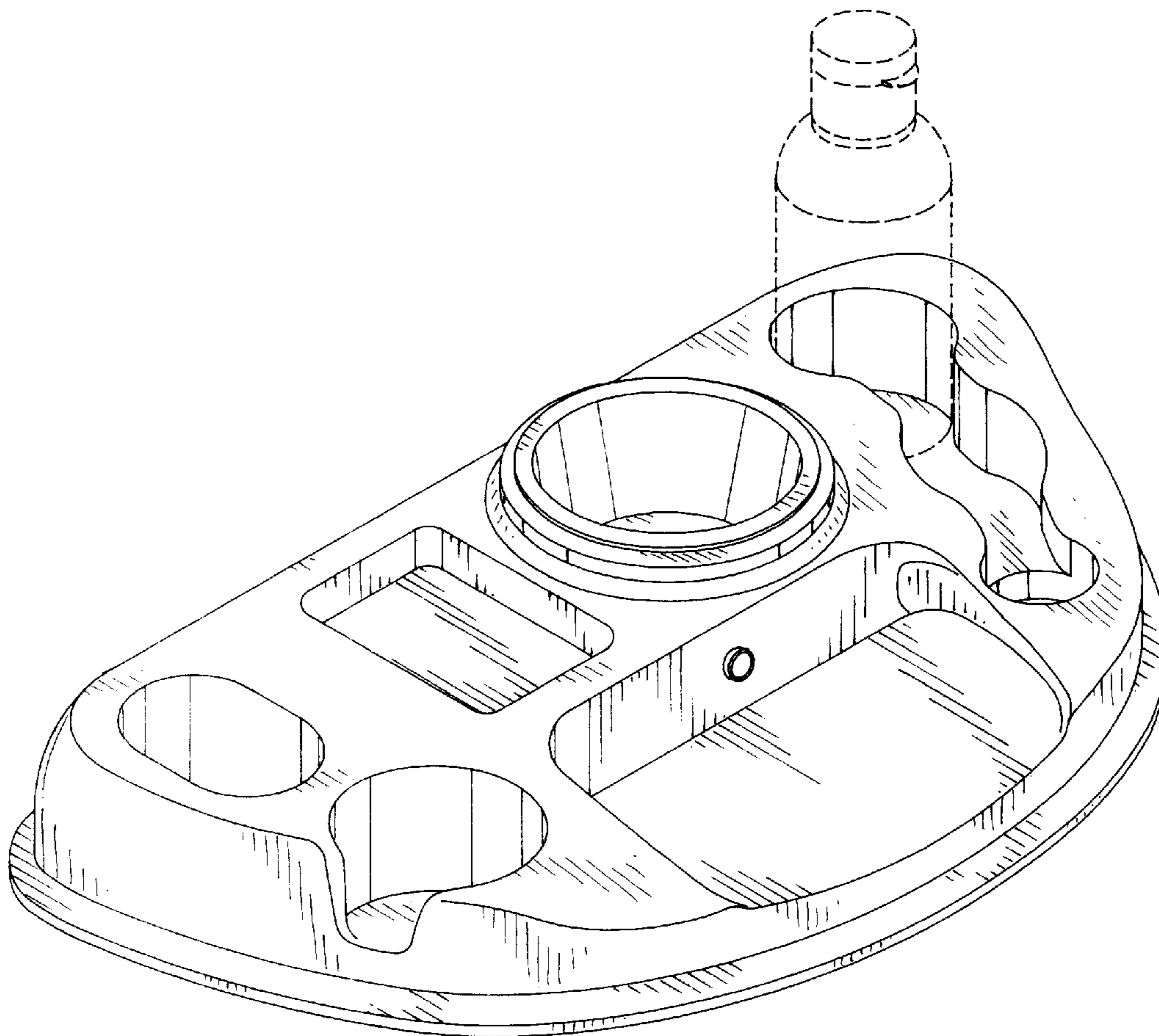
FIG. 4 is a front elevational view thereof;

FIG. 5 is a rear elevational view thereof;

FIG. 6 is a left side elevational view thereof; and,

FIG. 7 is a right side elevational view thereof.

1 Claim, 3 Drawing Sheets



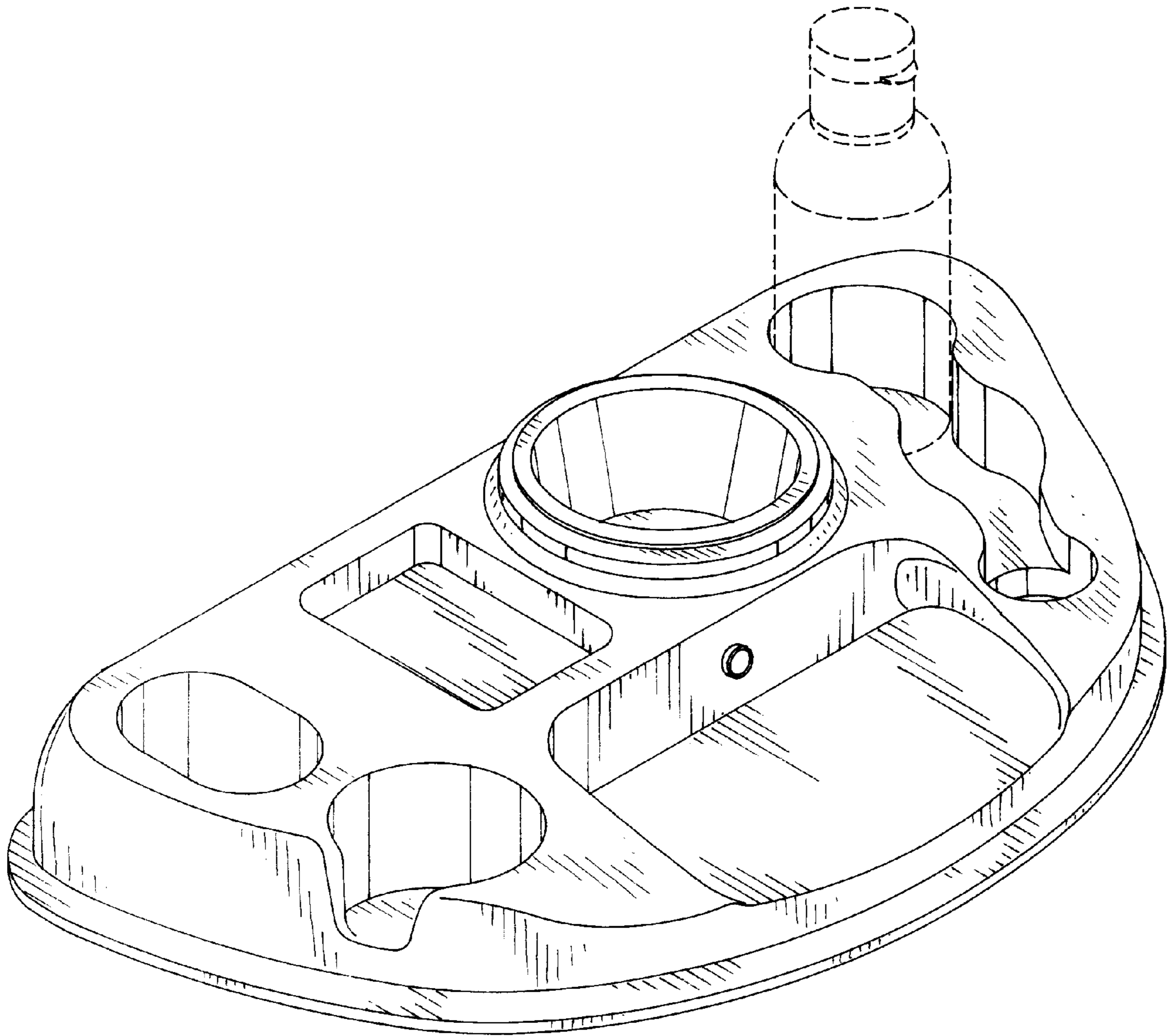


FIG. 1

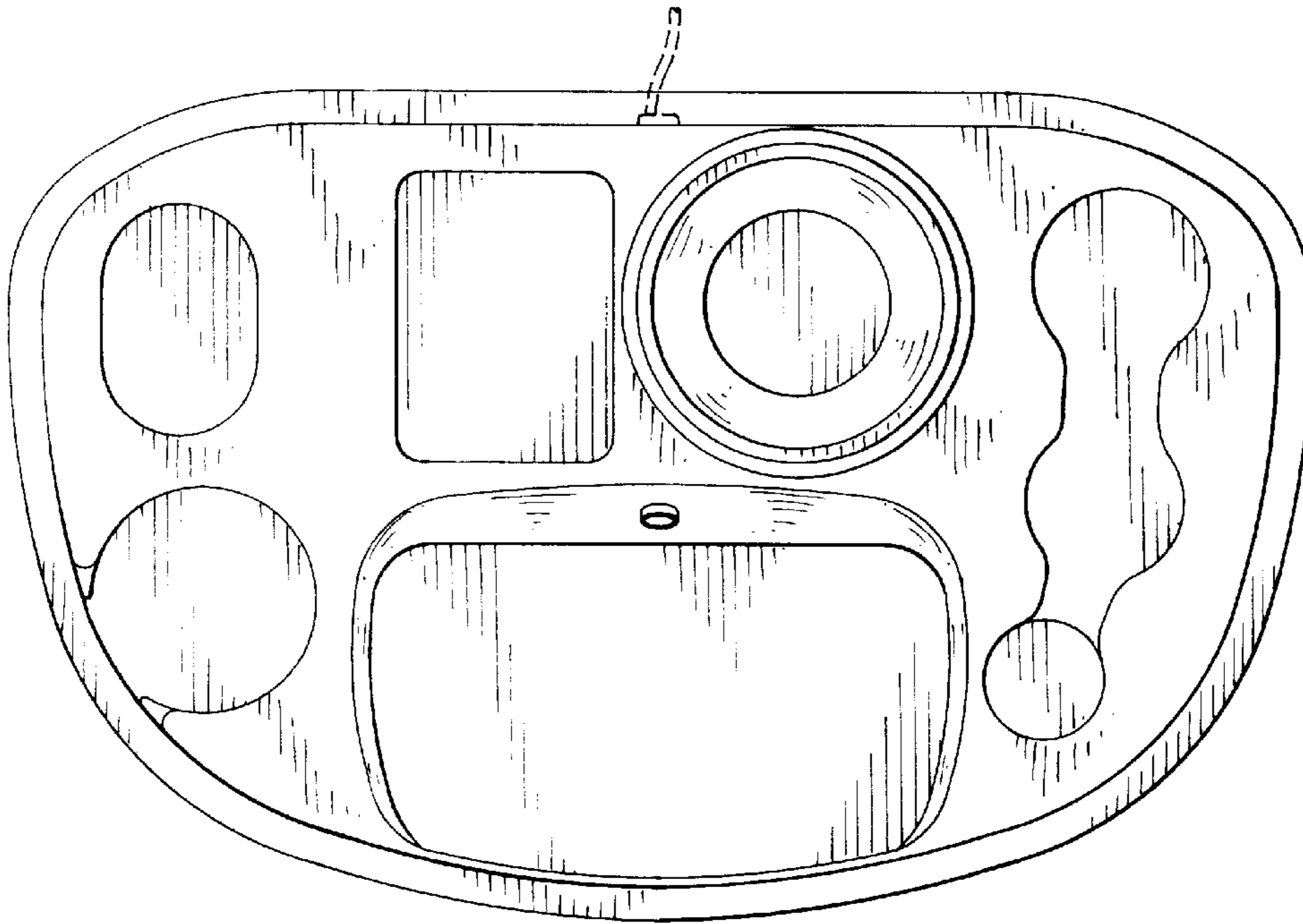


FIG. 2

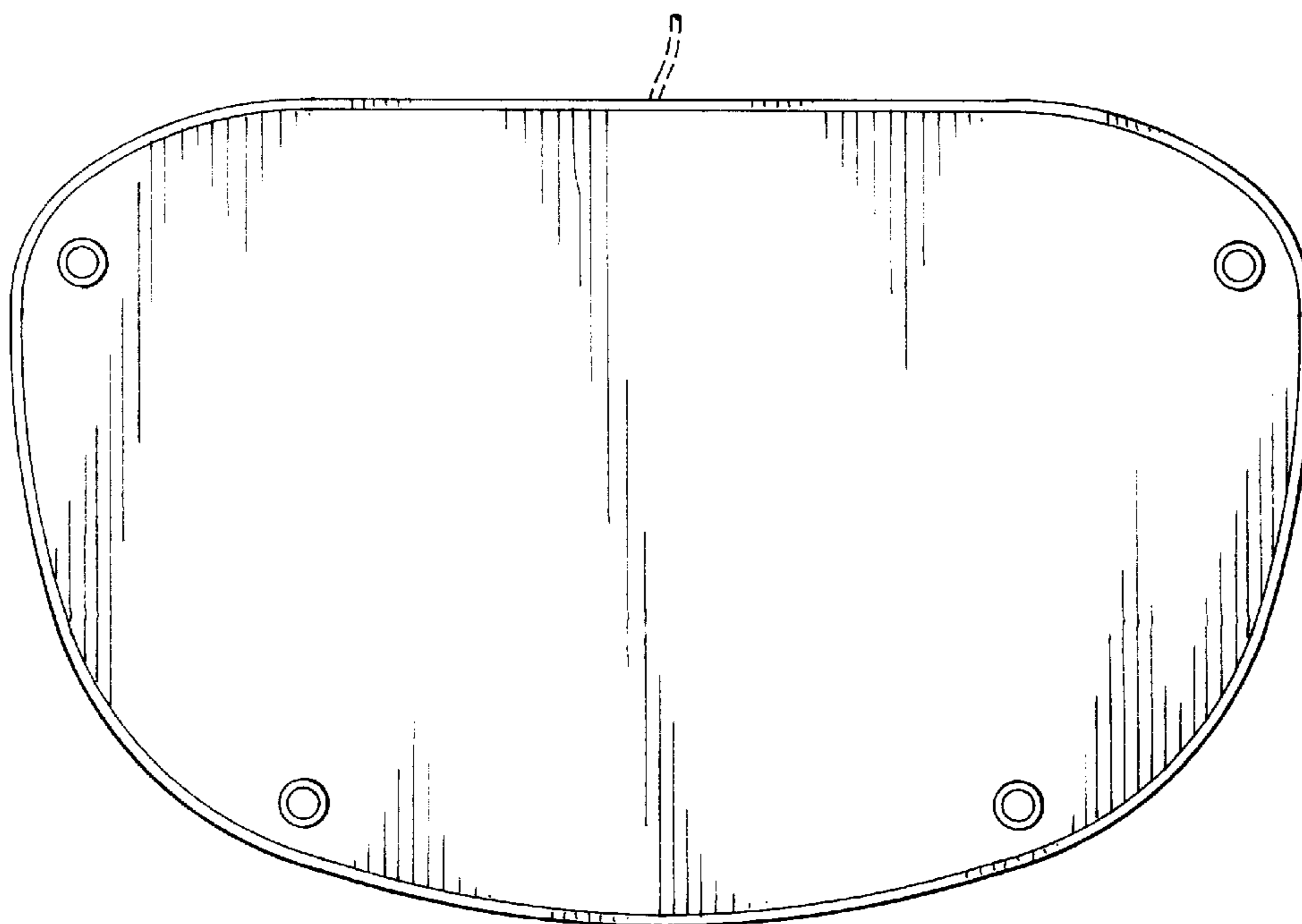


FIG. 3

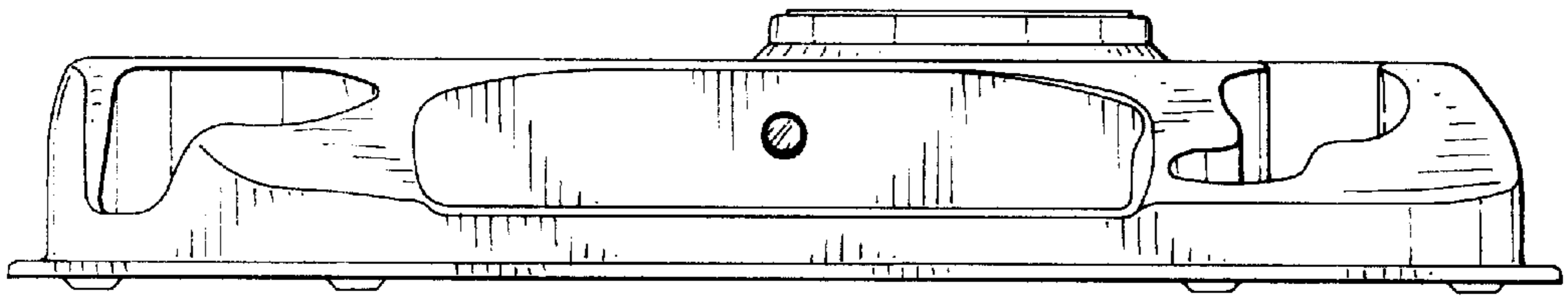


FIG. 4

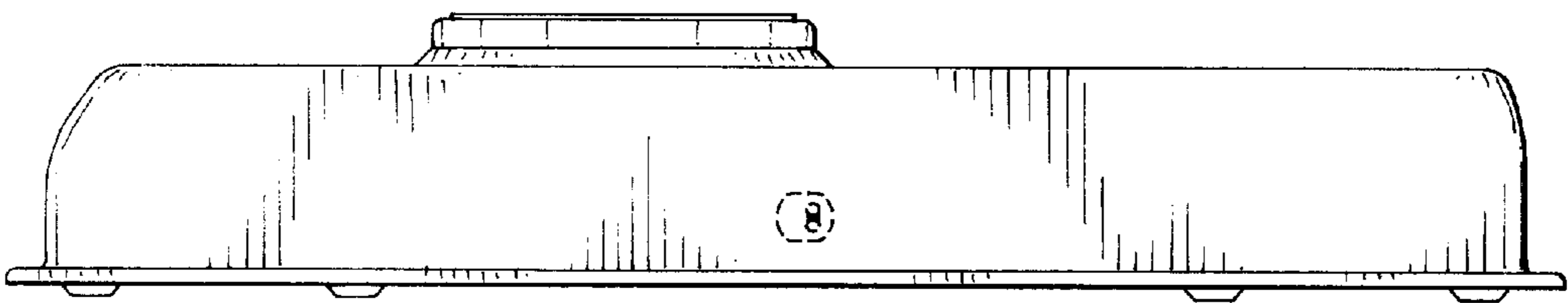


FIG. 5

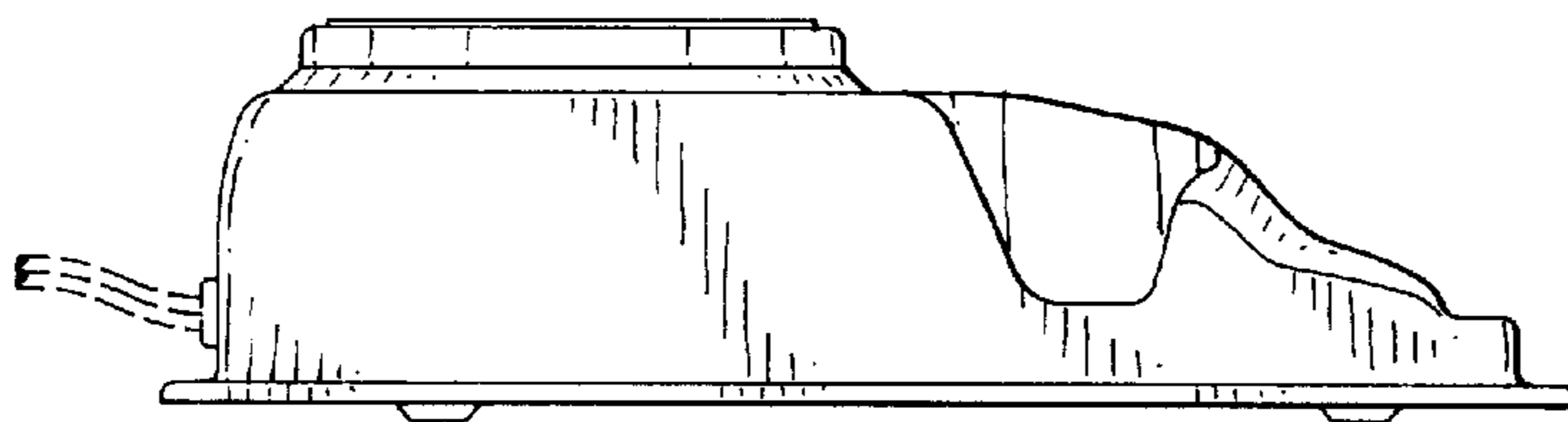


FIG. 6

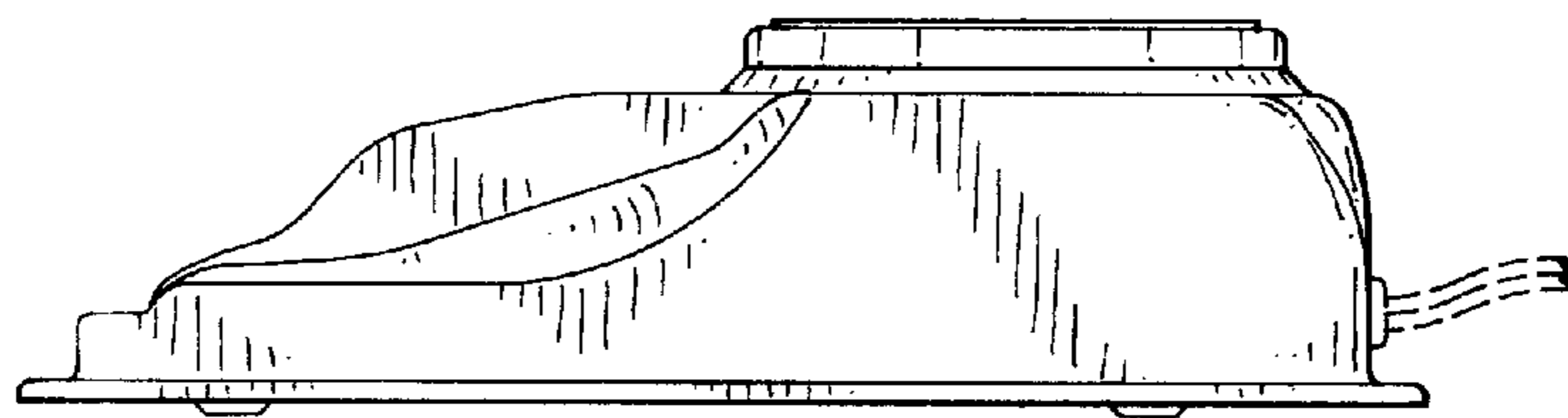


FIG. 7