



US00D426920S

United States Patent [19]
Georgescu

[11] **Patent Number: Des. 426,920**

[45] **Date of Patent: ** Jun. 20, 2000**

[54] **CALLUS REMOVER**

[76] Inventor: **Marianna Georgescu**, 1560 Monterey Cir., St. Petersburg, Fla. 33704

[**] Term: **14 Years**

[21] Appl. No.: **29/111,201**

[22] Filed: **Sep. 22, 1999**

[51] **LOC (7) Cl.** **28-03**

[52] **U.S. Cl.** **D28/59; D24/147**

[58] **Field of Search** D28/59, 56, 57;
D24/147; 132/73, 76.4; 606/131

[56] **References Cited**

U.S. PATENT DOCUMENTS

132,468	10/1872	Jacobsohn	132/73
D. 186,752	11/1959	Dean	D28/59
D. 276,276	11/1984	Bankier	D28/59
D. 301,070	5/1989	Lallerstadt	D28/59

D. 369,658	5/1996	Holt	D28/59 X
D. 412,764	8/1999	Odbout	D28/59
3,196,885	7/1965	Emerson	132/76.4

Primary Examiner—Dominic Simone
Attorney, Agent, or Firm—Dennis G. LaPointe; Mason & Associates, P.A.

[57] **CLAIM**

I claim the ornamental design for callus remover, as shown and described.

DESCRIPTION

FIG. 1 is a bottom view of the callus remover showing my new design;
FIG. 2 is a top view thereof;
FIG. 3 is a right side view thereof;
FIG. 4 is a left side view thereof;
FIG. 5 is a back end view thereof; and,
FIG. 6 is a front end view thereof.

1 Claim, 3 Drawing Sheets

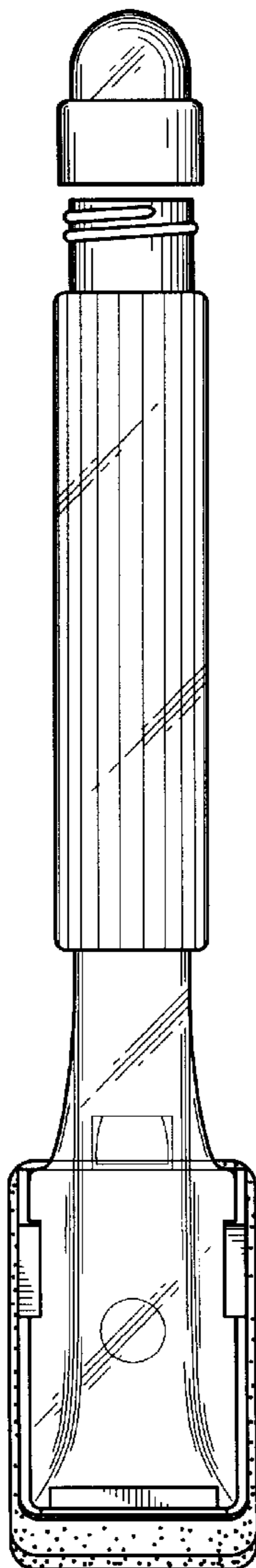


Fig. 1

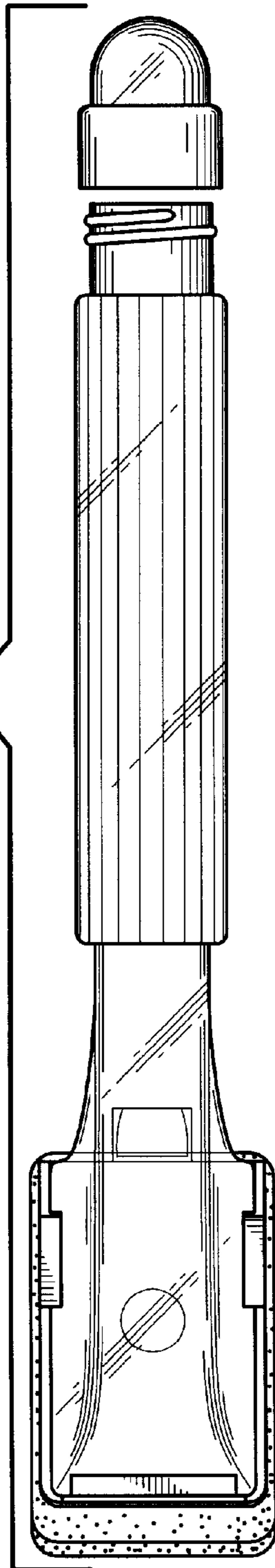


Fig. 2

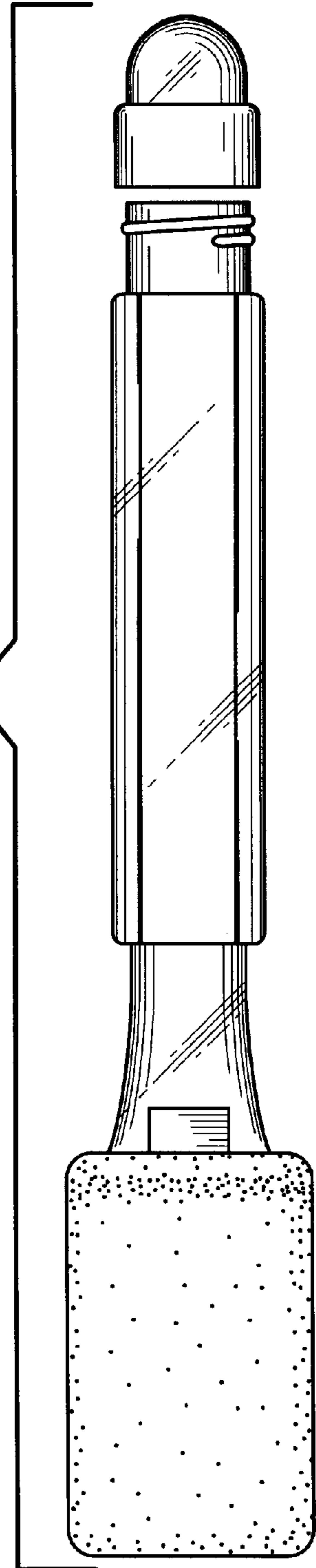


Fig. 3

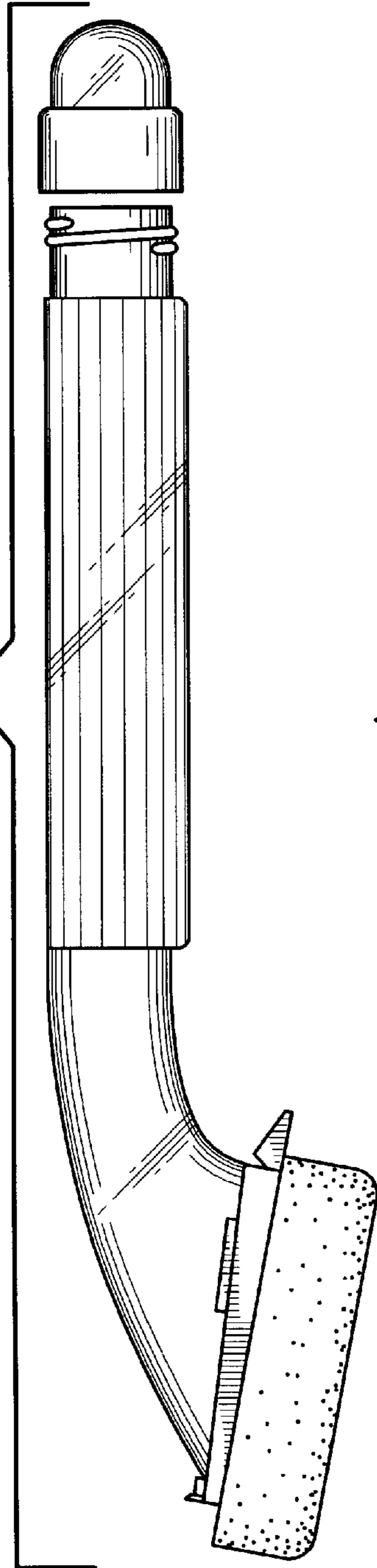
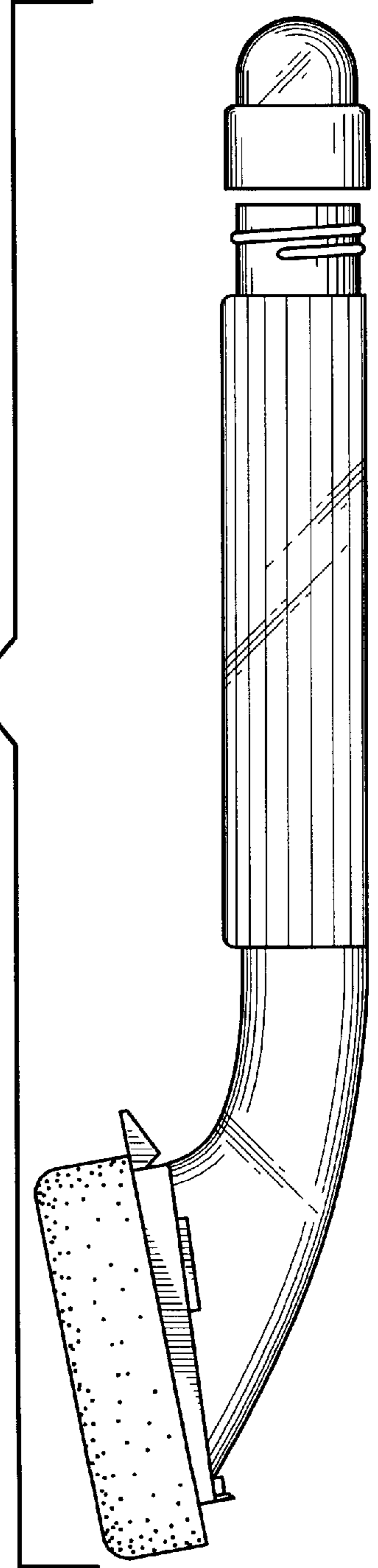


Fig. 4



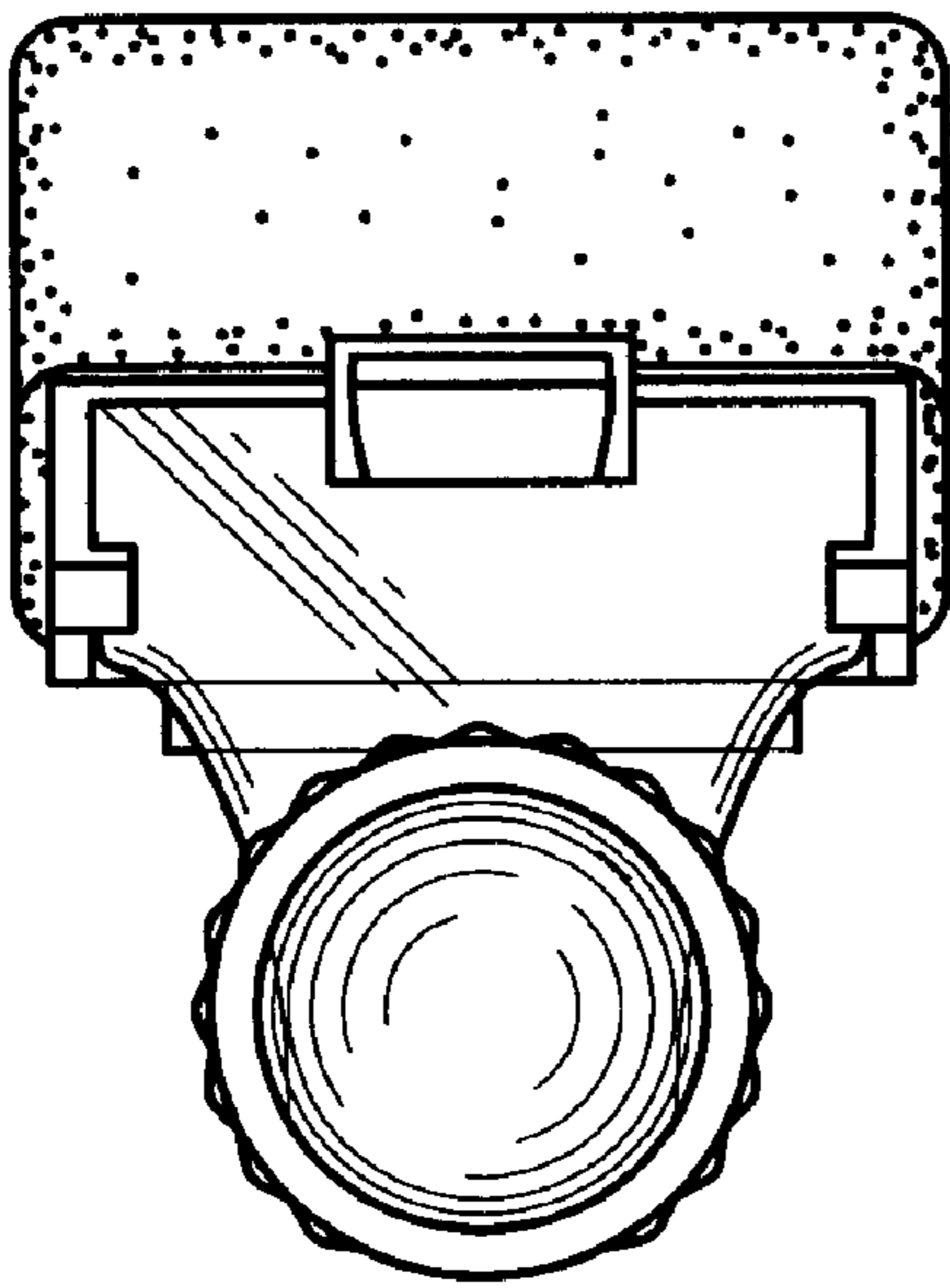


Fig. 5

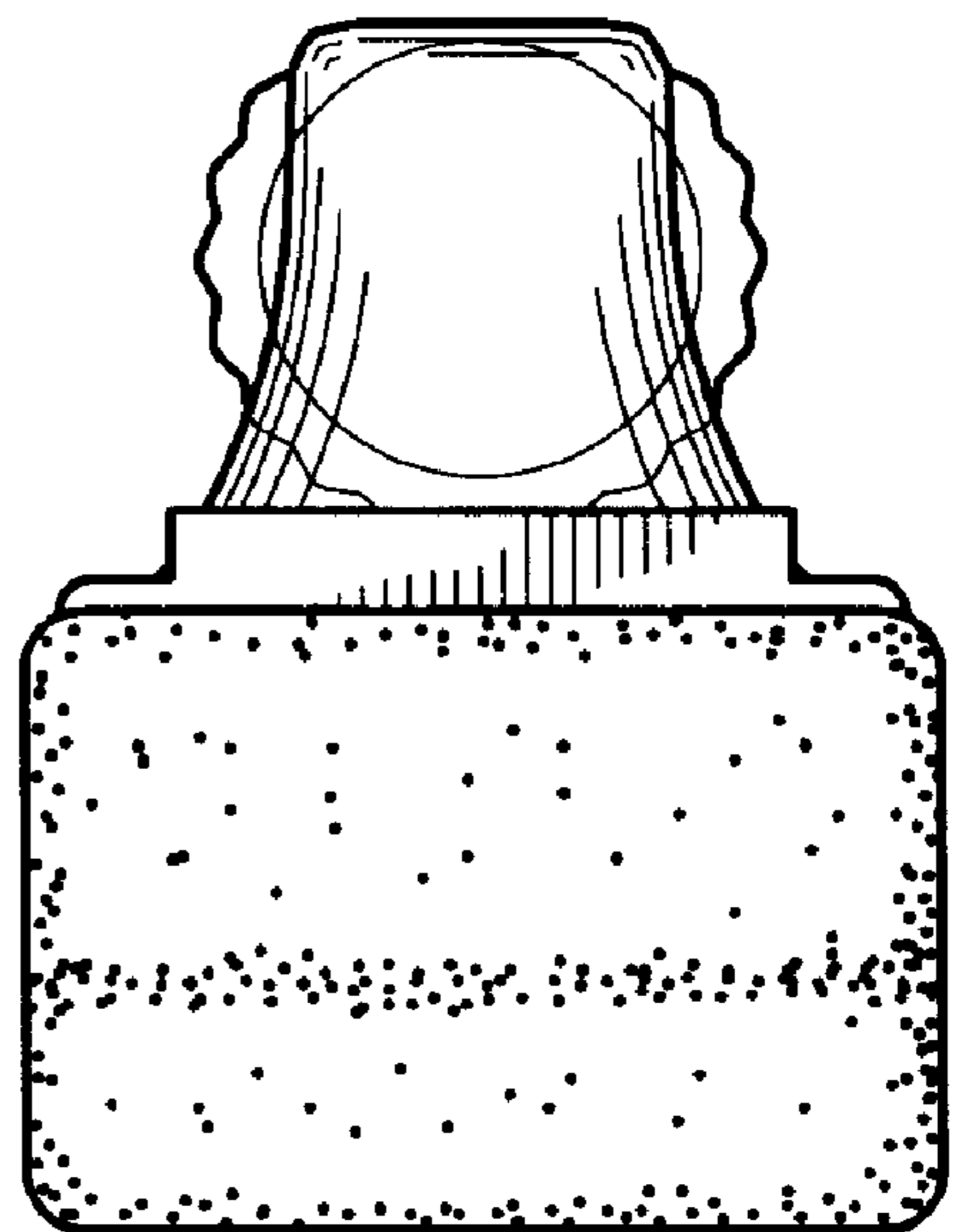


Fig. 6