



US00D426912S

United States Patent [19]
De'Armond

[11] **Patent Number: Des. 426,912**
[45] **Date of Patent: ** Jun. 20, 2000**

[54] **LIGHTING FIXTURE BACKPLATE**

[75] Inventor: **Robert De'Armond**, Temecula, Calif.

[73] Assignee: **Minka Lighting, Inc.**, Corona, Calif.

[**] Term: **14 Years**

[21] Appl. No.: **29/105,644**

[22] Filed: **May 27, 1999**

[51] **LOC (7) Cl.** **26-99**

[52] **U.S. Cl.** **D26/142; D8/352**

[58] **Field of Search** D26/72, 80-92,
D26/142, 152, 153, 154, 145; 362/404-408,
432; D8/352

[56] **References Cited**

U.S. PATENT DOCUMENTS

D. 41,386	5/1911	Andersen	D26/142
D. 63,828	1/1924	Kahns	D26/142
D. 78,061	3/1929	Villaret	D26/142
D. 411,032	6/1999	Miranda	D26/142

Primary Examiner—Susan J. Lucas

Attorney, Agent, or Firm—Jenkins & Gilchrist, P.C.

[57] **CLAIM**

The ornamental design for the lighting fixture backplate, as shown and described.

DESCRIPTION

FIG. 1 is a side elevational view of the lighting fixture backplate in accordance with my design, illustrated in an environment of a lamp;

FIG. 2 is a top plan view of the lighting fixture backplate in accordance with my design, the bottom being identical thereto;

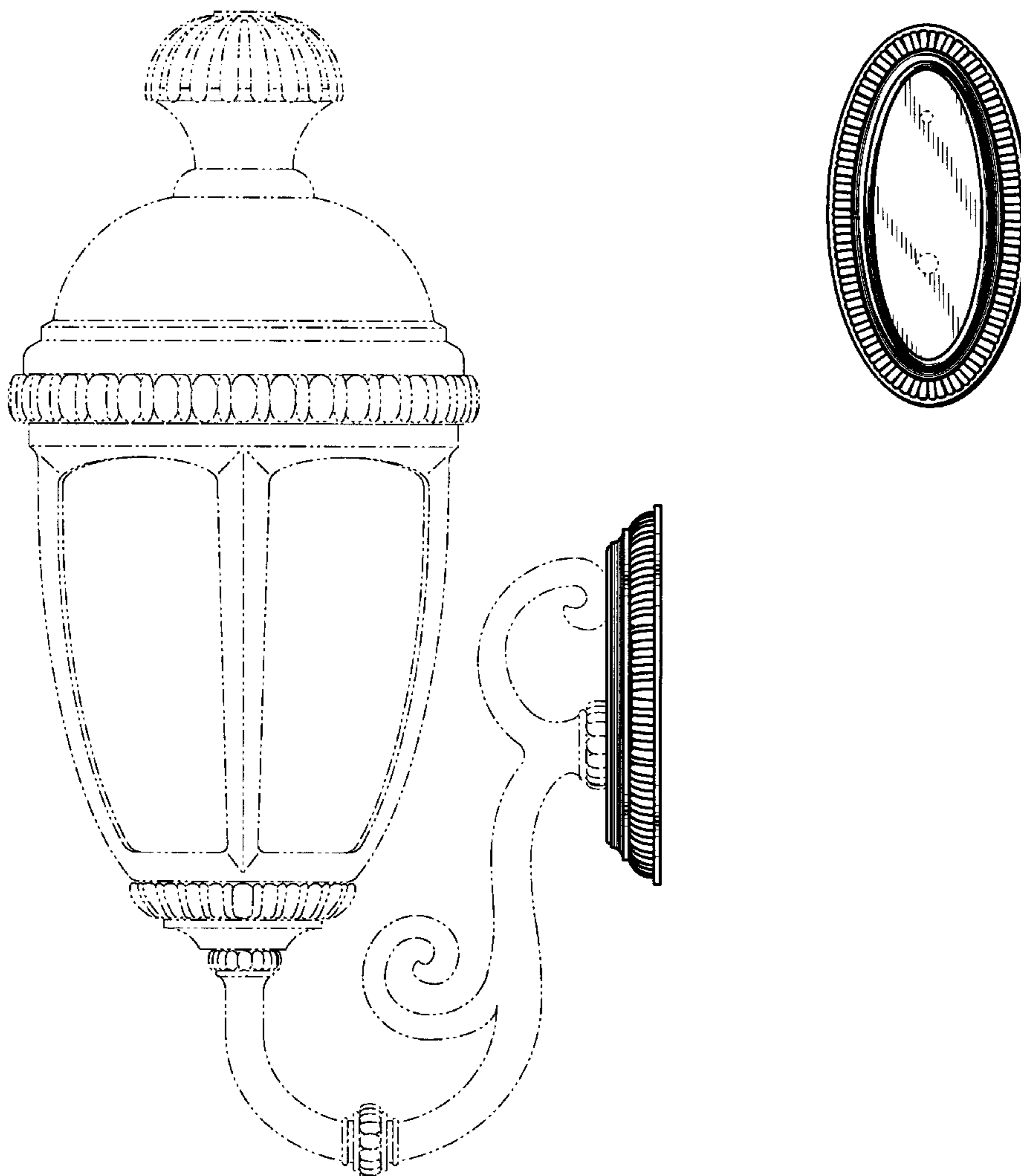
FIG. 3 is a front side elevational view of the lighting fixture backplate in accordance with my design;

FIG. 4 is a left side elevational view of the lighting fixture backplate in accordance with my design, the right side being a mirror image thereof; and,

FIG. 5 is a rear side elevational view of the lighting fixture backplate in accordance with my design.

The broken lines show the environment in which the article is used and are not considered part of the design claimed.

1 Claim, 1 Drawing Sheet



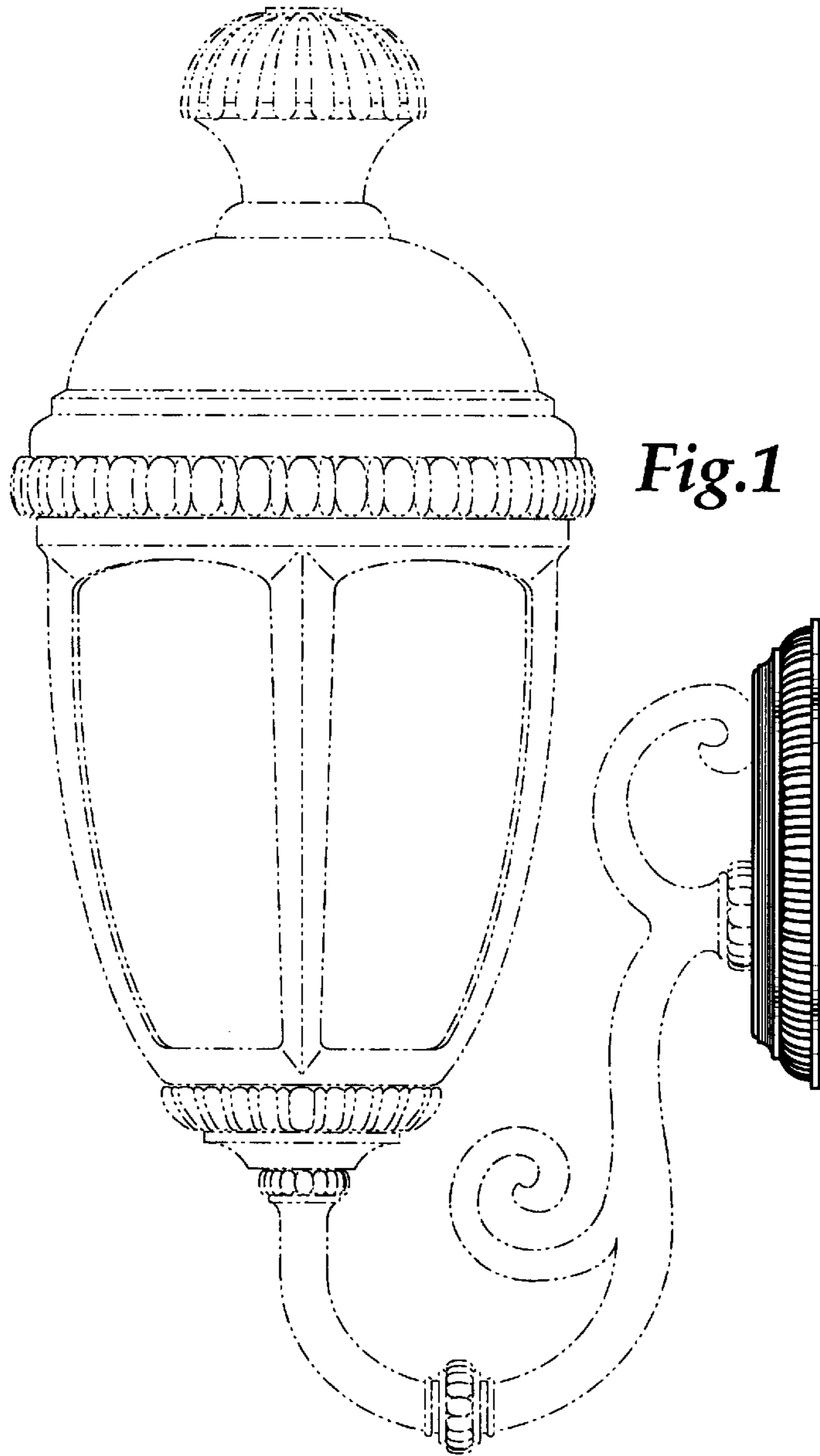


Fig.1



Fig.2

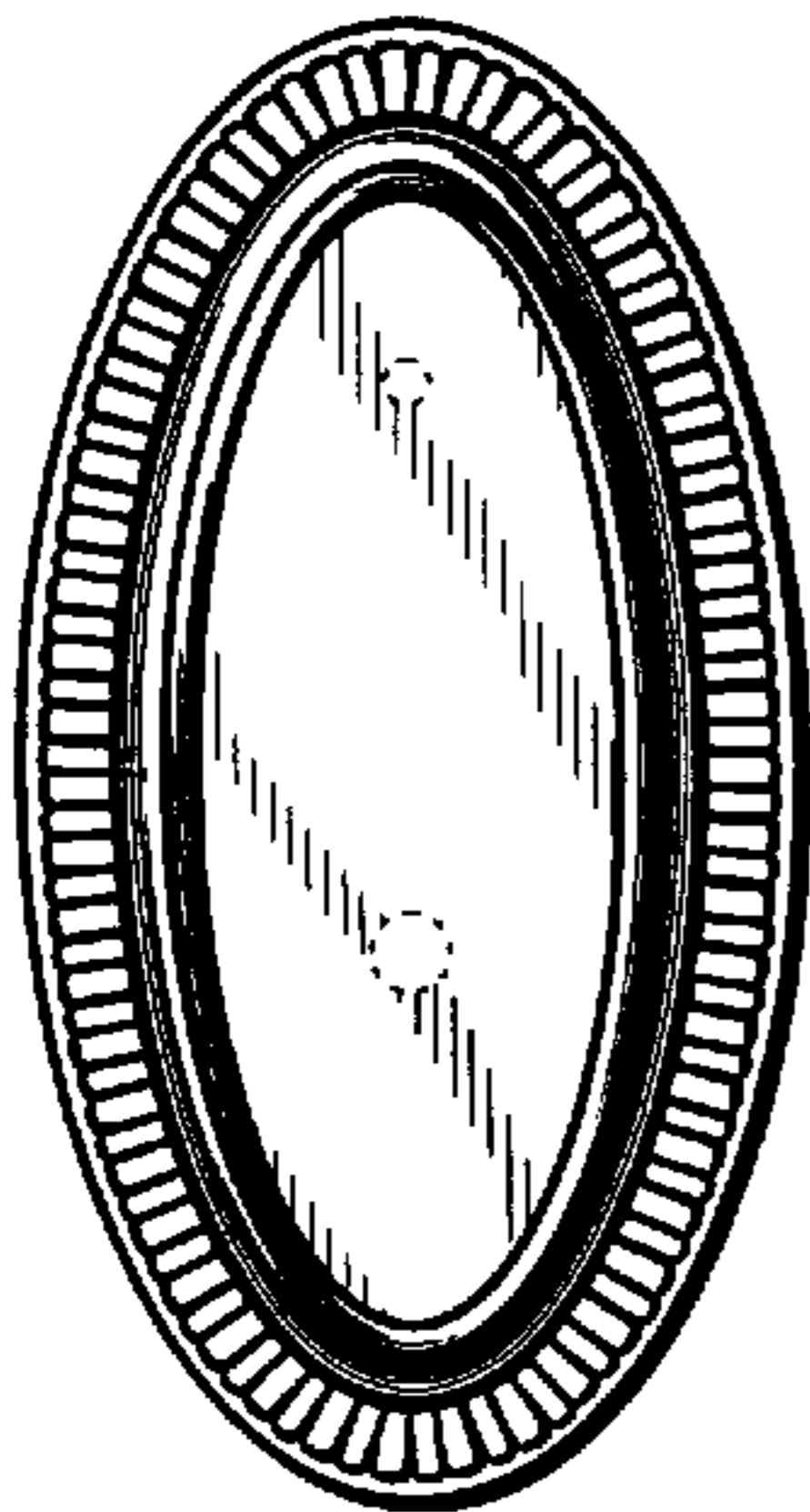


Fig.3

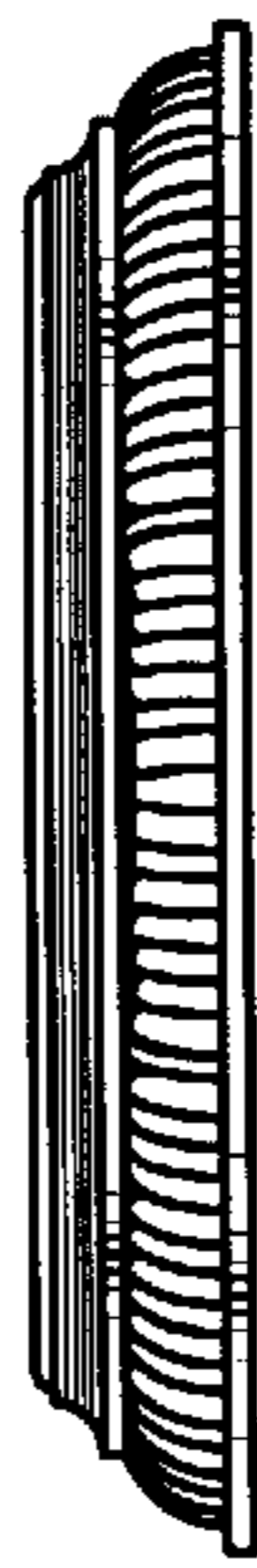


Fig.4

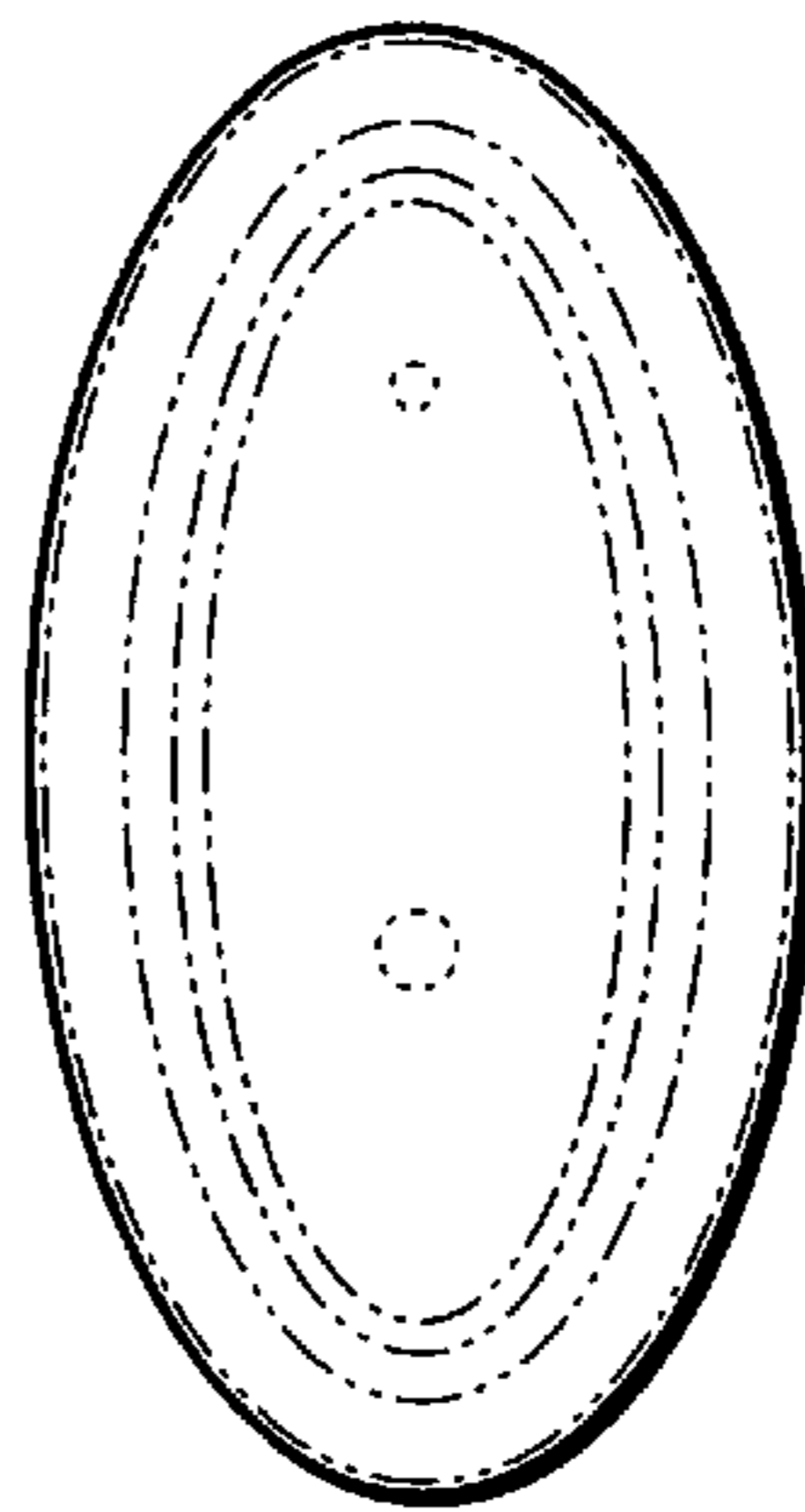


Fig.5