



US00D426911S

United States Patent [19]

Jaspers-Fayer et al.

[11] Patent Number: **Des. 426,911**

[45] Date of Patent: **** Jun. 20, 2000**

[54] **LIGHTING FIXTURE BACKPLATE**

[75] Inventors: **Jan Jaspers-Fayer**, Idyllwild; **Fred Cohen**, Los Angeles, both of Calif.

[73] Assignee: **Minka Lighting, Inc.**, Corona, Calif.

[**] Term: **14 Years**

[21] Appl. No.: **29/105,565**

[22] Filed: **May 27, 1999**

[51] **LOC (7) Cl.** **26-99**

[52] **U.S. Cl.** **D26/142**

[58] **Field of Search** D26/72, 80-92,
D26/142, 152, 153, 154, 145; 362/404-408,
432

[56] **References Cited**

U.S. PATENT DOCUMENTS

D. 82,354 10/1930 Watkin D26/86

OTHER PUBLICATIONS

Murray Feiss lighting catalog, Mar. 1995, p. 119, wall lamp base, #VS2401.

Primary Examiner—Susan J. Lucas

Attorney, Agent, or Firm—Jenkins & Gilchrist, P. C.

[57] **CLAIM**

The ornamental design for the lighting fixture backplate, as shown and described.

DESCRIPTION

FIG. 1 is a right side elevational view of the lighting fixture backplate in accordance with our design, illustrated in an environment of a lamp;

FIG. 2 is a top plan view of the lighting fixture backplate in accordance with our design;

FIG. 3 is a front elevational view of the lighting fixture backplate in accordance with our design;

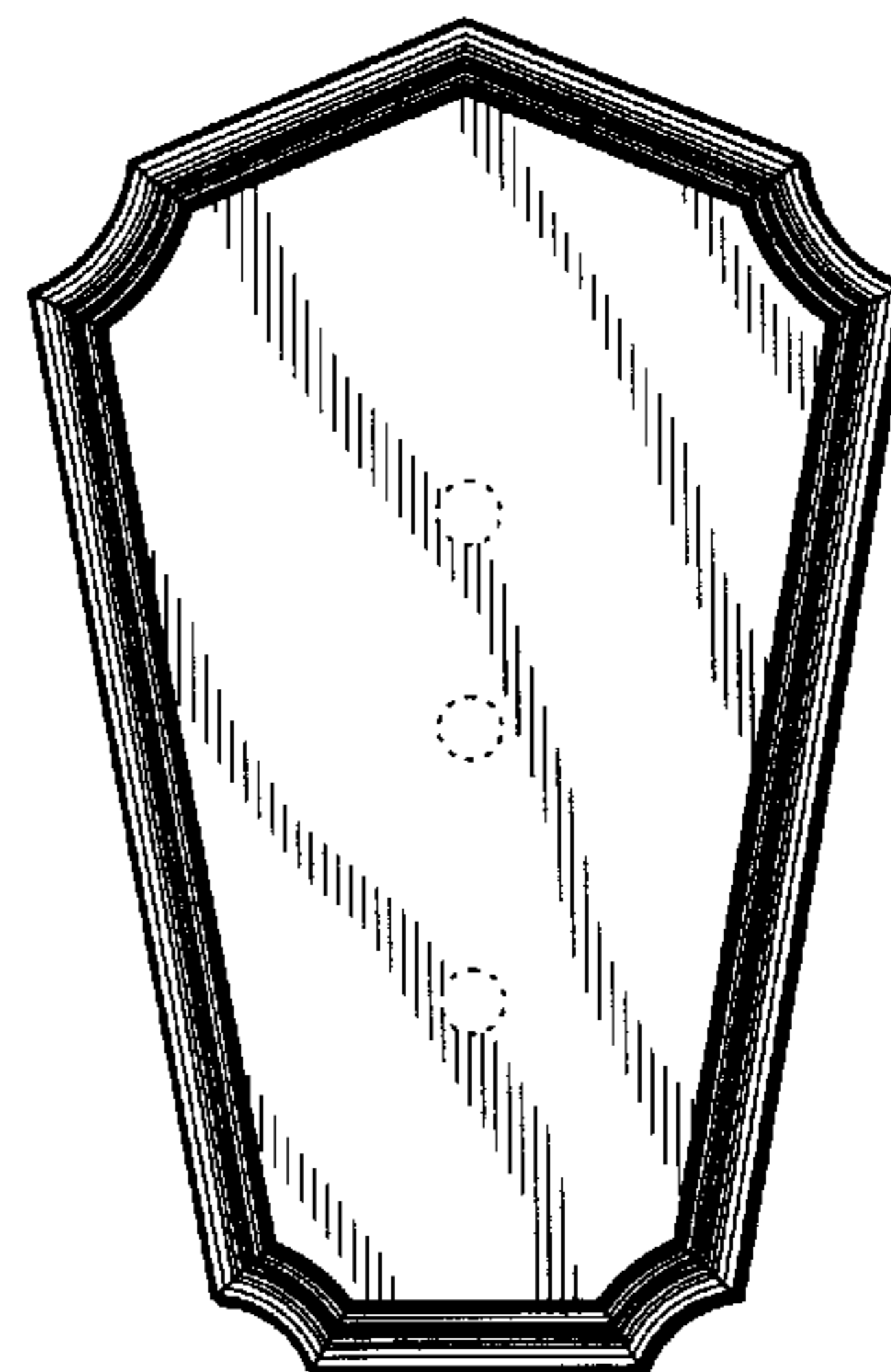
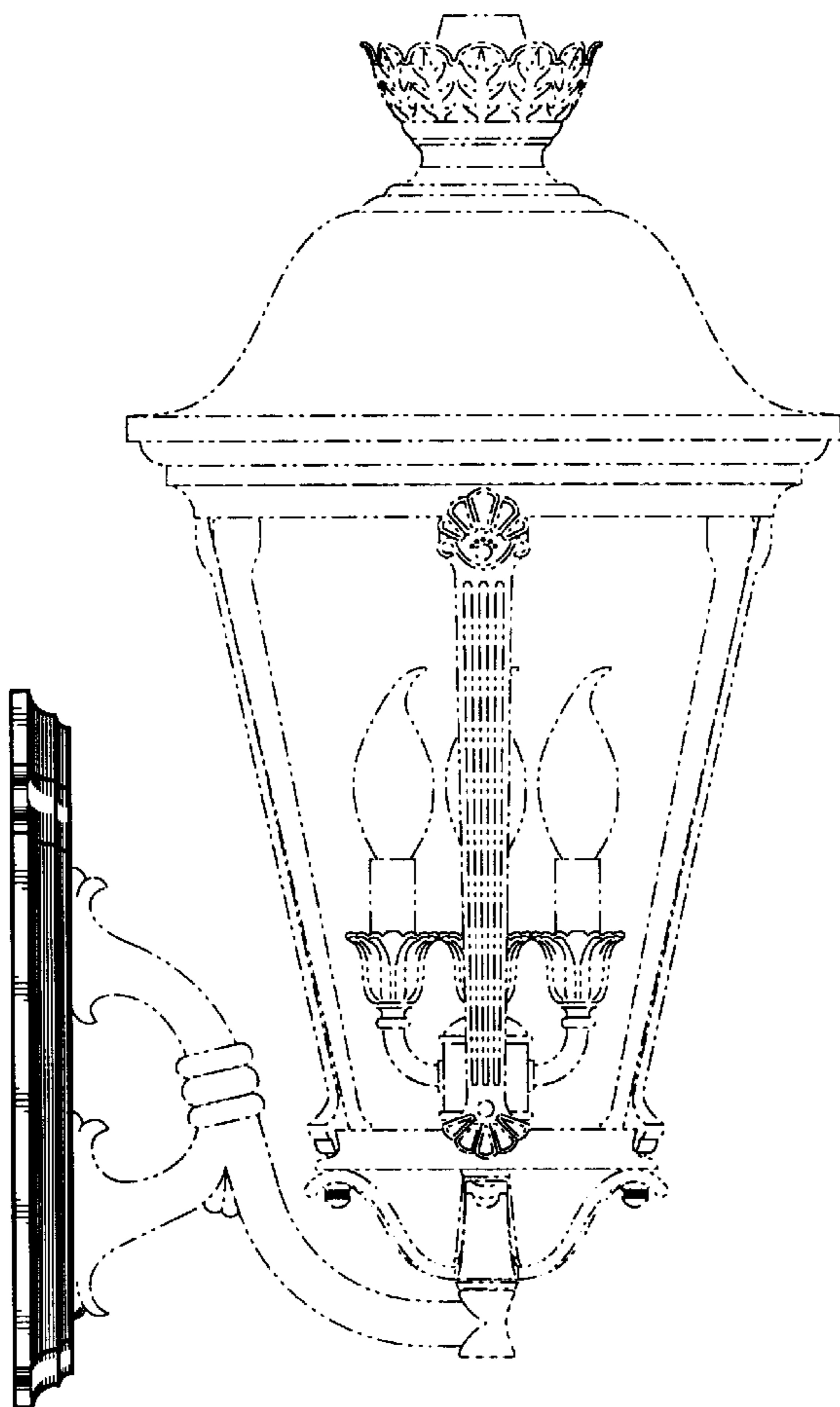
FIG. 4 is a left side elevational view of the lighting fixture backplate in accordance with our design;

FIG. 5 is a rear side elevational view of the lighting fixture backplate in accordance with our design; and,

FIG. 6 is a bottom plan view of the lighting fixture backplate in accordance with our design.

The broken lines show the environment in which the article is used and are not considered part of the design claimed.

1 Claim, 2 Drawing Sheets



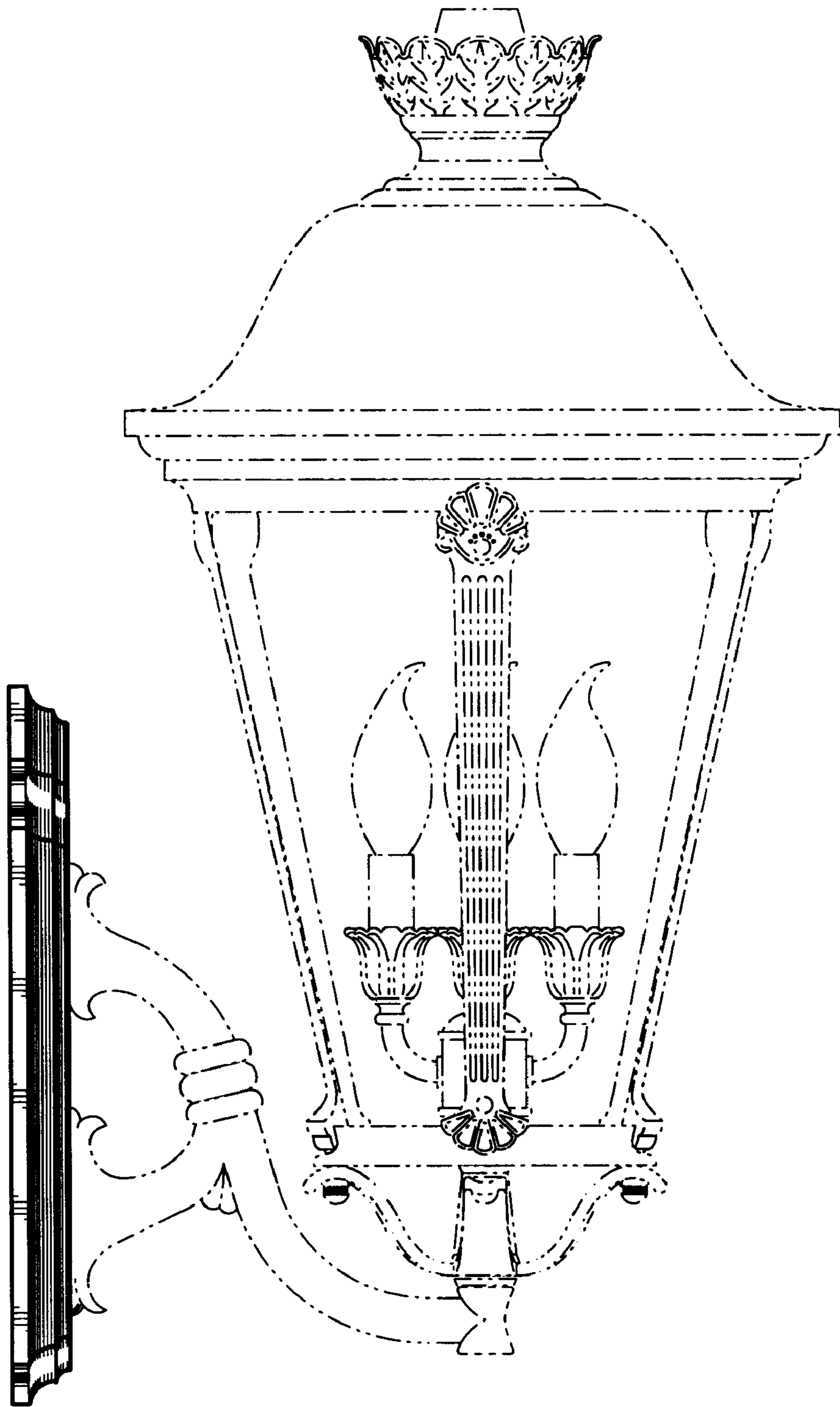


Fig. 1

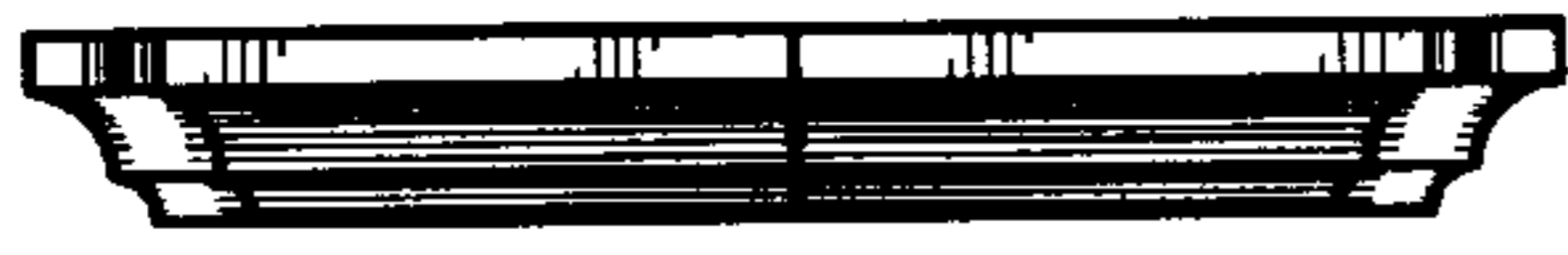


Fig.2

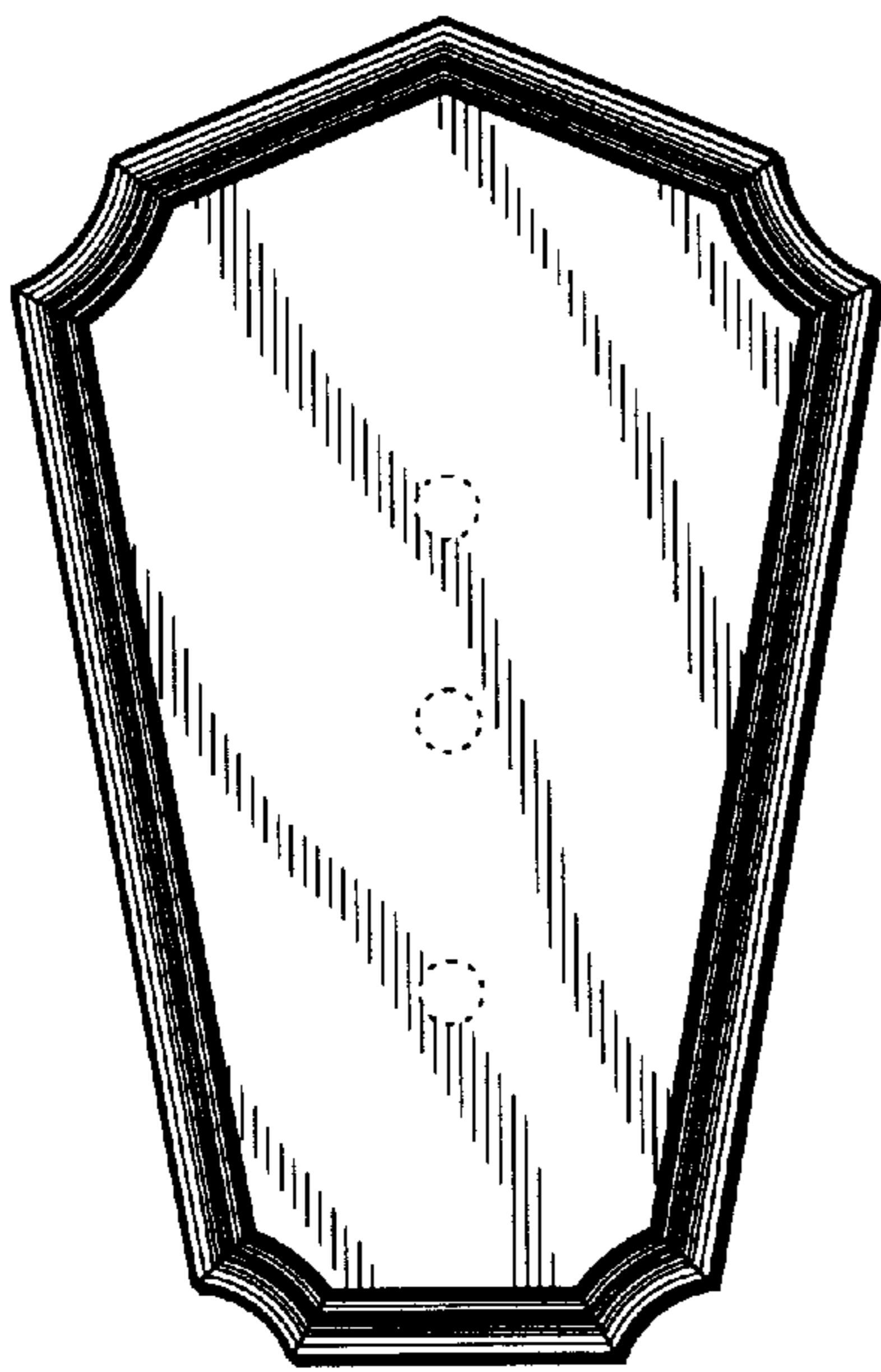


Fig.3



Fig.4

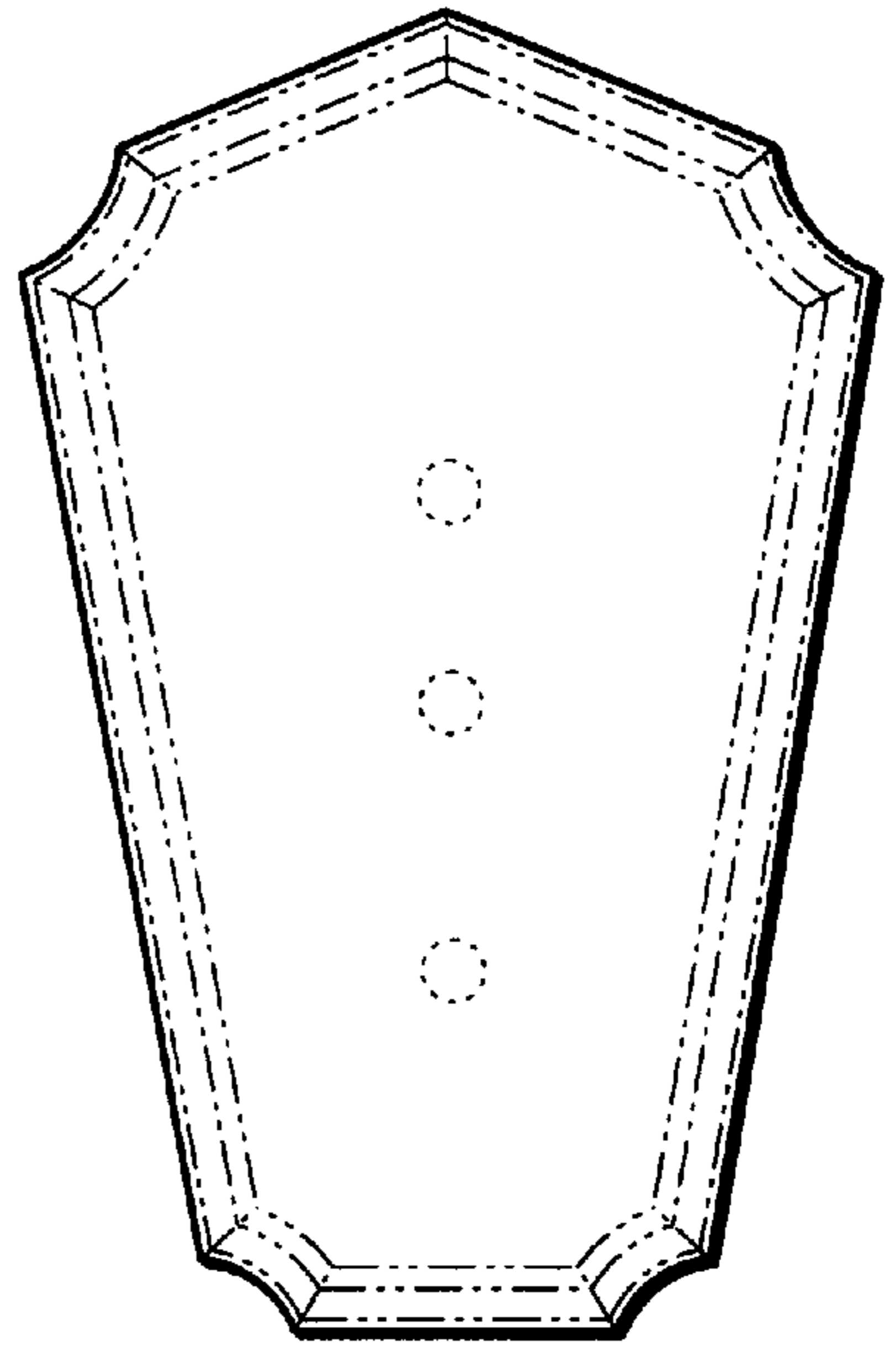


Fig.5

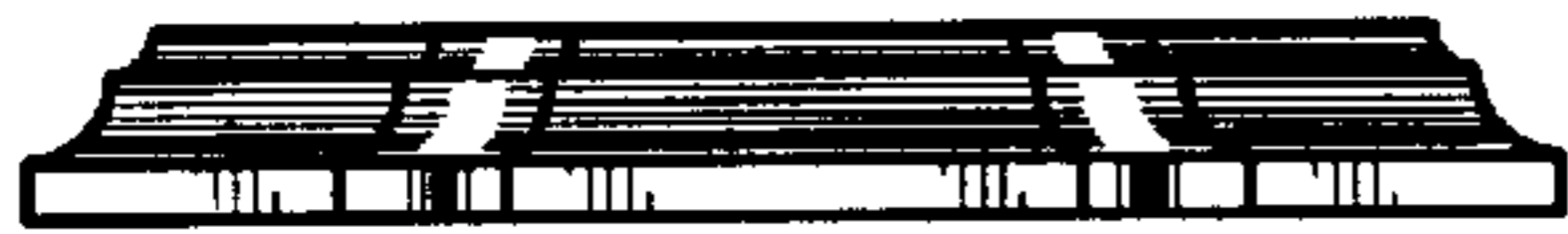


Fig.6