



US00D426909S

United States Patent [19]

Swanson

[11] **Patent Number: Des. 426,909**

[45] **Date of Patent: ** Jun. 20, 2000**

[54] **TORCHIERE FLOOR LAMP**

[75] Inventor: **Dennis K. Swanson**, Woodland Hills, Calif.

[73] Assignee: **Lamps Plus, Inc.**, Chatsworth, Calif.

[**] Term: **14 Years**

[21] Appl. No.: **29/111,435**

[22] Filed: **Sep. 28, 1999**

[51] **LOC (7) Cl.** **26-03**

[52] **U.S. Cl.** **D26/110**

[58] **Field of Search** D26/93-112; 362/410-414

[56] **References Cited**

U.S. PATENT DOCUMENTS

D. 381,759 7/1997 Yeh D26/106
5,997,160 12/1999 Swanson 361/410

OTHER PUBLICATIONS

Taiwan Lighting, p. 199, Light A, top right side of page, Feb. 1997.

Primary Examiner—Lisa Lichtenstein

Attorney, Agent, or Firm—Fulbright & Jaworski L.L.P.

[57] **CLAIM**

The ornamental design of a torchiere floor lamp, substantially as shown and described.

DESCRIPTION

FIG. 1 is a perspective view of a torchiere floor lamp of the present invention;

FIG. 2 is a front elevational view thereof;

FIG. 3 is a rear elevational view thereof;

FIG. 4 is a right side view thereof;

FIG. 5 is a left side view thereof; and,

FIG. 6 is a top view thereof.

The surface(s) or portion(s) of the article not shown in the drawing or described in the specification form(s) no part of the claimed design.

1 Claim, 4 Drawing Sheets

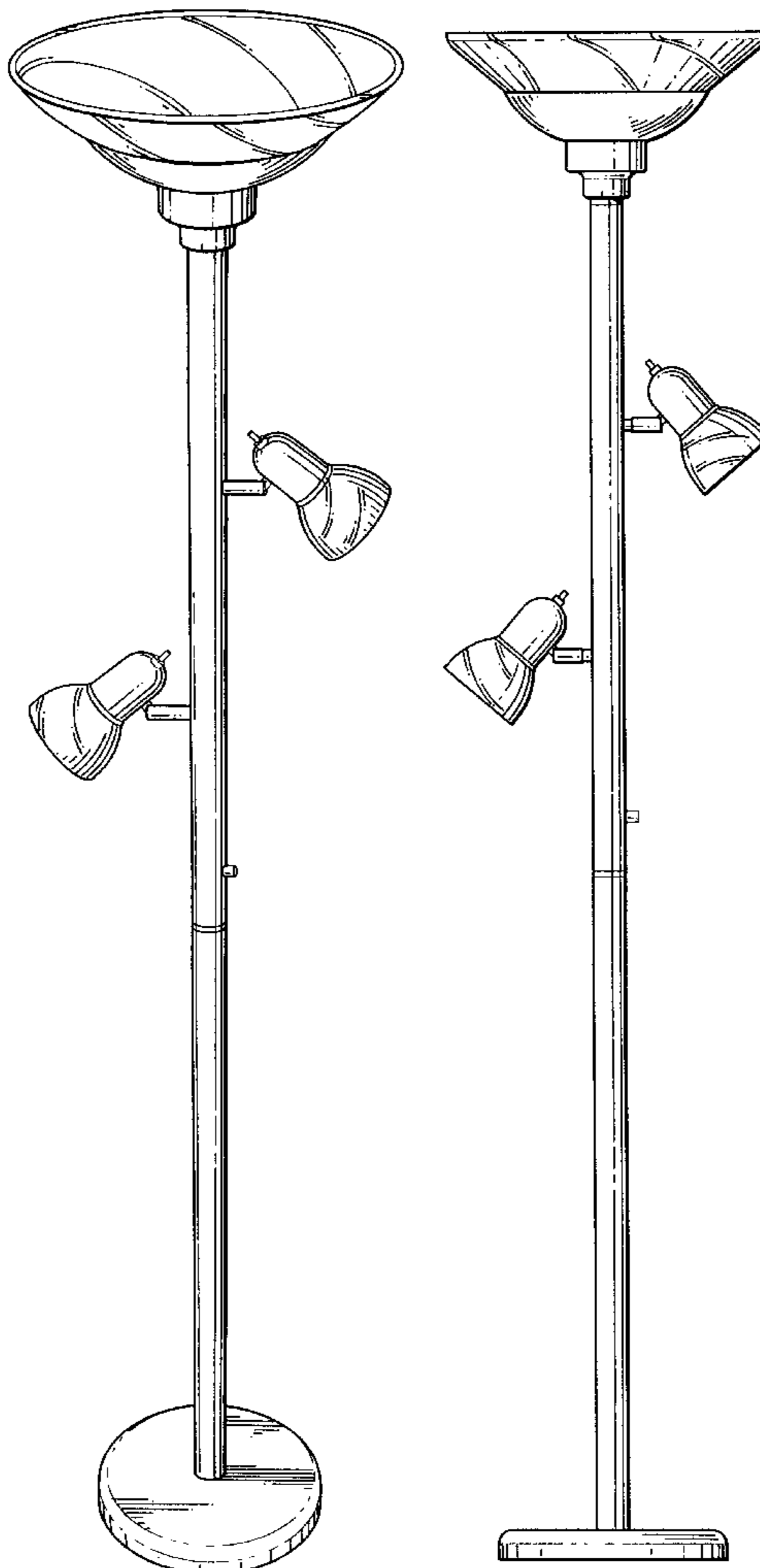


FIG. 1

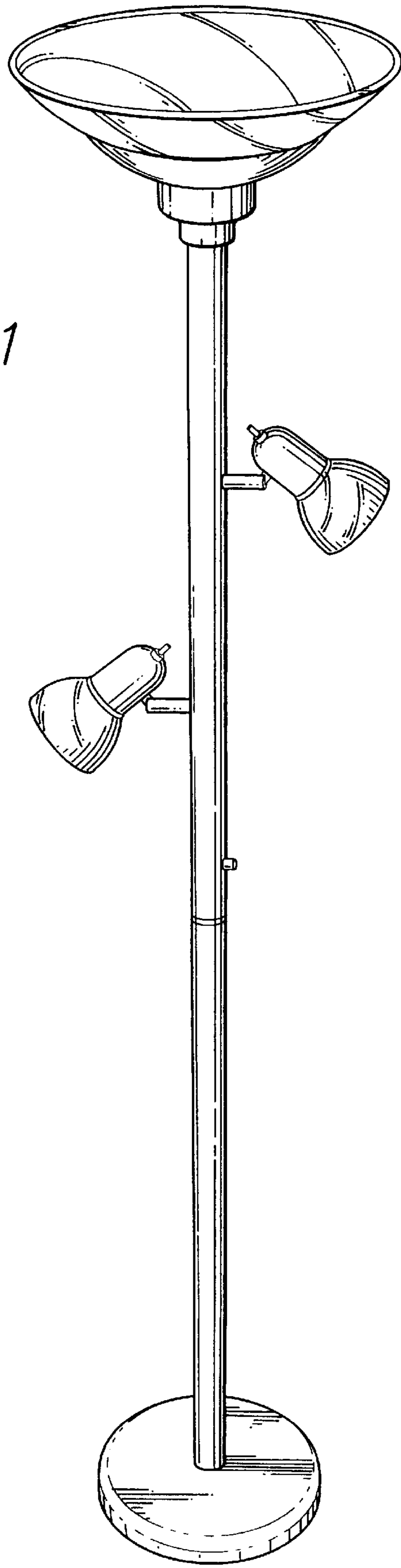
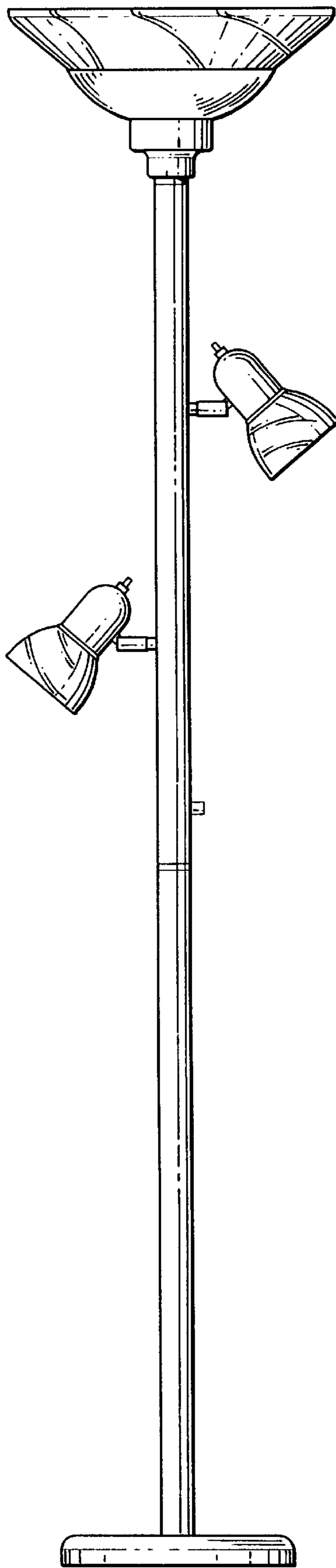


FIG. 2



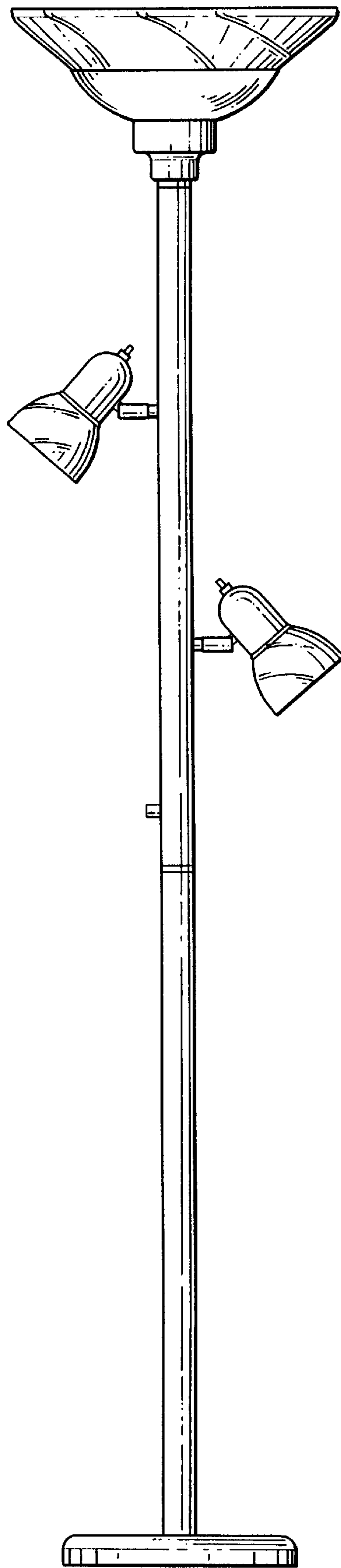


FIG. 3

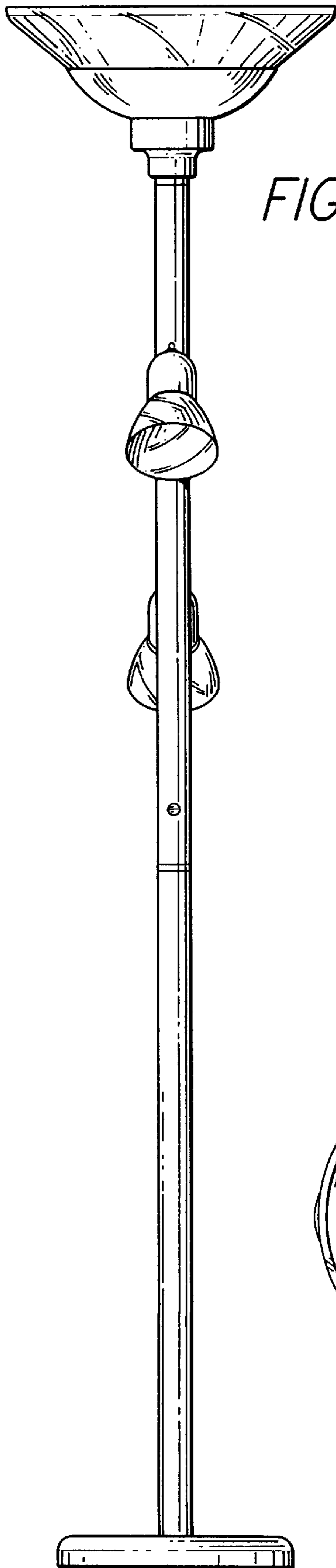


FIG. 4

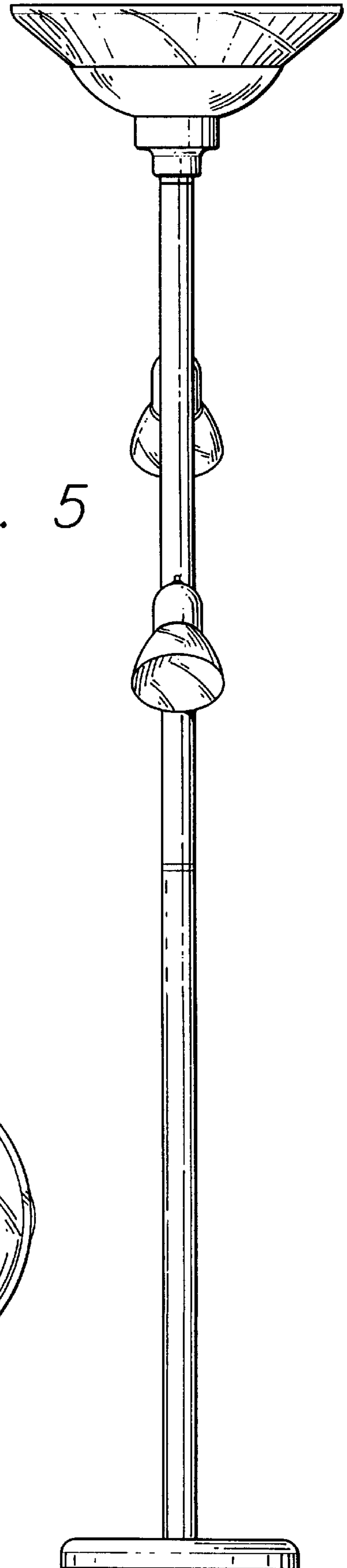


FIG. 5

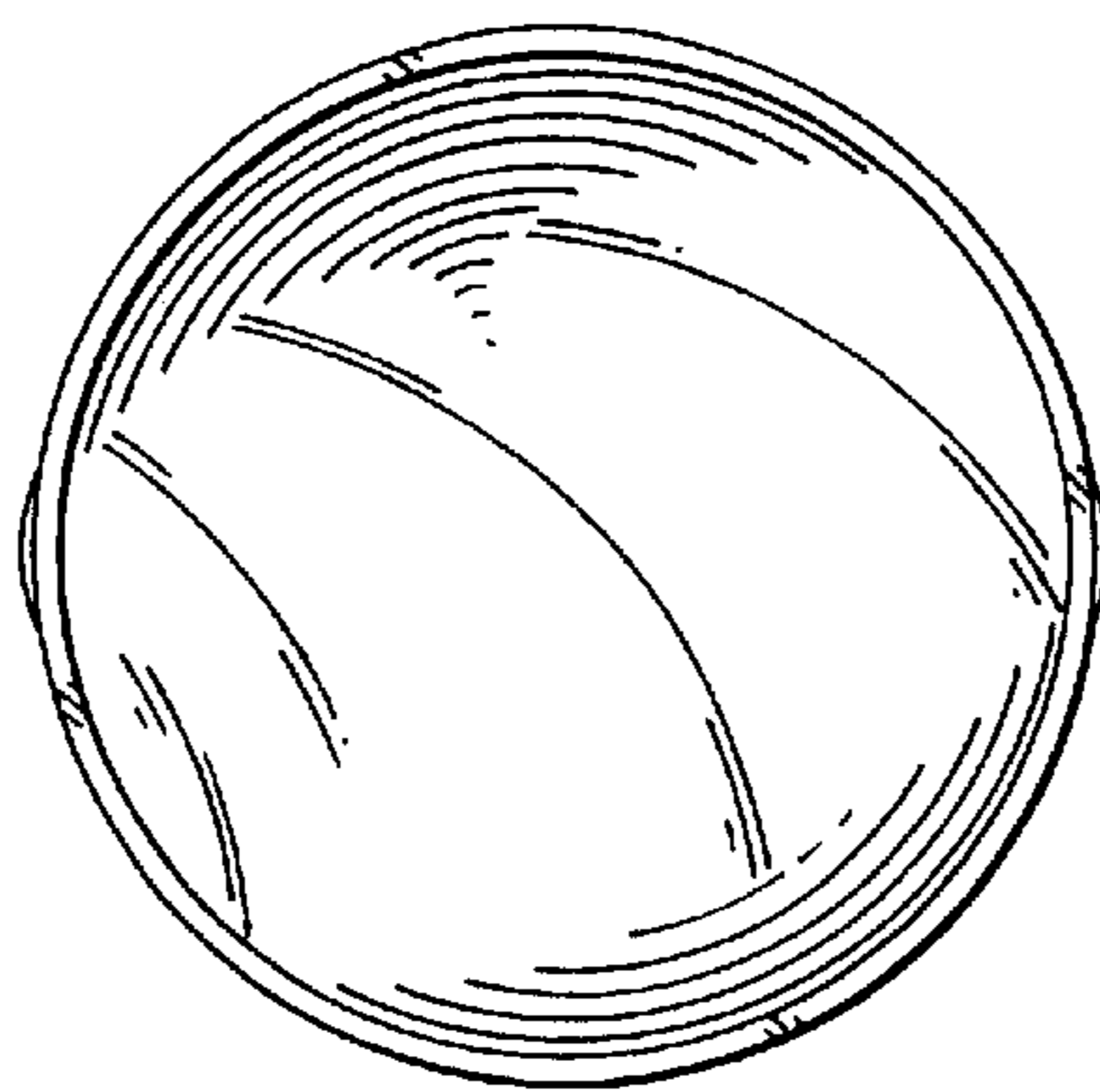


FIG. 6