



US00D426908S

United States Patent [19]
Batcheller, Jr.

[11] **Patent Number: Des. 426,908**
[45] **Date of Patent: ** Jun. 20, 2000**

[54] **STANDING LAMP**

Attorney, Agent, or Firm—Peter E. Rosden

[76] Inventor: **David S. Batcheller, Jr.**, 2016 Minor Rd., Charlottesville, Va. 22903

[57] **CLAIM**

[**] Term: **14 Years**

I claim the ornamental design for a standing lamp, as shown and described.

[21] Appl. No.: **29/100,641**

DESCRIPTION

[22] Filed: **Feb. 16, 1999**

[51] **LOC (7) Cl.** **26-05**

[52] **U.S. Cl.** **D26/110**

[58] **Field of Search** D26/93, 102–112;
362/410–414

FIG. 1 is a front perspective view of the standing lamp.

FIG. 2 is an enlarged perspective view of the top portion of the standing lamp of FIG. 1, the bottom being omitted for convenience of illustration;

FIG. 3 is an enlarged elevation view of the bottom portion of the standing lamp of FIG. 1, the top portion being omitted for convenience of illustration

FIG. 4 is an enlarged elevation view of the top portion of the standing lamp, the bottom being omitted for convenience of illustration; and,

FIG. 5 is an enlarged elevation view of the top portion of the standing lamp, the top being omitted for convenience of illustration.

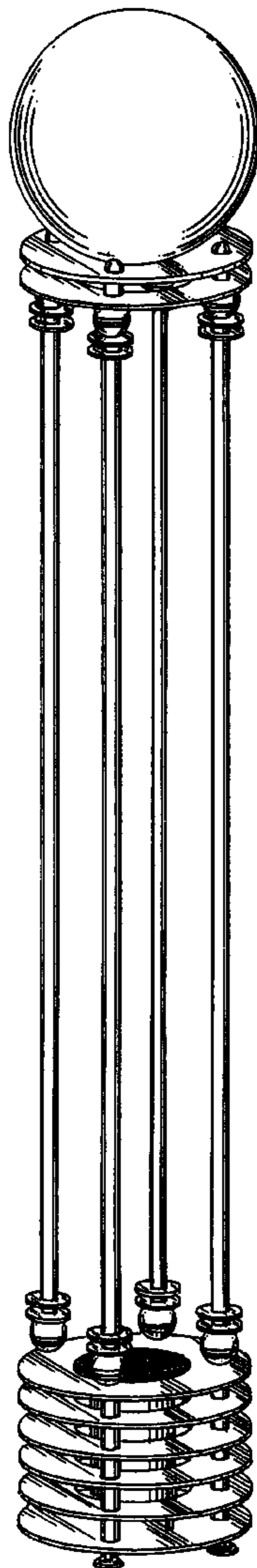
[56] **References Cited**

U.S. PATENT DOCUMENTS

D. 77,350	1/1929	Blumenfield	D26/105
D. 360,967	8/1995	von Kluck	D26/106
D. 403,099	12/1998	Hsu	D26/112
D. 405,213	2/1999	Chen	D26/108

Primary Examiner—Susan J. Lucas

1 Claim, 5 Drawing Sheets



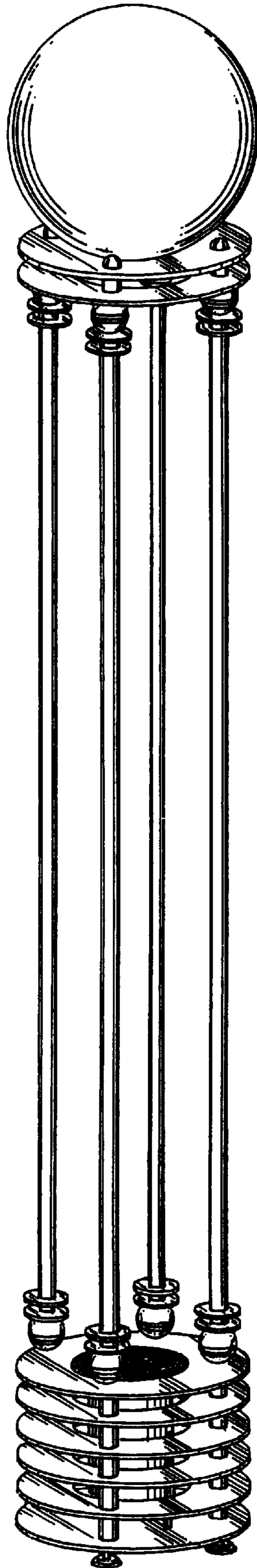


FIG. 1.

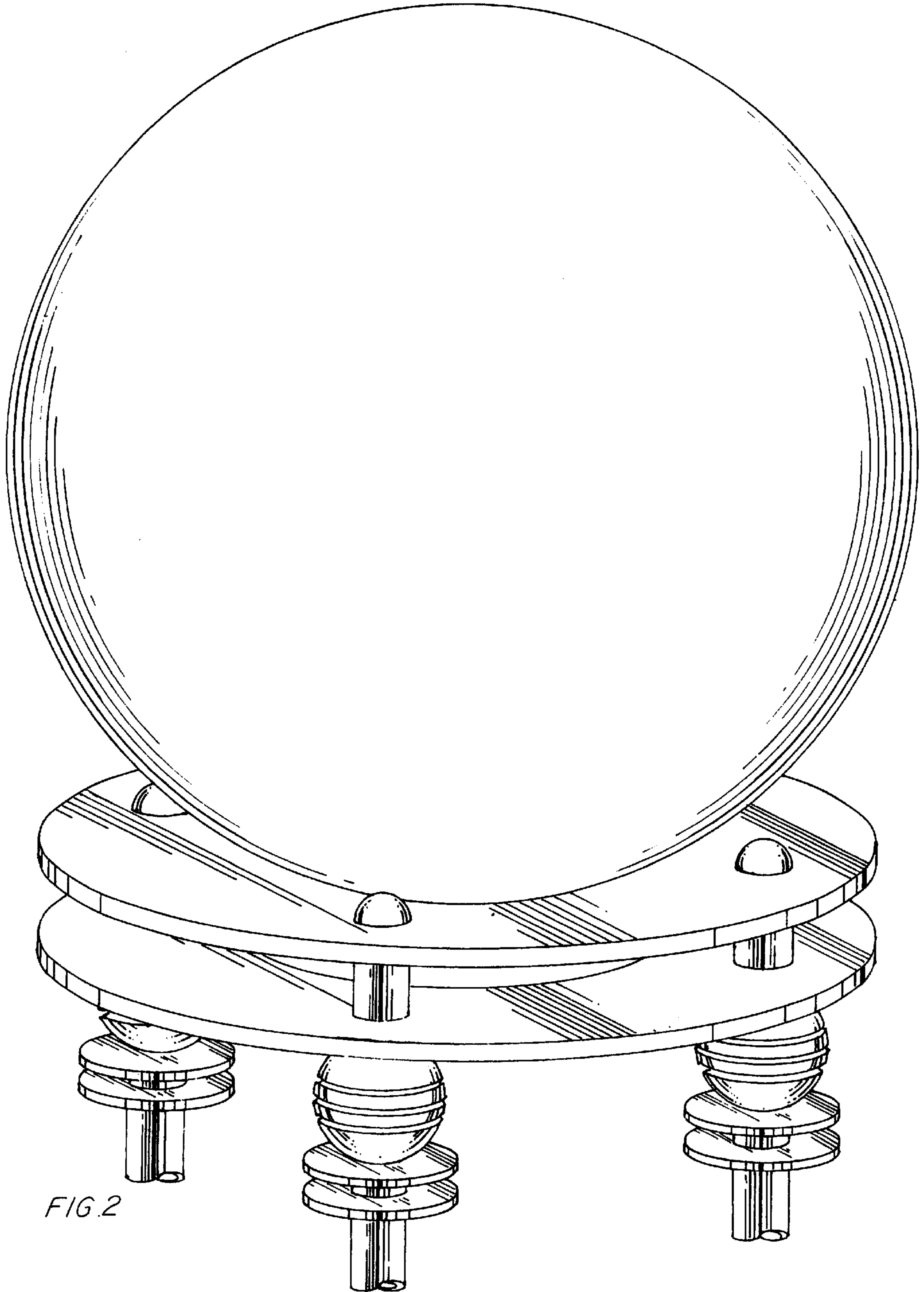


FIG. 2

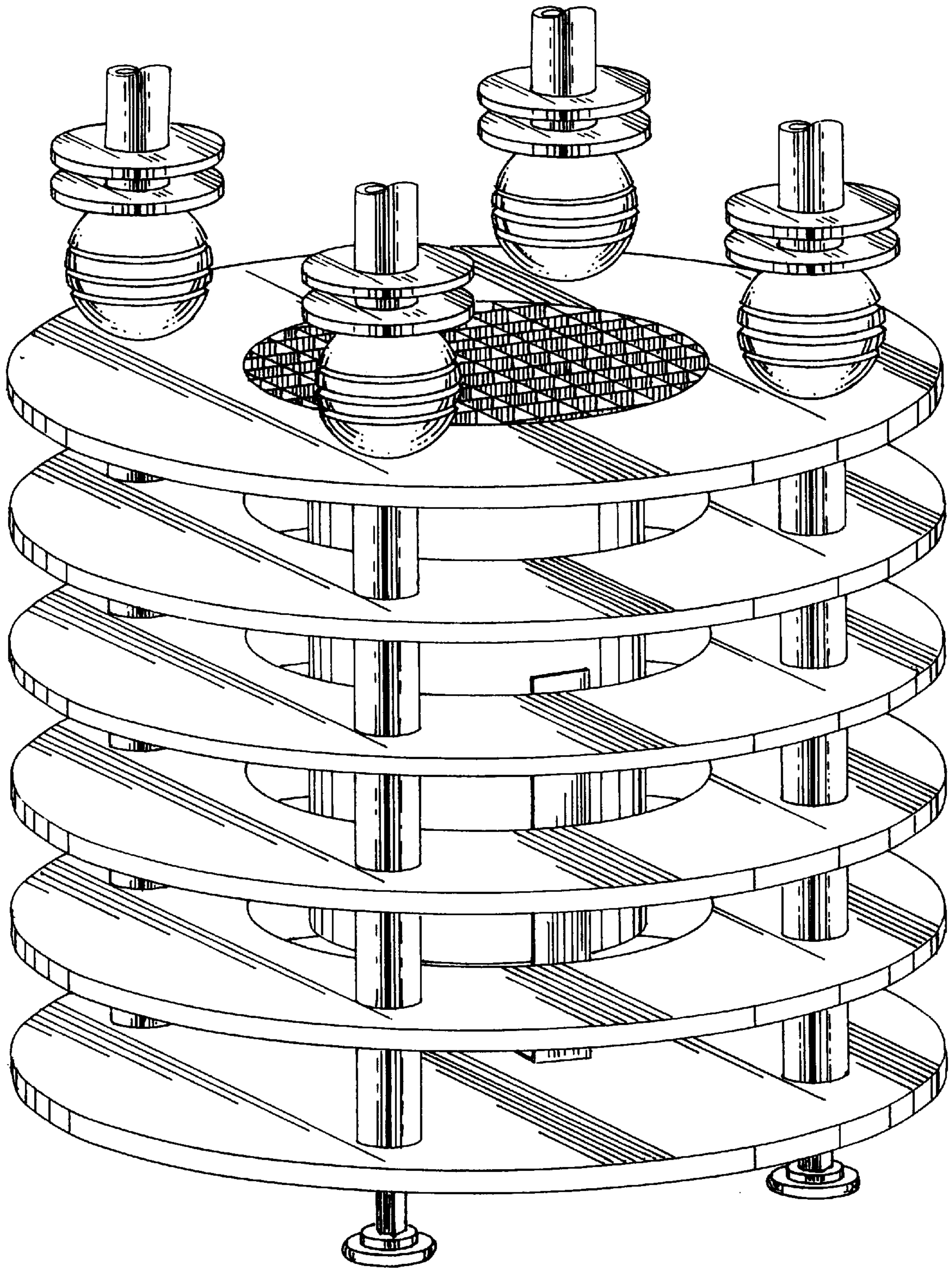


FIG. 3

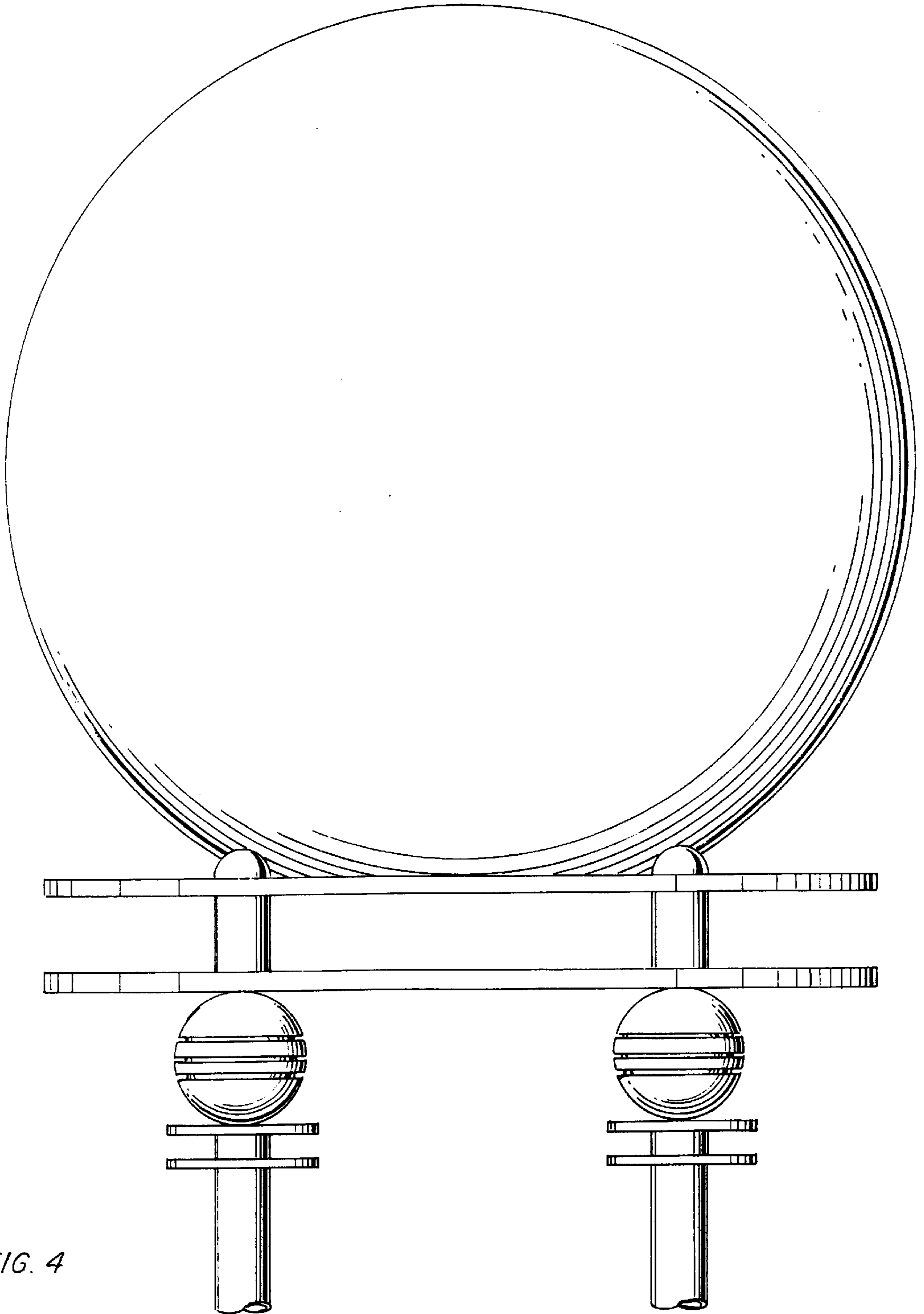


FIG. 4

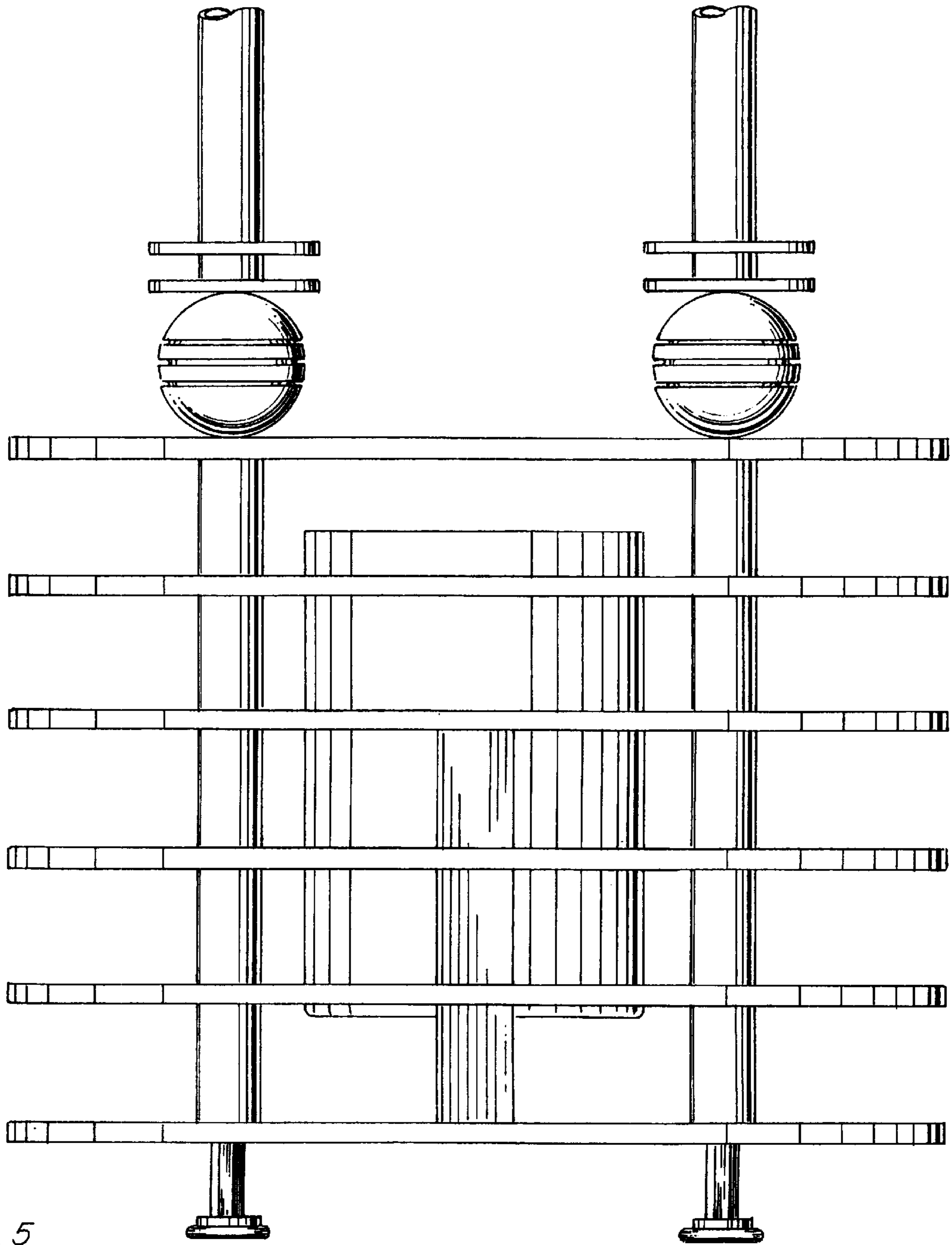


FIG. 5