



US00D426907S

United States Patent [19]

Swanson

[11] Patent Number: **Des. 426,907**

[45] Date of Patent: **** Jun. 20, 2000**

[54] **DESK LAMP HAVING ADJUSTABLE LIGHTS AND GENERAL AREA LIGHTING**

D. 370,286 5/1996 Swanson D26/63
D. 370,546 6/1996 Huang D26/93

[75] Inventor: **Dennis K. Swanson**, Woodland Hills, Calif.

OTHER PUBLICATIONS

Home Lighting and Accessories, Jun. 1993, p. 70, Diamond Classics tree lamp, right side.

[73] Assignee: **Pacific Coast Lighting**, Chatsworth, Calif.

Primary Examiner—Susan J. Lucas
Attorney, Agent, or Firm—Fulbright & Jaworski L.L.P.

[**] Term: **14 Years**

[57] CLAIM

[21] Appl. No.: **29/102,036**

The ornamental design of a desk lamp having adjustable lights and general area lighting, as shown and described.

[22] Filed: **Mar. 16, 1999**

DESCRIPTION

[51] **LOC (7) Cl.** **26-05**

[52] **U.S. Cl.** **D26/65**

[58] **Field of Search** D26/93, 102-112,
D26/61, 62, 63, 65; 362/410-414, 269,
277, 287, 418, 419, 427

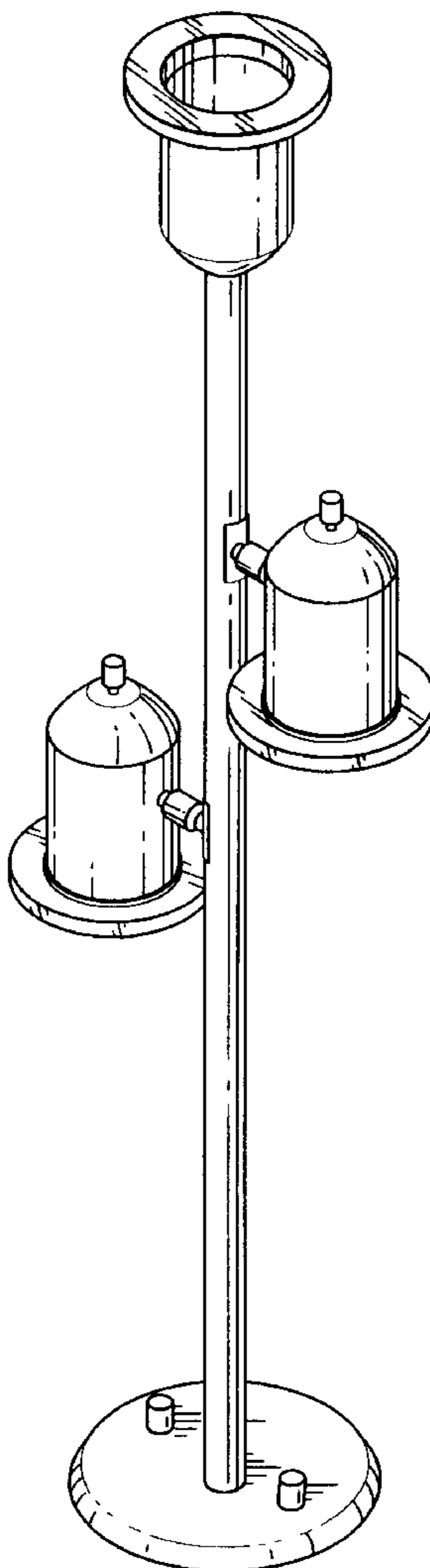
FIG. 1 is a perspective view of a desk lamp having adjustable task lights and general area lighting of my invention; FIG. 2 is a front elevational view thereof; FIG. 3 is a rear elevational view thereof; FIG. 4 is a top plan view thereof; FIG. 5 is a right elevational view thereof; and, FIG. 6 is a left elevational view thereof.

[56] References Cited

U.S. PATENT DOCUMENTS

D. 347,904 6/1994 Swanson D26/63

1 Claim, 3 Drawing Sheets



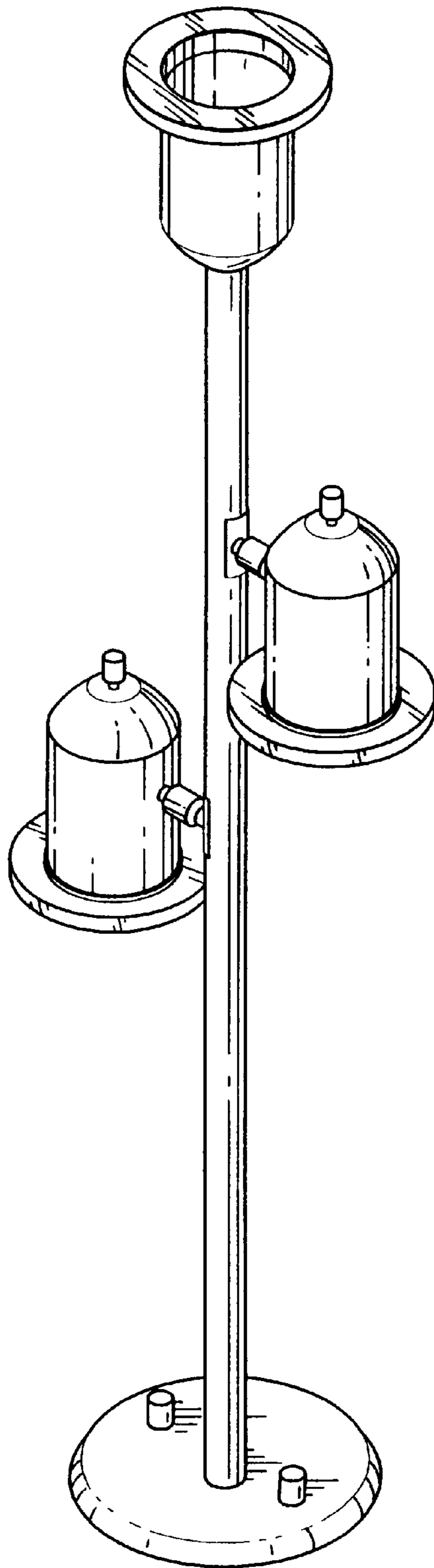


FIG. 1

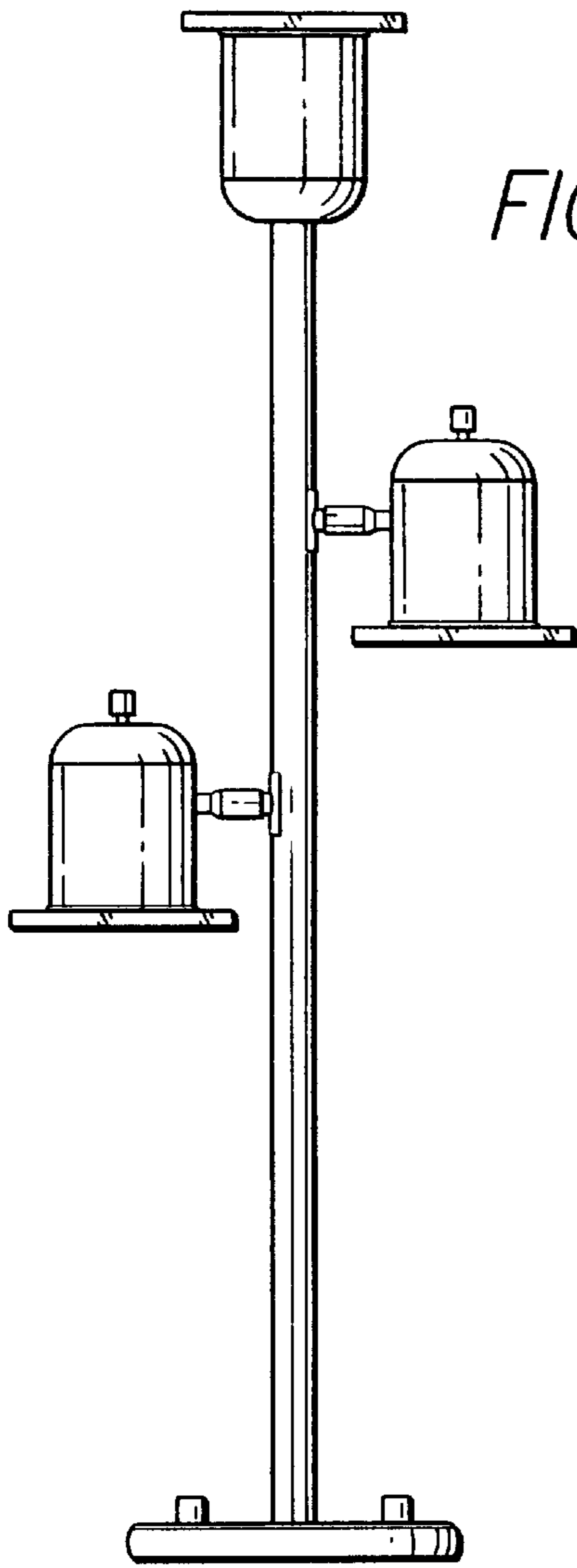


FIG. 2

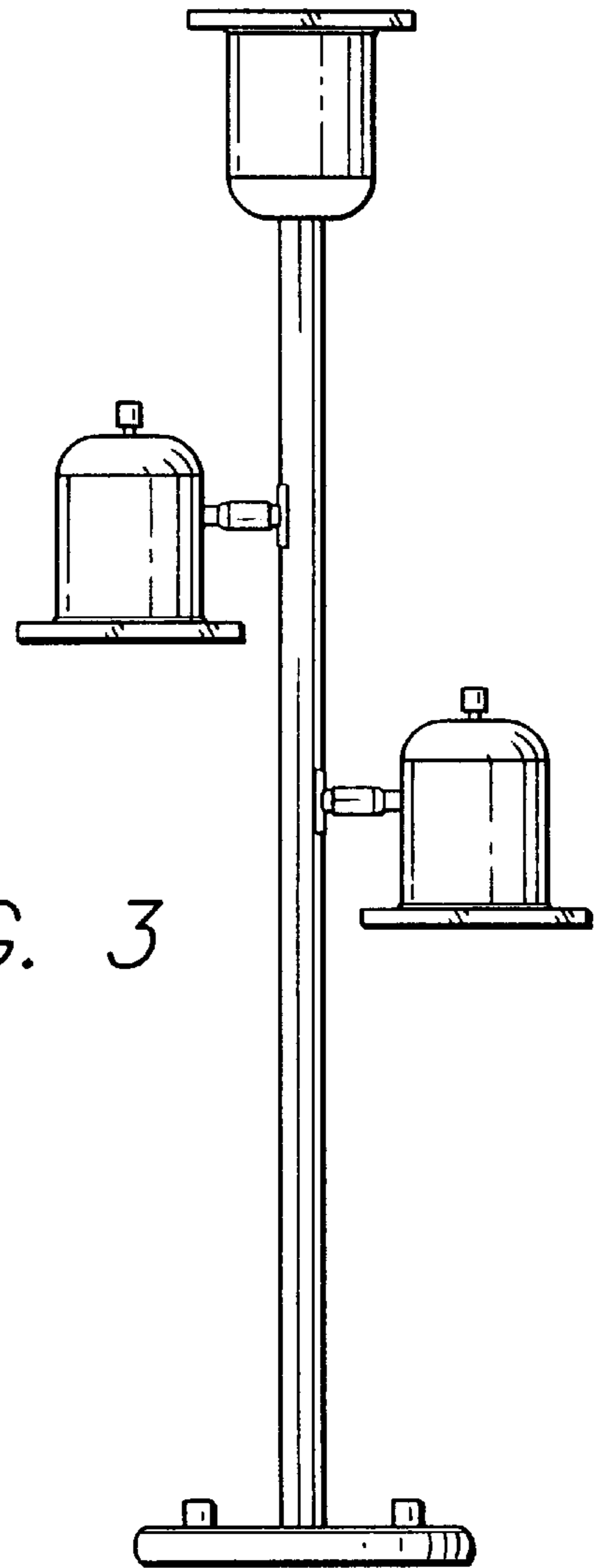


FIG. 3

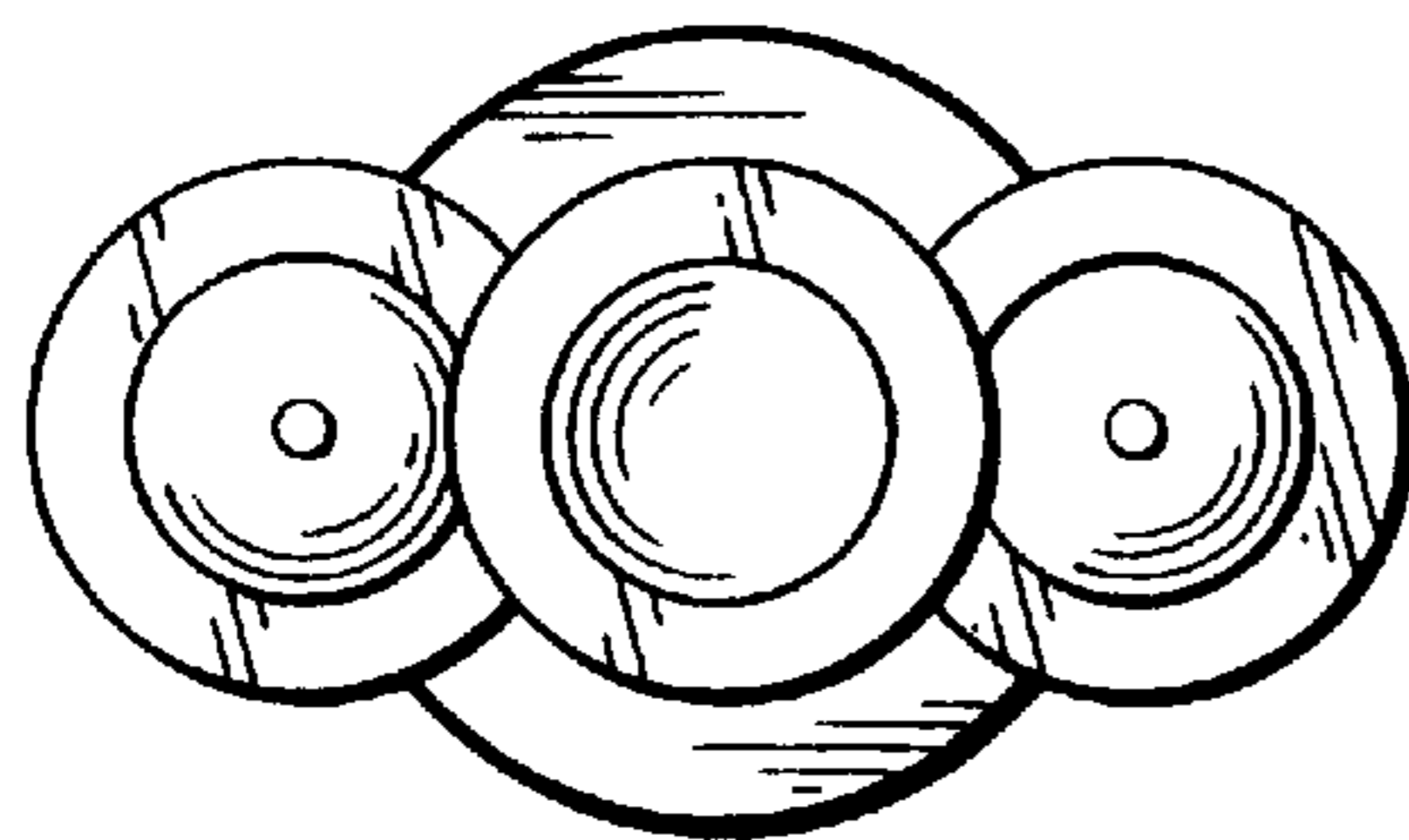


FIG. 4

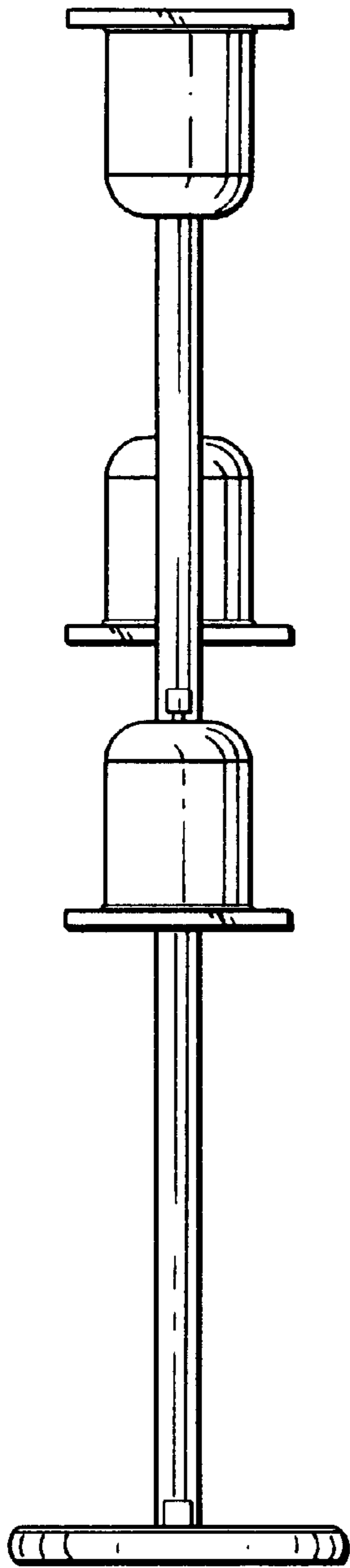


FIG. 5

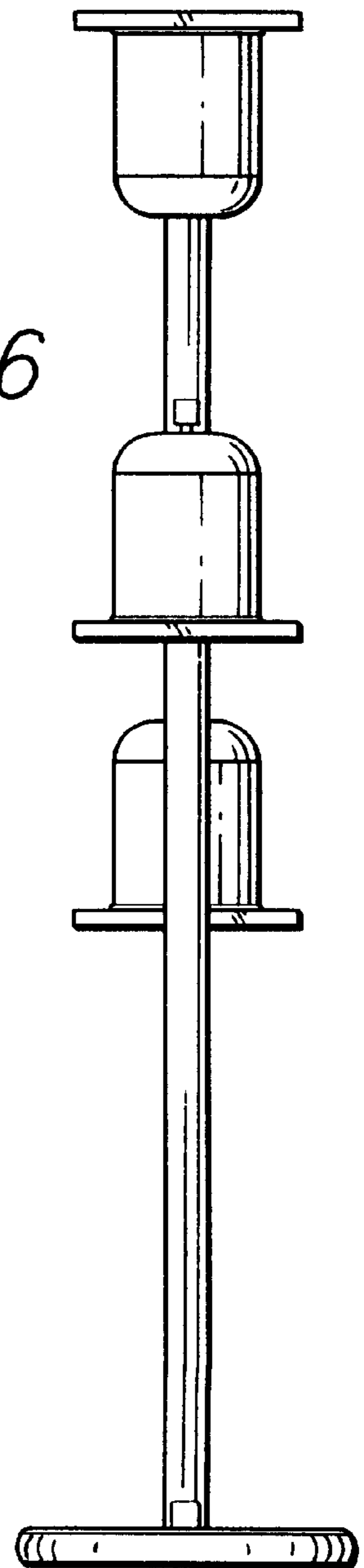


FIG. 6