



US00D426899S

# United States Patent [19]

[11] **Patent Number: Des. 426,899**

**Au Yeng**

[45] **Date of Patent: \*\* Jun. 20, 2000**

[54] **LIGHT BULB**

D. 392,057 3/1998 Chen ..... D26/2

[75] Inventor: **Cheung Hing Au Yeng**, Kwai Chung, The Hong Kong Special Administrative Region of the People's Republic of China

*Primary Examiner*—Marcus A. Jackson  
*Attorney, Agent, or Firm*—Alix Yale & Ristas LLP

[73] Assignee: **Philips Hong Kong Limited**, Kwai Chung, The Hong Kong Special Administrative Region of the People's Republic of China

[57] **CLAIM**

The ornamental design for a light bulb, as shown and described.

[\*\*] Term: **14 Years**

**DESCRIPTION**

[21] Appl. No.: **29/114,006**

FIG. 1 is a front perspective view of the light bulb showing my new design;

[22] Filed: **Nov. 16, 1999**

FIG. 2 is a front view of the light bulb of FIG. 1;

[51] **LOC (7) Cl.** ..... **26-04**

[52] **U.S. Cl.** ..... **D26/2**

[58] **Field of Search** ..... D26/1, 2, 3, 4; 313/1, 25, 315, 316, 317, 318, 578, 579

FIG. 3 is a left side view of the light bulb of FIG. 1;

FIG. 4 is a top plan view of the light bulb of FIG. 1;

FIG. 5 is a rear view of the light bulb of FIG. 1;

FIG. 6 is a right side view of the light bulb of FIG. 1; and,

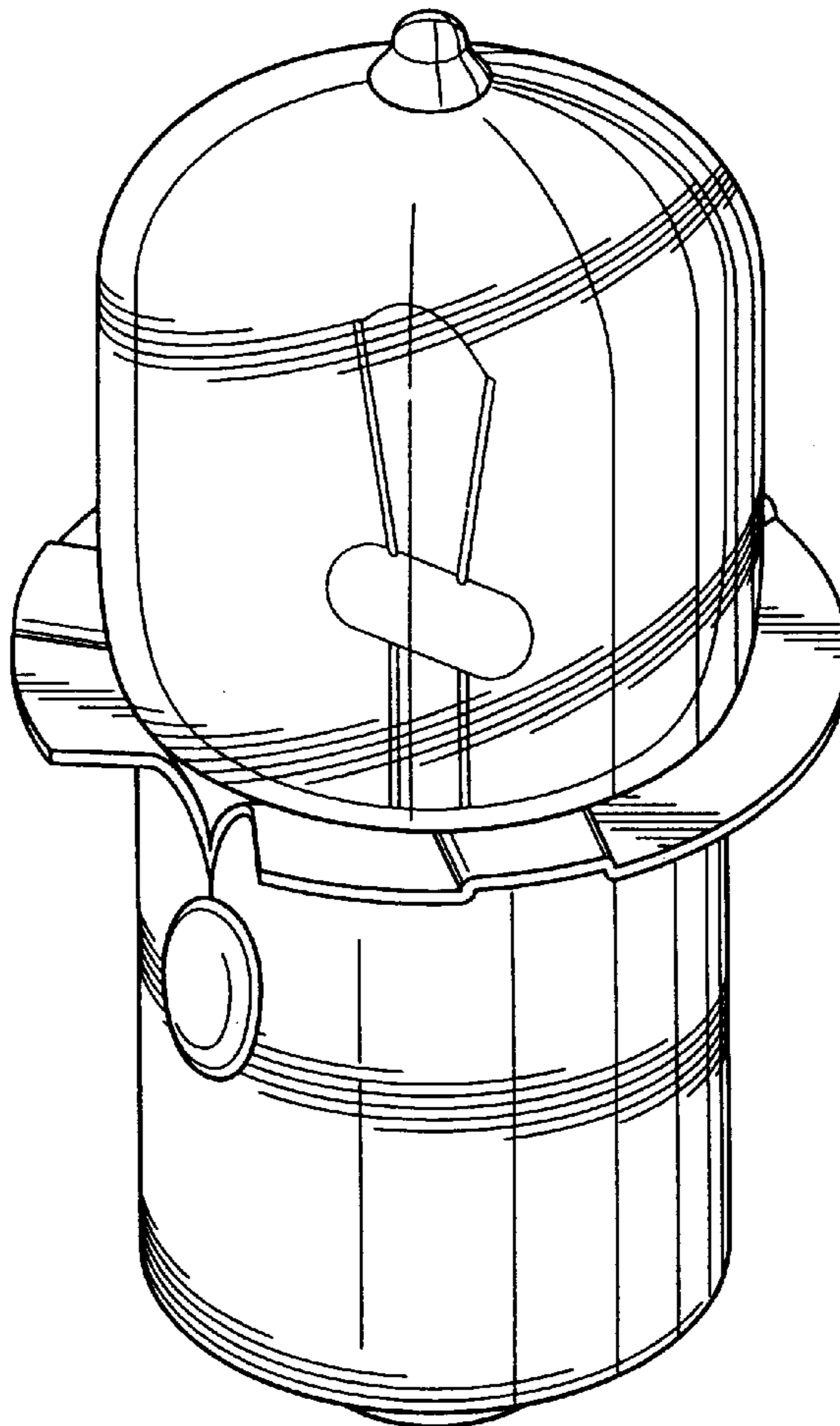
FIG. 7 is a bottom plan view of the light bulb of FIG. 1.

[56] **References Cited**

**U.S. PATENT DOCUMENTS**

D. 382,074 8/1997 Yan ..... D26/2

**1 Claim, 3 Drawing Sheets**



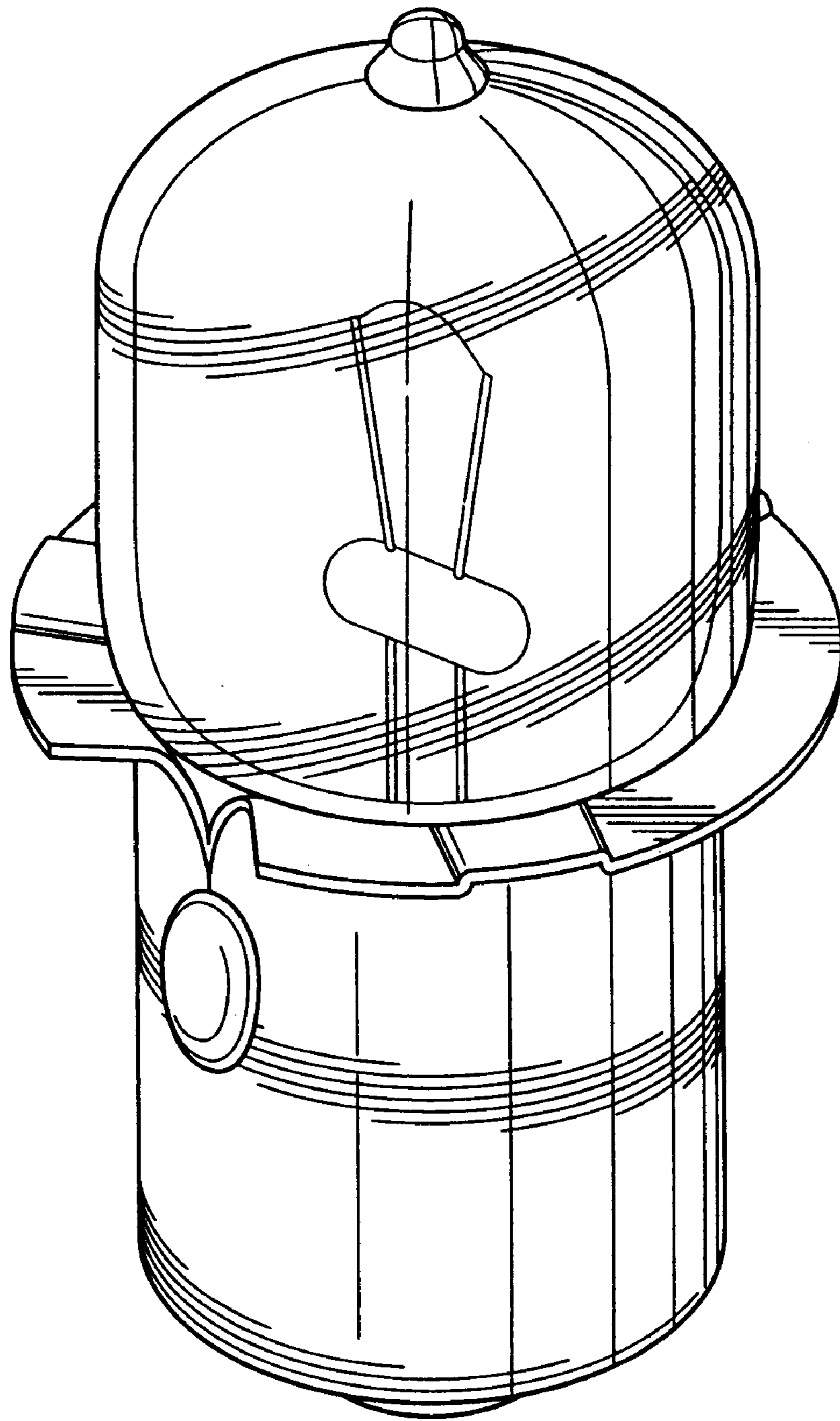


FIG. 1

FIG. 4

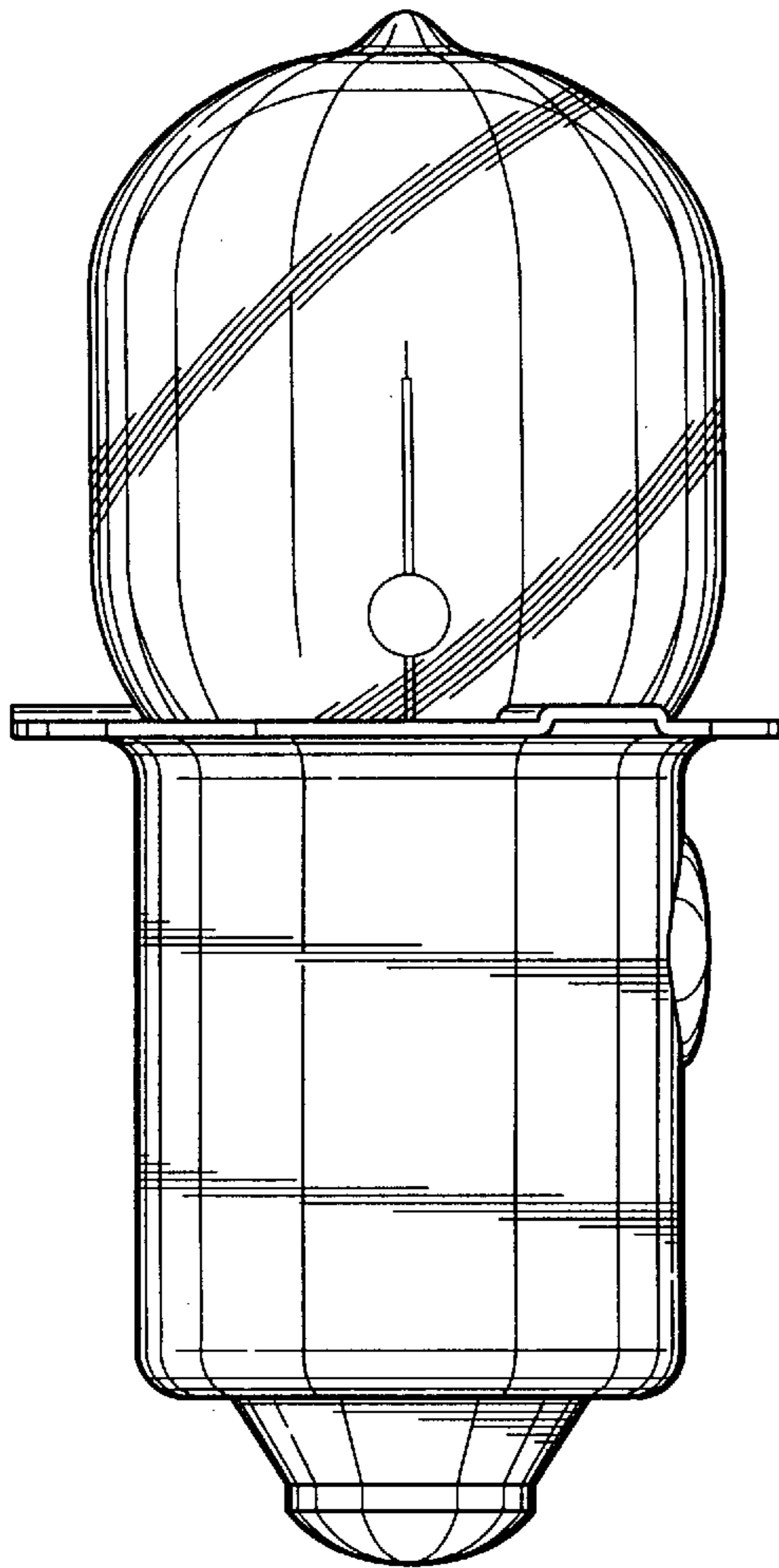
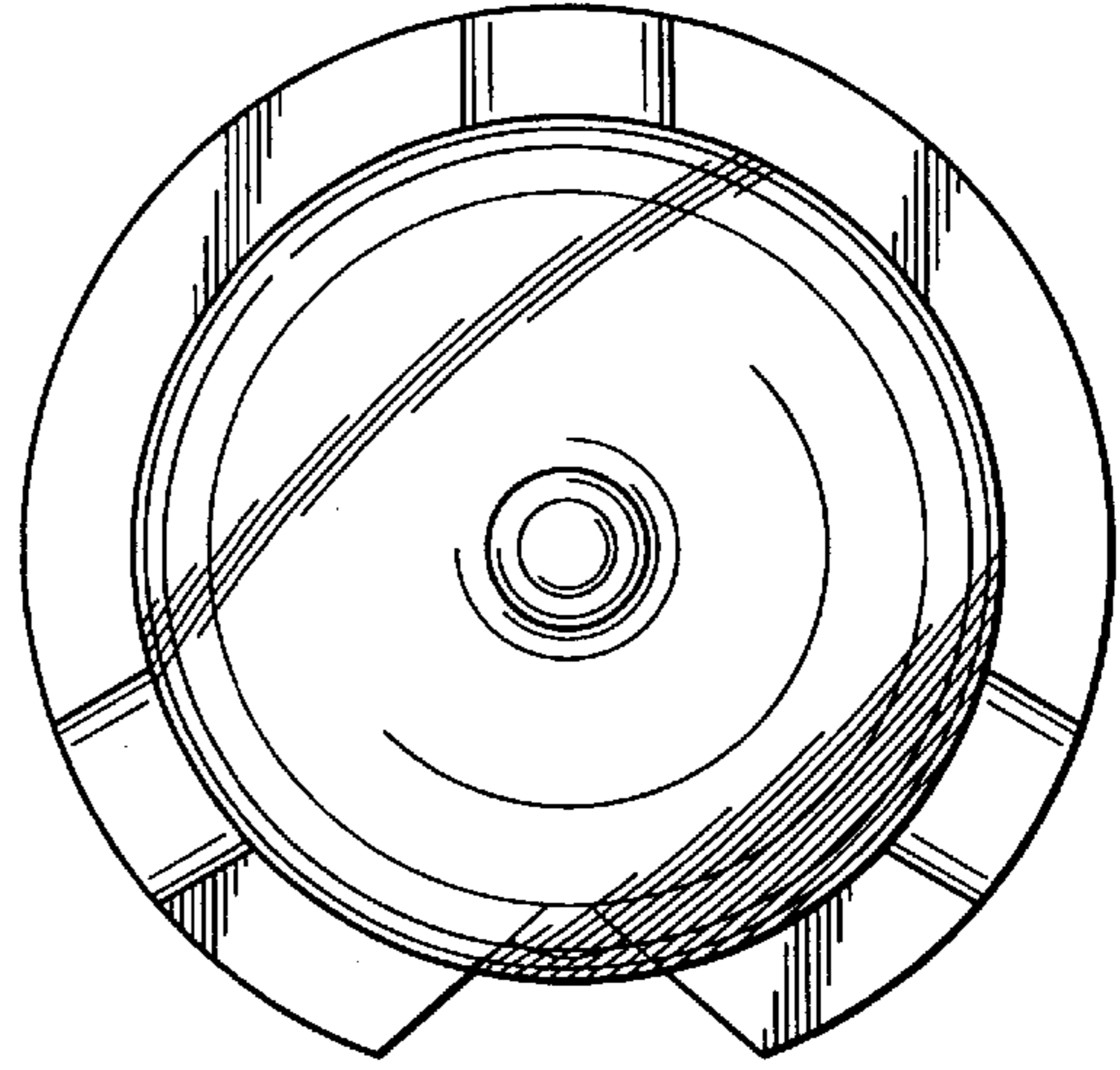


FIG. 3

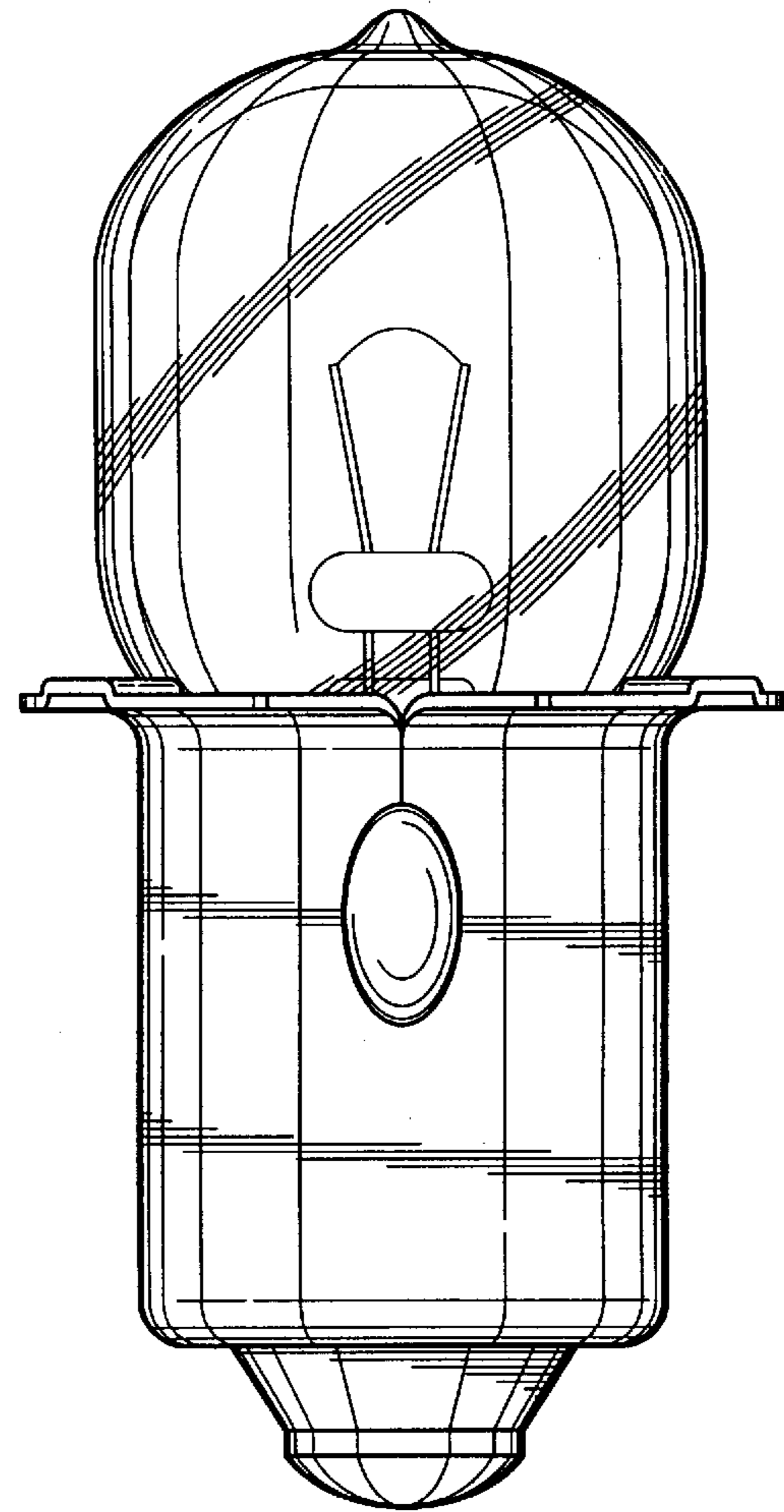


FIG. 2

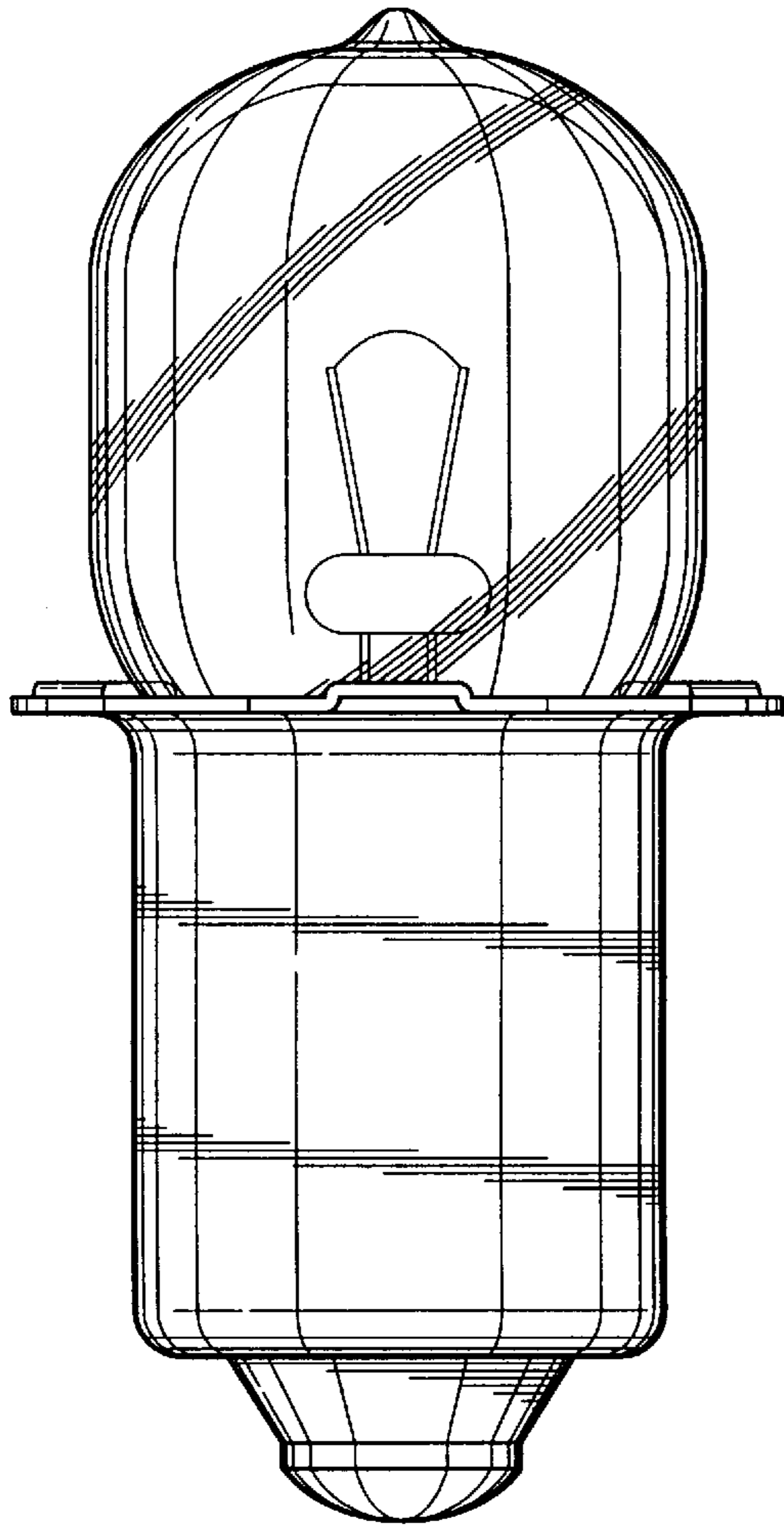


FIG. 5

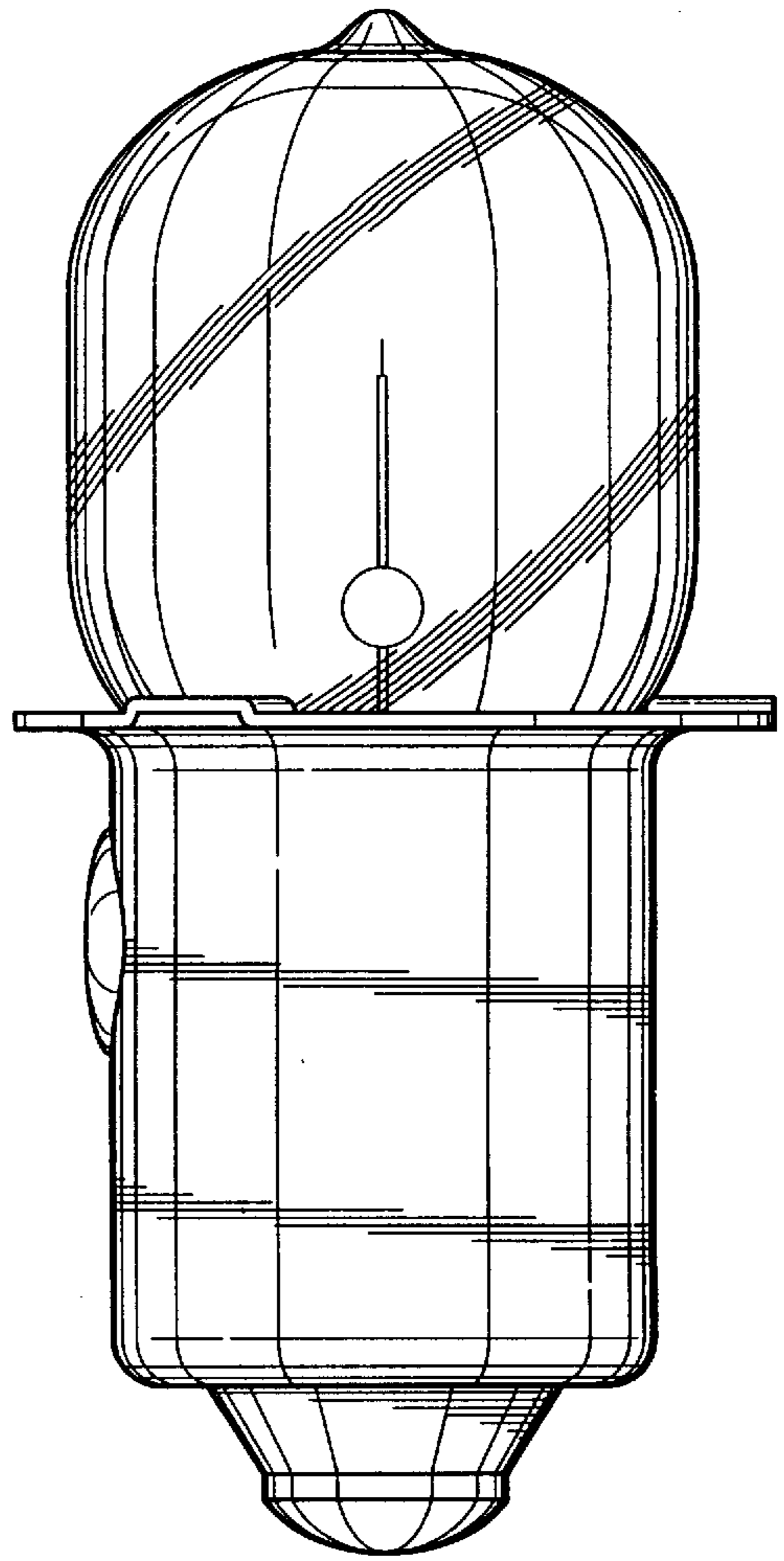


FIG. 6

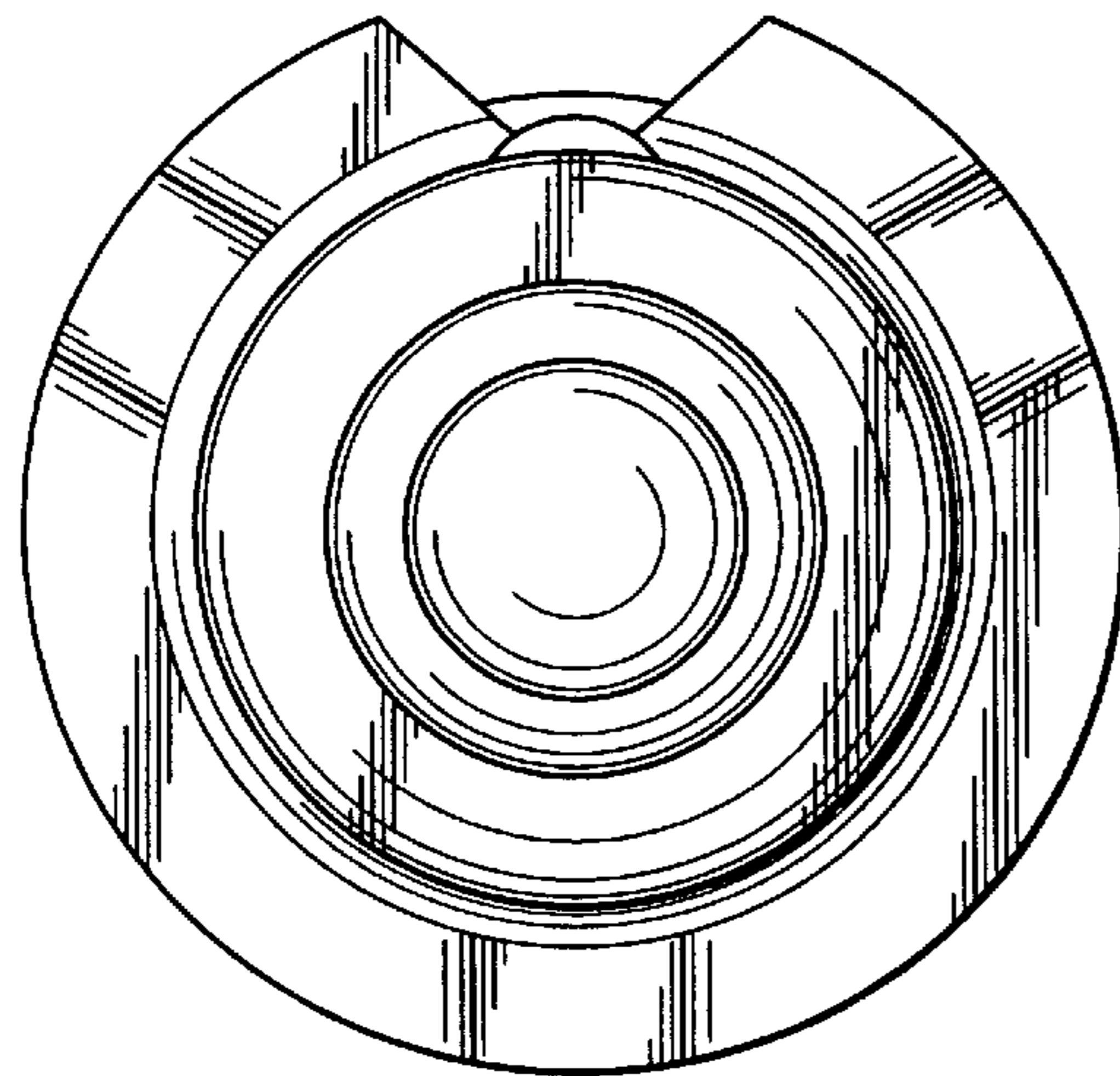


FIG. 7

UNITED STATES PATENT AND TRADEMARK OFFICE  
**CERTIFICATE OF CORRECTION**

PATENT NO. : Des. 426,899  
DATED : June 20, 2000  
INVENTOR(S) : Cheung Hing Au Yeung

Page 1 of 1

It is certified that error appears in the above-identified patent and that said Letters Patent is hereby corrected as shown below:

Title page,

Item [75], after "Inventor" delete "**Cheung Hing Au Yeng**" and insert -- **Cheung Hing Au Yeung** --.

Signed and Sealed this

Eighteenth Day of February, 2003

A handwritten signature in black ink, appearing to read "James E. Rogan", with a horizontal line drawn underneath it.

JAMES E. ROGAN  
*Director of the United States Patent and Trademark Office*