



US00D426893S

# United States Patent [19] Pfiffner

[11] **Patent Number: Des. 426,893**  
[45] **Date of Patent: \*\* Jun. 20, 2000**

[54] **COMBINED BABY BOTTLE AND TOY**

[76] Inventor: **Jacqueline B. Pfiffner**, Koll Center,  
501 W. Broadway, Suite 550, San  
Diego, Calif. 92101

[\*\*] Term: **14 Years**

[21] Appl. No.: **29/100,334**

[22] Filed: **Feb. 8, 1999**

[51] **LOC (7) Cl.** ..... **07-01**

[52] **U.S. Cl.** ..... **D24/198**

[58] **Field of Search** ..... D24/198, 197;  
215/11.1, 11.2, 11.3, 11.4, 11.5, 11.6

[56] **References Cited**

**U.S. PATENT DOCUMENTS**

D. 74,251	1/1928	Bettoli	.....	D24/198
D. 145,611	9/1946	Butterfield	.....	D24/198 X
D. 191,426	9/1961	Swanson	.....	D24/198
D. 327,128	6/1992	Nightingale	.....	D24/199
D. 330,084	10/1992	Kwang	.....	D24/198

D. 330,939 11/1992 Imai ..... D24/198  
D. 379,659 6/1997 Alston ..... D24/198

*Primary Examiner*—Stella Reid  
*Attorney, Agent, or Firm*—Presseisen & Reidelbach, P.C.;  
Charles F. Reidelbach, Jr.

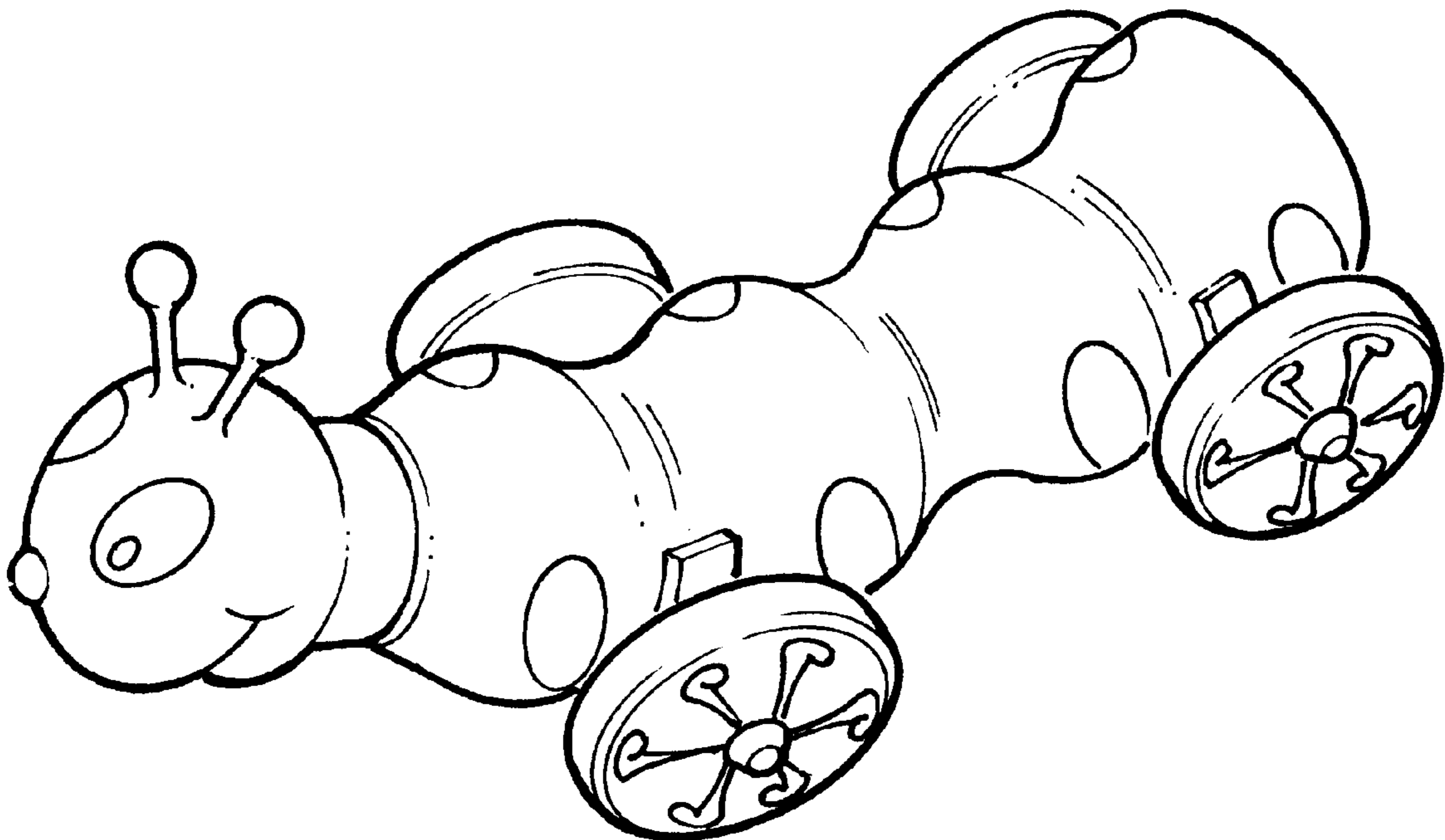
[57] **CLAIM**

The ornamental design for a combined baby bottle and toy, as shown and described.

**DESCRIPTION**

FIG. 1 is a perspective view of a combined baby bottle and toy, showing my new design;  
FIG. 2 is an exploded left side elevational view thereof;  
FIG. 3 is a front elevational view of the clip on wheel portion;  
FIG. 4 is a top plan view thereof, in assembled condition;  
FIG. 5 is a right side elevational view thereof;  
FIG. 6 is a bottom plan view thereof;  
FIG. 7 is a front elevational view thereof; and,  
FIG. 8 is a rear elevational view thereof.

**1 Claim, 2 Drawing Sheets**



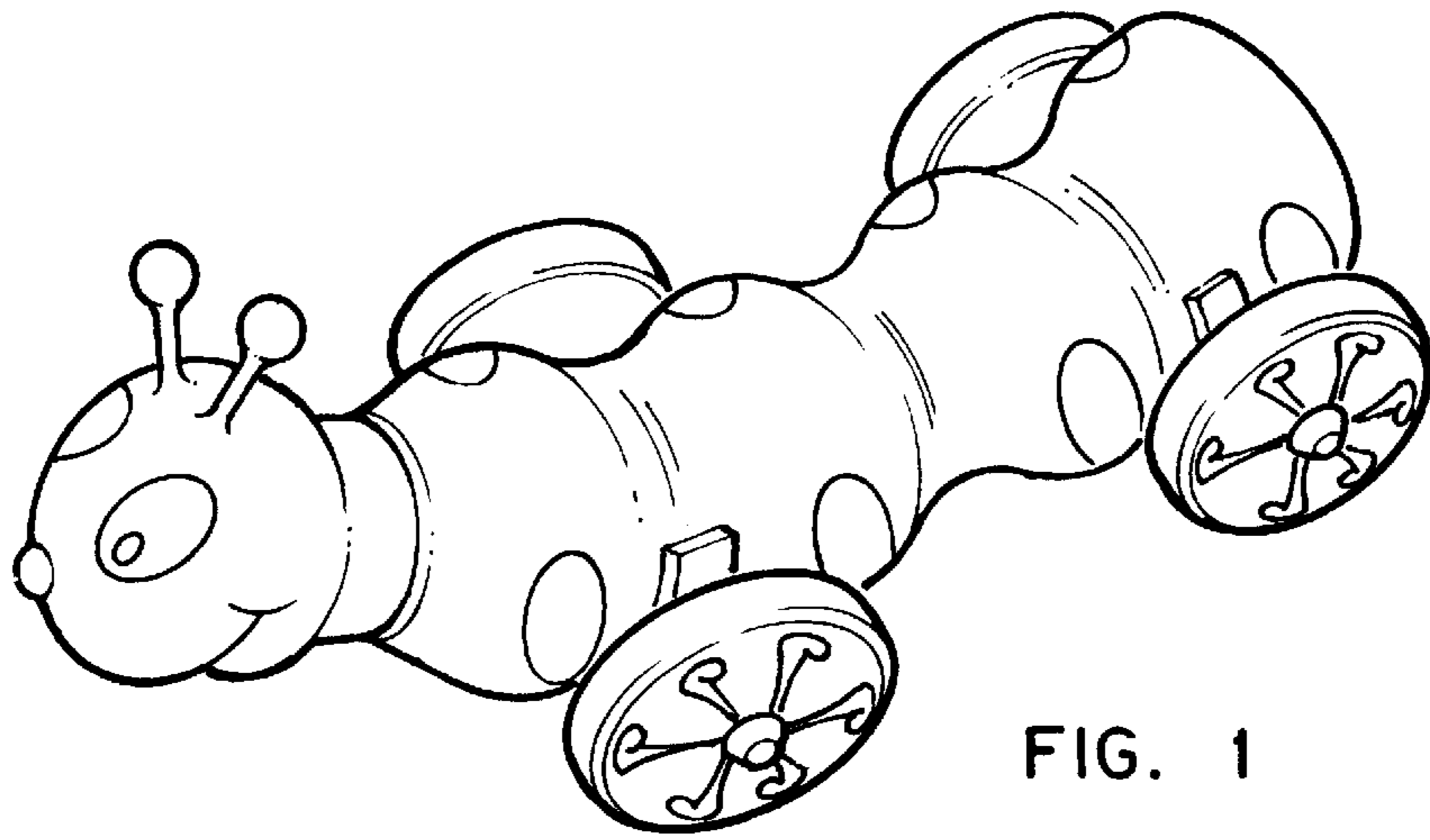


FIG. 1

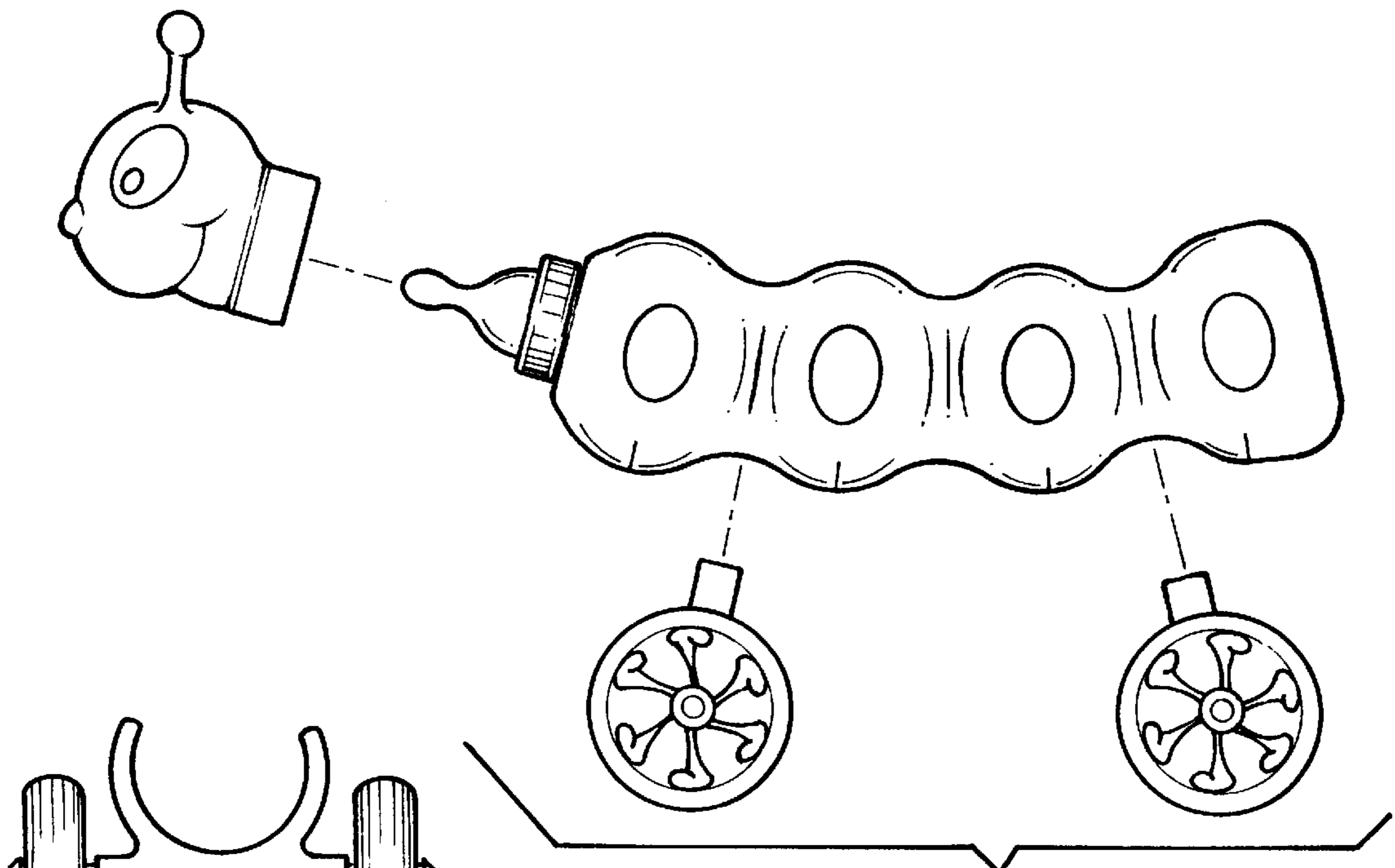


FIG. 2

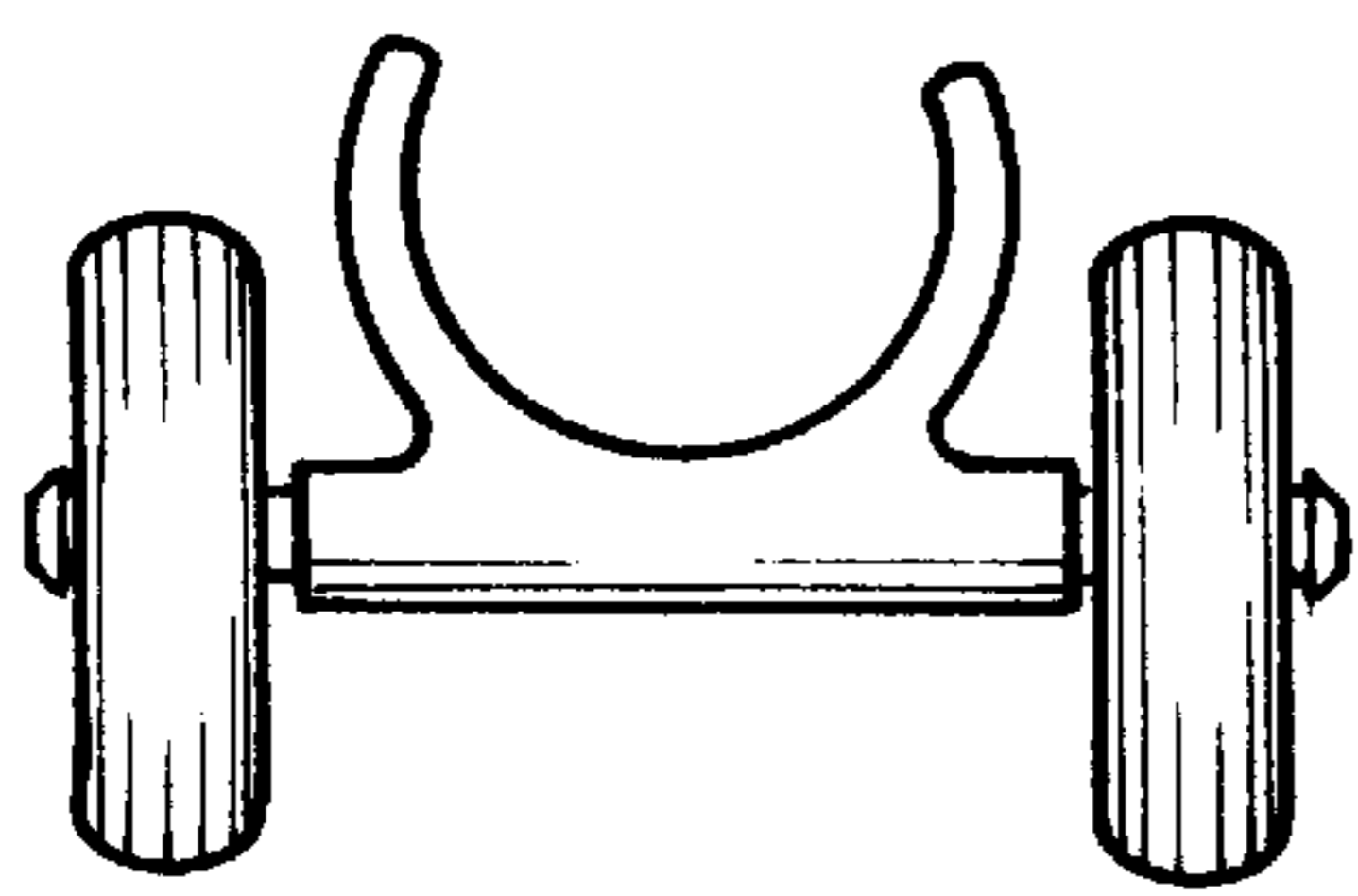


FIG. 3

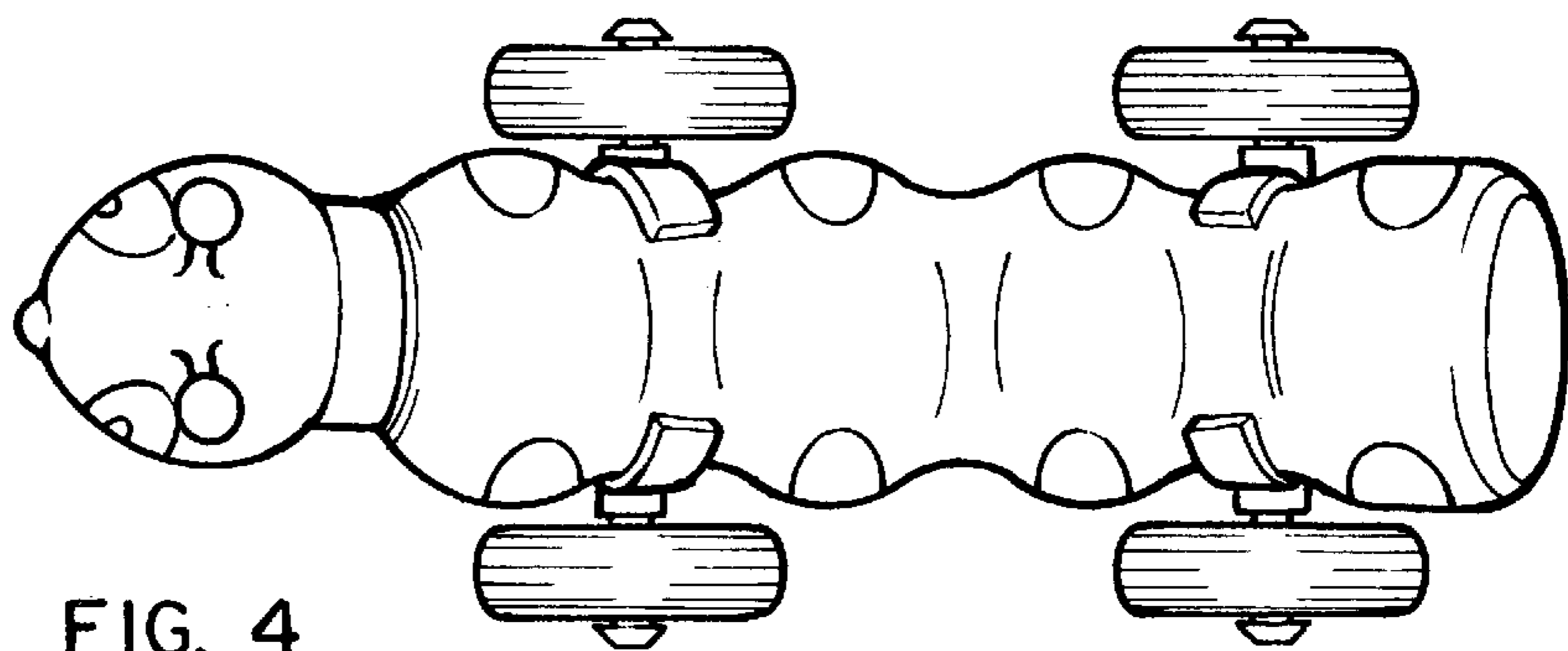


FIG. 4

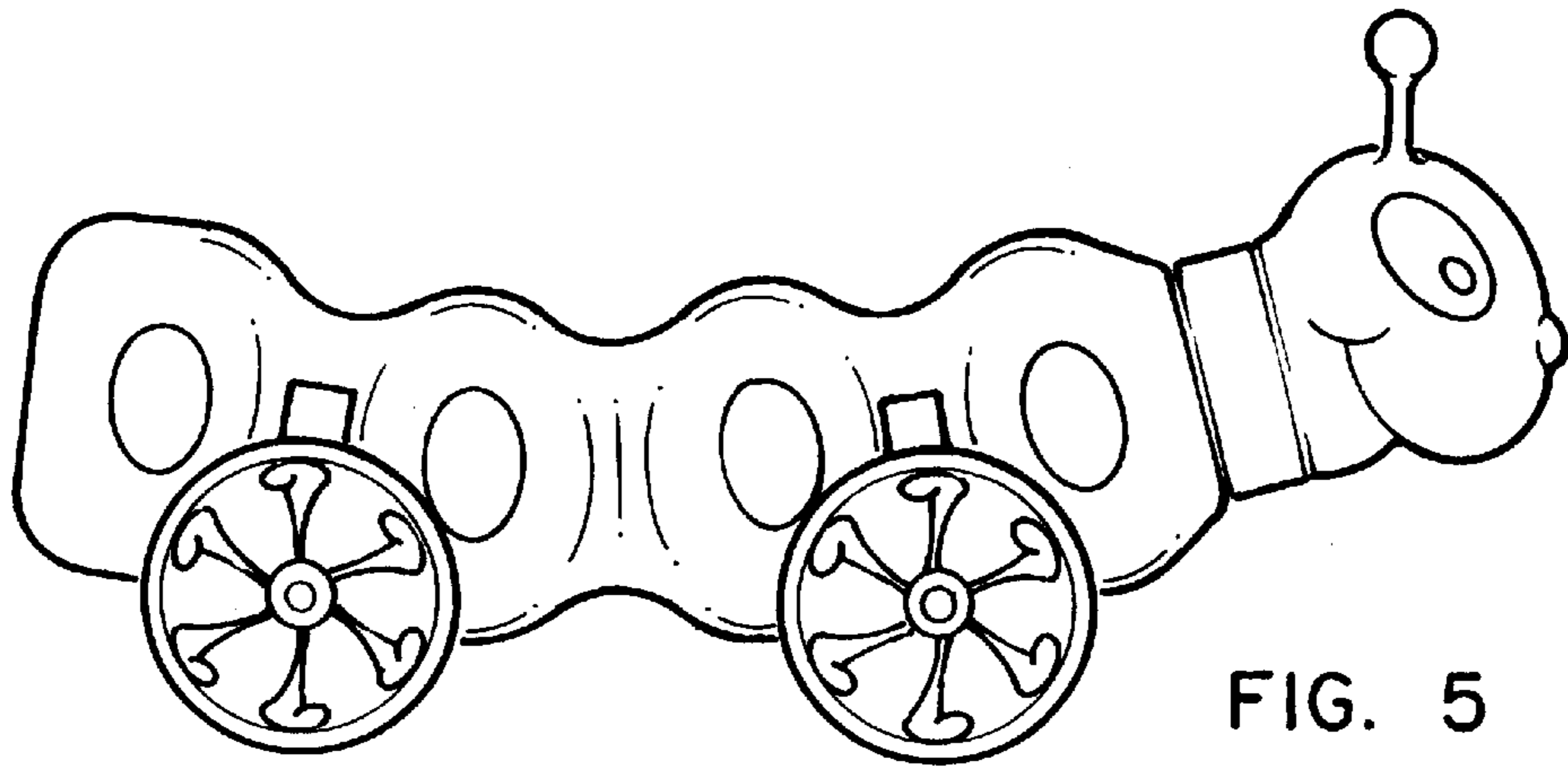


FIG. 5

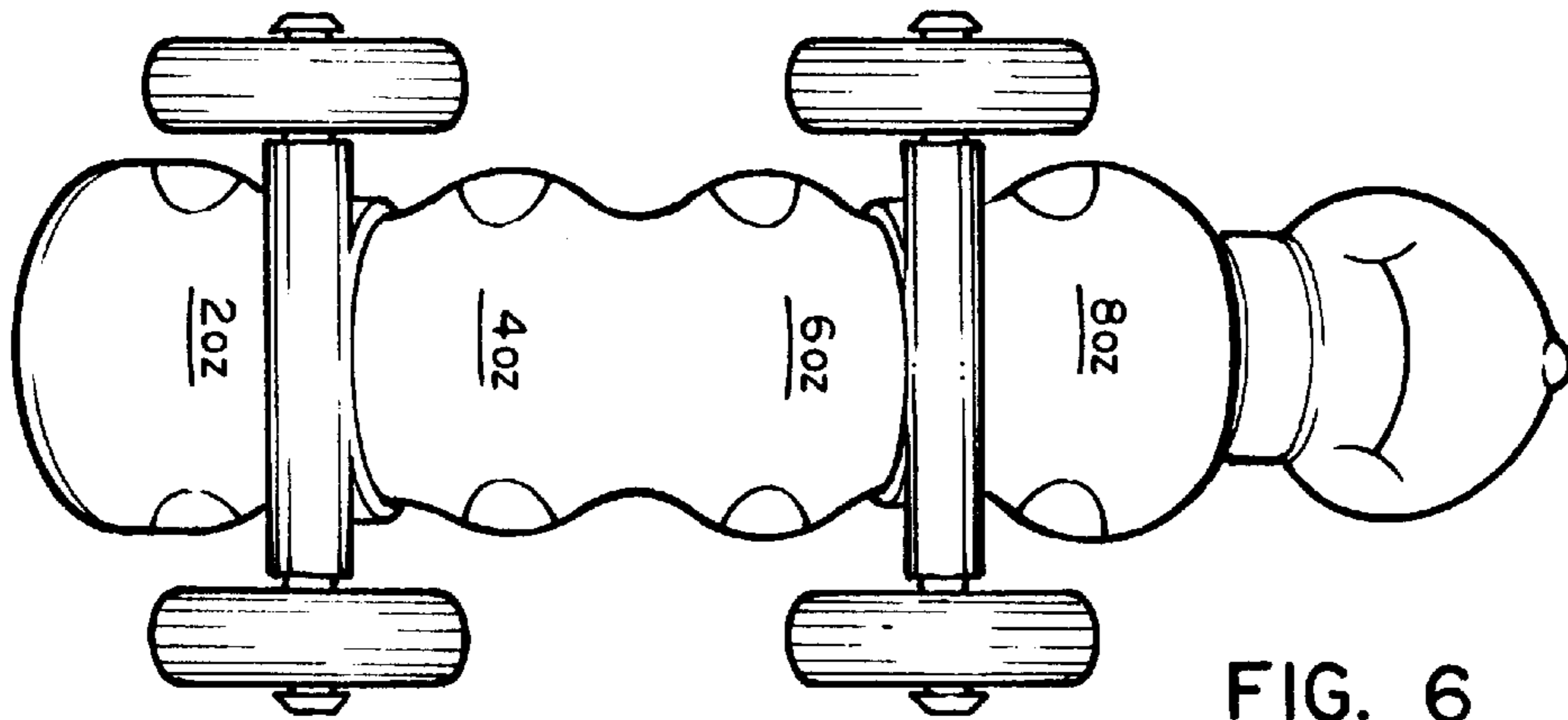


FIG. 6

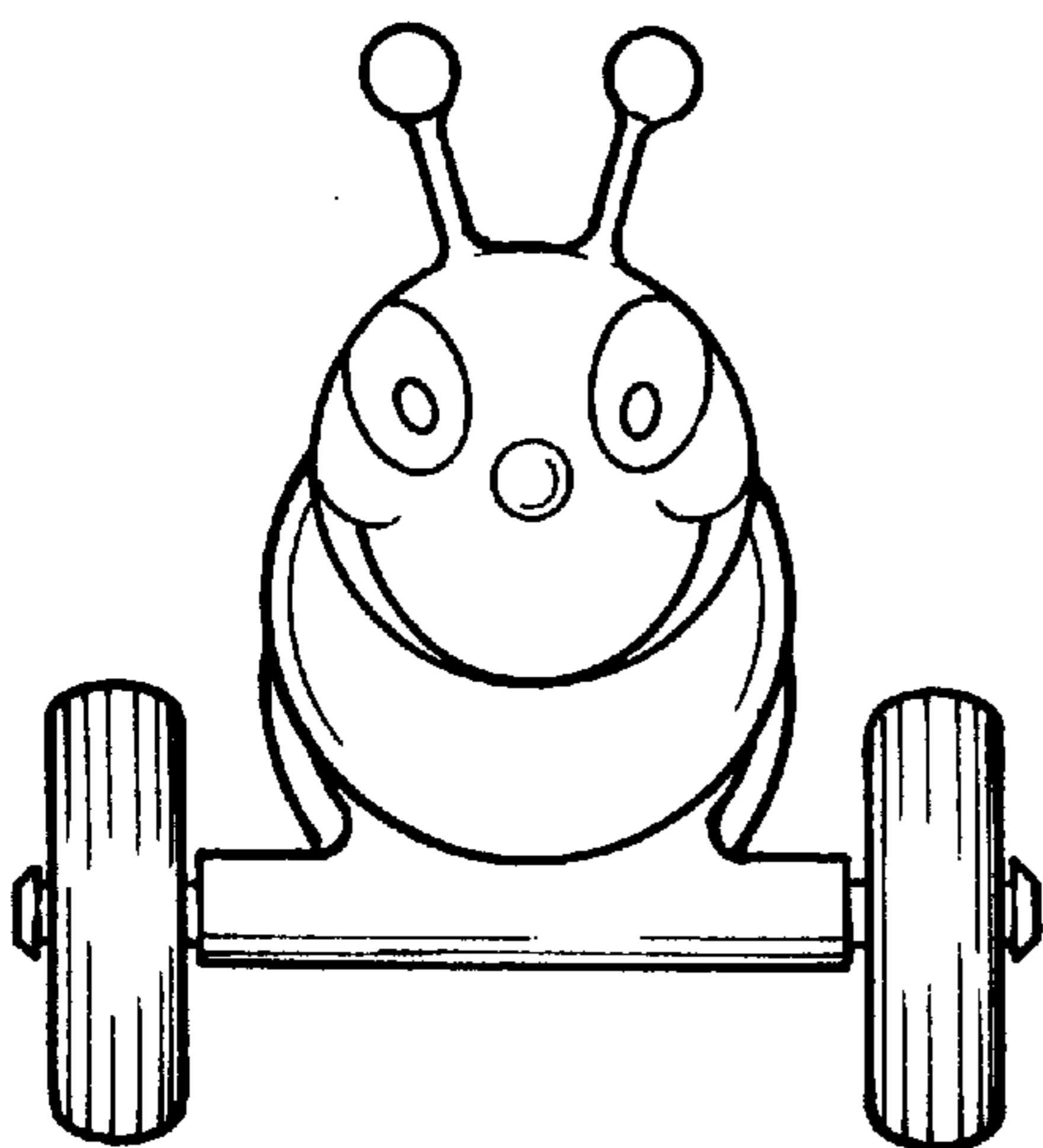


FIG. 7

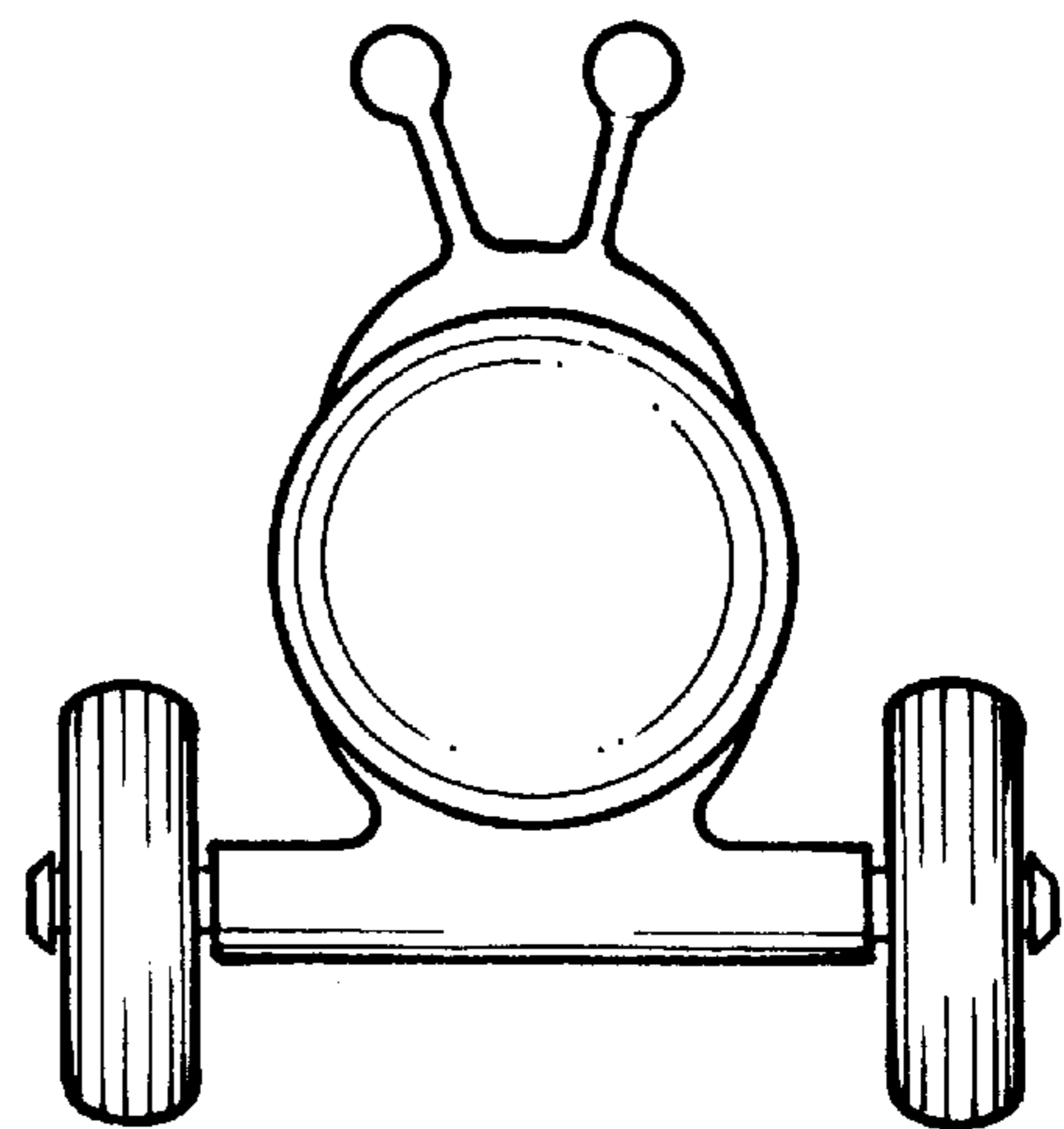


FIG. 8