



US00D426892S

# United States Patent [19]

[11] Patent Number: Des. 426,892

Beale et al.

[45] Date of Patent: \*\* Jun. 20, 2000

[54] **MEDICAL INJECTOR**

[75] Inventors: **Matt Beale**, Pittsburgh, Pa.; **Chinmoy Raval**, Manalapan, N.J.; **Peter Sellar**; **Matthew Goodworth**, both of Pittsburgh, Pa.

[73] Assignee: **Medrad, Inc.**, Indianola, Pa.

[\*\*] Term: **14 Years**

[21] Appl. No.: **29/107,155**

[22] Filed: **Jun. 29, 1999**

[51] **LOC (7) Cl.** ..... **24-01**

[52] **U.S. Cl.** ..... **D24/160**

[58] **Field of Search** ..... D24/158, 160; 600/437, 458, 431, 432; 128/DIG. 1; 604/24, 23, 26, 154, 152

4,677,980	7/1987	Reilly et al. .	
4,695,271	9/1987	Goethel .	
5,249,579	10/1993	Hobbs et al. ....	128/662.02
5,346,470	9/1994	Hobbs et al. ....	604/24
5,383,858	1/1995	Reilly et al. .	
5,451,211	9/1995	Neer et al. ....	604/154
5,494,036	2/1996	Uber, III et al. .	
5,573,515	11/1996	Wilson et al. ....	604/236
5,658,261	8/1997	Neer et al. .	
5,779,675	7/1998	Reilly et al. .	
5,868,710	2/1999	Battiato et al. .	
5,947,929	9/1999	Trull .....	604/152
5,997,502	12/1999	Reilly et al. ....	604/67

*Primary Examiner*—Stella Reid  
*Attorney, Agent, or Firm*—Gregory L. Bradley

[57] **CLAIM**

The ornamental design for a medical injector, substantially as shown and described.

**DESCRIPTION**

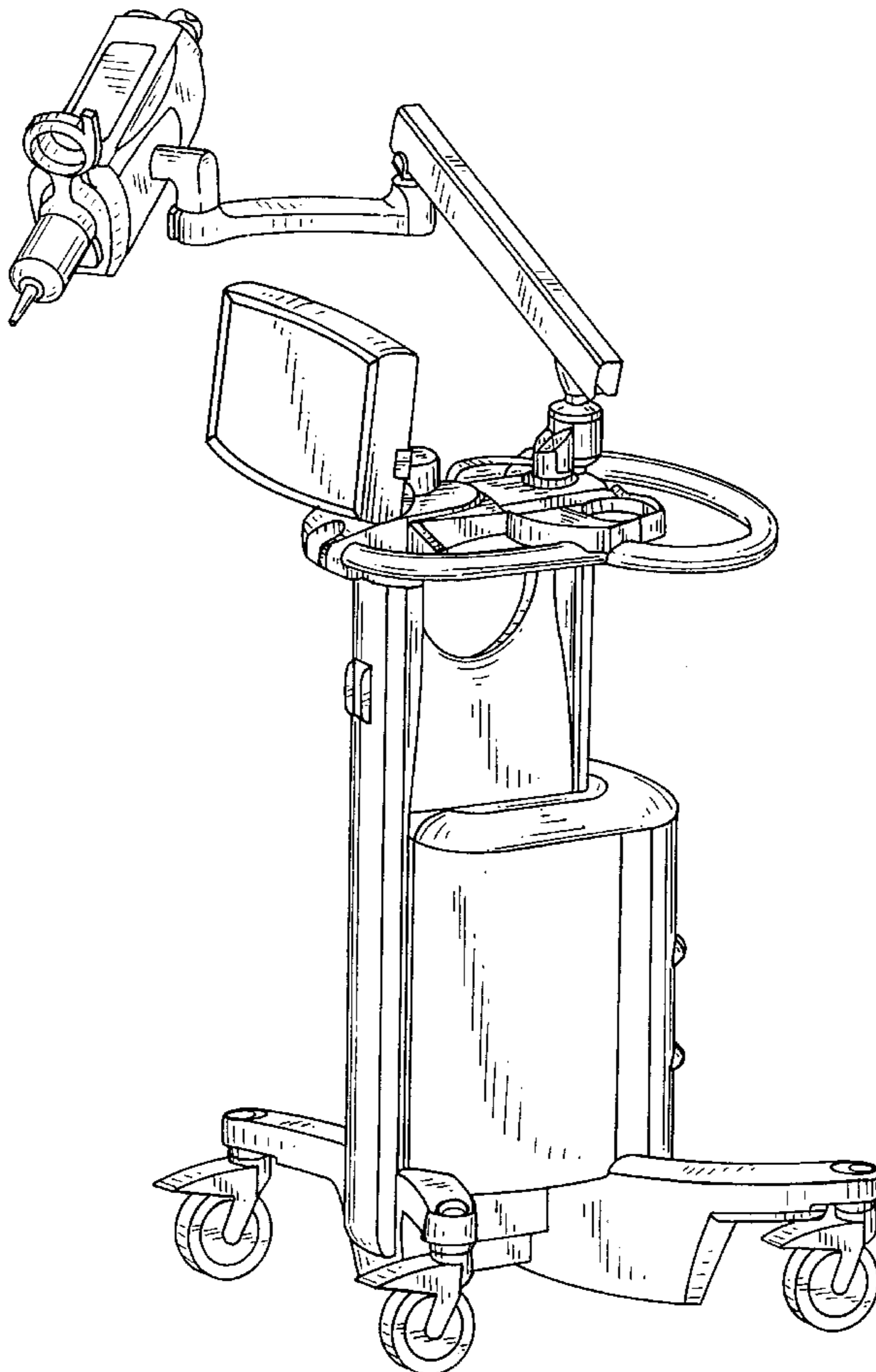
FIG. 1 is a rear view of the medical injector;  
FIG. 2 is a front view thereof;  
FIG. 3 is a left side view thereof;  
FIG. 4 is a right side view thereof;  
FIG. 5 is a top view thereof;  
FIG. 6 is a bottom view thereof; and,  
FIG. 7 is a right perspective view thereof.

**1 Claim, 7 Drawing Sheets**

[56] **References Cited**

**U.S. PATENT DOCUMENTS**

Re. 35,979	12/1998	Reilly et al. .
D. 391,638	3/1998	Coons et al. .
D. 392,388	3/1998	Coons et al. .
3,623,474	11/1971	Heilman et al. .
3,701,345	10/1972	Heilman et al. .
4,006,736	2/1977	Kranys et al. .
4,650,465	3/1987	Langer et al. .



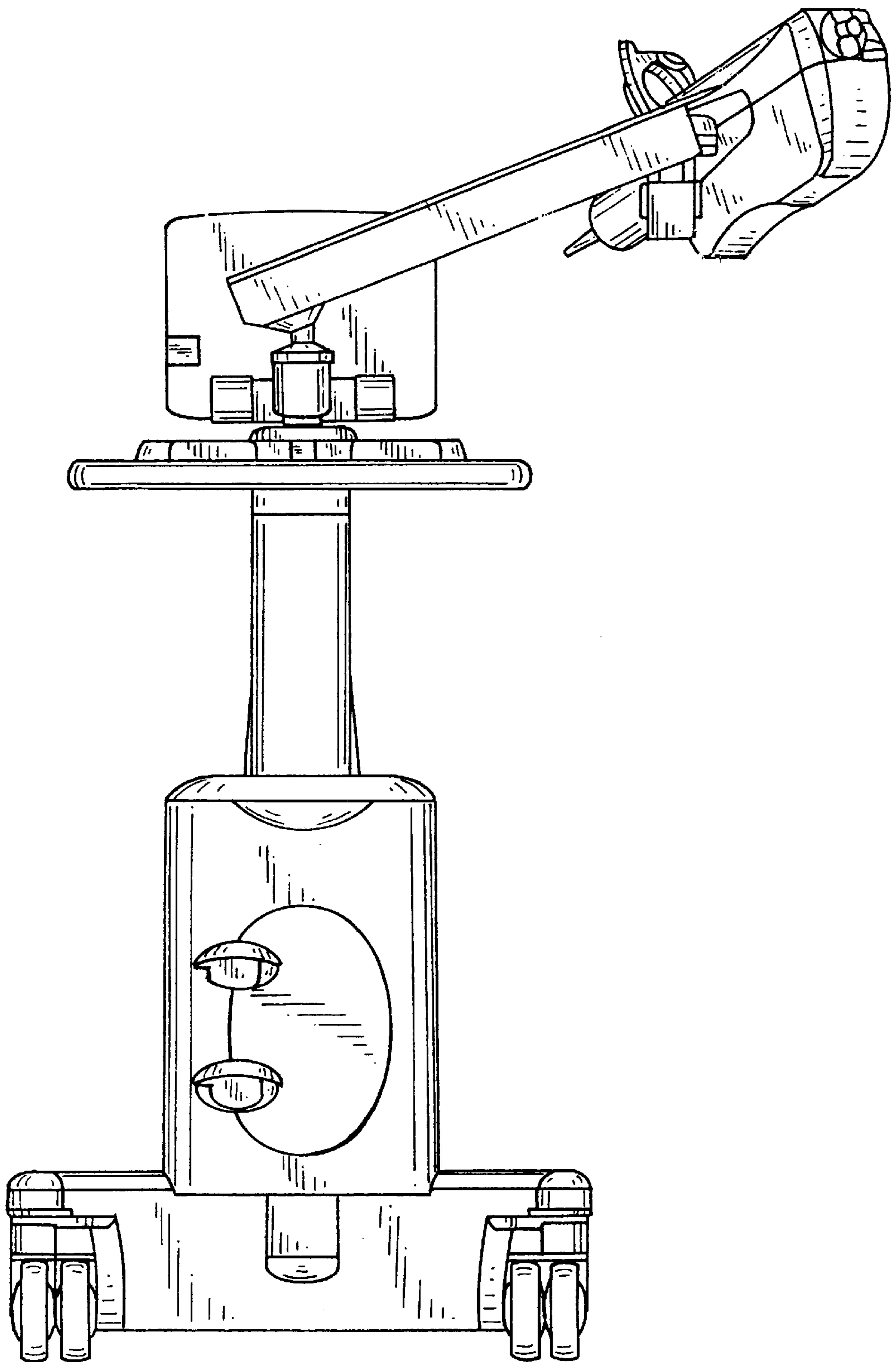


FIG. 1

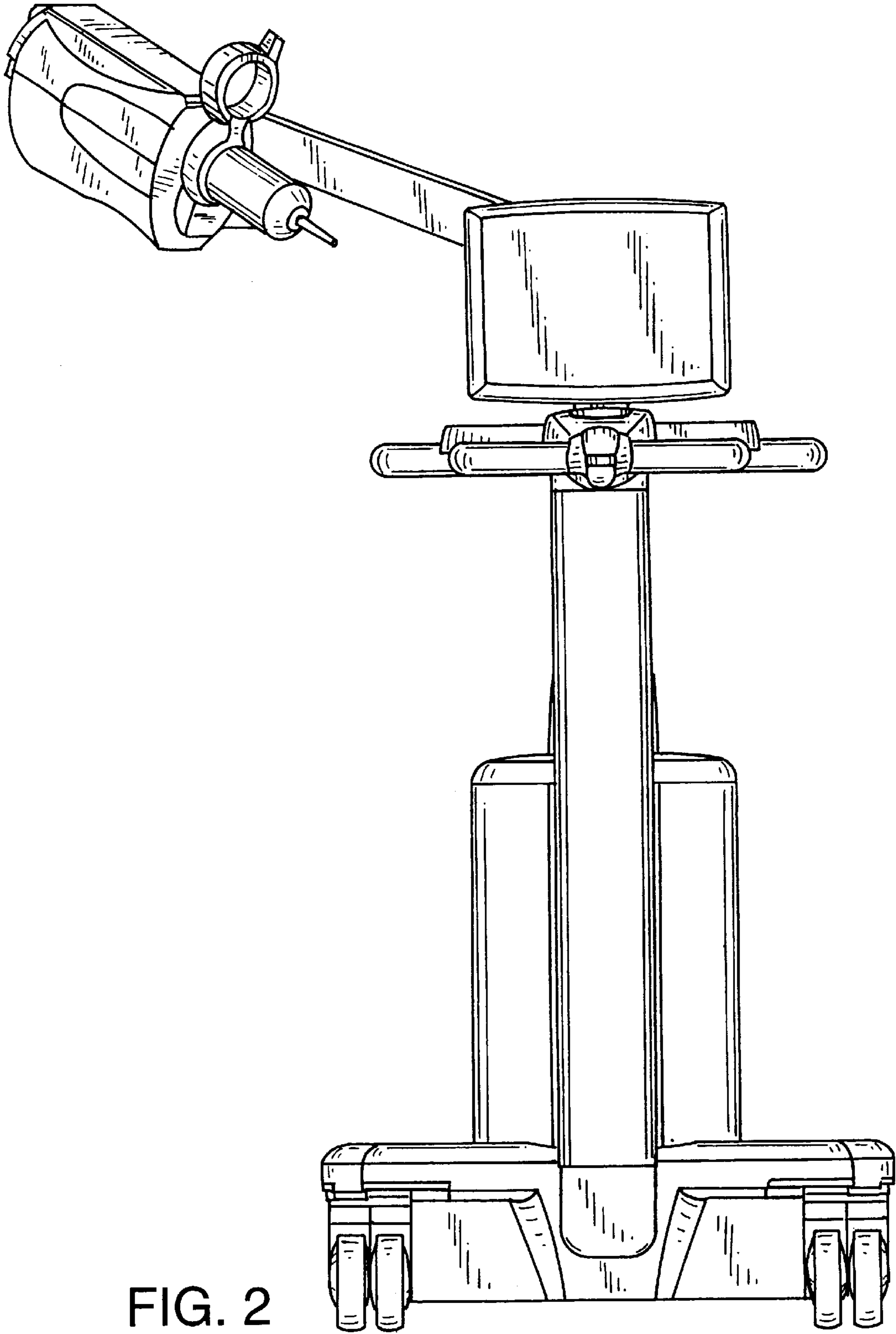


FIG. 2

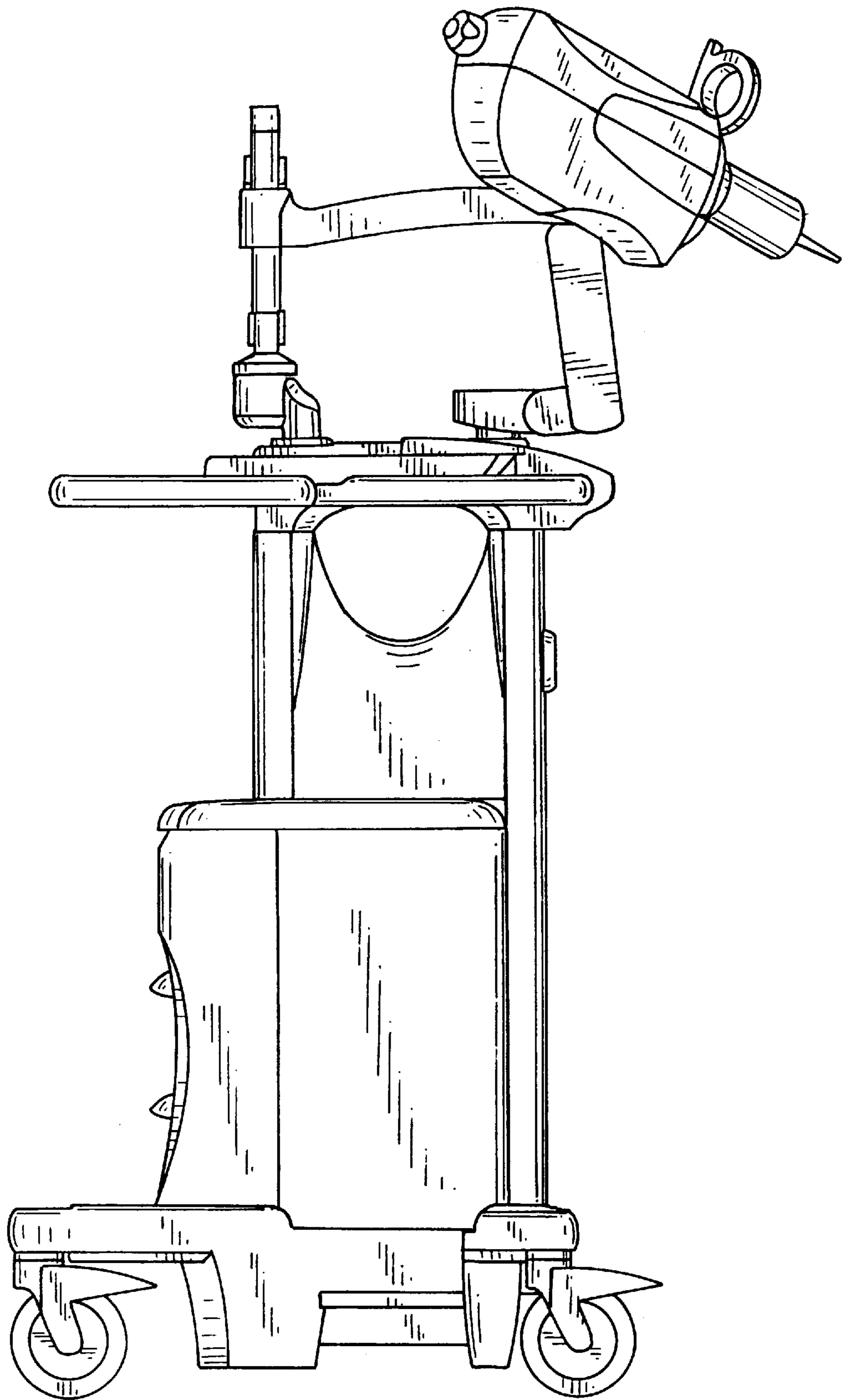


FIG. 3

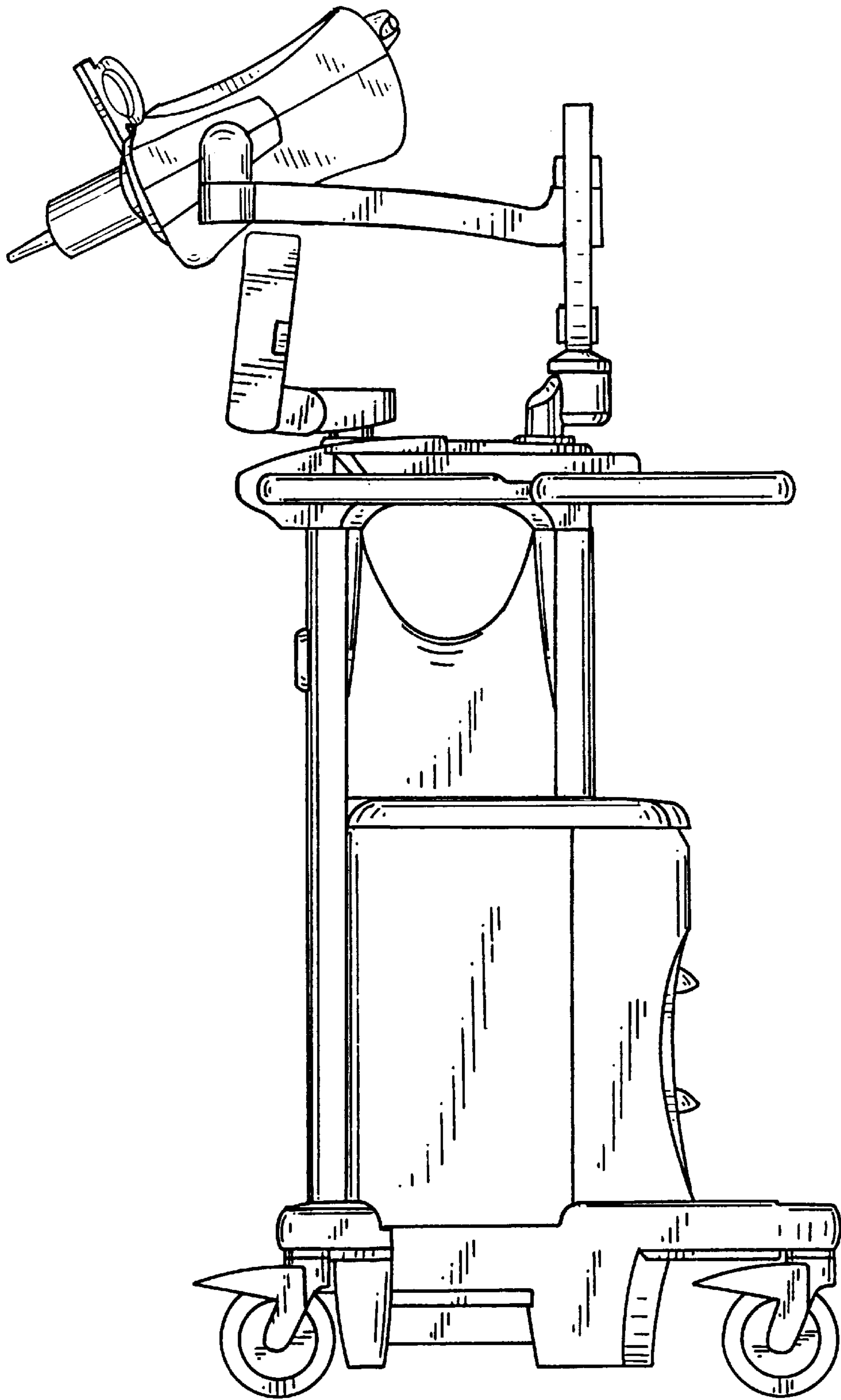


FIG. 4

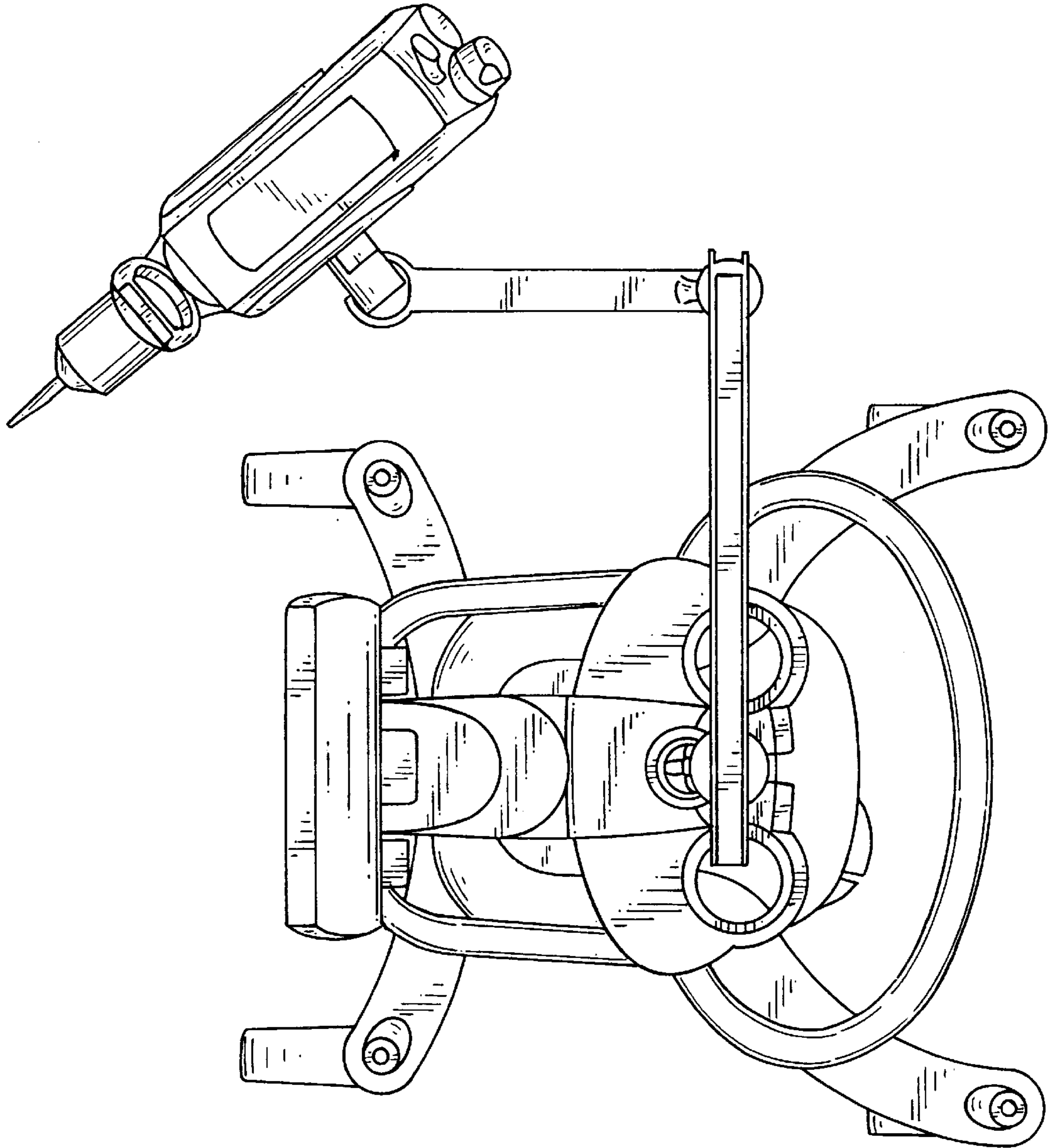


FIG. 5

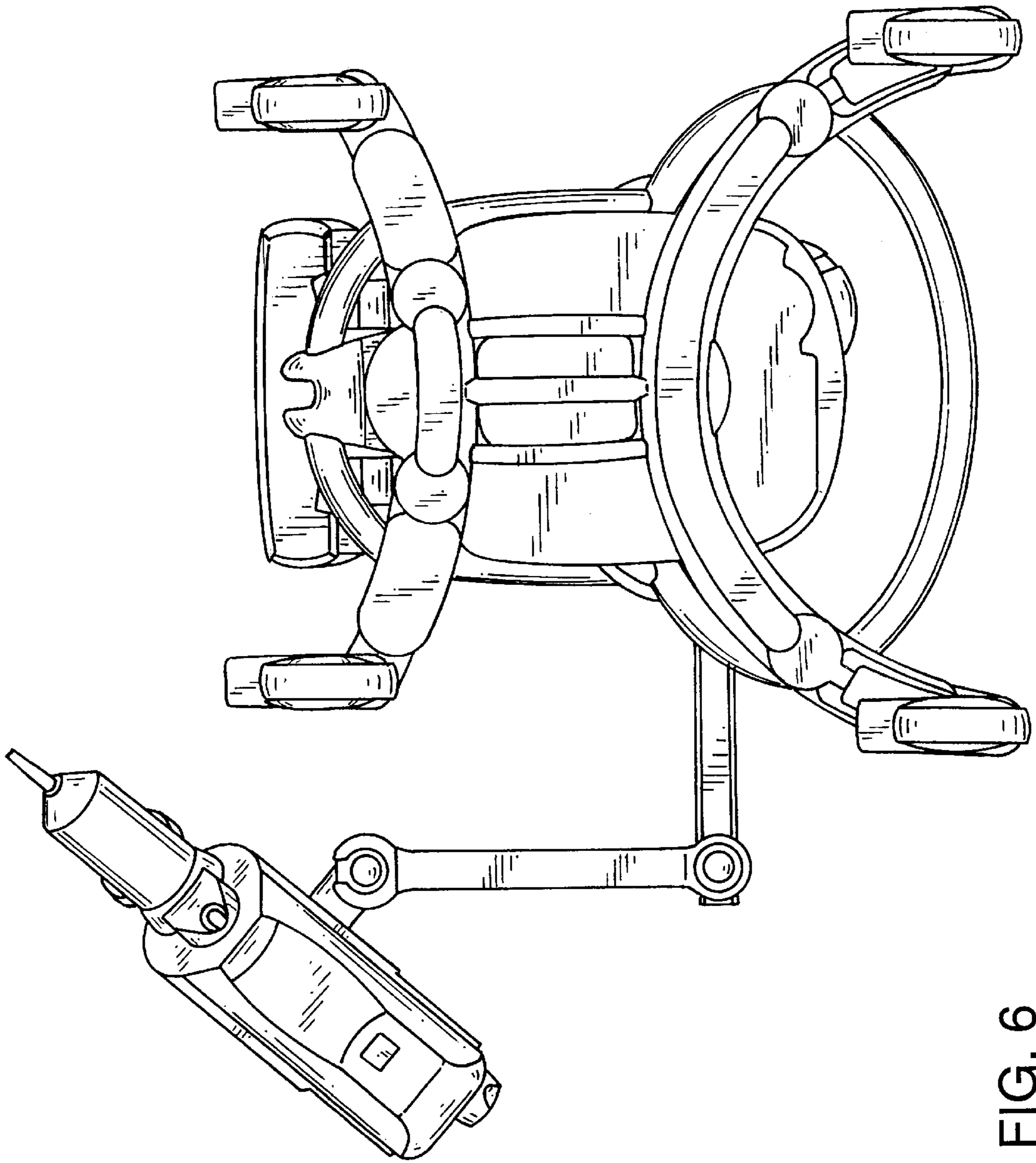


FIG. 6

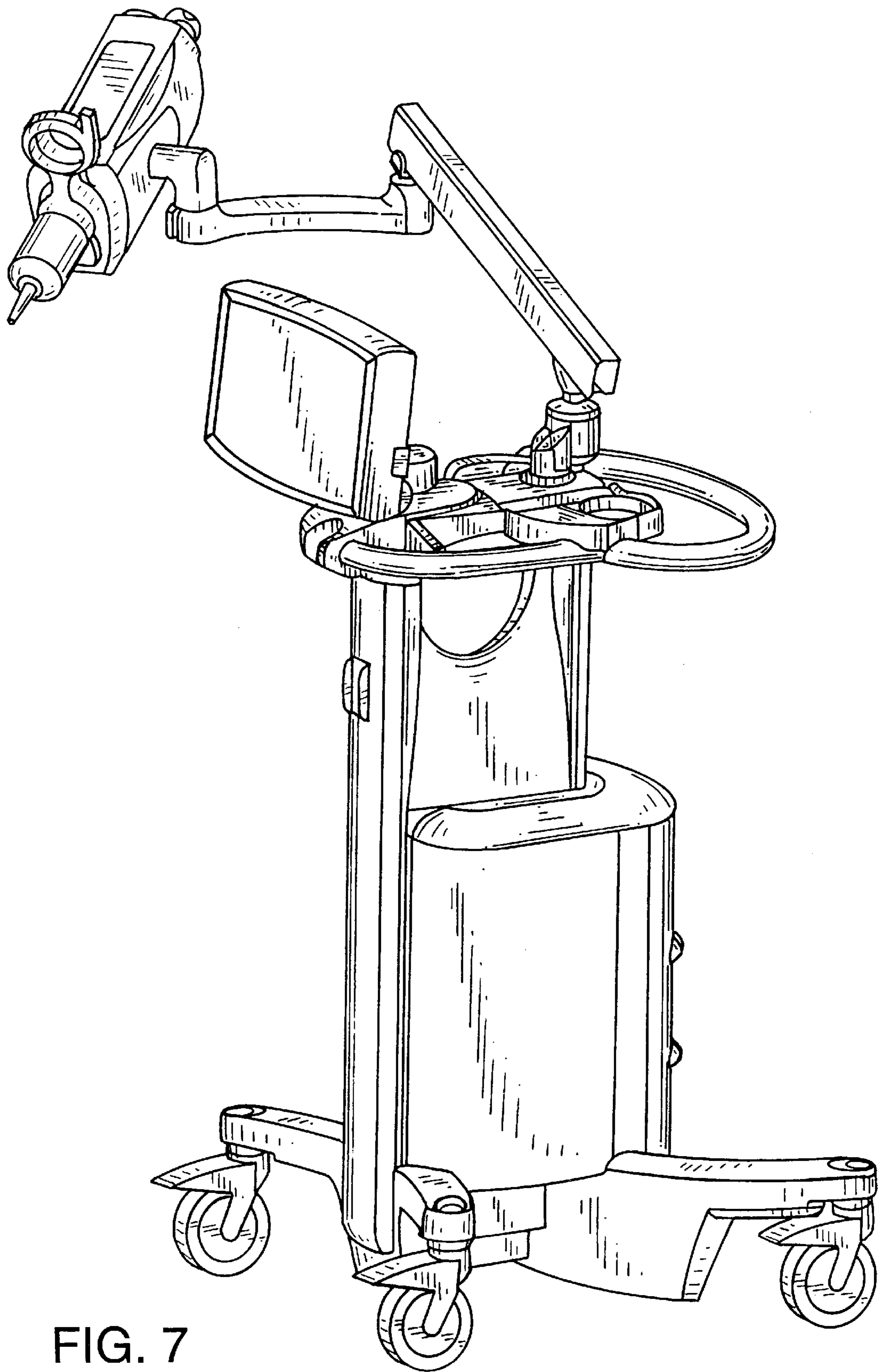


FIG. 7