



US00D426885S

**United States Patent** [19]  
**Stromblad**

[11] **Patent Number: Des. 426,885**  
[45] **Date of Patent: \*\* \*Jun. 20, 2000**

[54] **TOPICAL APPLICATOR WITH CAP**

[75] Inventor: **Lena Stromblad**, Svalov, Sweden

[73] Assignee: **Pharmacia & Upjohn AB**, Stockholm, Sweden

[\*] Notice: This patent is subject to a terminal disclaimer.

[\*\*] Term: **14 Years**

[21] Appl. No.: **29/093,794**

[22] Filed: **Sep. 18, 1998**

[30] **Foreign Application Priority Data**

Mar. 20, 1998 [SE] Sweden ..... 980654

[51] **LOC (7) Cl.** ..... **24-02**

[52] **U.S. Cl.** ..... **D24/119**

[58] **Field of Search** ..... D24/119, 108, D24/107, 211; 604/310, 518; 401/261, 262, 263, 264, 265, 266; 206/210; 601/134, 135, 136, 139

[56] **References Cited**

**U.S. PATENT DOCUMENTS**

D. 243,122 1/1977 Dash ..... D24/115

D. 351,229	10/1994	Wirt	.....	D24/119
D. 377,978	2/1997	Haber et al.	.....	D24/119
1,595,324	8/1926	Van Sant	.....	D24/211 X
1,595,327	8/1926	Van Sant	.....	D24/211 X
5,006,004	4/1991	Dirksing et al.	.....	401/261
5,019,033	5/1991	Geria	.....	604/2

*Primary Examiner*—Stella Reid  
*Attorney, Agent, or Firm*—Birch, Stewart, Kolasch & Birch, LLP

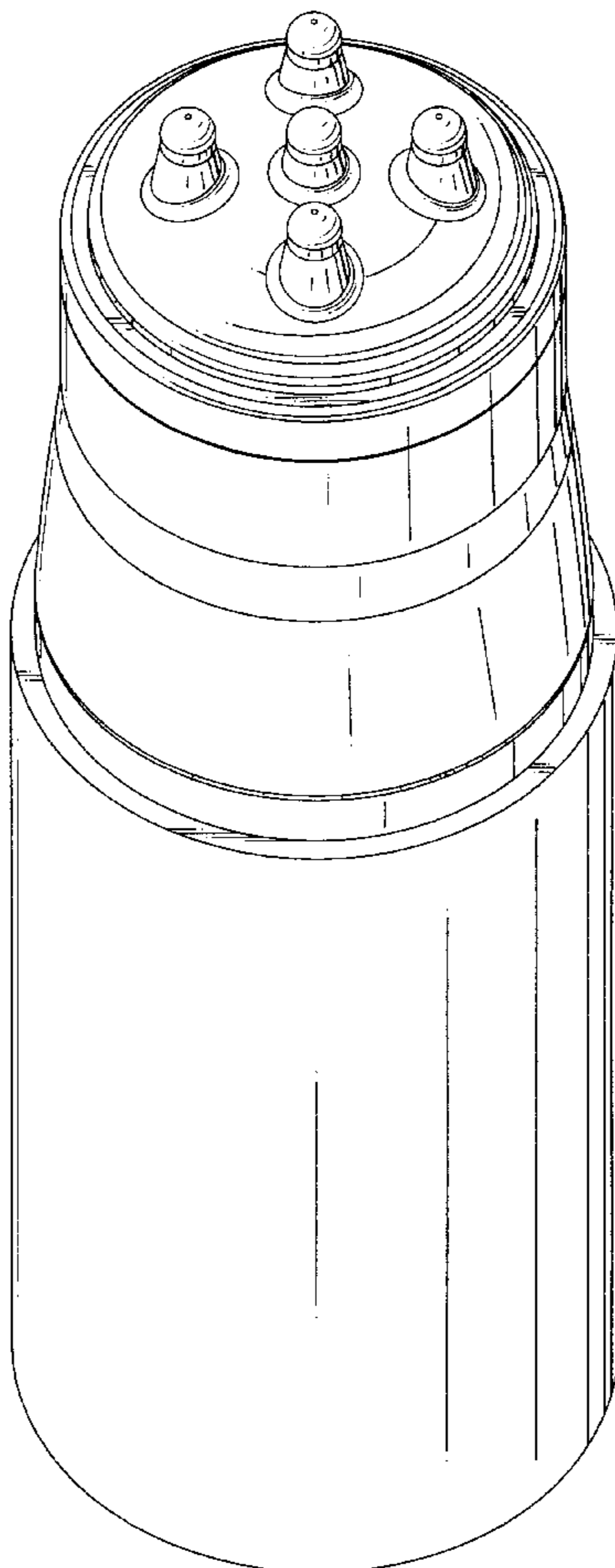
[57] **CLAIM**

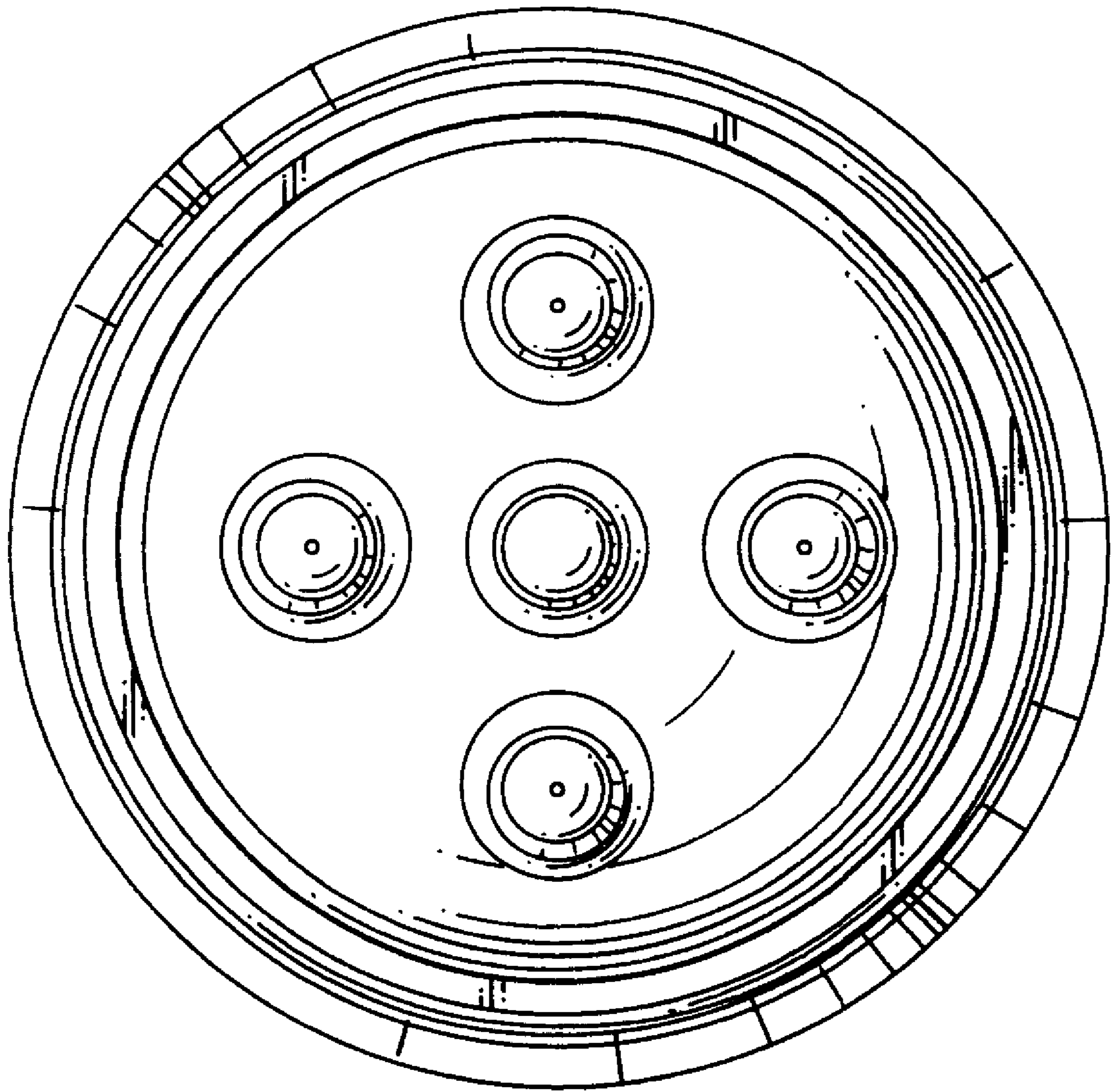
The ornamental design for a topical applicator with cap, as shown and described.

**DESCRIPTION**

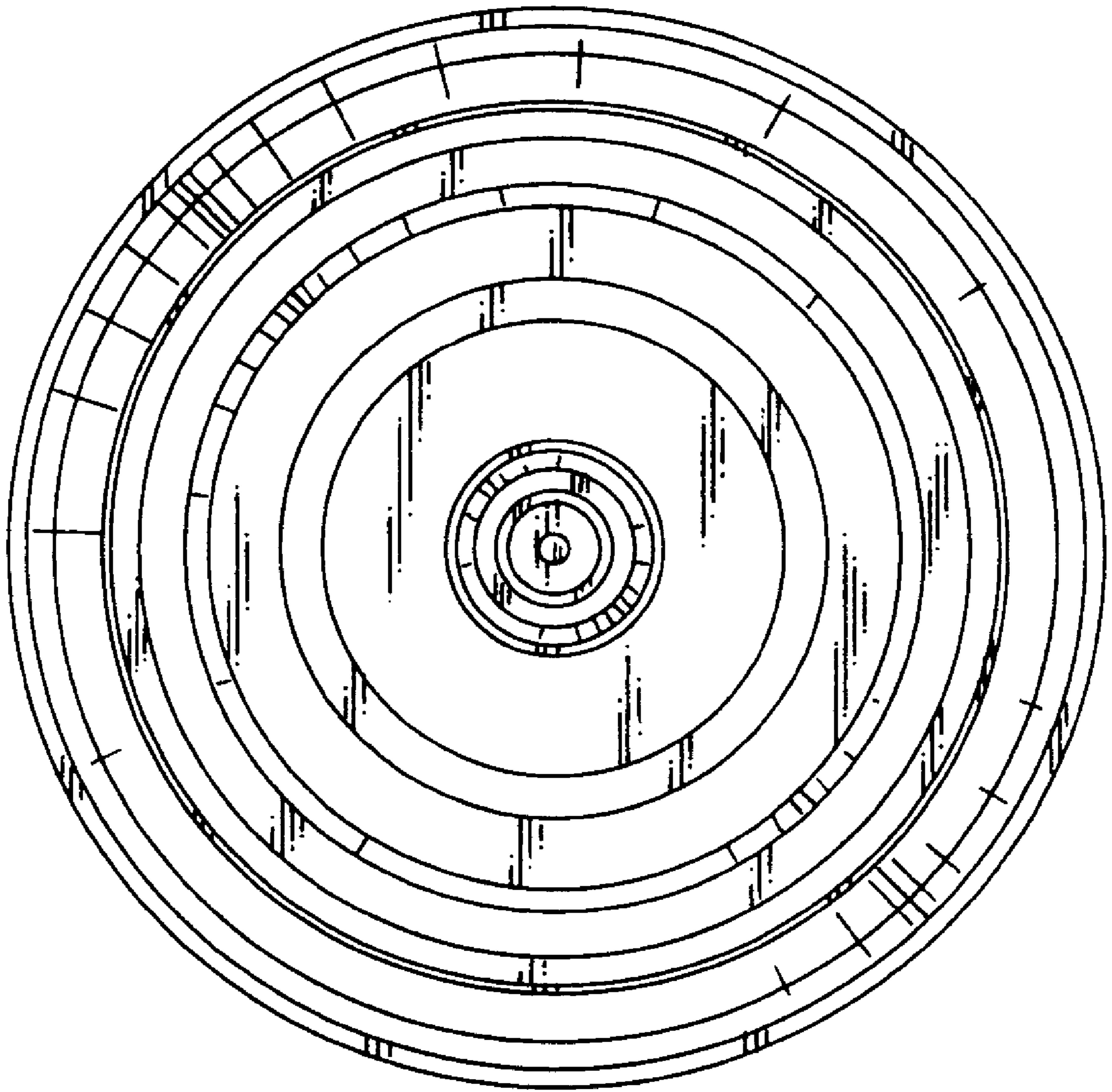
FIG. 1 is a top view of the topical applicator with cap, showing my new design;  
FIG. 2 is a bottom view of the cap portion of the topical applicator;  
FIG. 3 is a side view thereof;  
FIG. 4 is a top perspective view thereof;  
FIG. 5 is a bottom perspective view thereof;  
FIG. 6 is a side view of the topical applicator with cap attached;  
FIG. 7 is a top perspective view thereof; and,  
FIG. 8 is a bottom perspective view thereof.

**1 Claim, 8 Drawing Sheets**

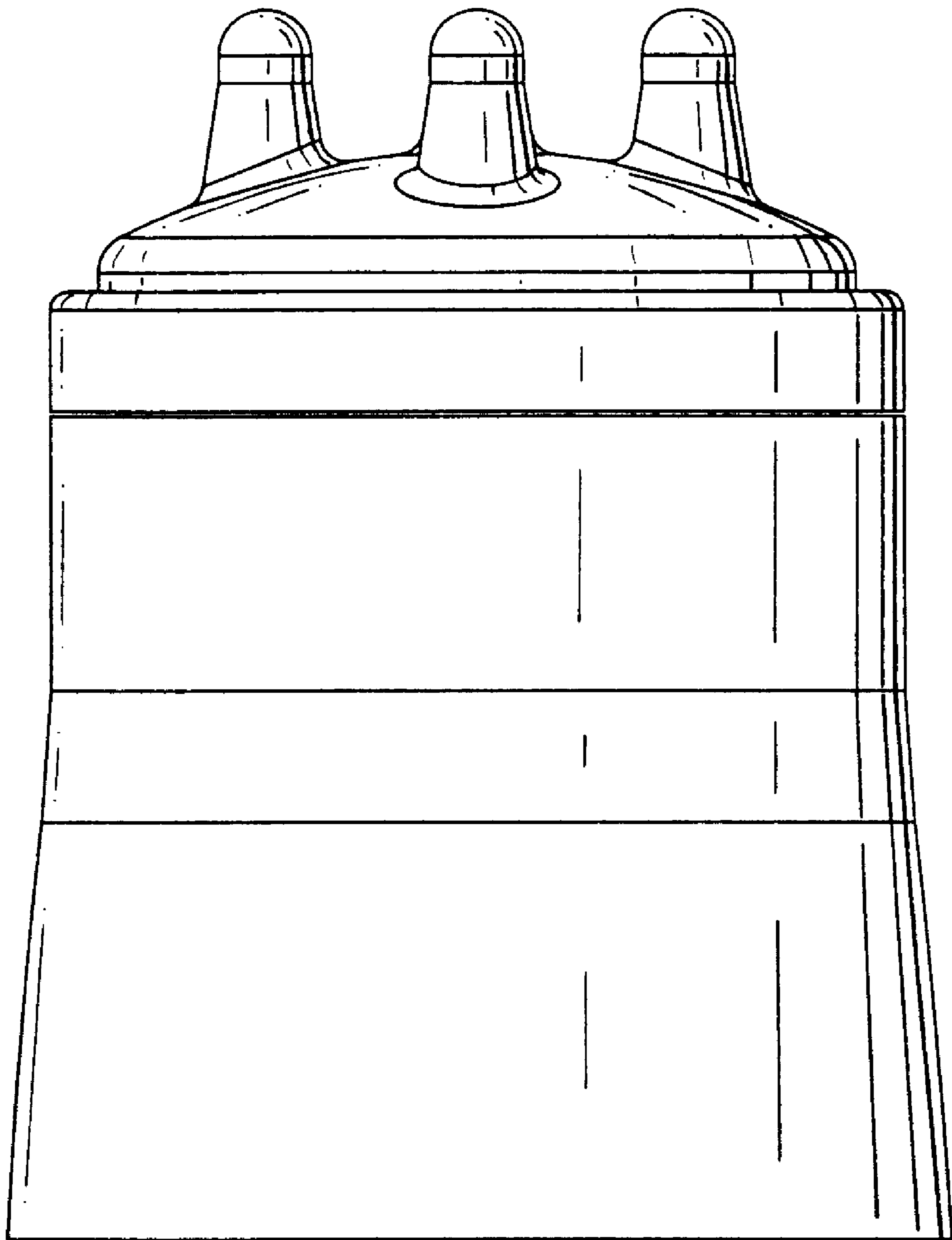




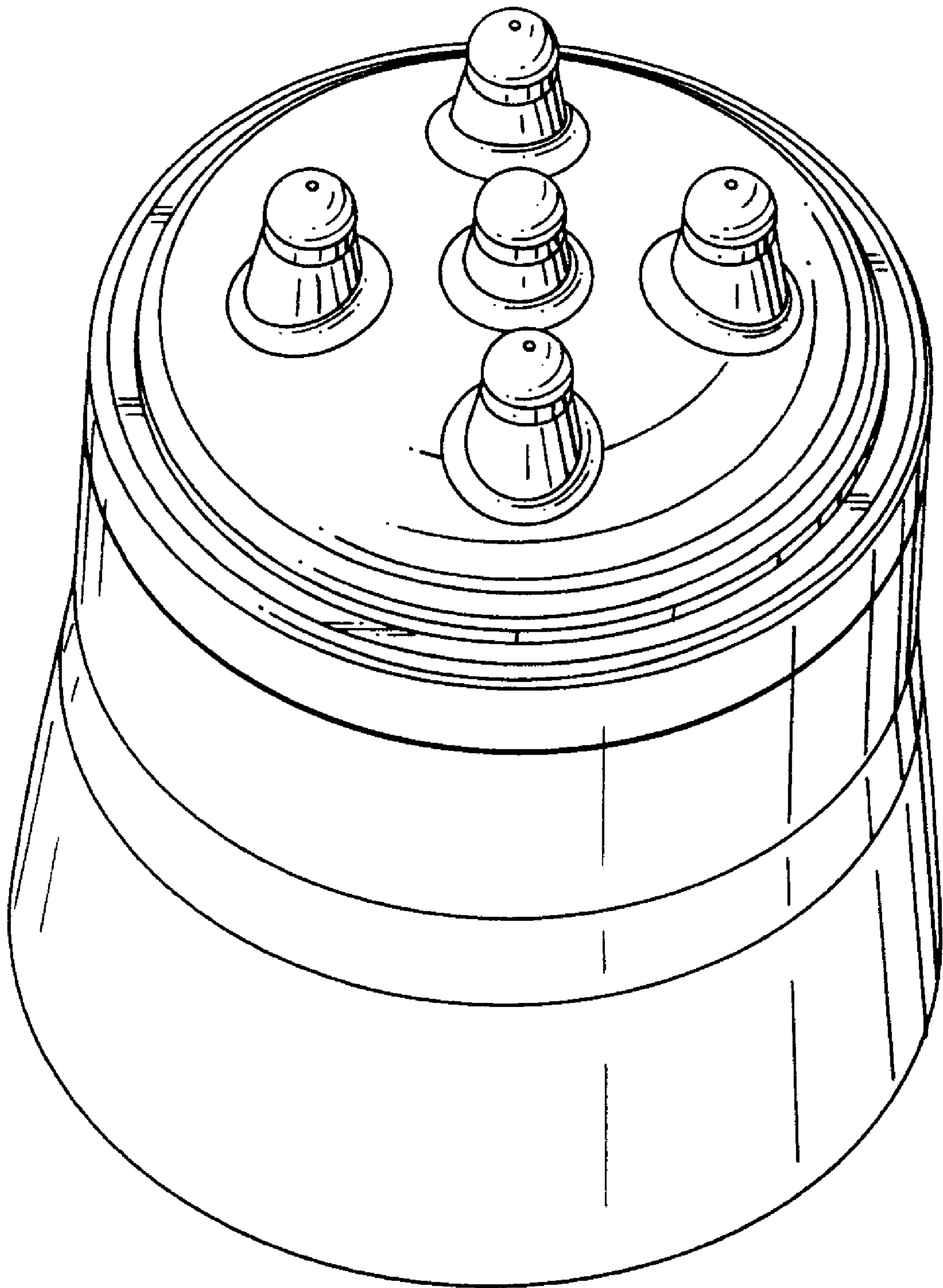
**Fig. 1**



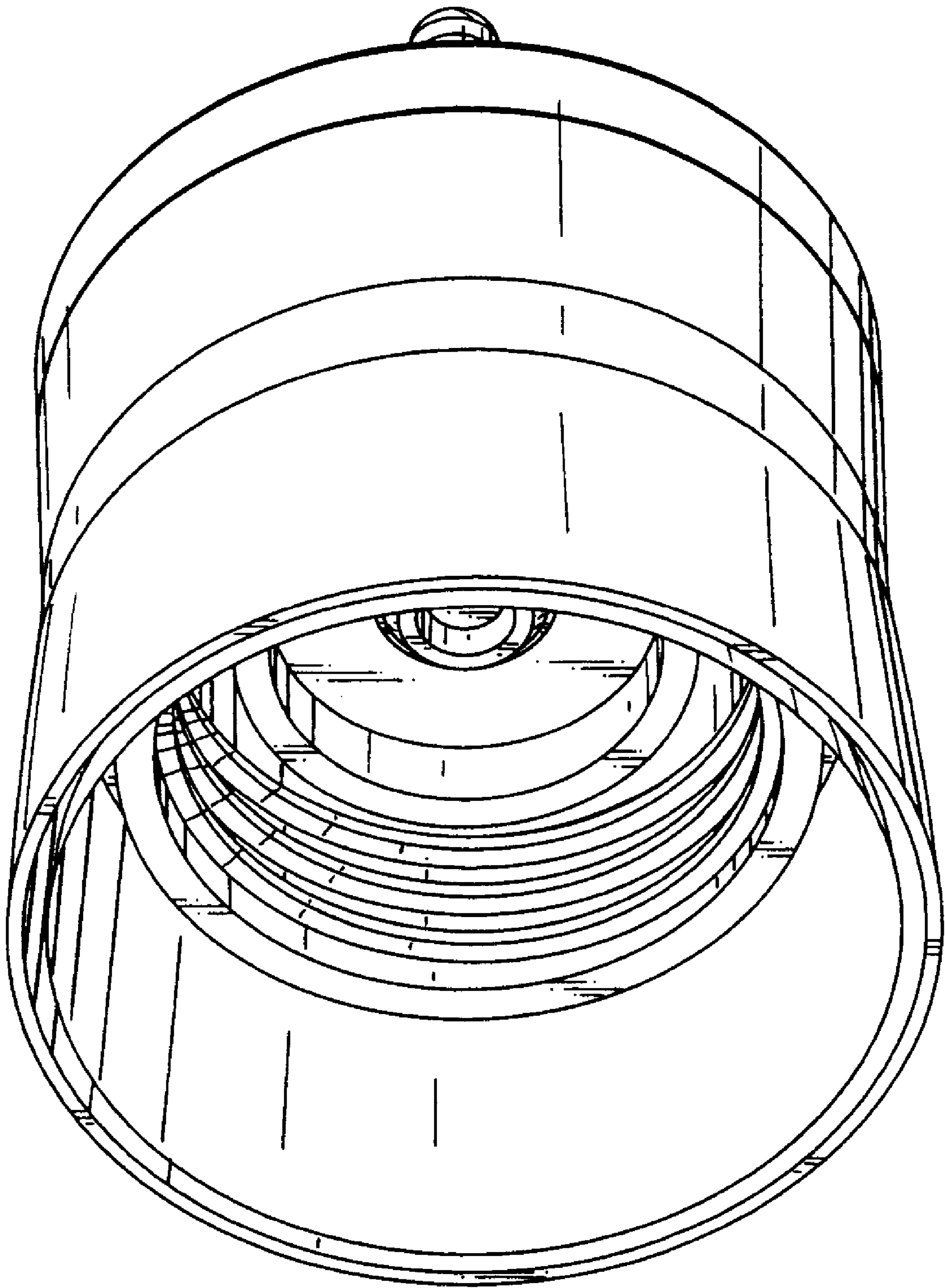
**Fig. 2**



**Fig. 3**



**Fig. 4**



**Fig. 5**

Fig. 6

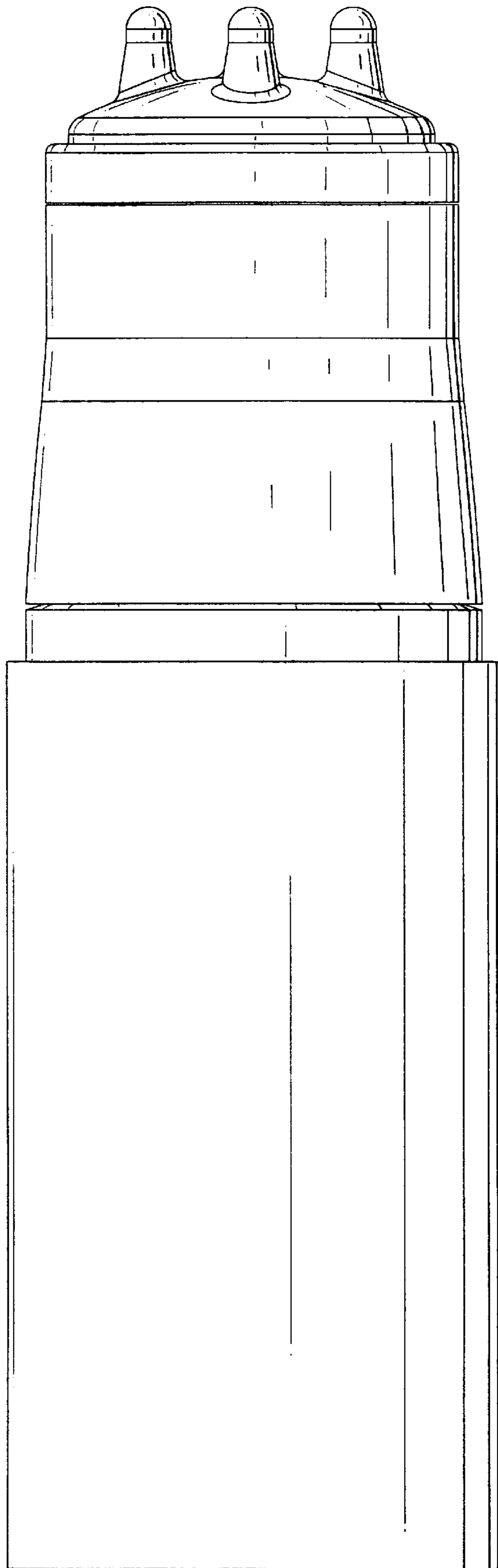


Fig. 7

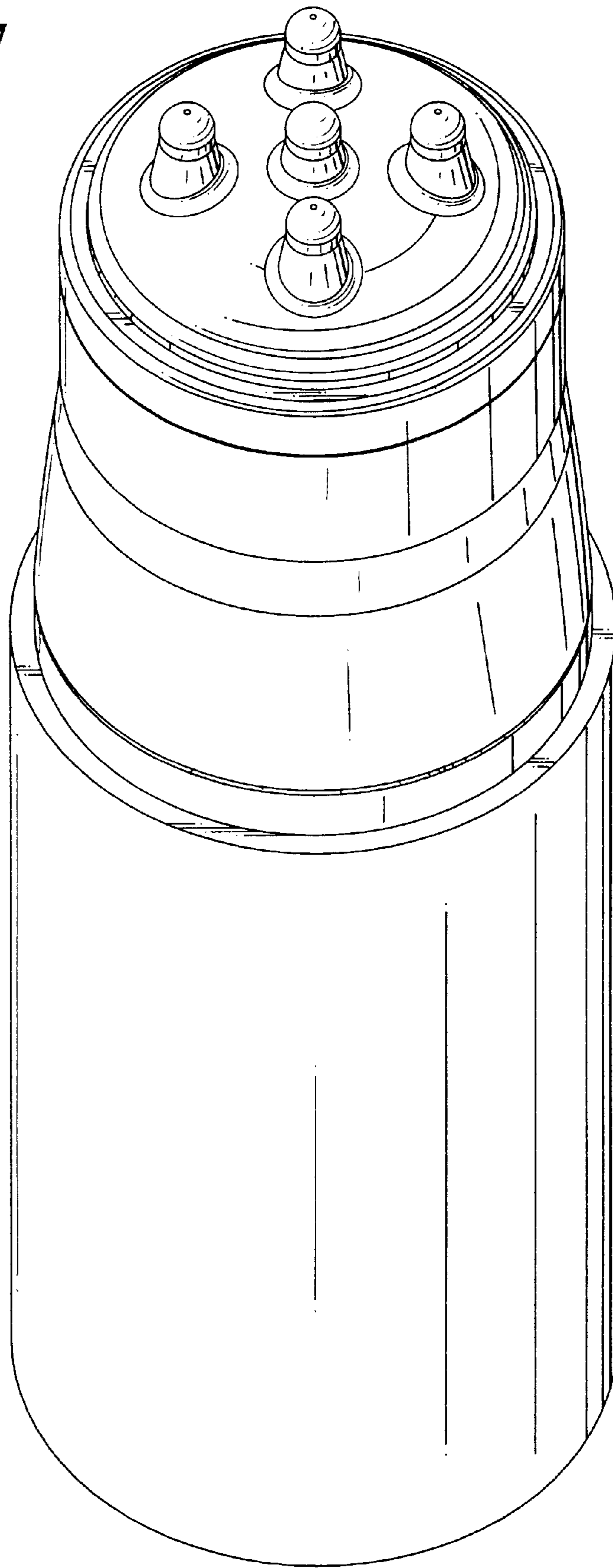




Fig. 8

