



US00D426884S

United States Patent [19]
Srisathapat et al.

[11] **Patent Number: Des. 426,884**
[45] **Date of Patent: ** Jun. 20, 2000**

[54] **SYRINGE PLUNGER**

[76] Inventors: **Chad Srisathapat**, 8701 Vine Valley Dr., Sun Valley, Calif. 91352; **Jeffery V. Funderburk**, 17245 Lahey St., Granada Hills, Calif. 91344; **Randy W. Adair**, 27969 Skycrest Cir., Valencia, Calif. 91354

[**] Term: **14 Years**

[21] Appl. No.: **29/090,404**

[22] Filed: **Jul. 8, 1998**

[51] **LOC (7) Cl.** **24-02**

[52] **U.S. Cl.** **D24/114; D24/130**

[58] **Field of Search** D24/112, 114, D24/130, 111, 108; 604/224, 228, 218, 187, 193, 222, 229, 221

[56] **References Cited**

U.S. PATENT DOCUMENTS

D. 399,315	10/1998	Fulk et al.	D24/114
2,498,672	2/1950	Glass .	
3,858,581	1/1975	Kamen .	
4,191,187	3/1980	Wright .	
4,544,369	10/1985	Skakoon et al. .	
4,562,751	1/1986	Nason et al. .	
4,648,872	3/1987	Kamen .	
4,678,408	7/1987	Nason et al. .	
4,685,903	8/1987	Cable et al. .	
4,804,368	2/1989	Skakoon et al. .	
4,838,857	6/1989	Strowe et al. .	

4,976,696	12/1990	Sanderson et al. .	
5,080,653	1/1992	Voss et al. .	
5,097,122	3/1992	Colman et al. .	
5,101,679	4/1992	Smith et al. .	
5,176,502	1/1993	Sanderson et al. .	
5,505,709	4/1996	Funderburk et al. .	
5,658,261	8/1997	Neer et al.	604/218 X
5,865,805	2/1999	Ziemba	604/218 X

FOREIGN PATENT DOCUMENTS

WO9614893 5/1996 WIPO .

Primary Examiner—Doris Clark
Assistant Examiner—I Simmons
Attorney, Agent, or Firm—Minimed Inc.

[57] **CLAIM**

The ornamental design for a syringe plunger, as shown and described.

DESCRIPTION

FIG. 1 is a top, front and right perspective view of a syringe plunger showing our new design, the broken line showing of the syringe is for illustrative purposes only and forms no part of the claimed design;

FIG. 2 is a front end elevational view thereof;

FIG. 3 is a rear end elevational view thereof;

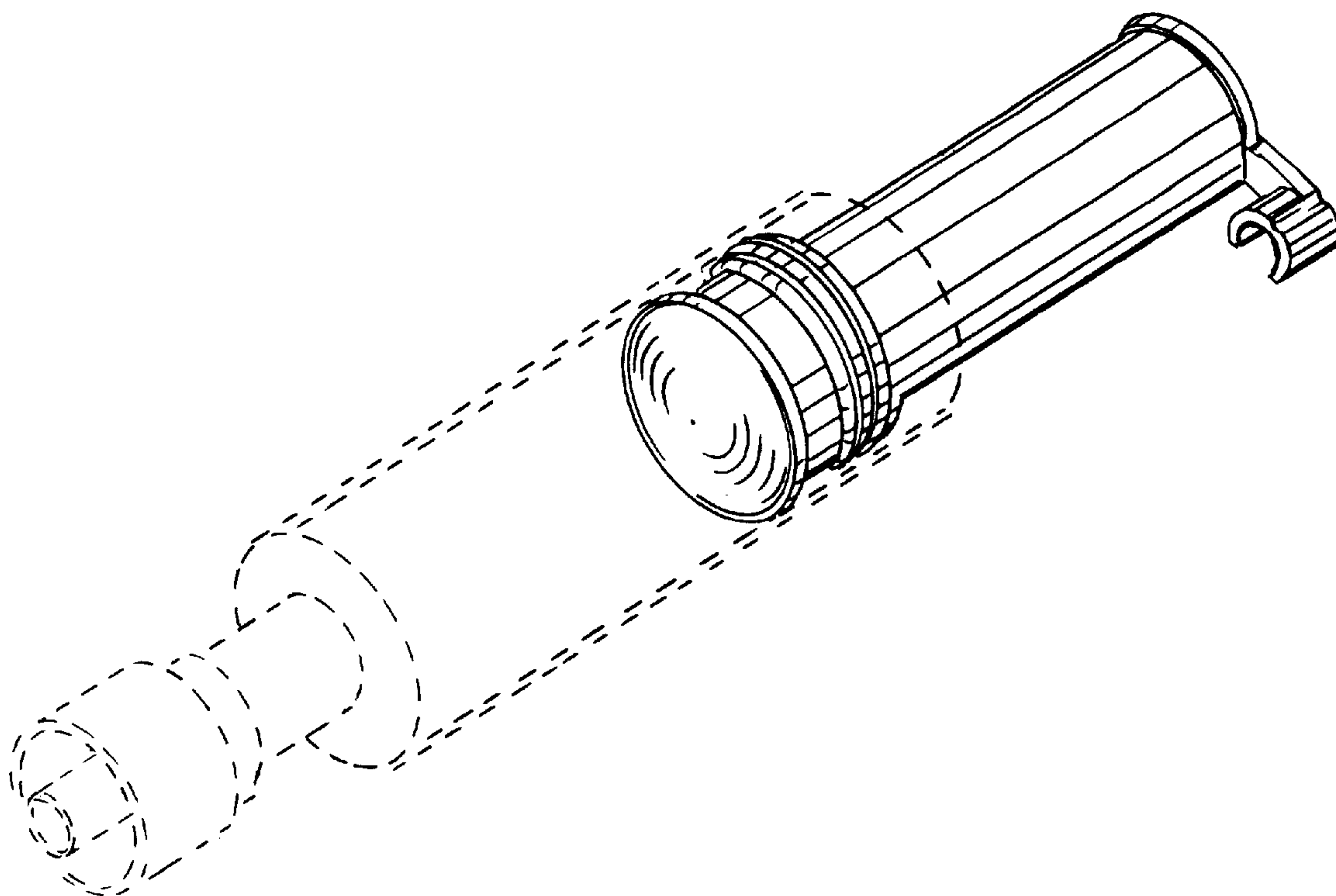
FIG. 4 is a left side elevational view thereof;

FIG. 5 is a right side elevational view thereof;

FIG. 6 is a top plan view thereof; and,

FIG. 7 is a bottom plan view thereof.

1 Claim, 2 Drawing Sheets



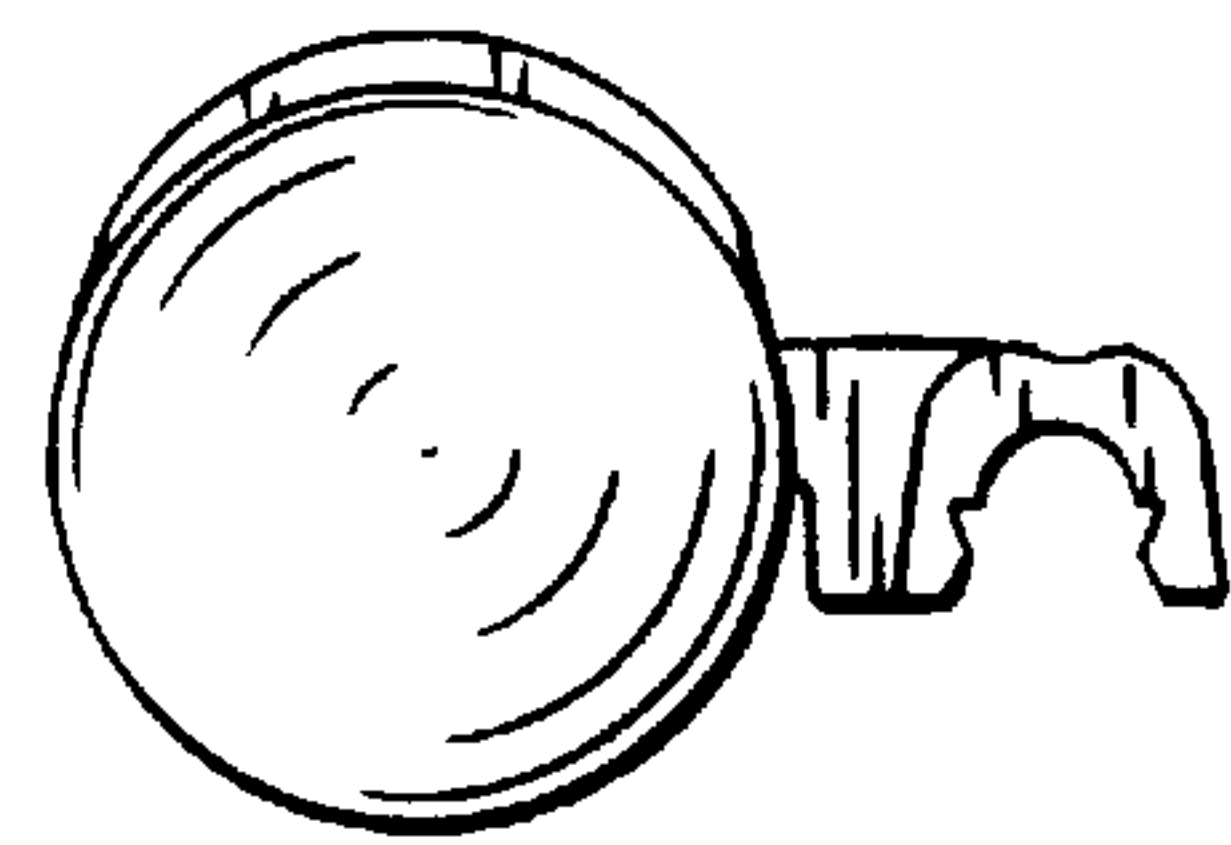
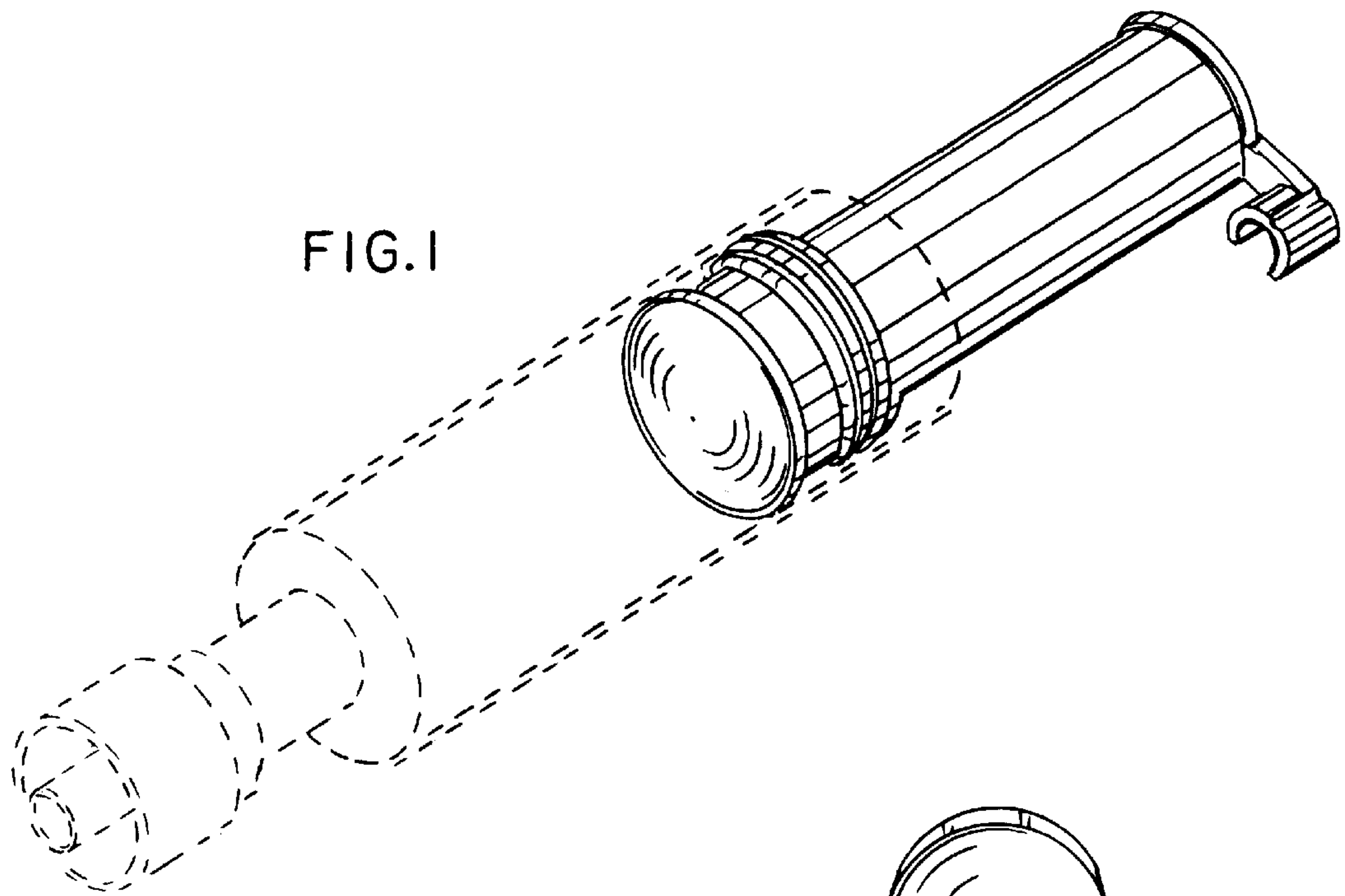


FIG. 2

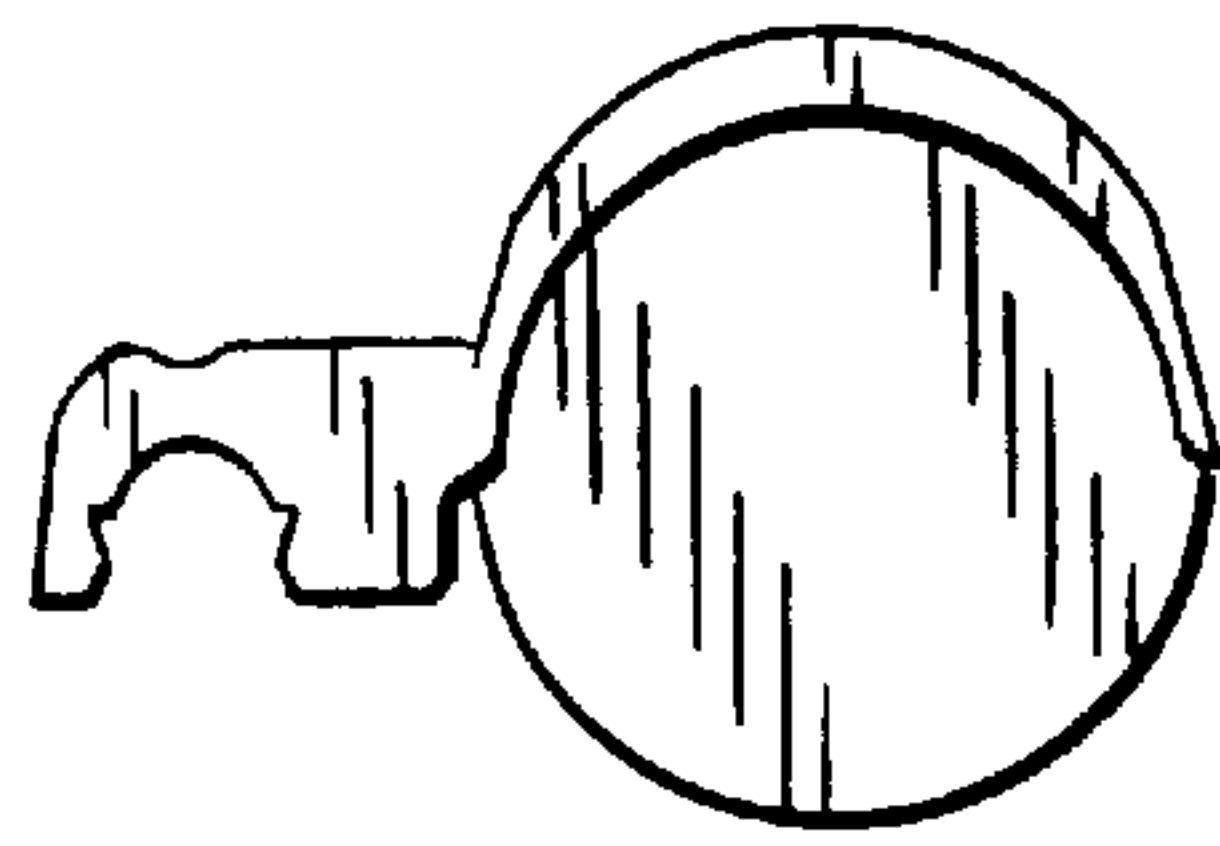


FIG. 3

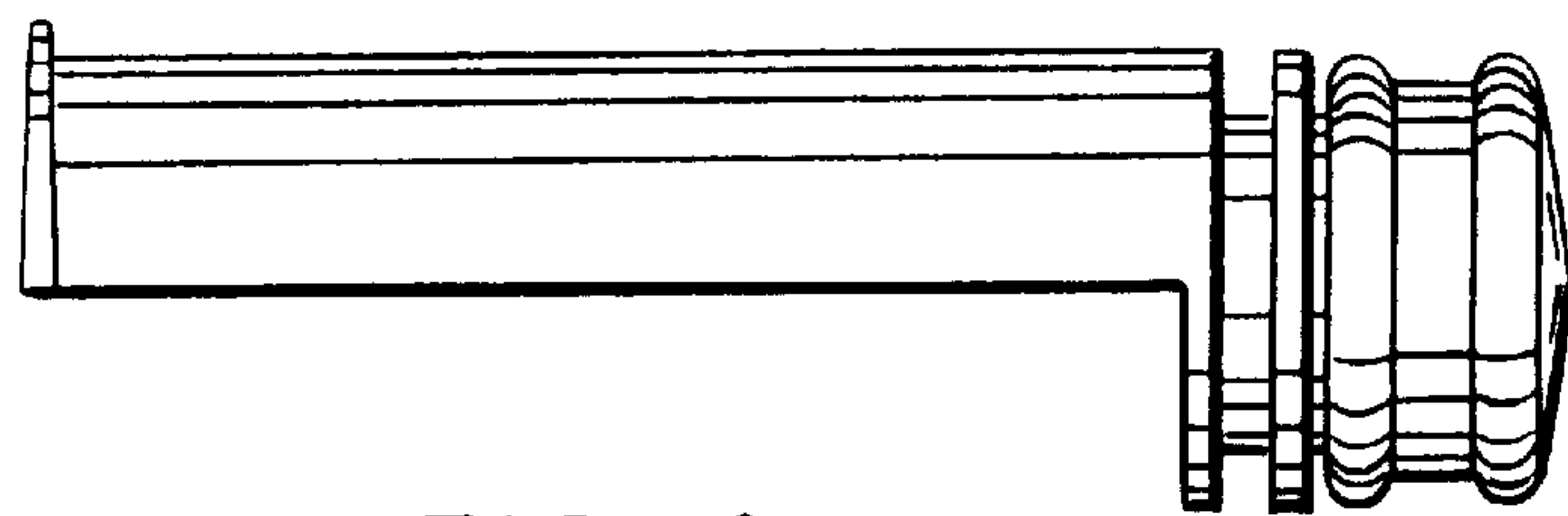


FIG. 4

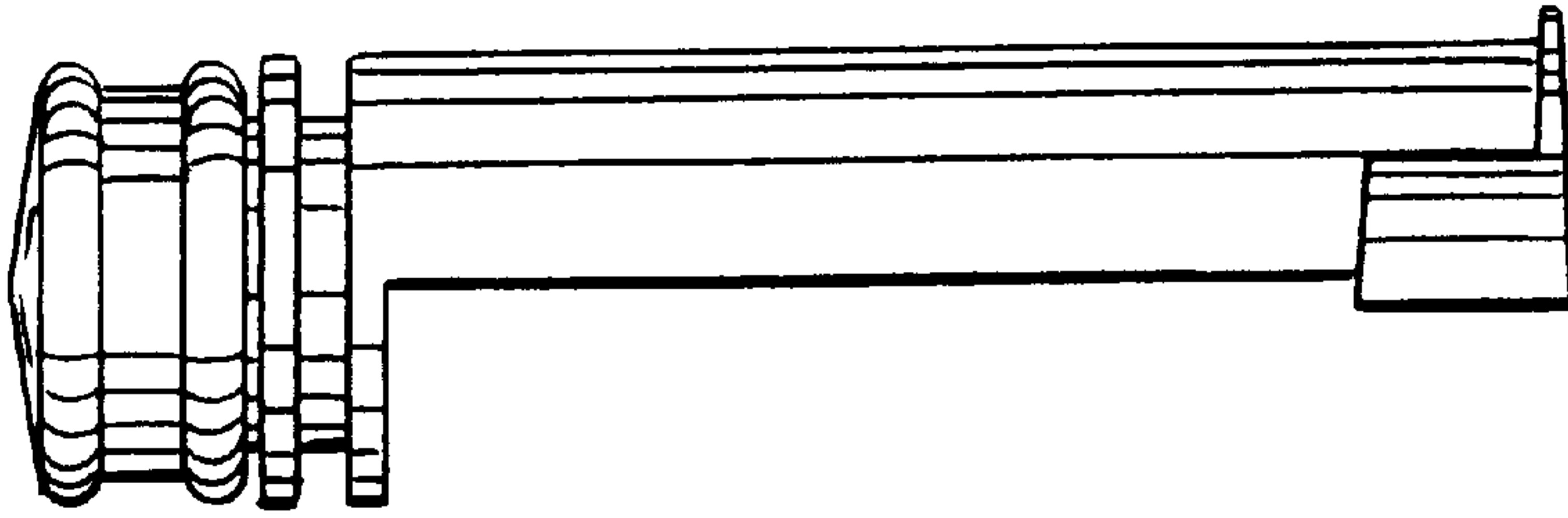


FIG. 5

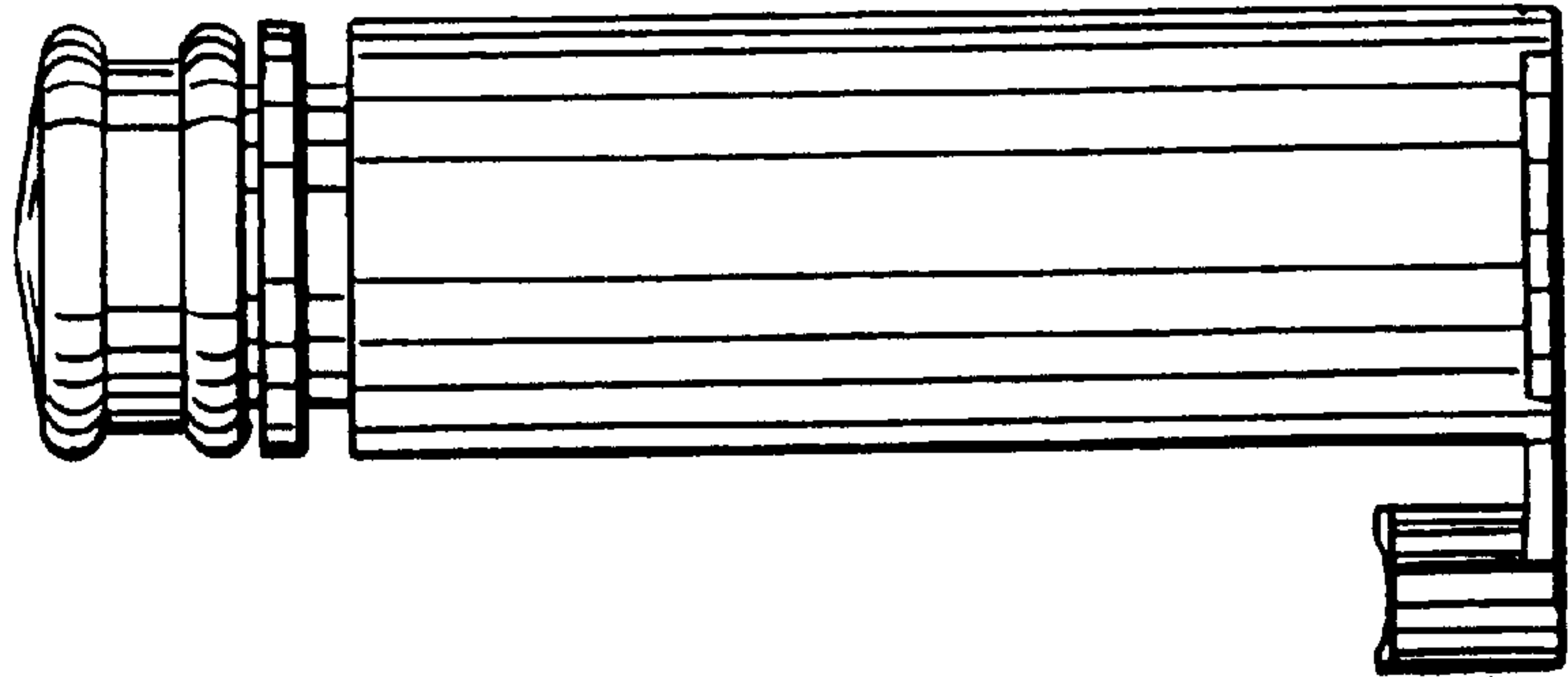


FIG. 6

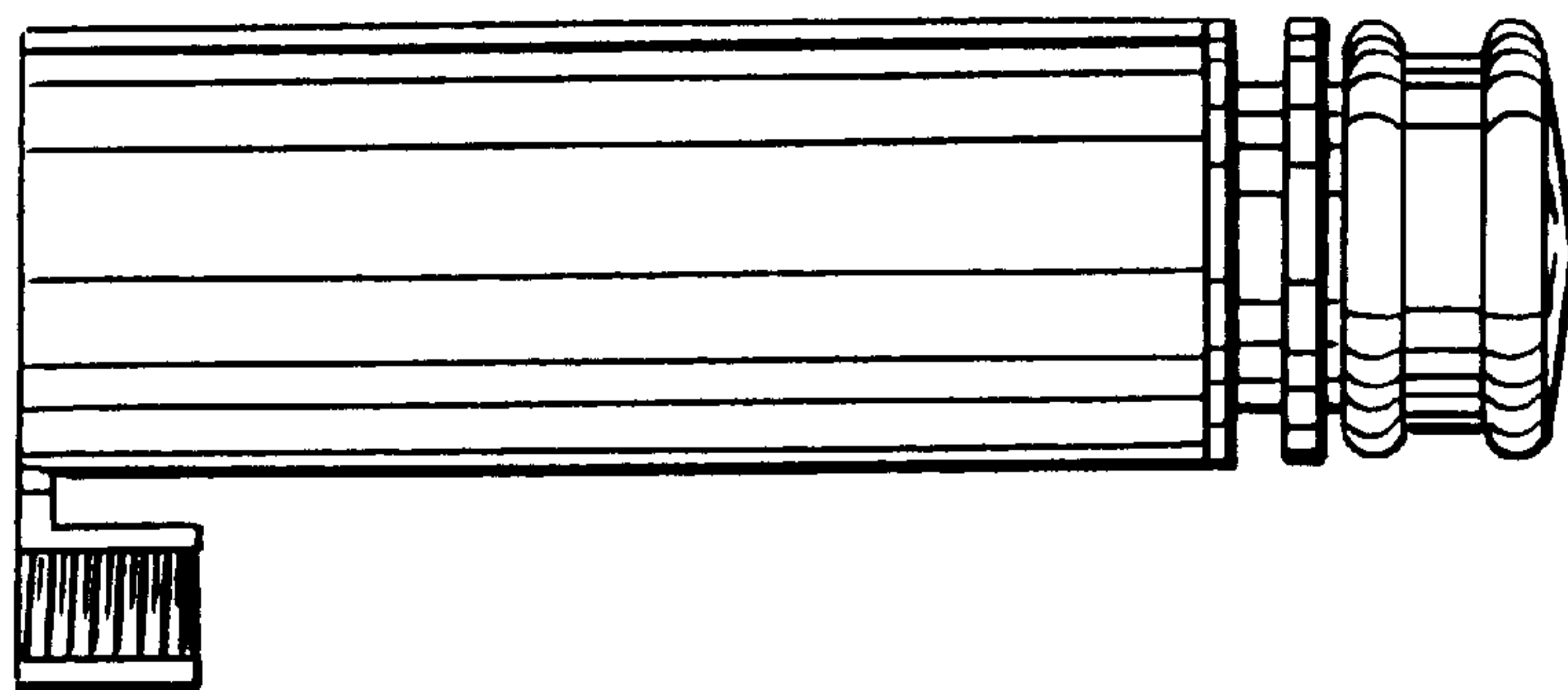


FIG. 7