



US00D426881S

United States Patent [19]

[11] Patent Number: **Des. 426,881**

Valerio et al.

[45] Date of Patent: **** Jun. 20, 2000**

[54] **CONTINUOUS AUTOTRANSFUSION AND DRAINAGE UNIT FOR DRAINING BODILY FLUIDS FROM A PATIENT**

Primary Examiner—Alan P. Douglas
Assistant Examiner—Linda Brooks
Attorney, Agent, or Firm—Dike, Bronstein, Roberts & Cushman, LLP; David G. Conlin; William J. Daley, Jr.

[75] Inventors: **Michael A. Valerio**, Wrentham; **Trinh Phung**, Attleboro, both of Mass.; **Anthony R. Carlone**, Bristol, R.I.; **Victor E. Santos**, Brockton, Mass.

[57] CLAIM

[73] Assignee: **Genzyme Corporation**, Cambridge, Mass.

The ornamental design for a continuous autotransfusion and drainage unit for draining bodily fluids from a patient, as shown and described.

[**] Term: **14 Years**

DESCRIPTION

[21] Appl. No.: **29/064,869**

FIG. 1 is a front view of a continuous autotransfusion and drainage unit for draining bodily fluids from a patient showing our new design;

[22] Filed: **Jan. 13, 1997**

FIG. 2 is a left side view of FIG. 1;

[51] **LOC (7) Cl.** **24-01**

FIG. 3 is a right side view of FIG. 1;

[52] **U.S. Cl.** **D24/108**

FIG. 4 is a plan view of FIG. 1;

[58] **Field of Search** D24/118, 51, 56, D24/108; 604/4-6, 317, 319-321; 137/205

FIG. 5 is a back view of FIG. 1;

FIG. 6 is a bottom view of FIG. 1; and,

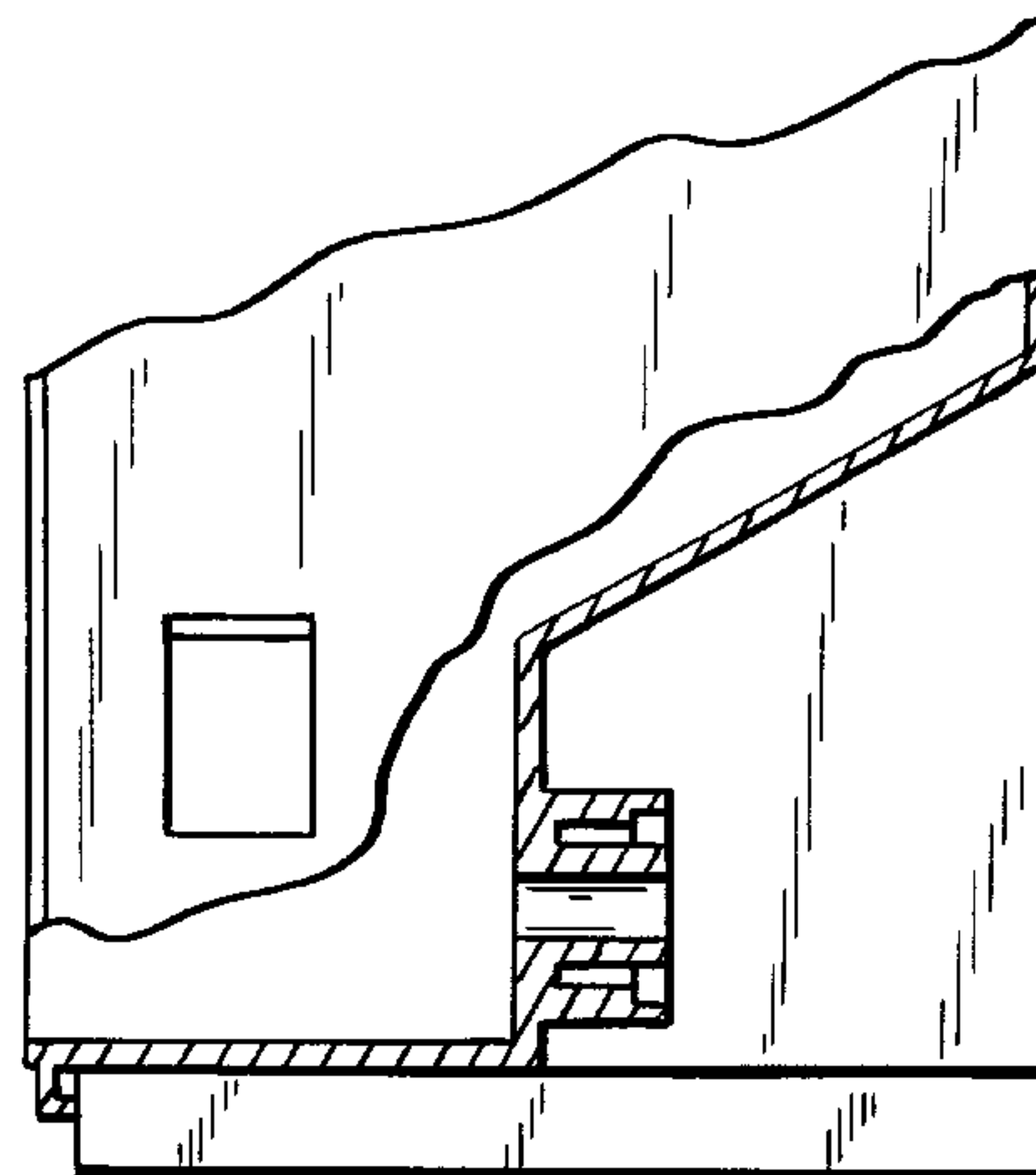
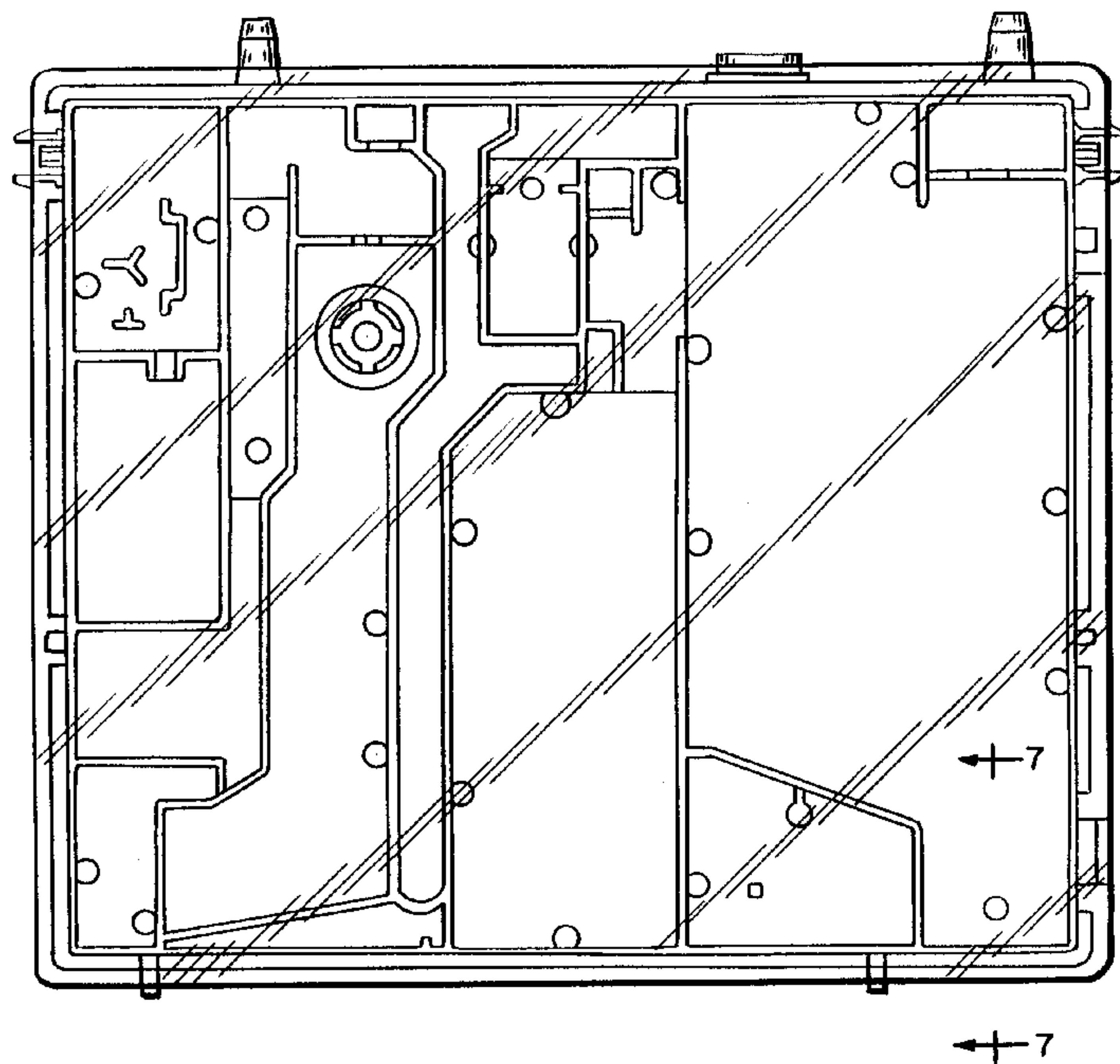
[56] References Cited

FIG. 7 is an enlarged partially broken away section view along line 7-7 of FIG. 1.

U.S. PATENT DOCUMENTS

5,397,299 3/1995 Karwoski et al. 604/4

1 Claim, 3 Drawing Sheets



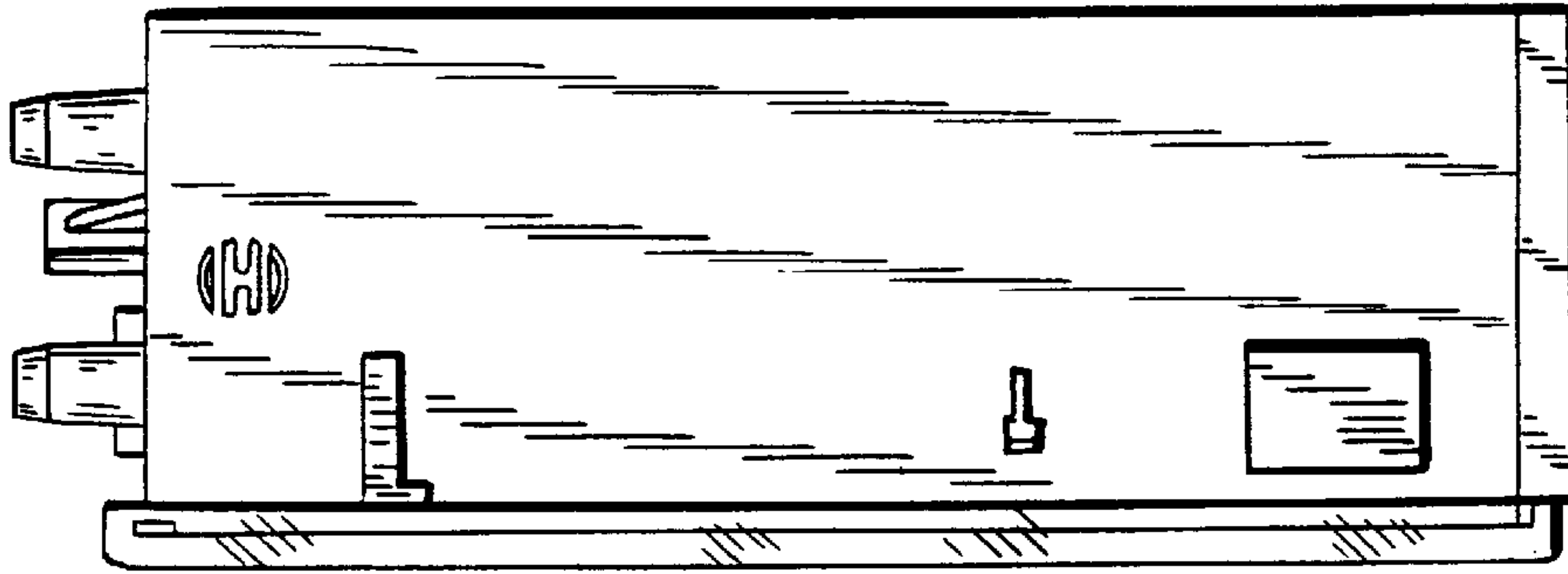


FIG. 3

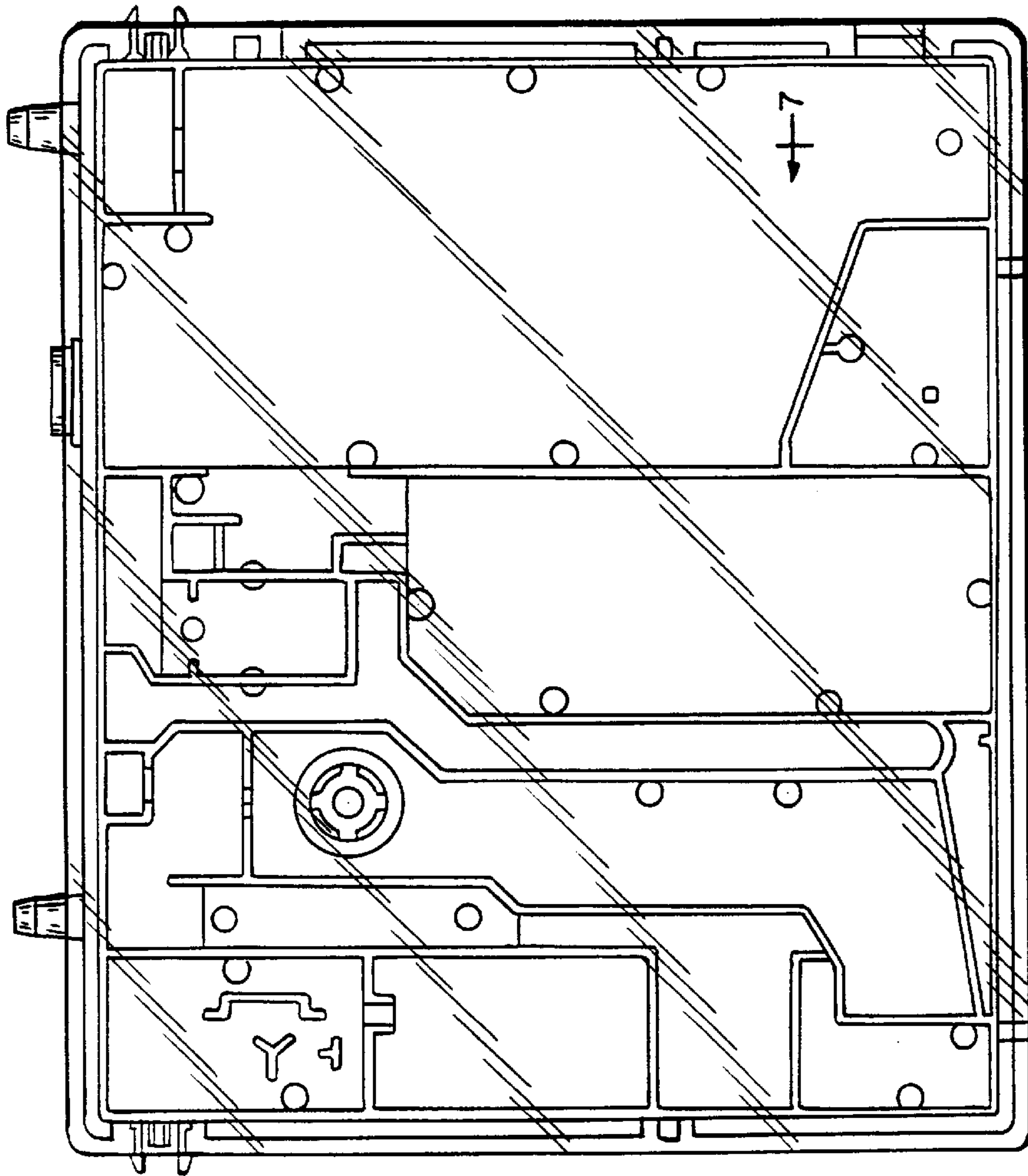


FIG. 1

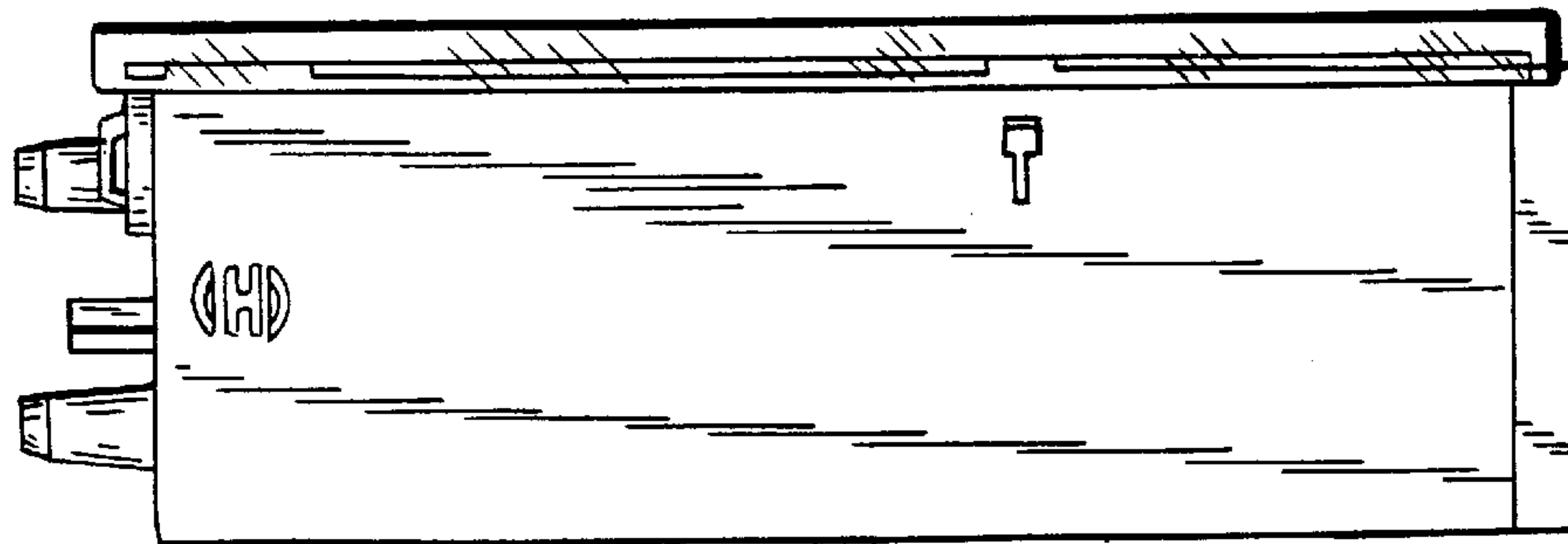


FIG. 2

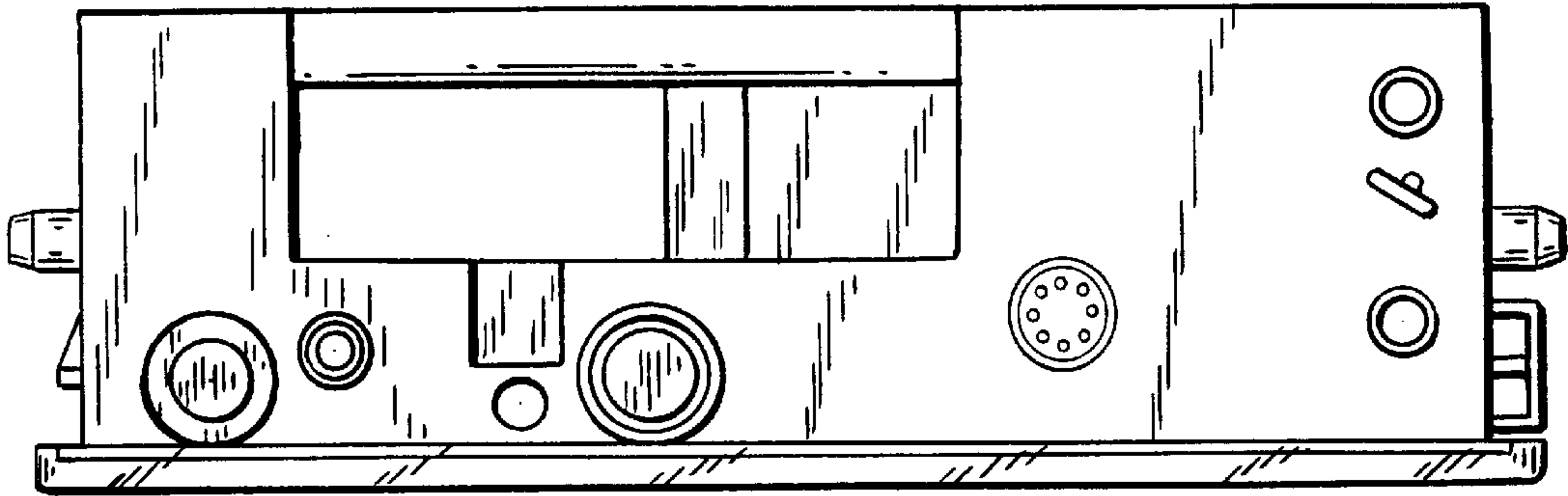


FIG. 4

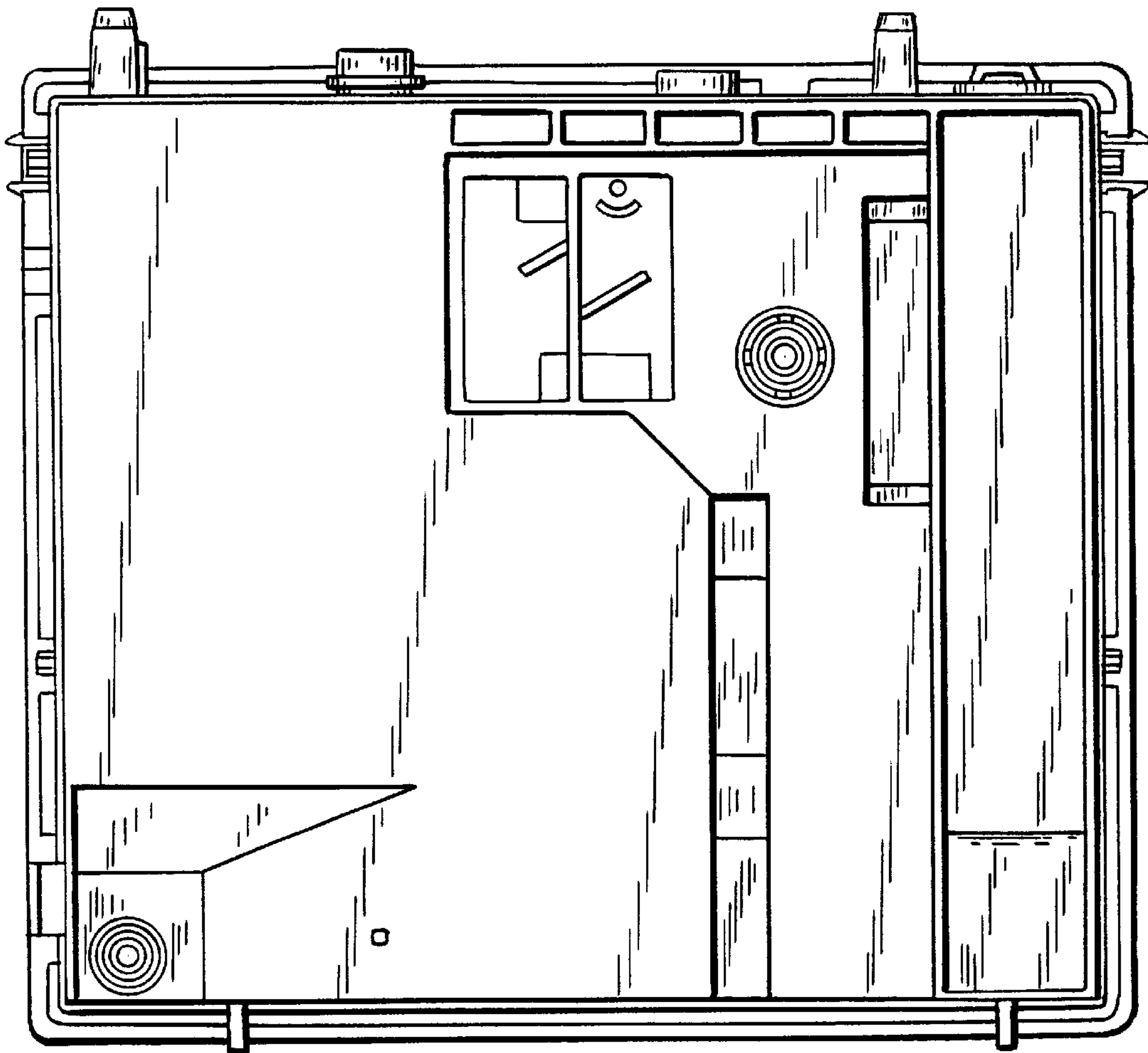


FIG. 5

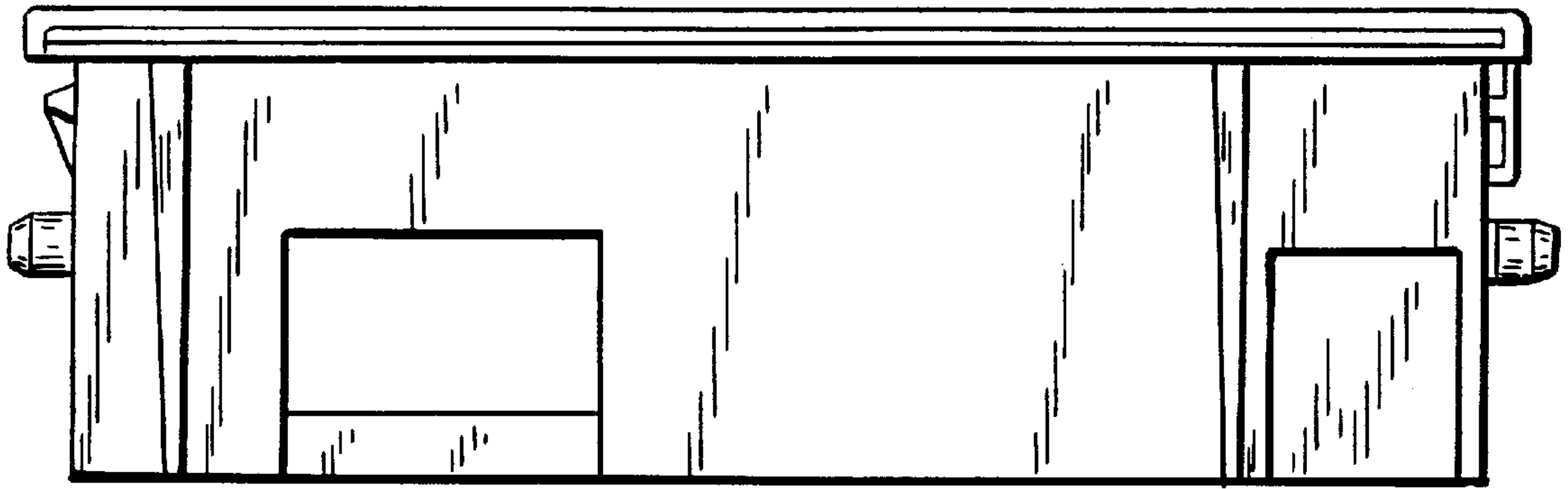


FIG. 6

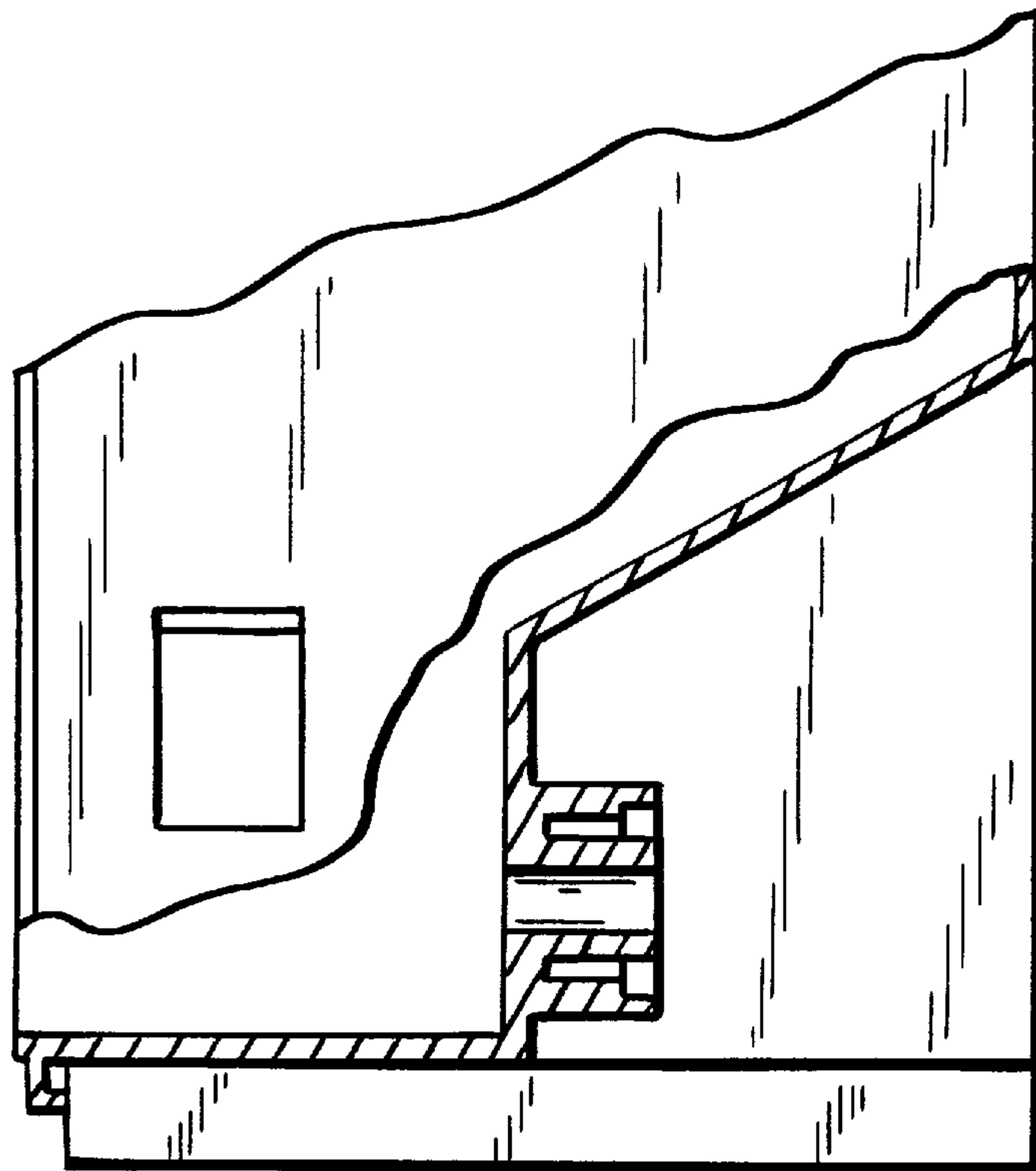


FIG. 7

UNITED STATES PATENT AND TRADEMARK OFFICE
CERTIFICATE OF CORRECTION

PATENT NO. : Des. 426,881

Page 1 of 2

DATED : June 20, 2000

INVENTOR(S) : Michael A. Valerio, Trinh Phung, Anthony R. Carlone, and Victor E. Santos

It is certified that error appears in the above-identified patent and that said Letters Patent is hereby corrected as shown below:

On the Title Page, Column 1, add the following list of references:

References Cited
U.S. PATENT DOCUMENTS

4,258,824	3/31/1981	Kurtz et al.
5,026,358	6/25/1991	Everett, Jr. et al.
4,784,642	11/15/1988	Everett, Jr. et al.
5,507,734	4/16/1996	Everett, Jr. et al.
Des. 324,102	2/18/1992	Farrar et al.
3,545,440	12/8/1970	Mishkin et al.
5,154,712	10/13/1992	Herweck et al.
Re. 35,225	4/30/1996	Herweck et al.al
4,767,417	8/30/1988	Boehringer et al.
4,781,707	11/1/1988	Boehringer et al.
3,559,647	2/2/1971	Bidwell et al.
Des. 245,372	8/9/1977	Kurtz et al.
4,018,224	4/19/1977	Kurtz et al.
Des. 250,207	11/7/1978	Kurtz et al.

UNITED STATES PATENT AND TRADEMARK OFFICE
CERTIFICATE OF CORRECTION

PATENT NO. : Des. 426,881

Page 2 of 2

DATED : June 20, 2000

INVENTOR(S) : Michael A. Valerio, Trinh Phung, Anthony R. Carlone, and Victor E. Santos

It is certified that error appears in the above-identified patent and that said Letters Patent is hereby corrected as shown below:

FOREIGN PATENT DOCUMENTS

0,112,641	7/4/1984	Europe
2,148,331	11/5/1970	Germany

OTHER DOCUMENTS

“Understanding Chest Drainage”, Deknatel, Inc. Publication, July, 1995, Rev. C.,
p. 15 Deknatel Product Literature, Pleur-Evac Plus A-6000; December, 1995

Signed and Sealed this

Nineteenth Day of June, 2001

Nicholas P. Godici

Attest:

Attesting Officer

NICHOLAS P. GODICI

Acting Director of the United States Patent and Trademark Office