



US00D426873S

United States Patent [19]

Milrud et al.

[11] Patent Number: **Des. 426,873**

[45] Date of Patent: **** Jun. 20, 2000**

[54] TUB SPOUT

[75] Inventors: **Eduardo Milrud**, Chagrin Falls; **Daniel C. Buchner**, Lorain; **Shannon E. Mason**, Avon Lake, all of Ohio; **John C. Costello**, Wellesley, Mass.; **David Malina**; **Stephanie C. Schwarz**, both of Boston, Mass.; **Thorben Neu**, Cambridge, Mass.; **Kevin Young**, Newton, Mass.

[73] Assignee: **Moen Incorporated**, North Olmsted, Ohio

[**] Term: **14 Years**

[21] Appl. No.: **29/111,737**

[22] Filed: **Oct. 4, 1999**

[51] LOC (7) Cl. **23-01**

[52] U.S. Cl. **D23/255**

[58] Field of Search D23/238-243, D23/250-257; 4/675-678; 137/801

[56] **References Cited**

U.S. PATENT DOCUMENTS

- D. 287,747 1/1987 Miller et al. .
- D. 295,551 5/1988 Yost .
- D. 312,495 11/1990 Joerger .
- D. 314,228 1/1991 Haug et al. .
- D. 318,906 8/1991 Spangler .

- D. 320,645 10/1991 Knapp et al. .
- D. 321,750 11/1991 Spangler .
- D. 339,853 9/1993 Higgins et al. .
- D. 363,536 10/1995 Hill et al. .
- D. 363,974 11/1995 Doughty et al. .
- D. 364,218 11/1995 Hill et al. .
- D. 364,219 11/1995 Hill et al. .
- D. 364,220 11/1995 Hill et al. .
- D. 377,517 1/1997 Doughty et al. .
- D. 379,213 5/1997 Gottwald .
- D. 381,400 7/1997 Doughty et al. .
- D. 381,401 7/1997 Doughty et al. .
- D. 405,165 2/1999 Kolada .

Primary Examiner—Eric Watterson
Attorney, Agent, or Firm—McEachran, Jambor, Keating, Bock & Kurtz

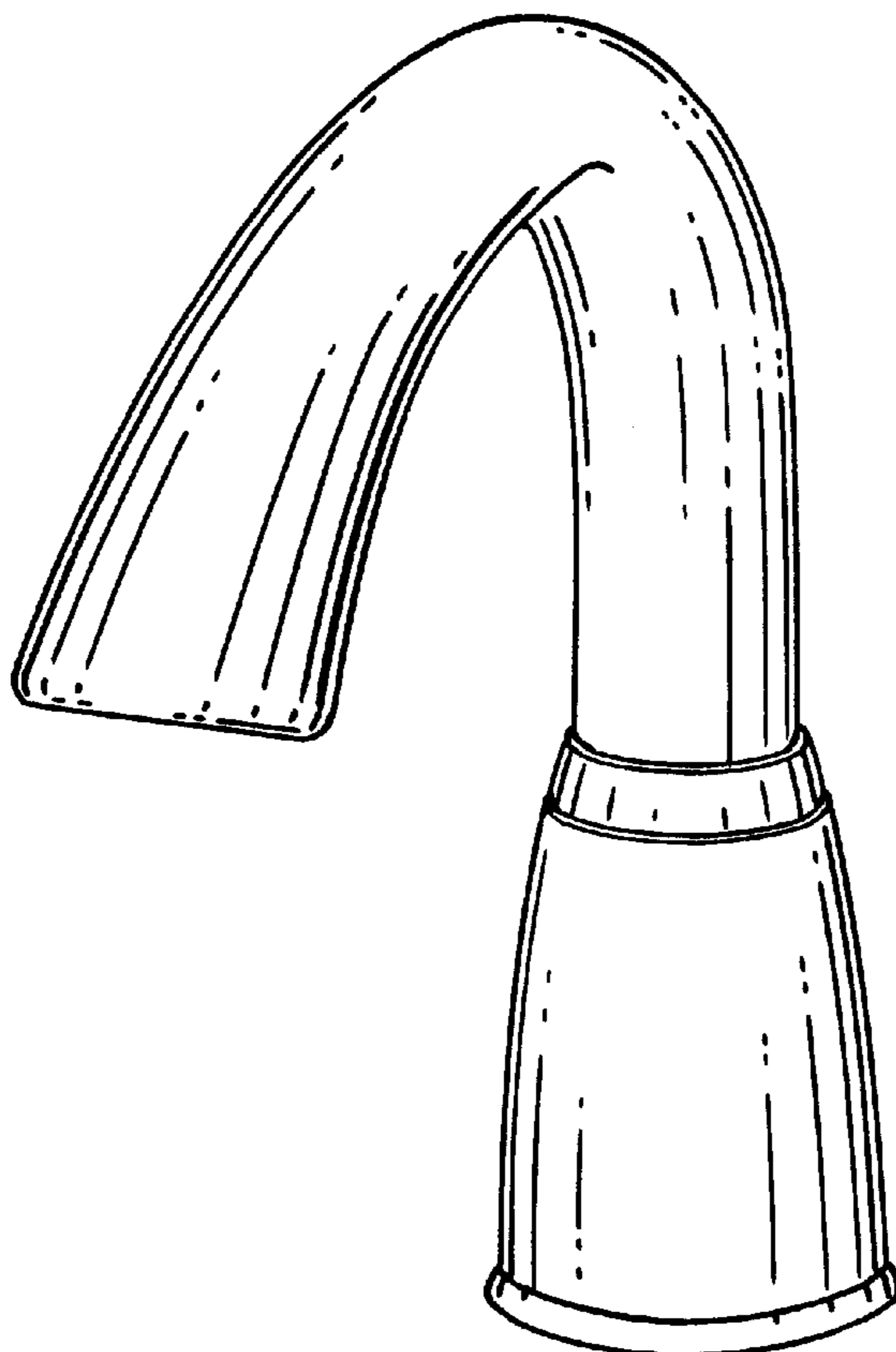
[57] **CLAIM**

The ornamental design for a tub spout, as shown and described.

DESCRIPTION

FIG. 1 is a front perspective view of our new design for a tub spout;
FIG. 2 is a right side view thereof, the left side being the same as the right side;
FIG. 3 is a front view thereof;
FIG. 4 is a rear view thereof;
FIG. 5 is a top view thereof; and
FIG. 6 is bottom view thereof.

1 Claim, 2 Drawing Sheets



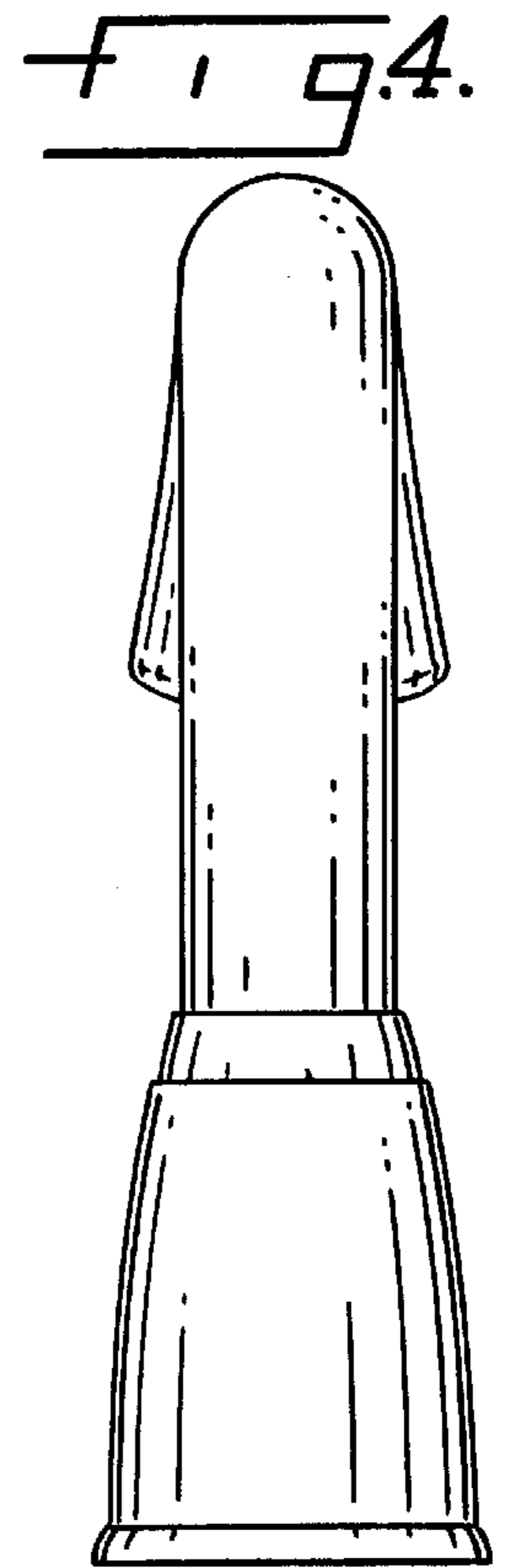
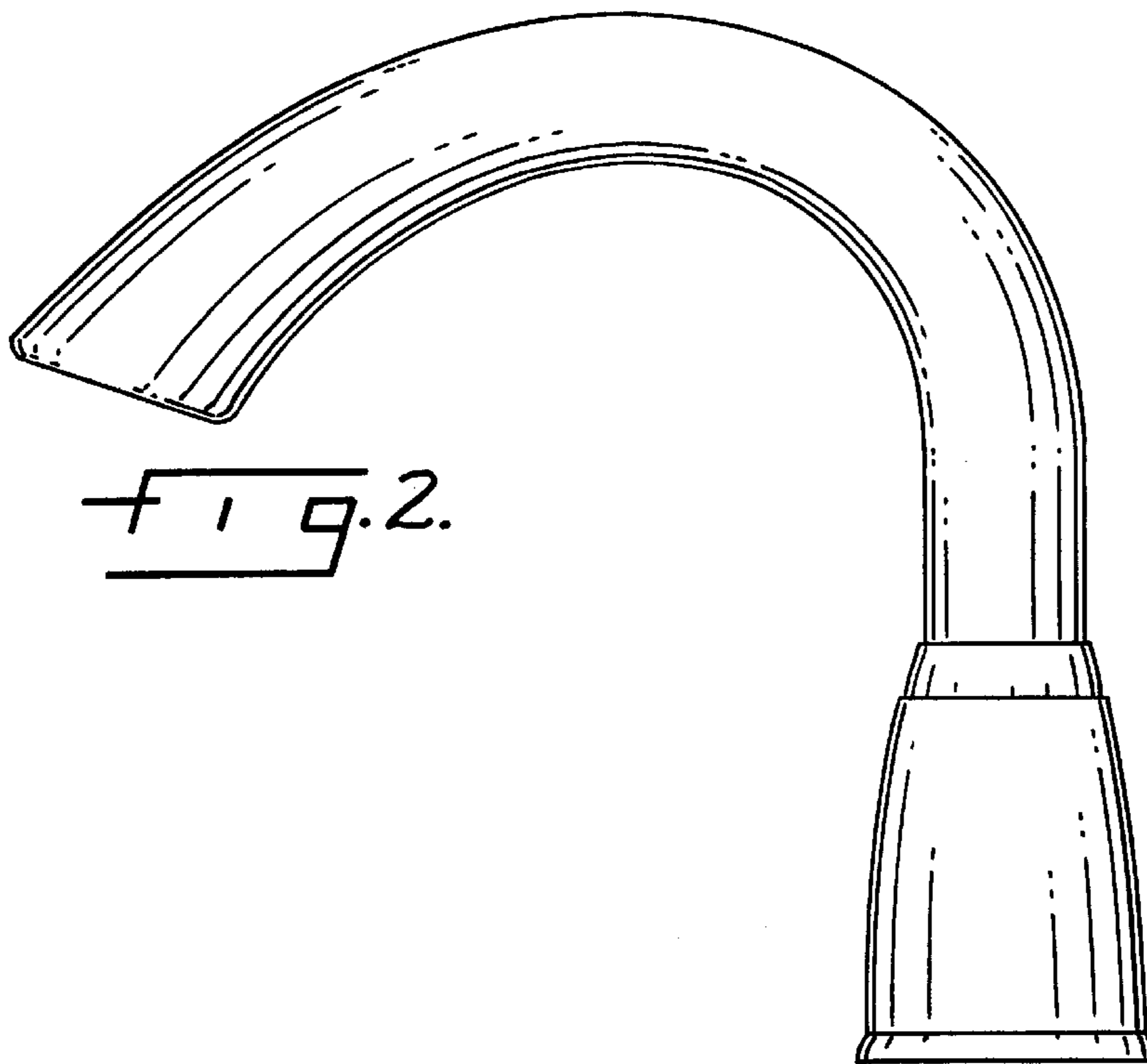
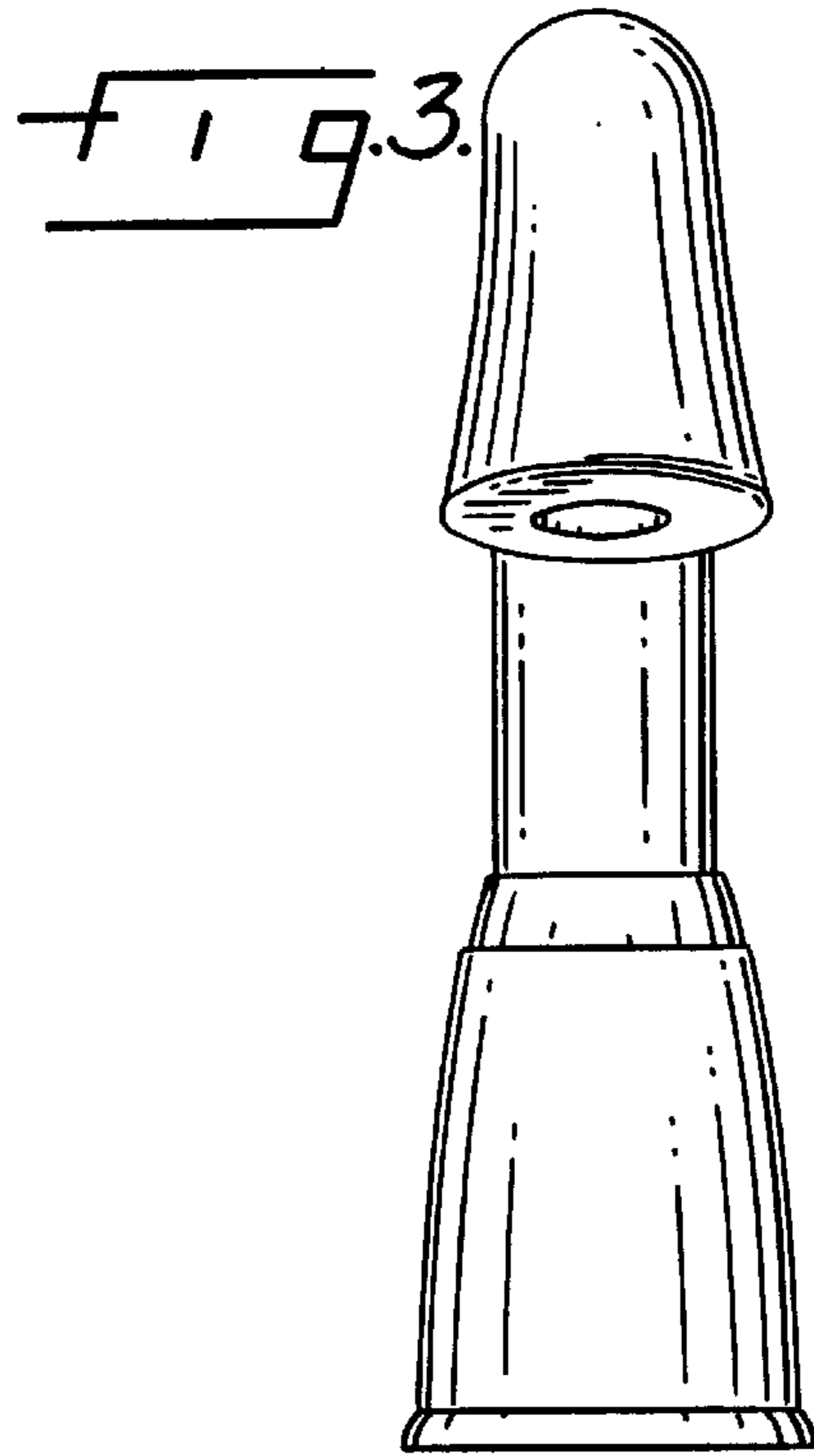
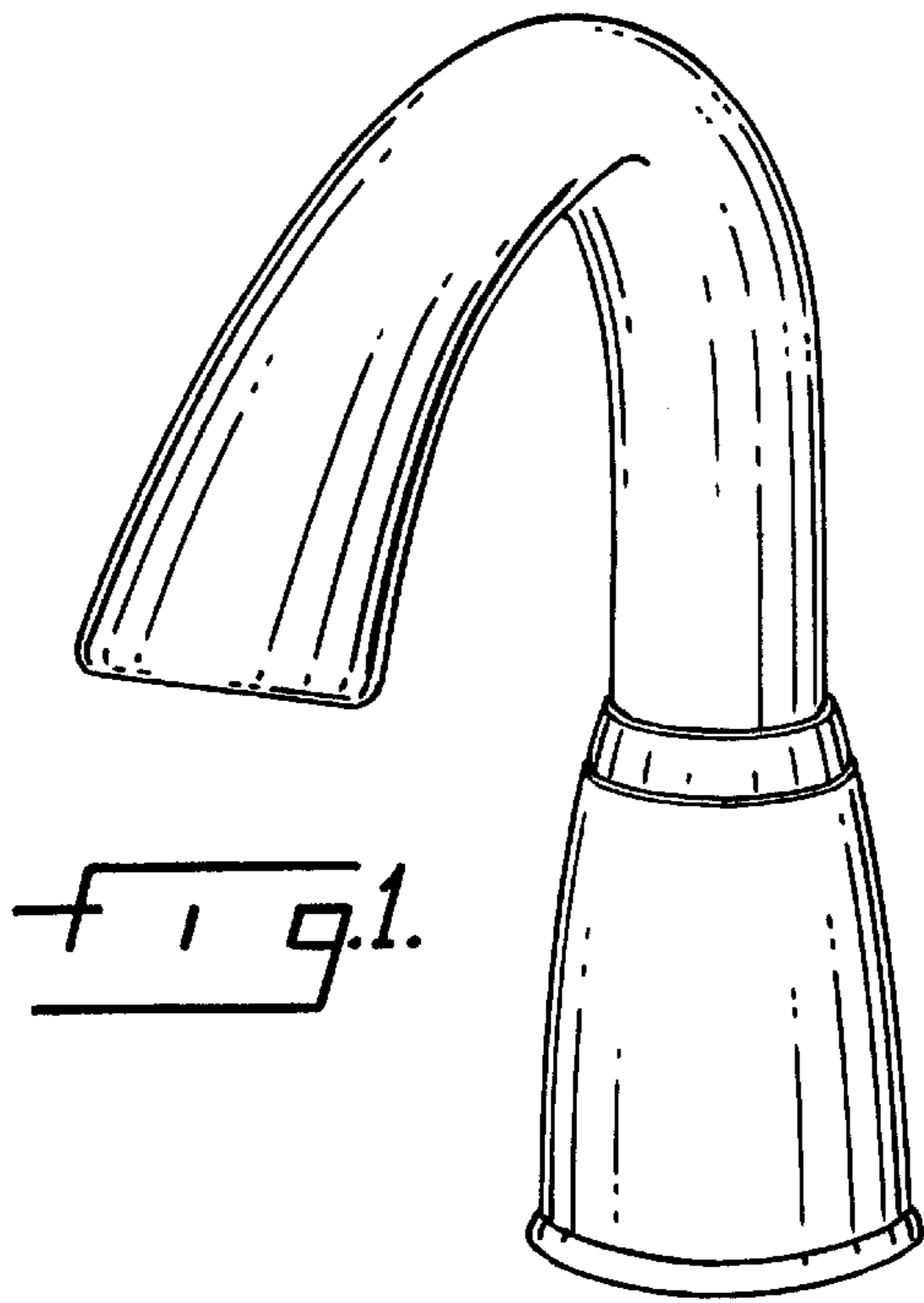


FIG. 5.

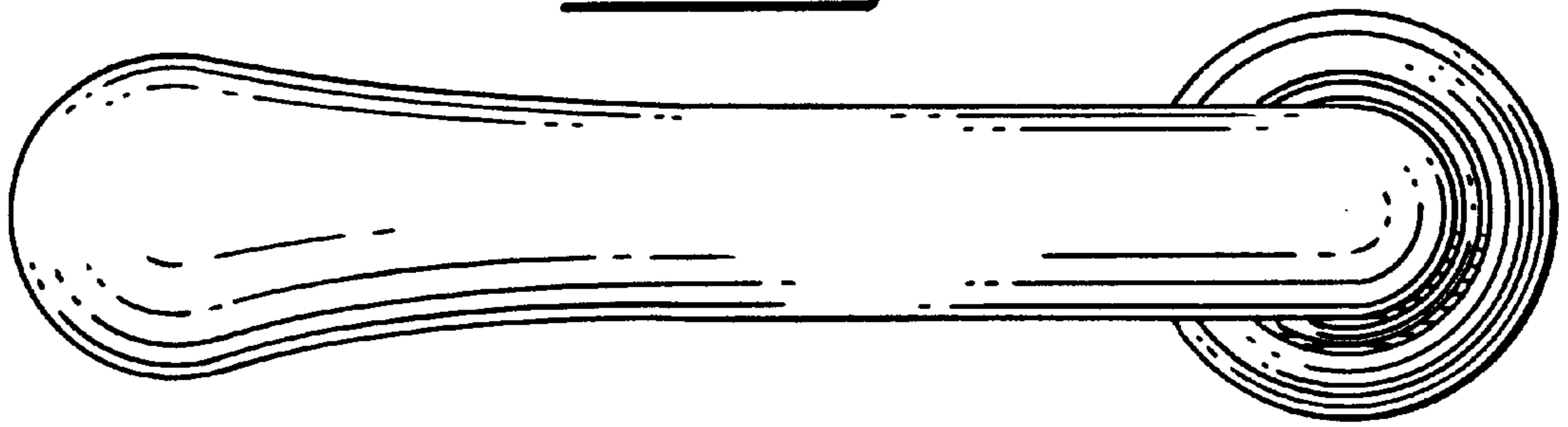


FIG. 6.

