



US00D426872S

United States Patent [19]

[11] Patent Number: Des. 426,872

Milrud et al.

[45] Date of Patent: ** Jun. 20, 2000

[54] FAUCET HANDLE

[75] Inventors: **Eduardo Milrud**, Chagrin Falls; **Daniel C. Buchner**, Lorain; **Shannon E. Mason**, Avon Lake, all of Ohio; **John C. Costello**, Wellesley, Mass.; **David Malina**; **Stephanie C. Schwarz**, both of Boston, Mass.; **Thorben Neu**, Cambridge, Mass.; **Kevin Young**, Newton, Mass.

[73] Assignee: **Moen Incorporated**, North Olmsted, Ohio

[**] Term: **14 Years**

[21] Appl. No.: **29/111,639**

[22] Filed: **Oct. 4, 1999**

[51] LOC (7) Cl. **23-01**

[52] U.S. Cl. **D23/252**

[58] Field of Search D23/238-243,
D23/250-257; D8/300-308; 16/110 R-121;
4/675-678

[56] **References Cited**

U.S. PATENT DOCUMENTS

- D. 276,259 11/1984 Miller .
- D. 285,106 8/1986 Yost .
- D. 288,835 3/1987 Yost .
- D. 290,388 6/1987 Yost .
- D. 318,717 7/1991 Spangler .
- D. 332,135 12/1992 Bonnell .
- D. 332,824 1/1993 Robbins .
- D. 357,525 4/1995 Fabian .

- D. 366,517 1/1996 Doughty et al. .
- D. 368,302 3/1996 Doughty et al. .
- D. 372,300 7/1996 Fabian .
- D. 384,130 9/1997 Doughty et al. .
- D. 384,132 9/1997 Doughty et al. .
- D. 384,394 9/1997 Doughty et al. .
- D. 384,402 9/1997 Doughty et al. .
- D. 385,016 10/1997 Doughty et al. .
- D. 390,921 2/1998 Steffes et al. .
- D. 391,831 3/1998 Doughty et al. .
- D. 393,692 4/1998 Ko .
- D. 395,812 7/1998 Doughty et al. .
- D. 399,930 10/1998 Lord .
- D. 404,470 1/1999 Pitsch et al. .
- D. 404,802 1/1999 Delker .

Primary Examiner—Eric Watterson
Attorney, Agent, or Firm—McEachran, Jambor, Keating, Bock & Kurtz

[57] **CLAIM**

The ornamental design for a faucet handle, as shown and described.

DESCRIPTION

FIG. 1 is a front perspective view of our new design for a faucet handle;
FIG. 2 is a left side view thereof, the right side being the same as the left side;
FIG. 3 is a front view thereof;
FIG. 4 is a rear view thereof;
FIG. 5 is a top view thereof; and,
FIG. 6 is a bottom view thereof.
The broken line showing is for illustrative purposes only and forms no part of the claimed design.

1 Claim, 1 Drawing Sheet

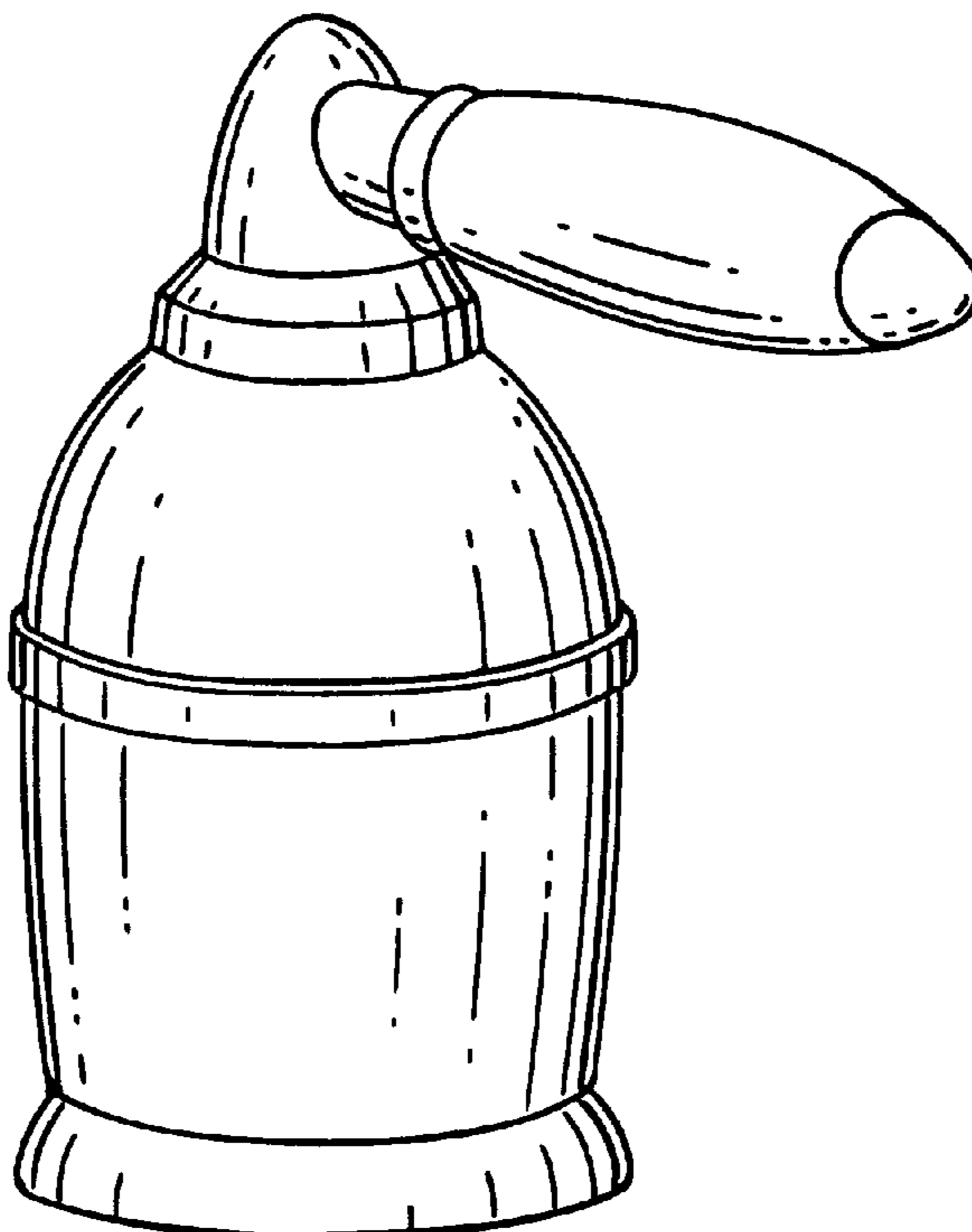


Fig. 1.

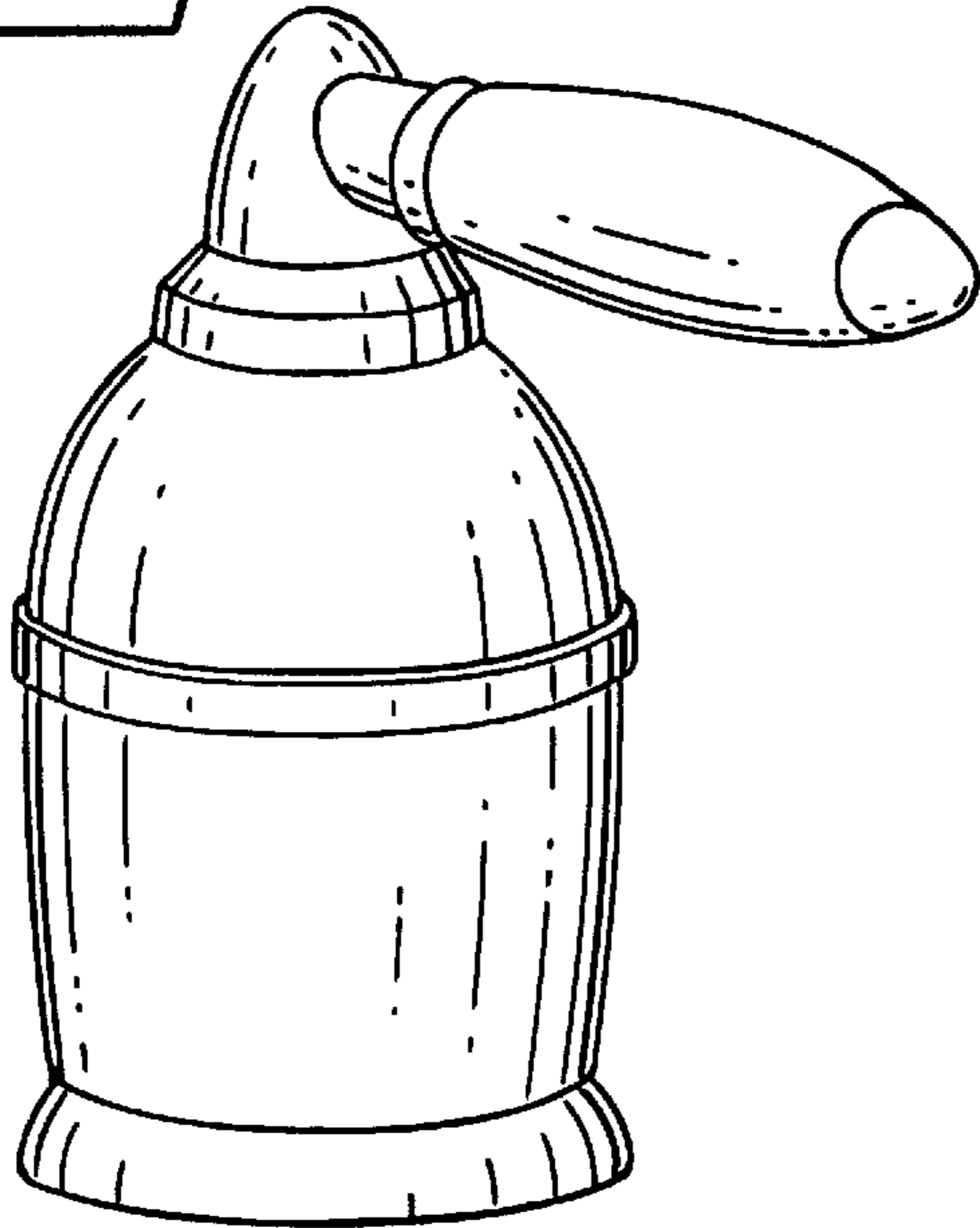


Fig. 3.

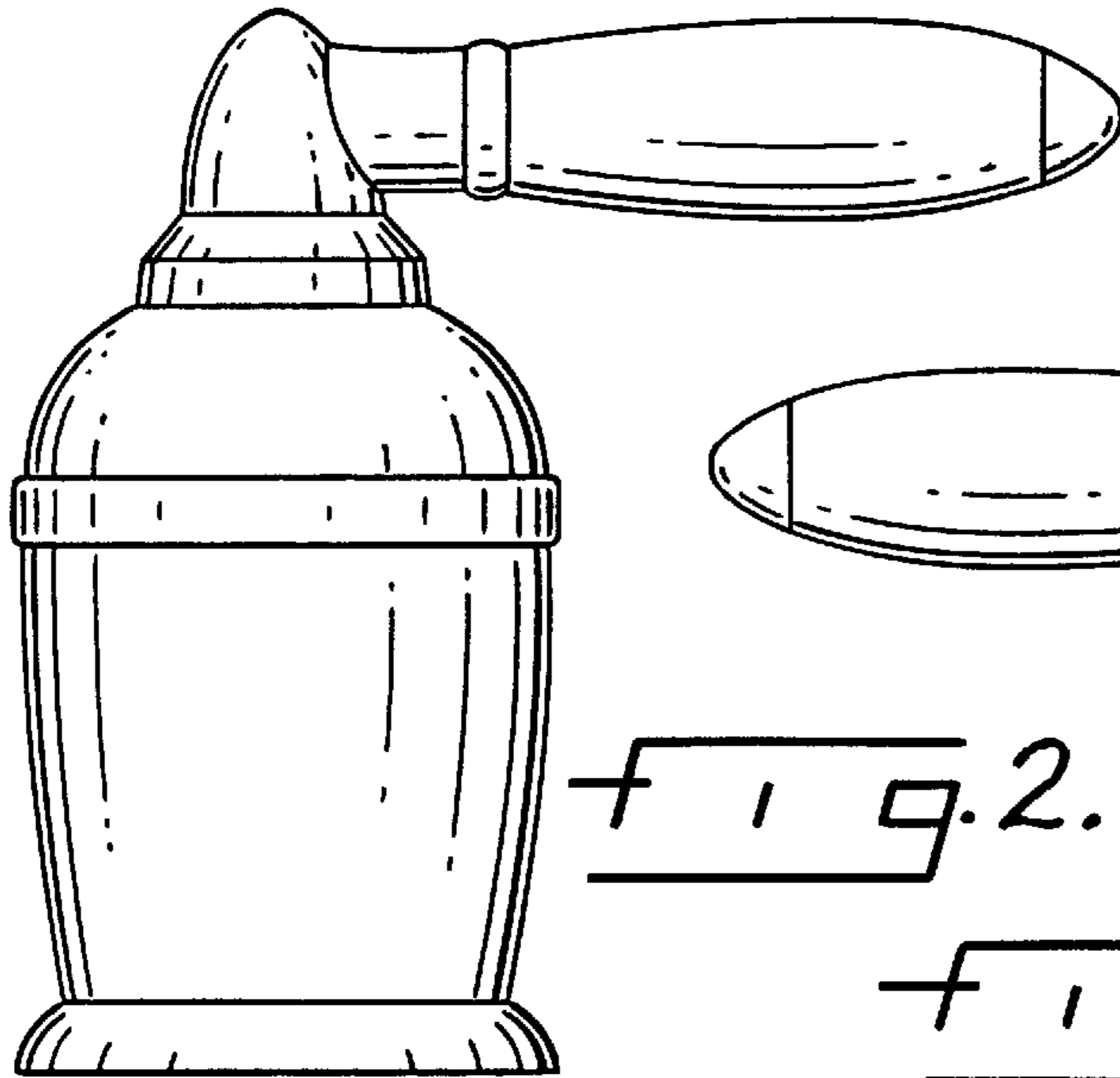
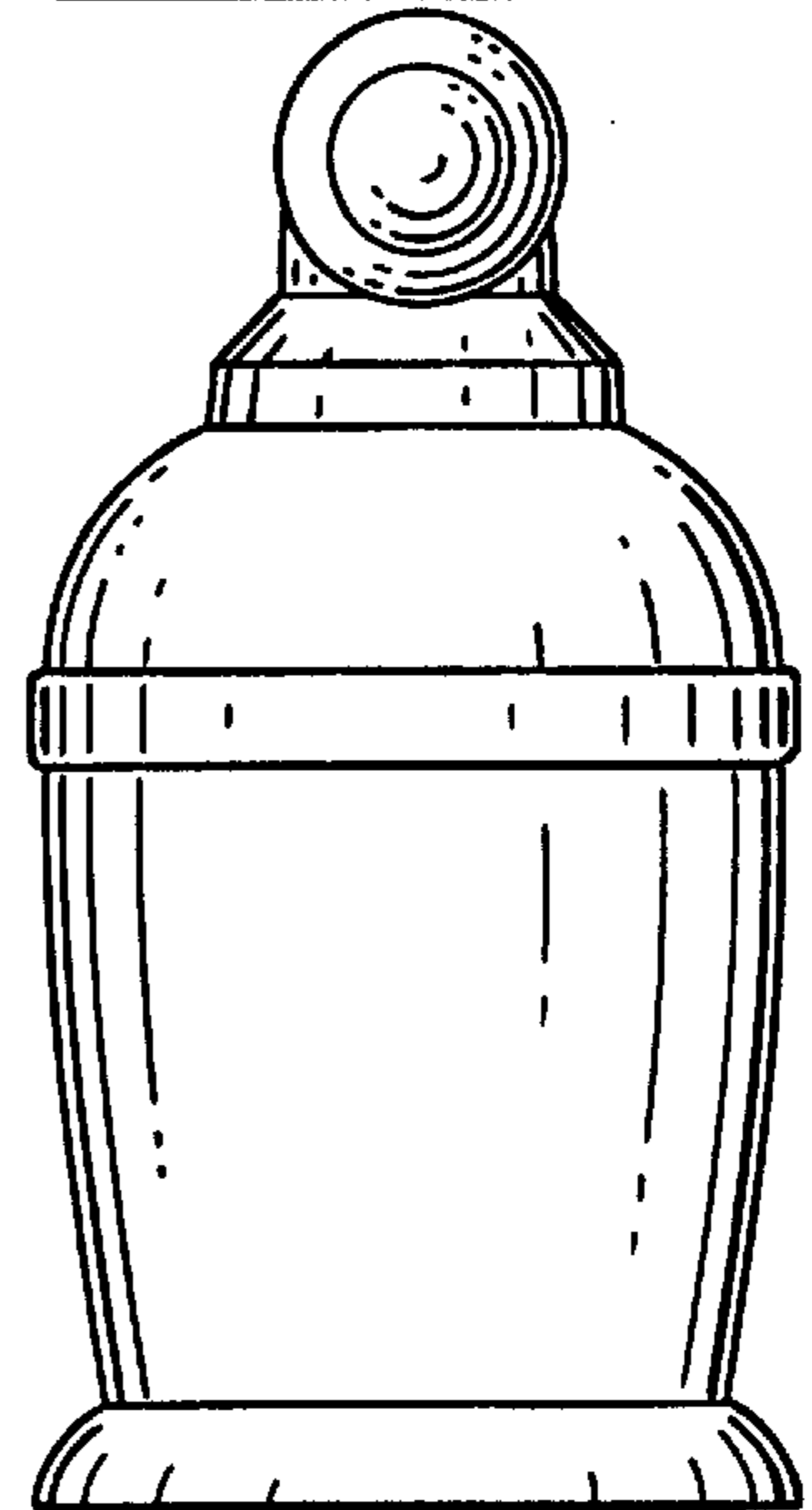


Fig. 6.

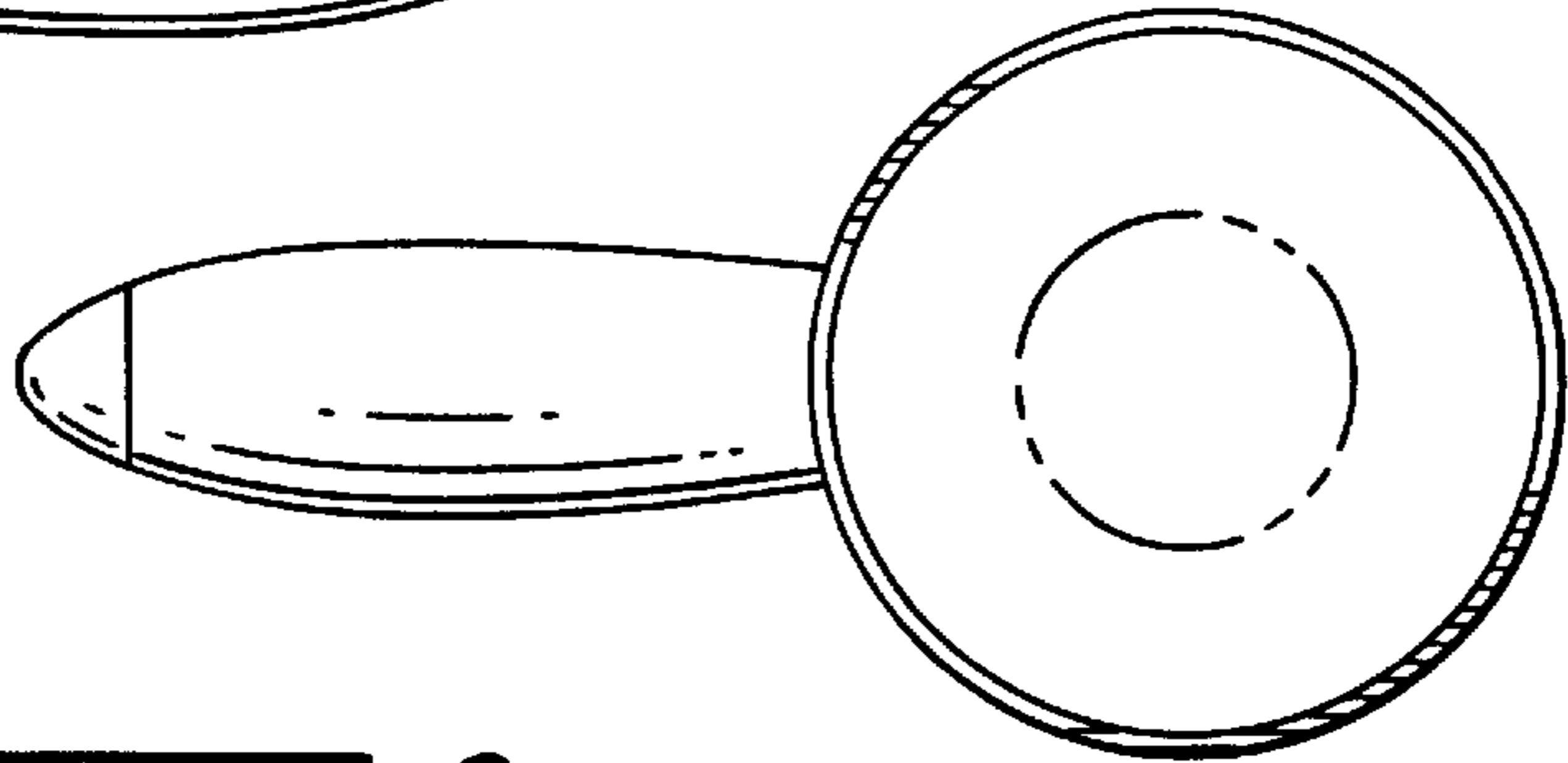


Fig. 2.

Fig. 4.

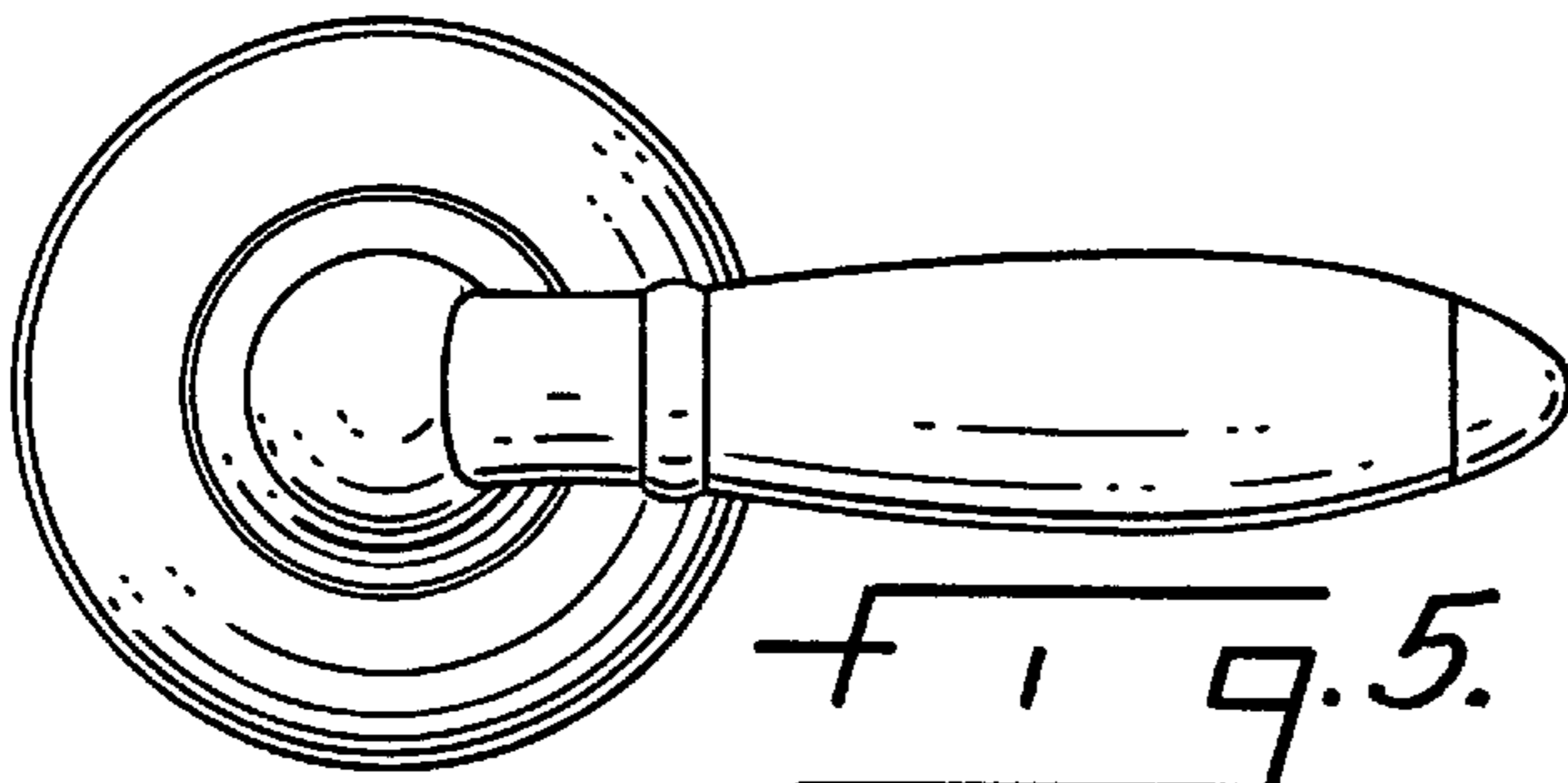


Fig. 5.

