



US00D426870S

United States Patent [19] Selepouchin

[11] **Patent Number: Des. 426,870**
[45] **Date of Patent: ** Jun. 20, 2000**

[54] **VALVE HANDLE**

[76] **Inventor: Vladimir Selepouchin**, 151 Harper Ter., Cedar Grove, N.J. 07009-2229

[**] **Term: 14 Years**

[21] **Appl. No.: 29/103,379**

[22] **Filed: Apr. 14, 1999**

[51] **LOC (7) Cl. 23-01**

[52] **U.S. Cl. D23/245; D8/398**

[58] **Field of Search D23/233-237, D23/244-249, 260; D8/397, 398; 411/435, 368; 403/230**

- 4,266,320 5/1981 Grant .
- 4,429,855 2/1984 Buffone .
- 4,629,157 12/1986 Tsuchiya et al. .
- 4,665,386 5/1987 Haws .
- 4,699,020 10/1987 Bush et al. .
- 4,706,598 11/1987 Jeffress .
- 4,876,766 10/1989 Cohen .
- 5,025,826 6/1991 Schoepe et al. .
- 5,511,286 4/1996 Williams et al. .
- 5,711,511 1/1998 Cynar .

Primary Examiner—Eric Watterson
Attorney, Agent, or Firm—Selitto & Associates

[57] CLAIM

The ornamental design for a valve handle, as shown and described.

[56] References Cited

U.S. PATENT DOCUMENTS

D. 181,558	11/1957	Urie	D8/398
D. 302,110	7/1989	Gonzalez	D8/398
D. 302,243	7/1989	Gonzalez	D8/398
D. 317,705	6/1991	Tinz	D8/307
D. 373,305	9/1996	Decursu et al.	D8/398
D. 373,623	9/1996	Mathison	D23/260
1,980,087	11/1934	Rast	.	
2,569,632	10/1951	Hauck	403/230
3,006,231	10/1961	Kahn	411/437
3,552,257	1/1971	Tanabe	411/368
4,131,133	12/1978	Huwe	.	

DESCRIPTION

FIG. 1 is a perspective view of a valve handle showing my new design;
 FIG. 2 is a front elevational view thereof and the rear elevational view thereof is identical;
 FIG. 3 is a right side elevational view thereof and the left side elevational view thereof is identical;
 FIG. 4 is a top plan view thereof; and,
 FIG. 5 is a bottom plan view thereof.

1 Claim, 2 Drawing Sheets

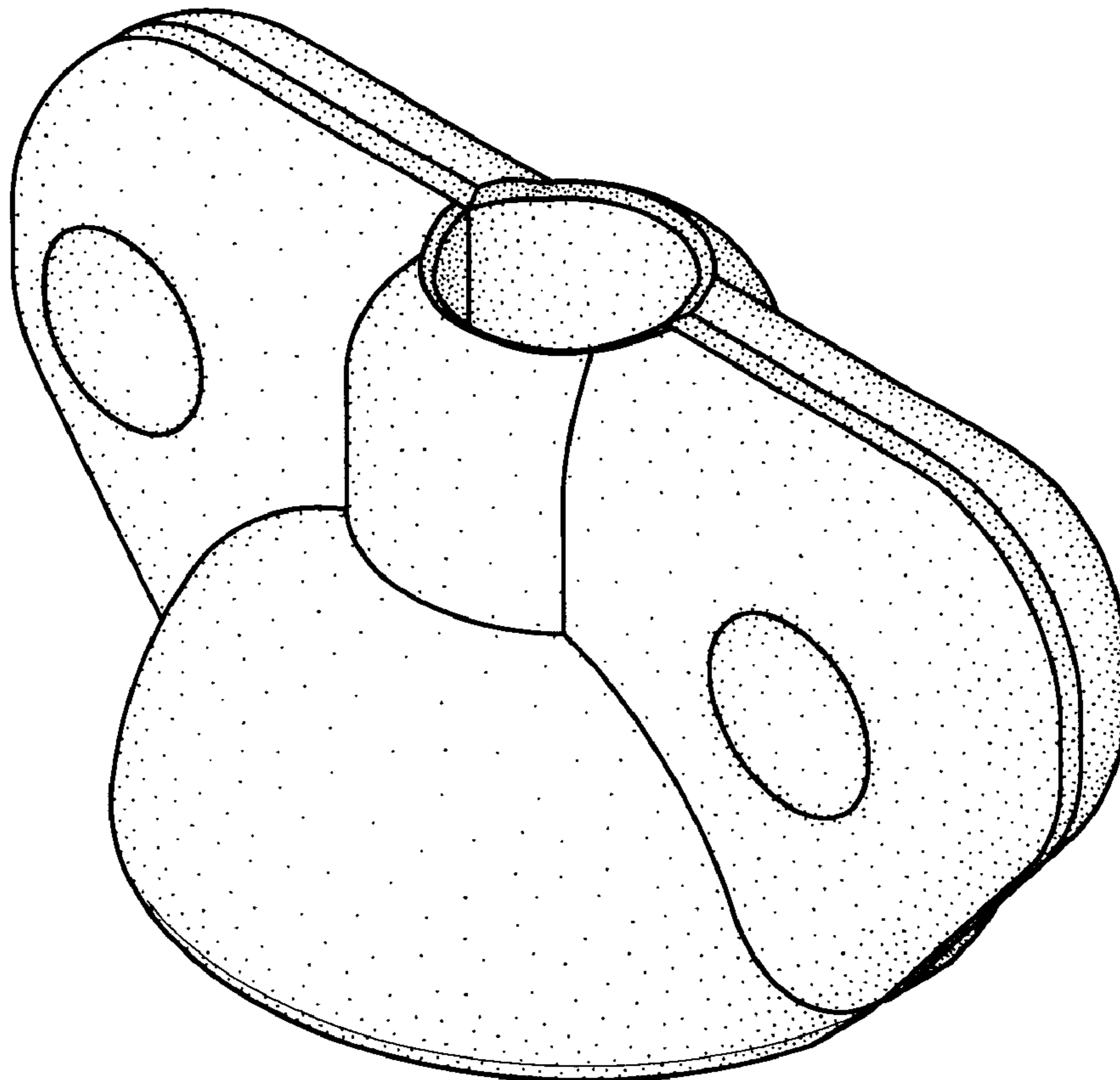


FIG. 1

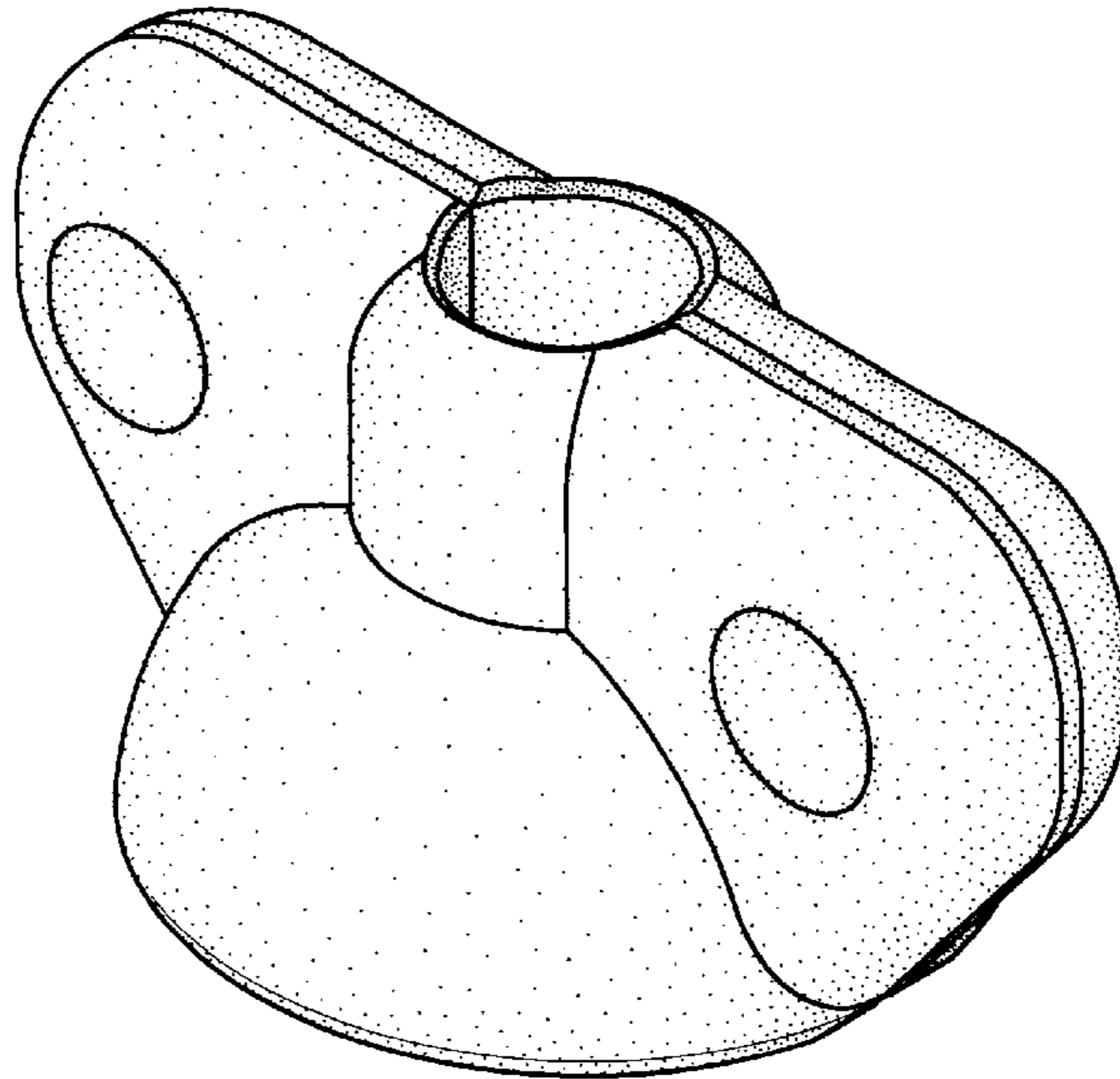


FIG. 2

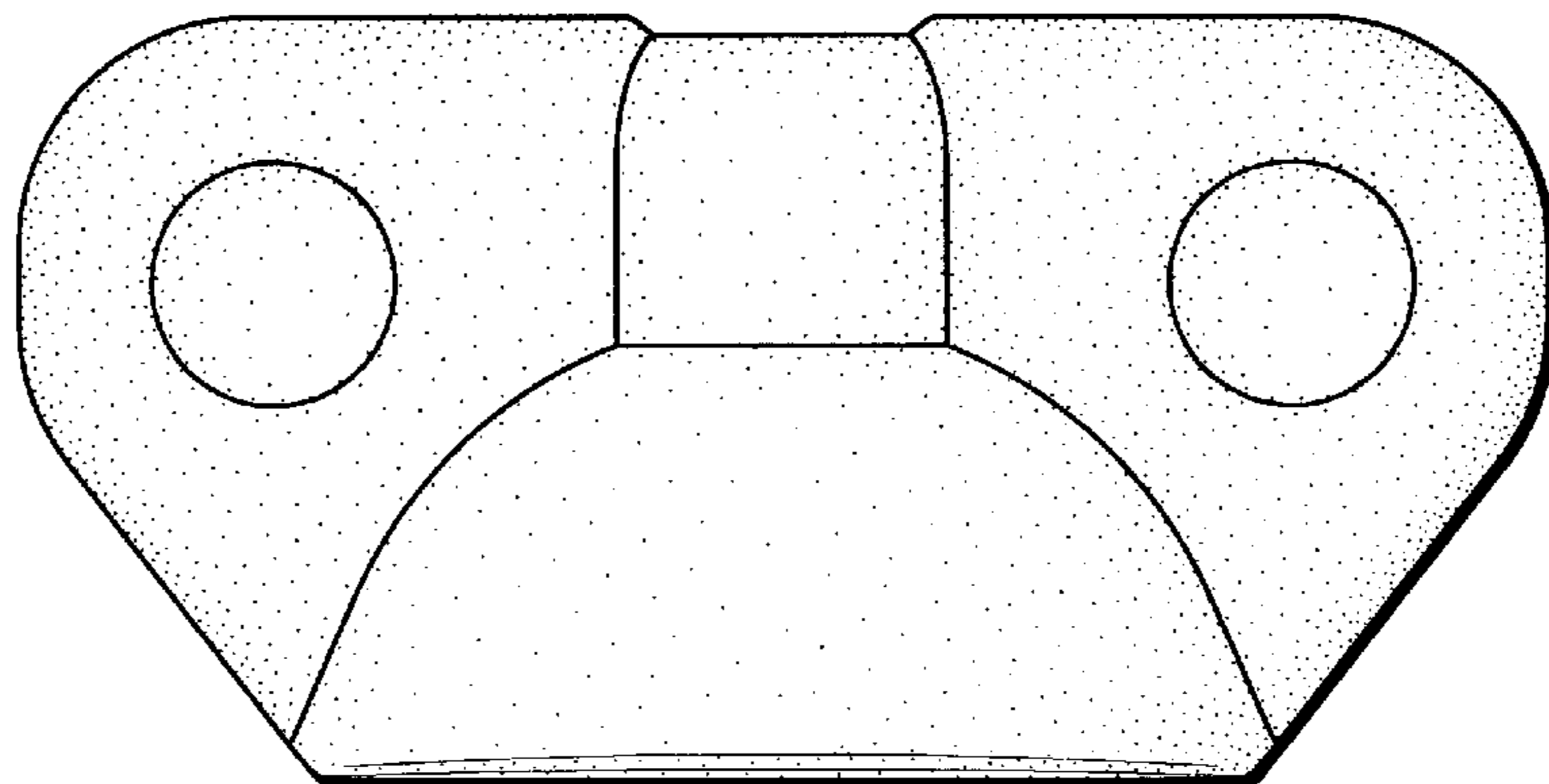


FIG. 3

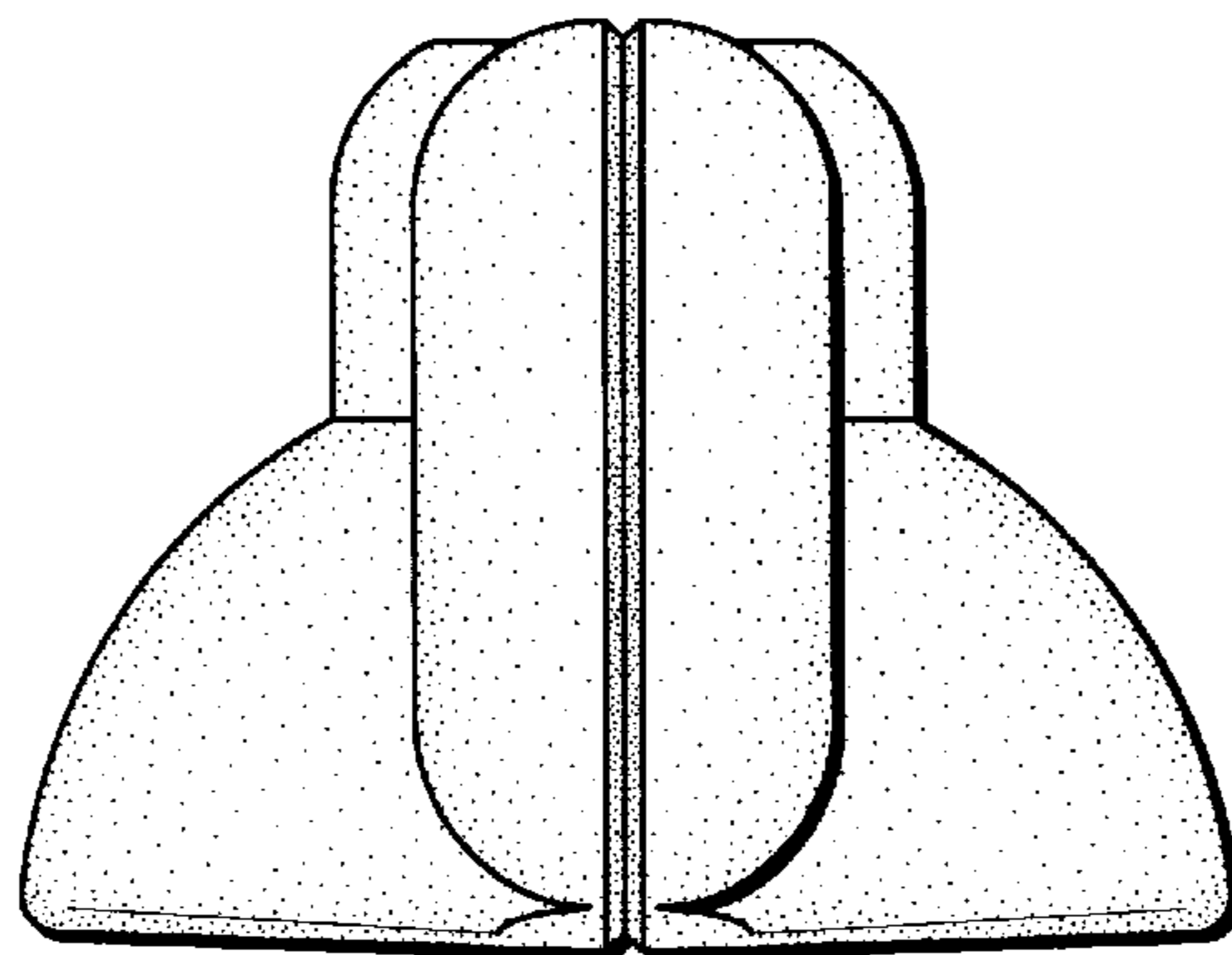


FIG. 4

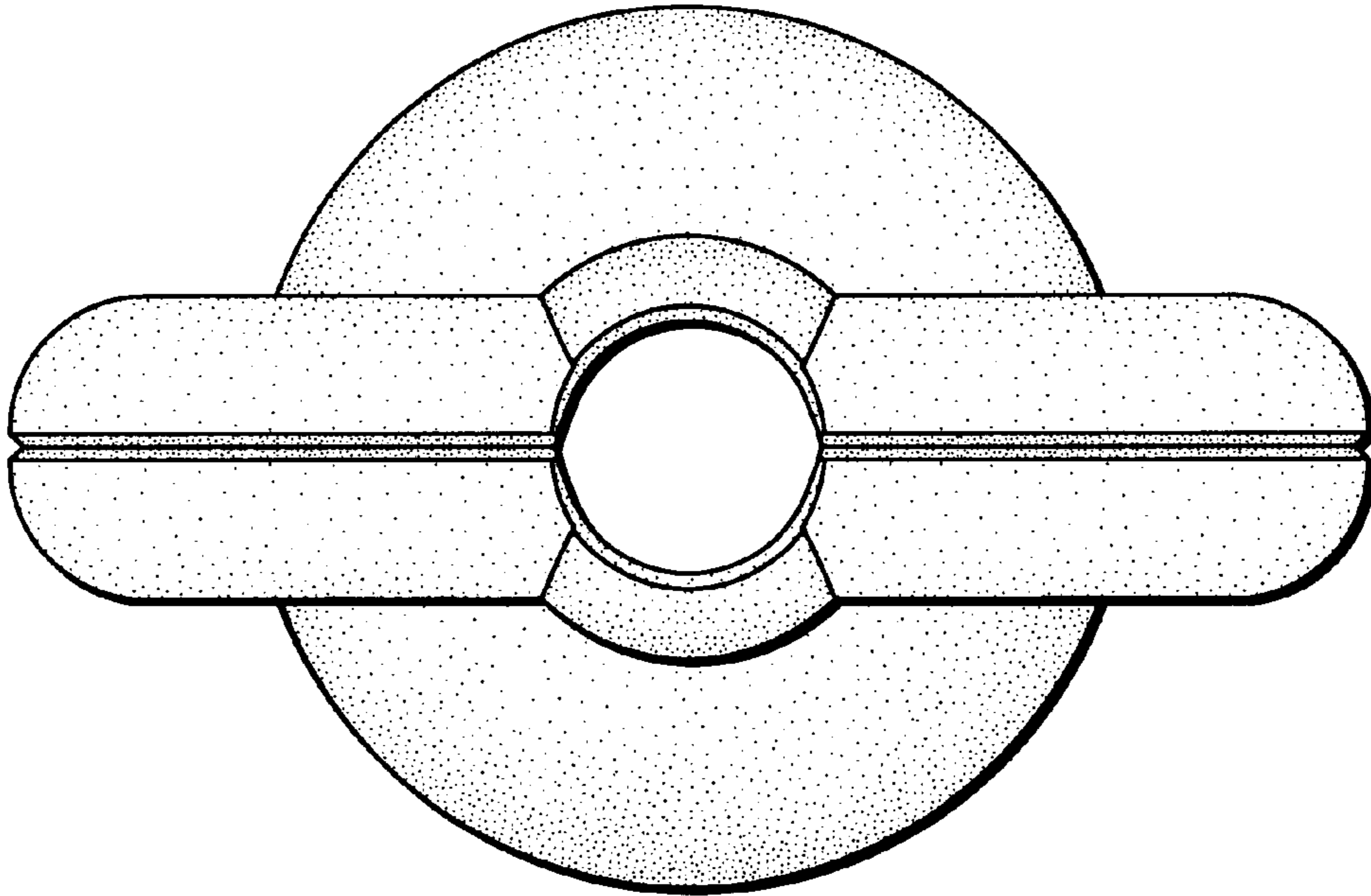


FIG. 5

