



US00D426869S

# United States Patent [19] Chan

[11] **Patent Number: Des. 426,869**

[45] **Date of Patent: \*\* Jun. 20, 2000**

[54] **SHOWER HEAD**

D. 313,456 1/1991 Presman ..... D23/213  
D. 375,541 11/1996 Michaluk ..... D23/213  
D. 394,897 6/1998 Chan ..... D23/213

[75] Inventor: **Jason Siu Ming Chan**, North Point,  
The Hong Kong Special Administrative  
Region of the People's Republic of  
China

*Primary Examiner*—Robin V. Taylor  
*Attorney, Agent, or Firm*—Leydig, Voit & Mayer

[73] Assignee: **Aquamate Company Limited**,  
Kowloon Bay, The Hong Kong Special  
Administrative Region of the People's  
Republic of China

[57] **CLAIM**

The ornamental design for a showerhead, as shown and  
described.

[\*\*] Term: **14 Years**

**DESCRIPTION**

[21] Appl. No.: **29/111,489**

FIG. 1 is a front, left side and bottom perspective view of a  
showerhead showing my new design;

[22] Filed: **Sep. 30, 1999**

FIG. 2 is a front elevational view thereof;

[51] **LOC (7) Cl.** ..... **23-01**

FIG. 3 is a top plan view thereof;

[52] **U.S. Cl.** ..... **D23/229**

FIG. 4 is a left side elevational view thereof;

[58] **Field of Search** ..... D23/213, 223,  
D23/229, 228, 230; 239/461-462, 567

FIG. 5 is a right side elevational view thereof;

FIG. 6 is a rear elevational view thereof; and,

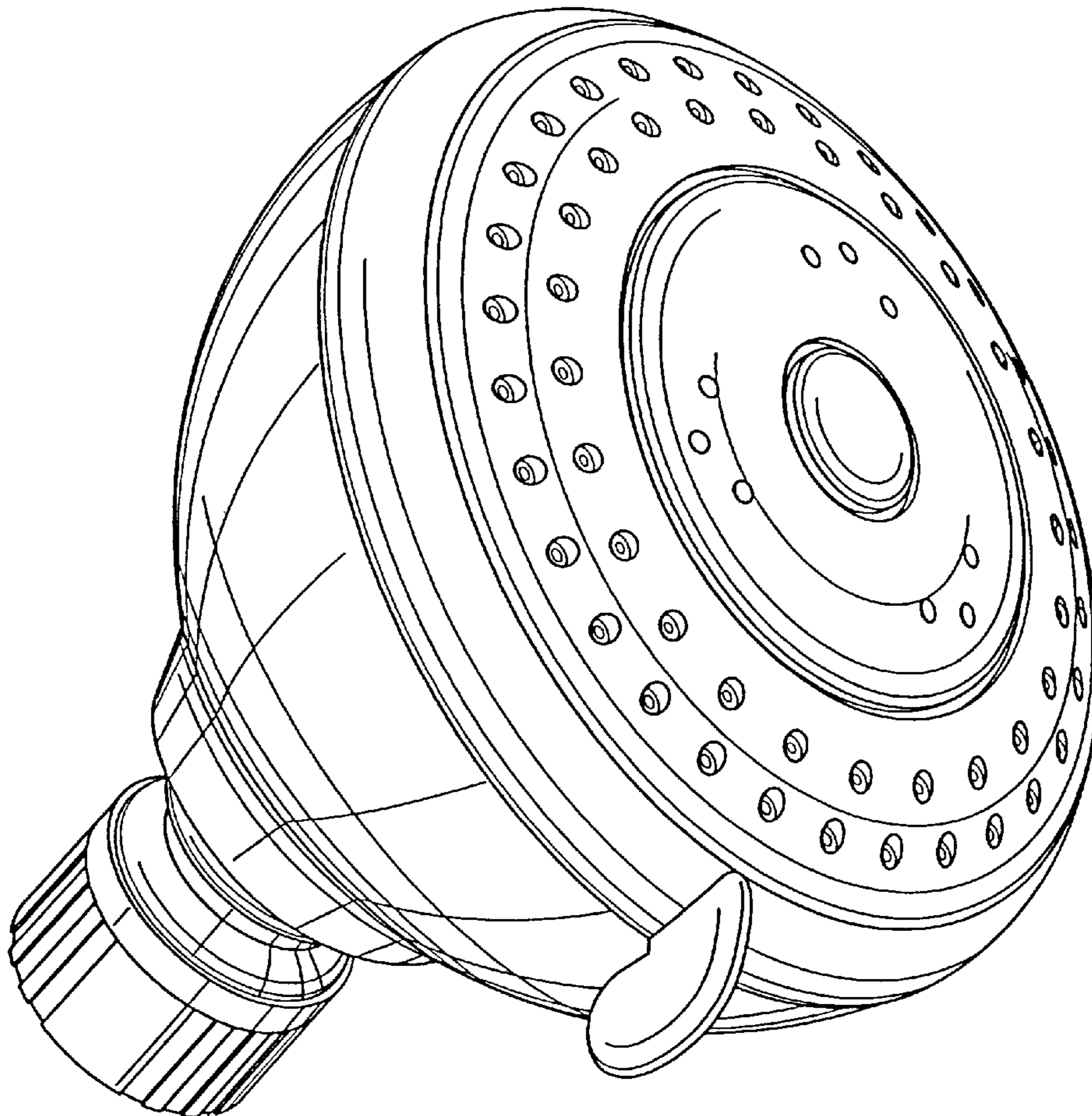
FIG. 7 is a bottom plan view thereof.

[56] **References Cited**

U.S. PATENT DOCUMENTS

D. 115,795 7/1939 Reinecke ..... D23/213

**1 Claim, 4 Drawing Sheets**



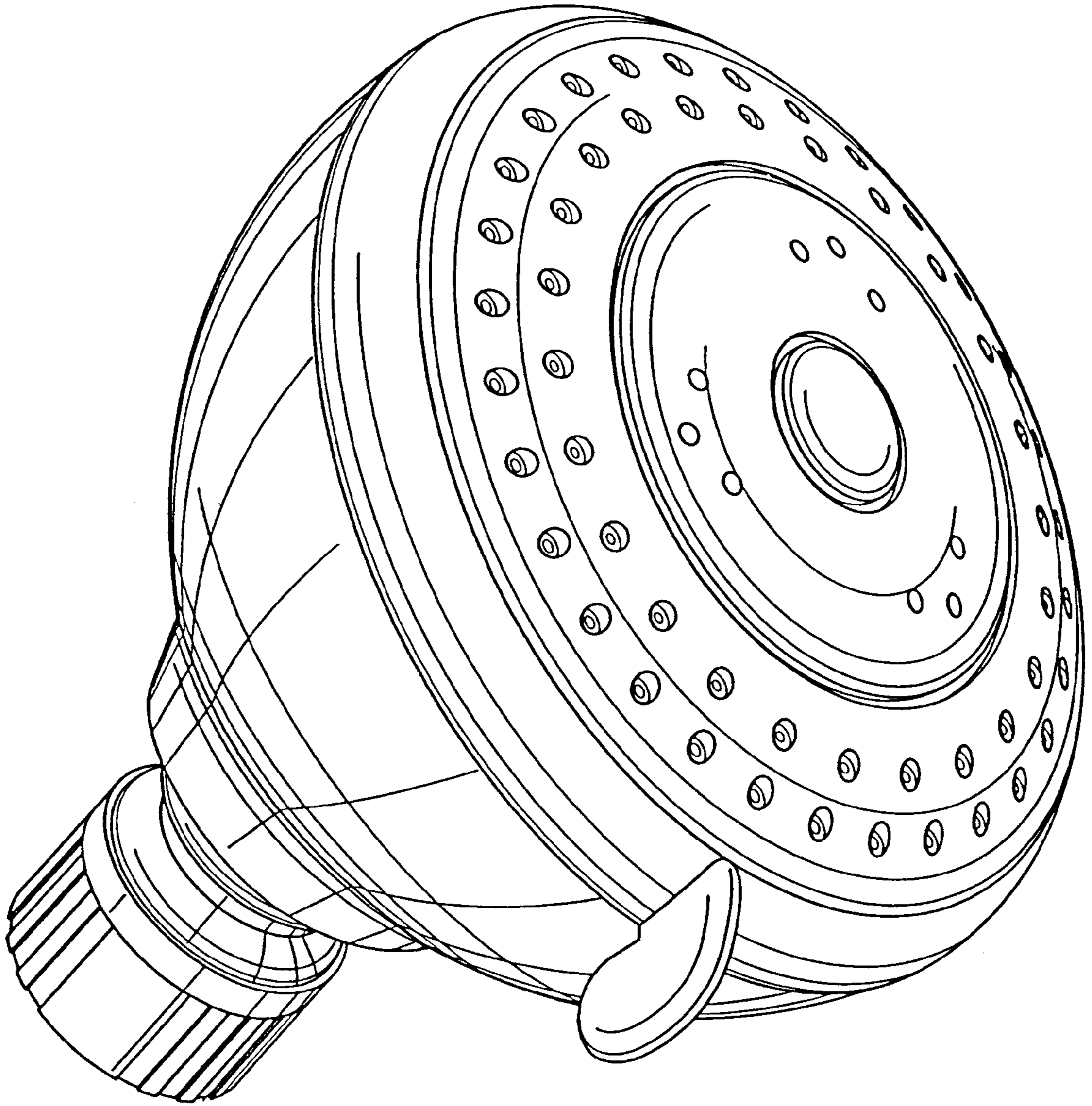


FIG. 1

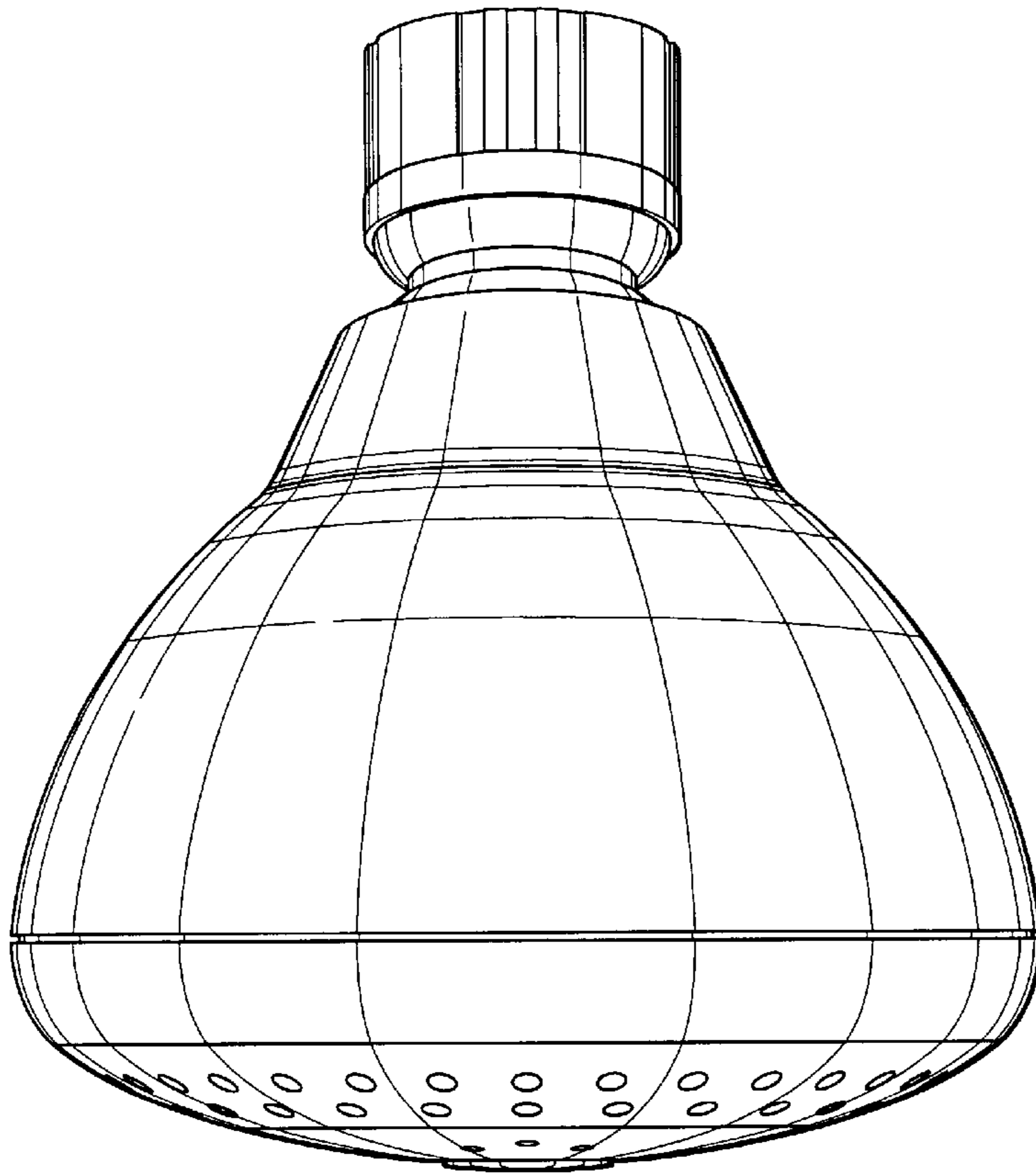


FIG. 3

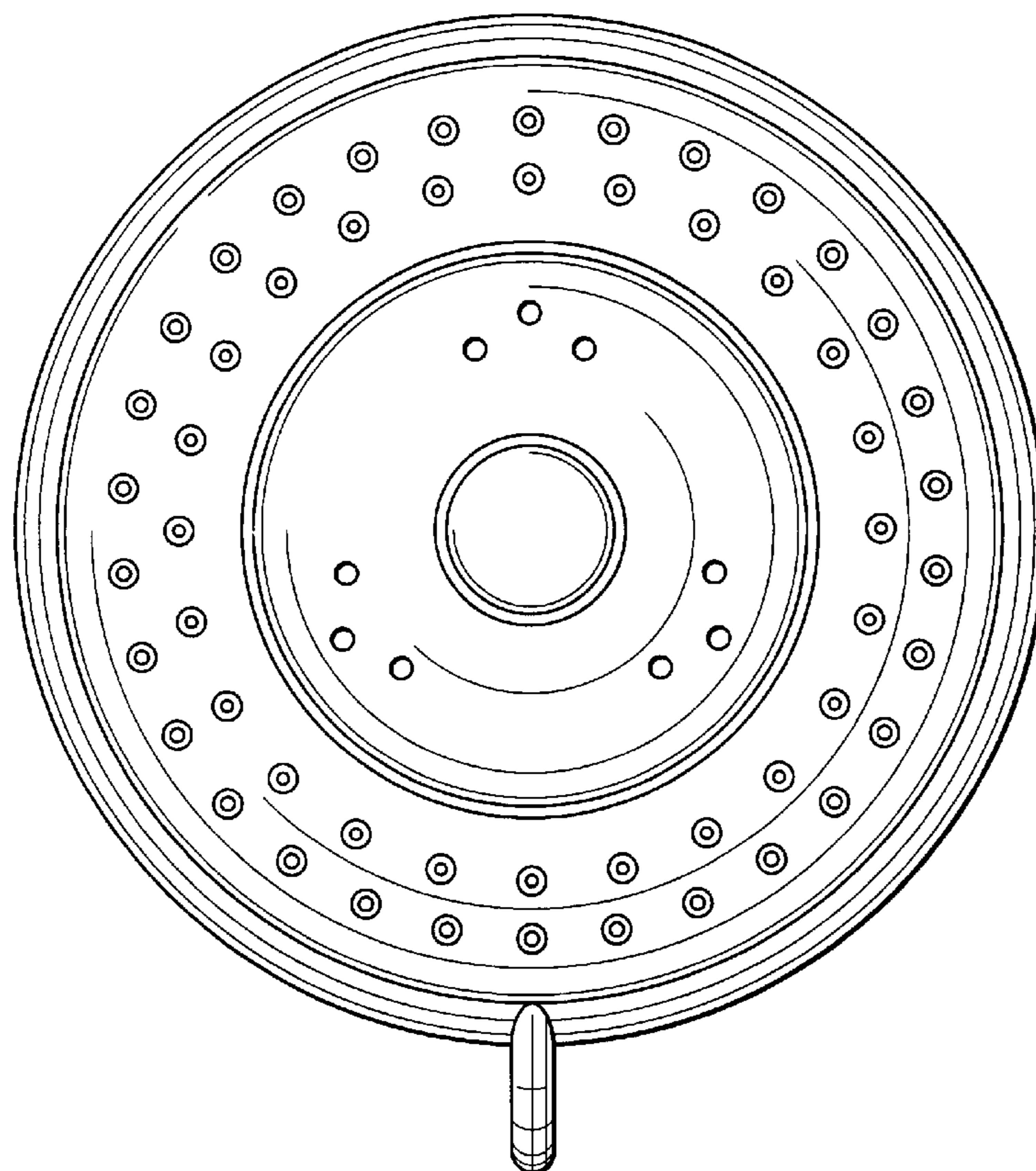


FIG. 2



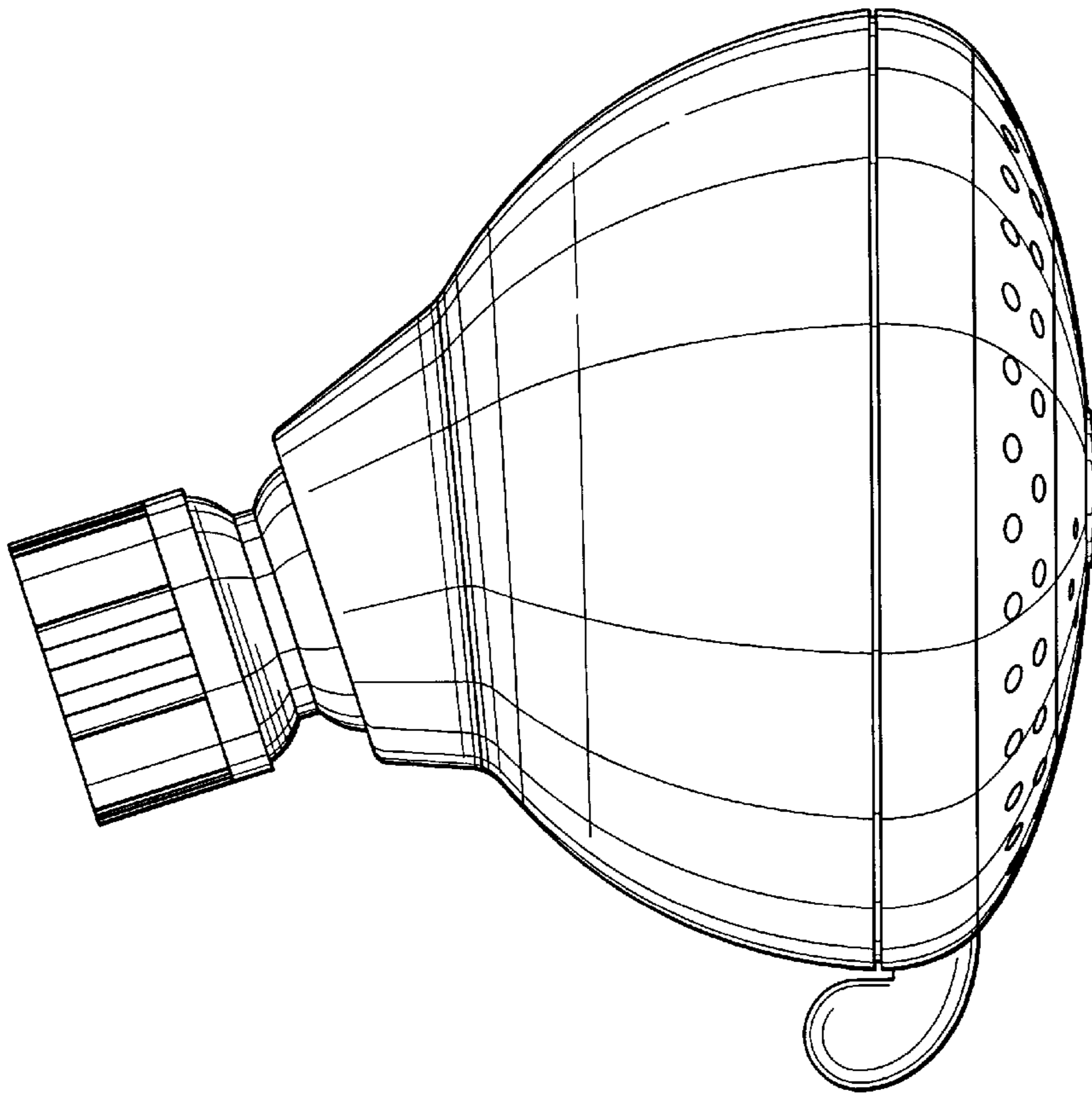


FIG. 4

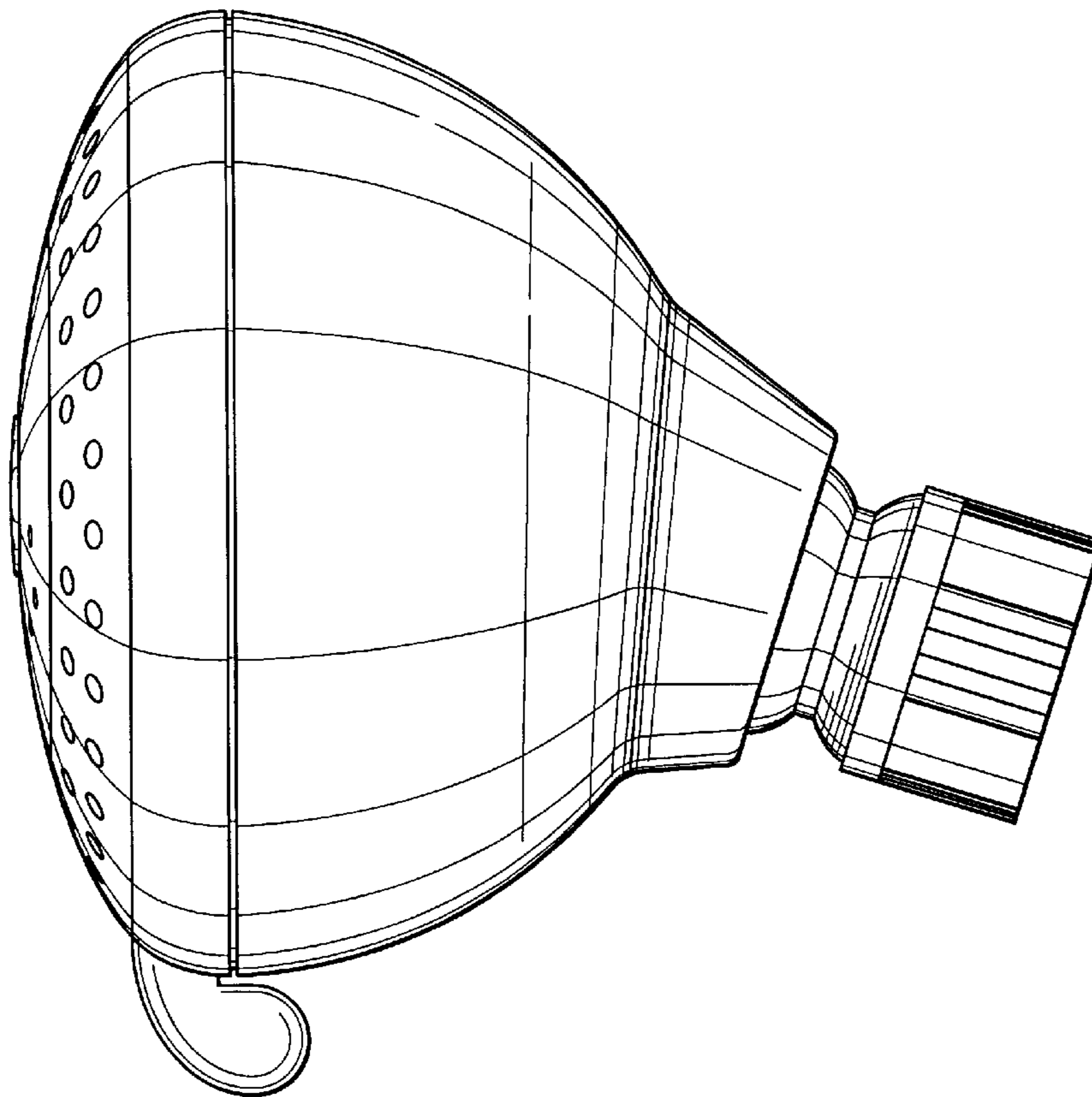


FIG. 5

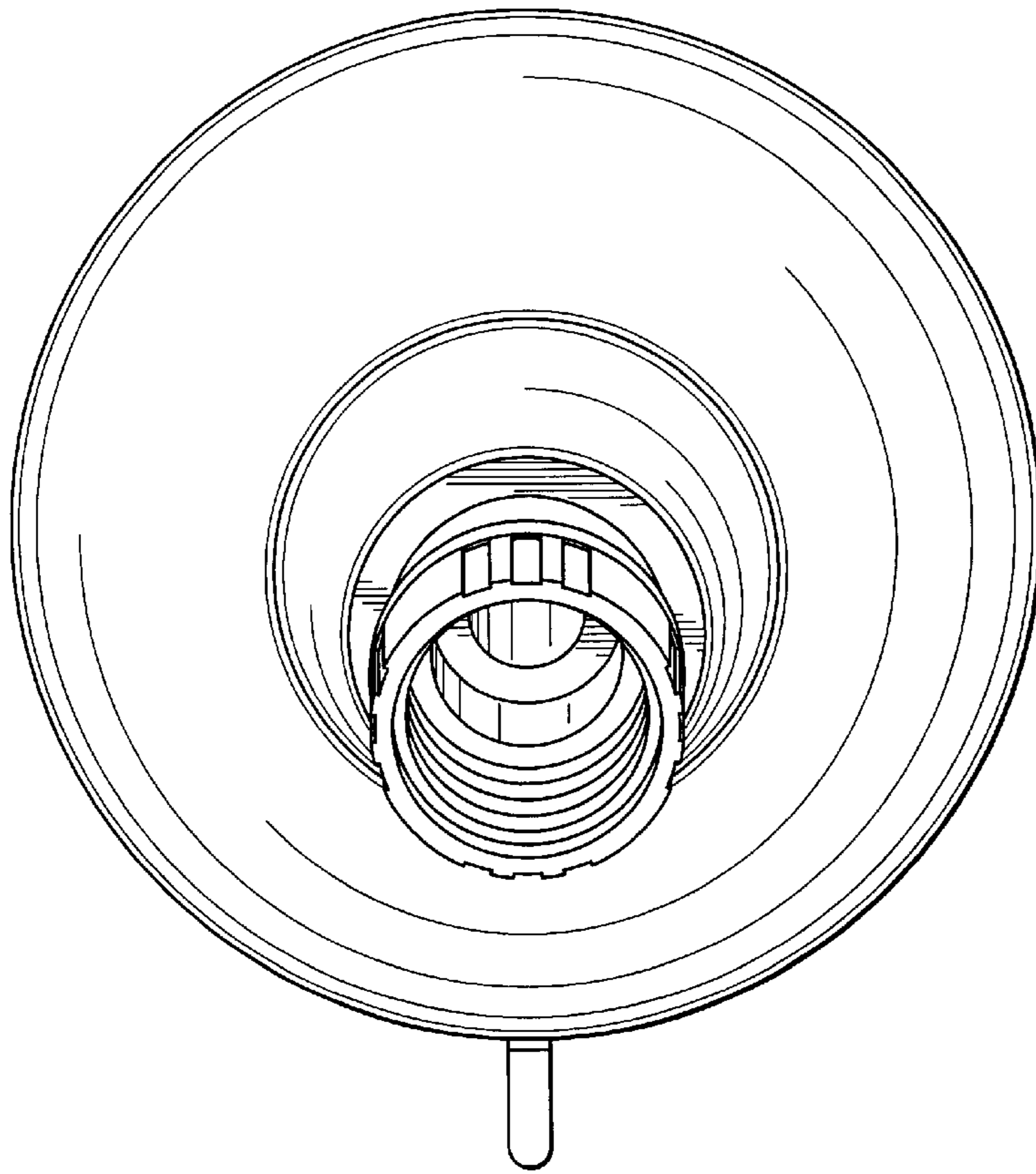


FIG. 6

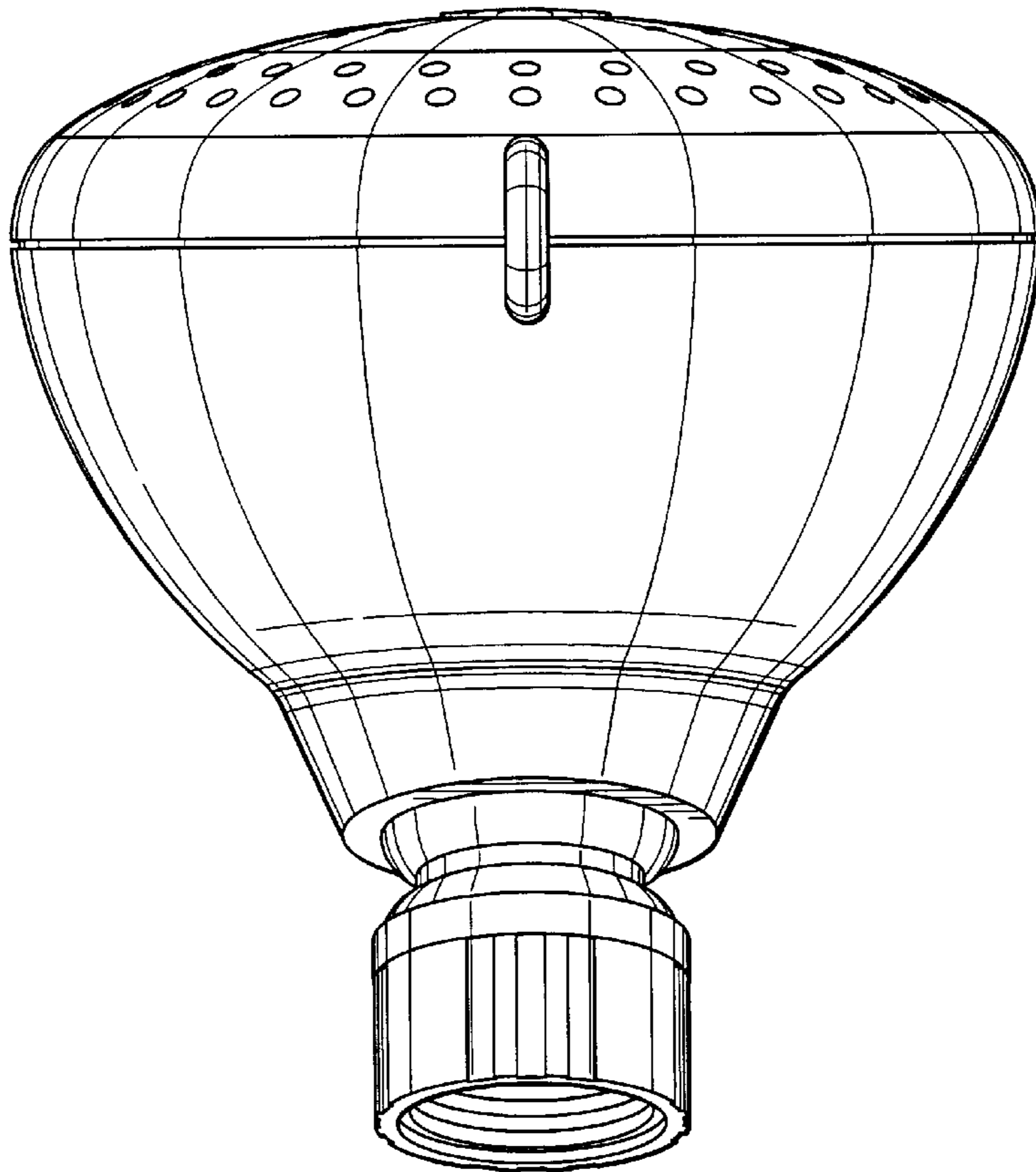


FIG. 7