



US00D426868S

United States Patent [19] Kuo

[11] Patent Number: **Des. 426,868**

[45] Date of Patent: **** Jun. 20, 2000**

[54] **SPRAY GUN**

D. 401,670 11/1998 Goodin D23/226
D. 402,000 12/1998 Goodin D23/226

[76] Inventor: **Wen-Li Kuo**, No. 10, Fang-Dong Road,
Wen-Chen Tsun, Fang-Yuan Hsiang,
Chang-Hua hsien, Taiwan

Primary Examiner—Robin V. Taylor
Attorney, Agent, or Firm—Bacon & Thomas, PLLC

[**] Term: **14 Years**

[57] **CLAIM**

The ornamental design for a spray gun, as shown.

[21] Appl. No.: **29/104,687**

DESCRIPTION

[22] Filed: **May 10, 1999**

[51] **LOC (7) Cl.** **23-01**

[52] **U.S. Cl.** **D23/226**

[58] **Field of Search** D23/213, 223,
D23/226; 239/525-528

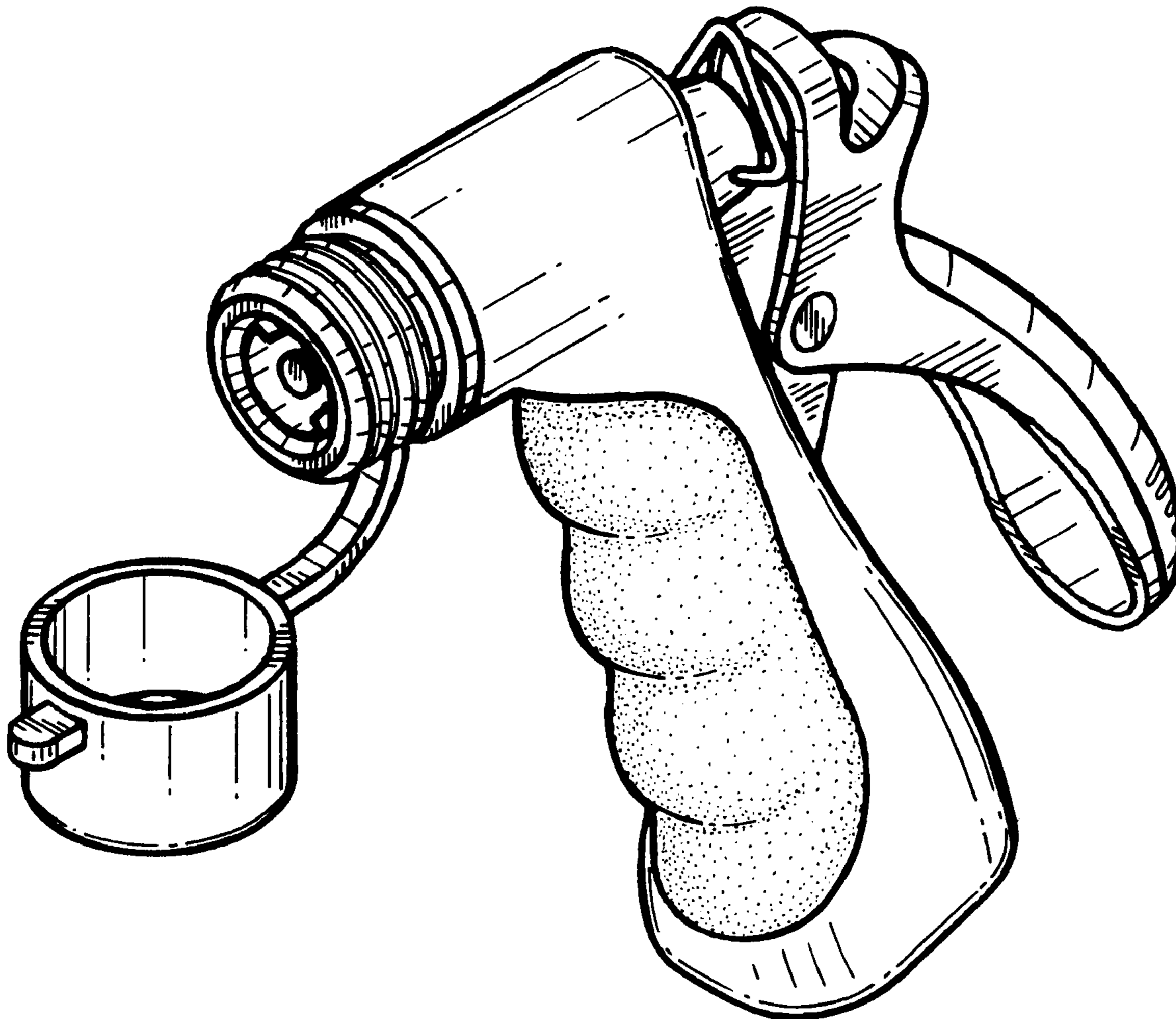
FIG. 1 is a front view of a spray gun showing my new design;
FIG. 2 is a rear view thereof;
FIG. 3 is a left view thereof;
FIG. 4 is a right view thereof;
FIG. 5 is a top view thereof;
FIG. 6 is a bottom view thereof; and,
FIG. 7 is a perspective view thereof.

[56] **References Cited**

U.S. PATENT DOCUMENTS

D. 328,780 8/1992 Aquilina D23/226
D. 382,935 8/1997 Wang D23/223

1 Claim, 4 Drawing Sheets



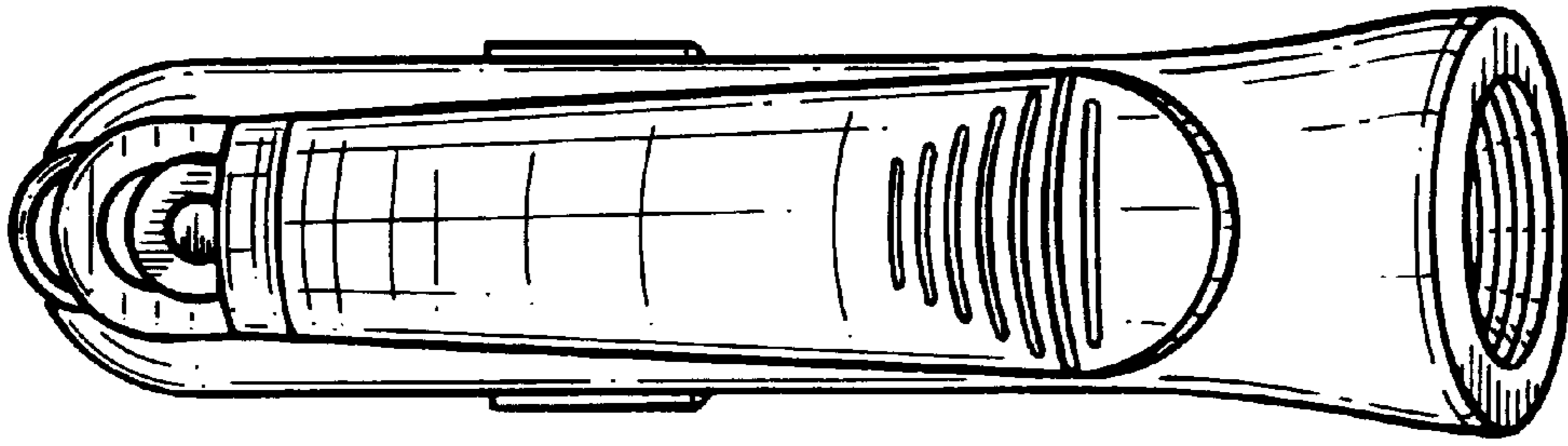


FIG. 4

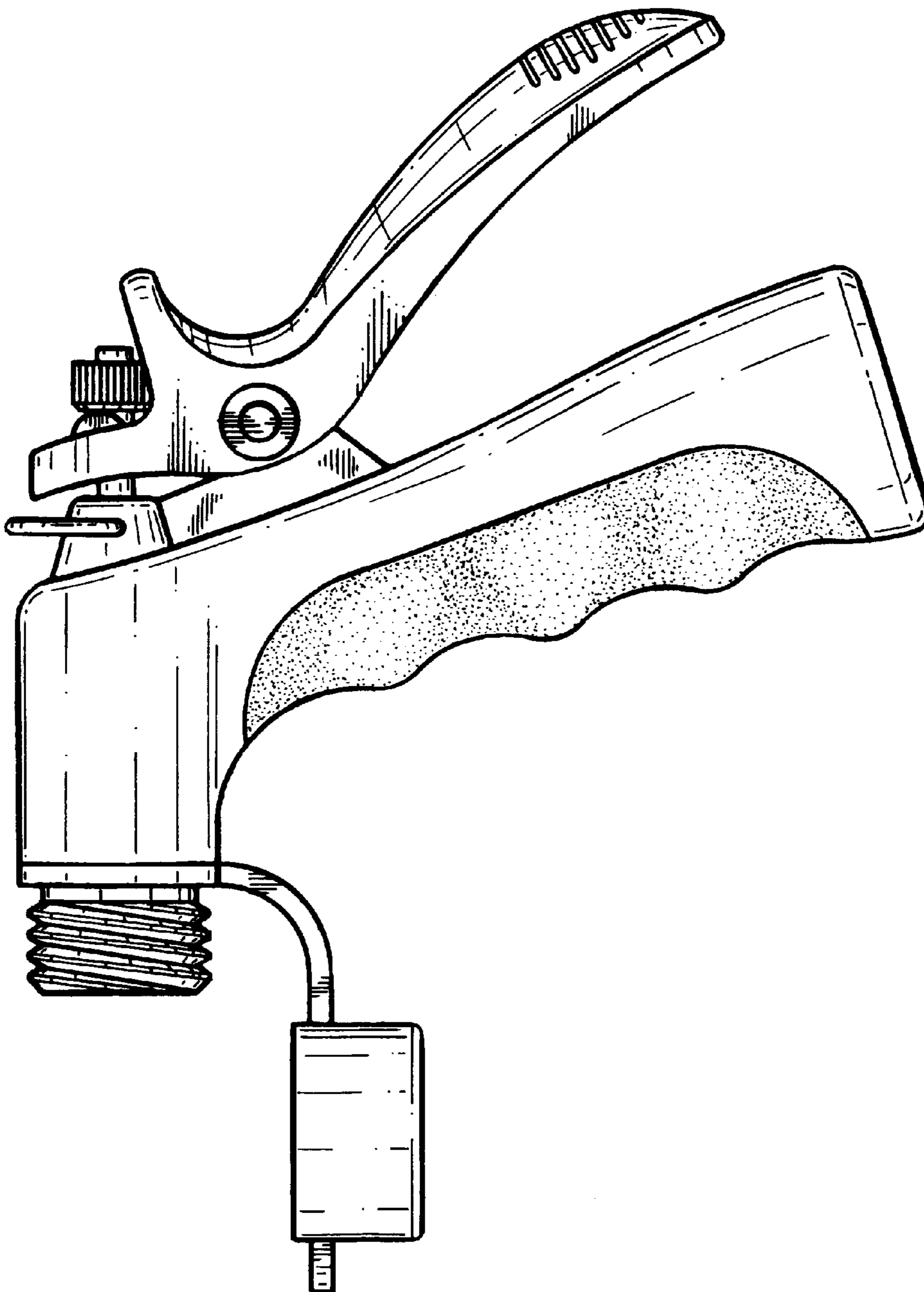


FIG. 1

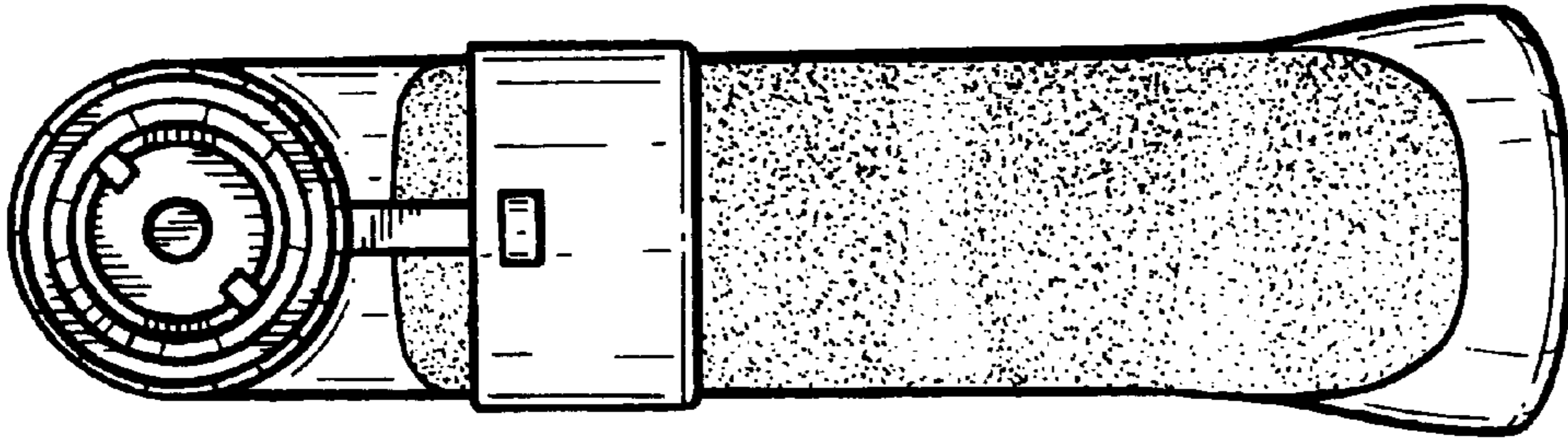


FIG. 3

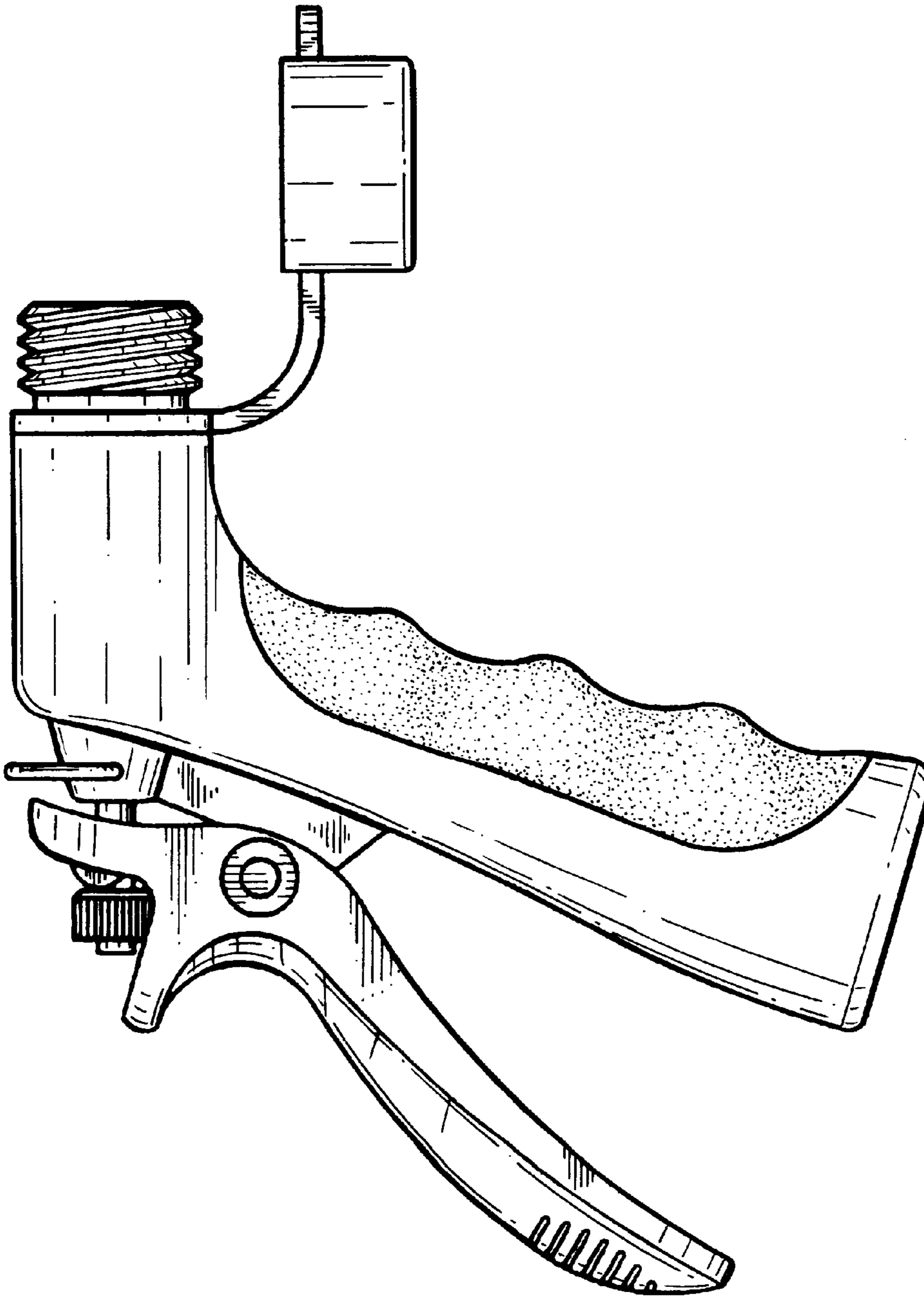


FIG. 2

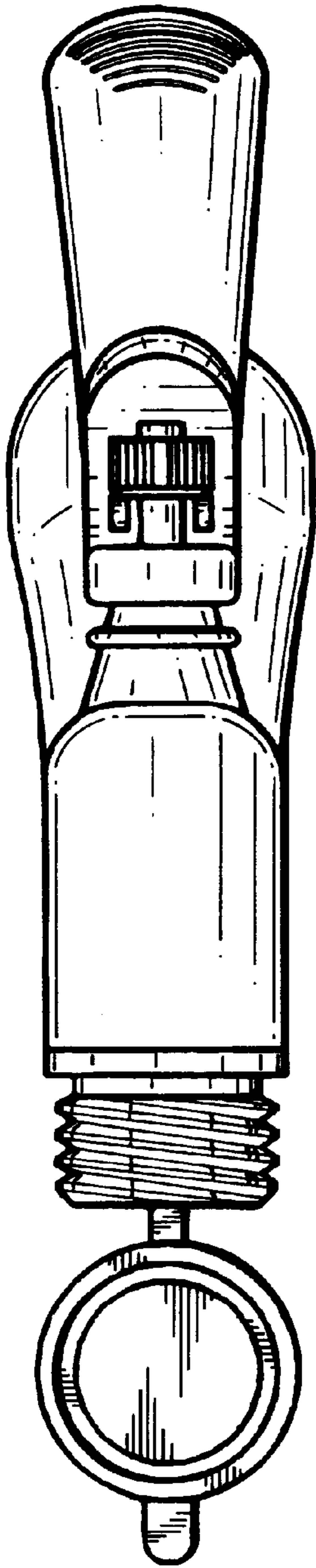


FIG. 5

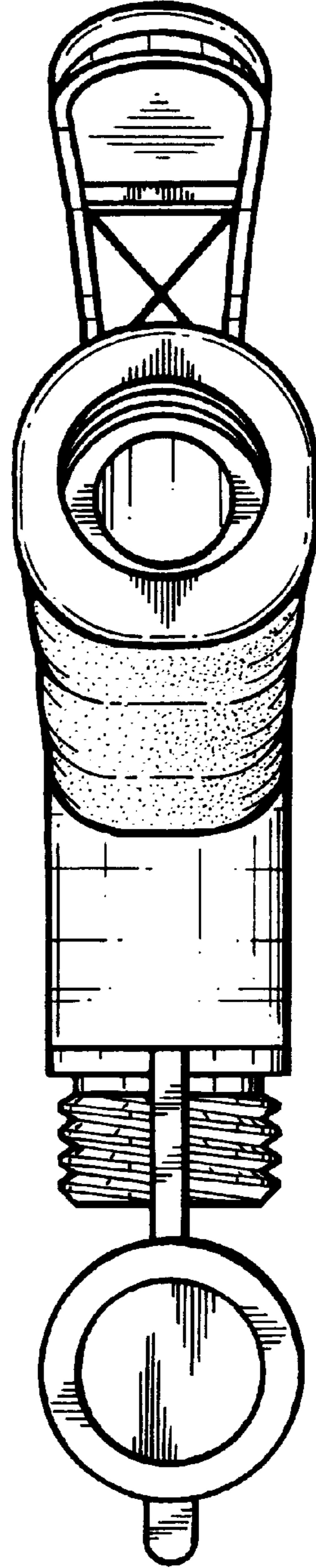


FIG. 6

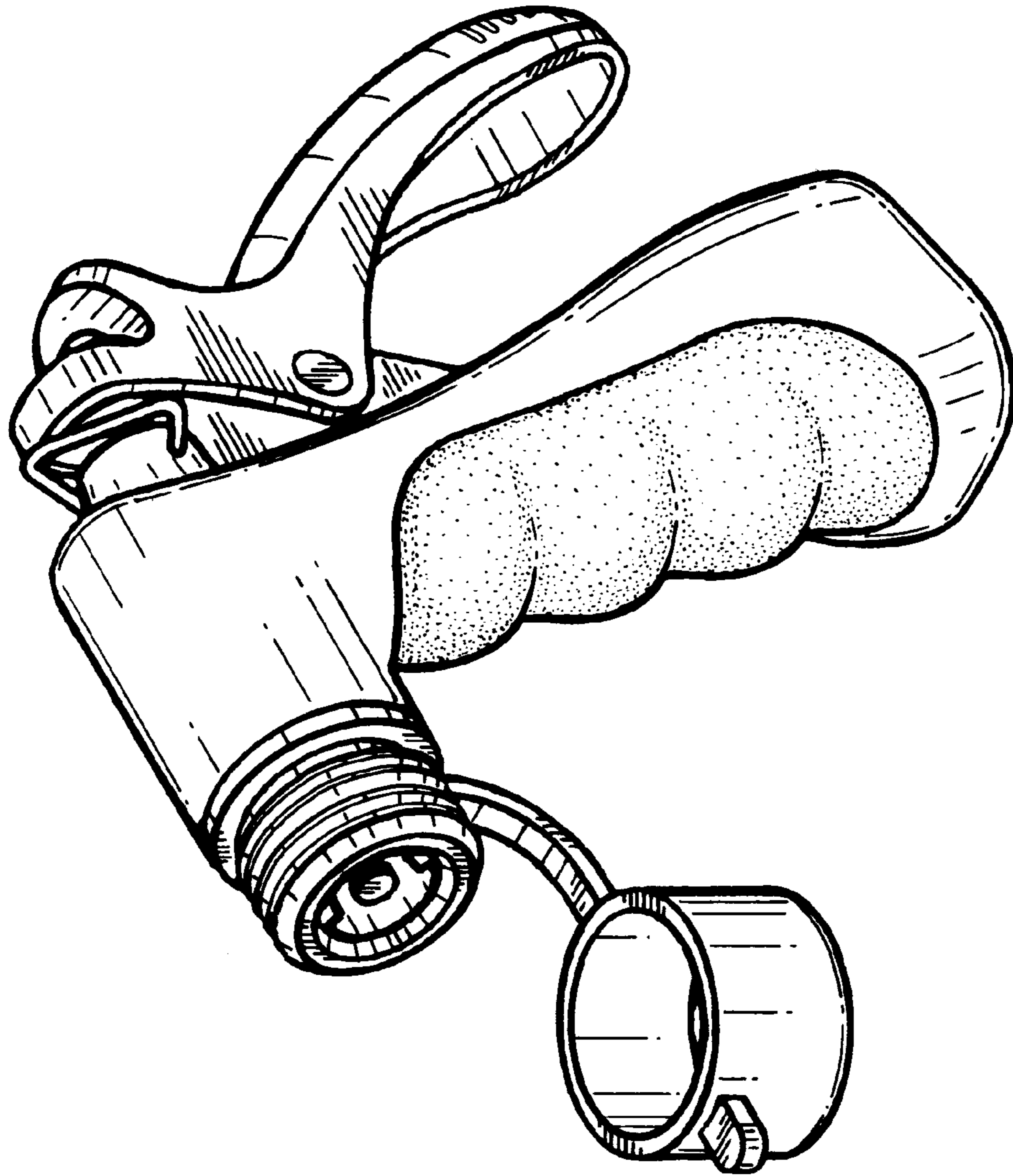


FIG. 7