



US00D426866S

# United States Patent [19] Drewery

[11] Patent Number: **Des. 426,866**

[45] Date of Patent: **\*\* \*Jun. 20, 2000**

[54] **AEROBIC TREATMENT TANK DESIGN**

5,287,986 2/1994 Frost ..... 220/565  
5,333,752 8/1994 Harding ..... 220/565

[75] Inventor: **T. Gig Drewery**, Kountze, Tex.

[73] Assignee: **Aqua Partners, Ltd.**, Lumberton, Tex.

[\*] Notice: This patent is subject to a terminal disclaimer.

[\*\*] Term: **14 Years**

*Primary Examiner*—Robin V. Taylor  
*Attorney, Agent, or Firm*—Harrison & Egbert

### [57] CLAIM

I claim the ornamental design for a aerobic treatment tank design, as shown and described

[21] Appl. No.: **29/102,567**

[22] Filed: **Mar. 26, 1999**

[51] **LOC (7) Cl.** ..... **23-01**

[52] **U.S. Cl.** ..... **D23/207**

[58] **Field of Search** ..... D23/200, 202-3,  
D23/207, 209; 220/4.12, 4.13, 565

### DESCRIPTION

FIG. 1 is an upper perspective view of a aerobic treatment tank showing my design.

FIG. 2 is a side elevational view thereof, the opposite side being a mirror image thereof;

FIG. 3 is an end view thereof;

FIG. 4 is a plan view thereof;

FIG. 5 is an opposite end view thereof; and,

FIG. 6 is a bottom view thereof.

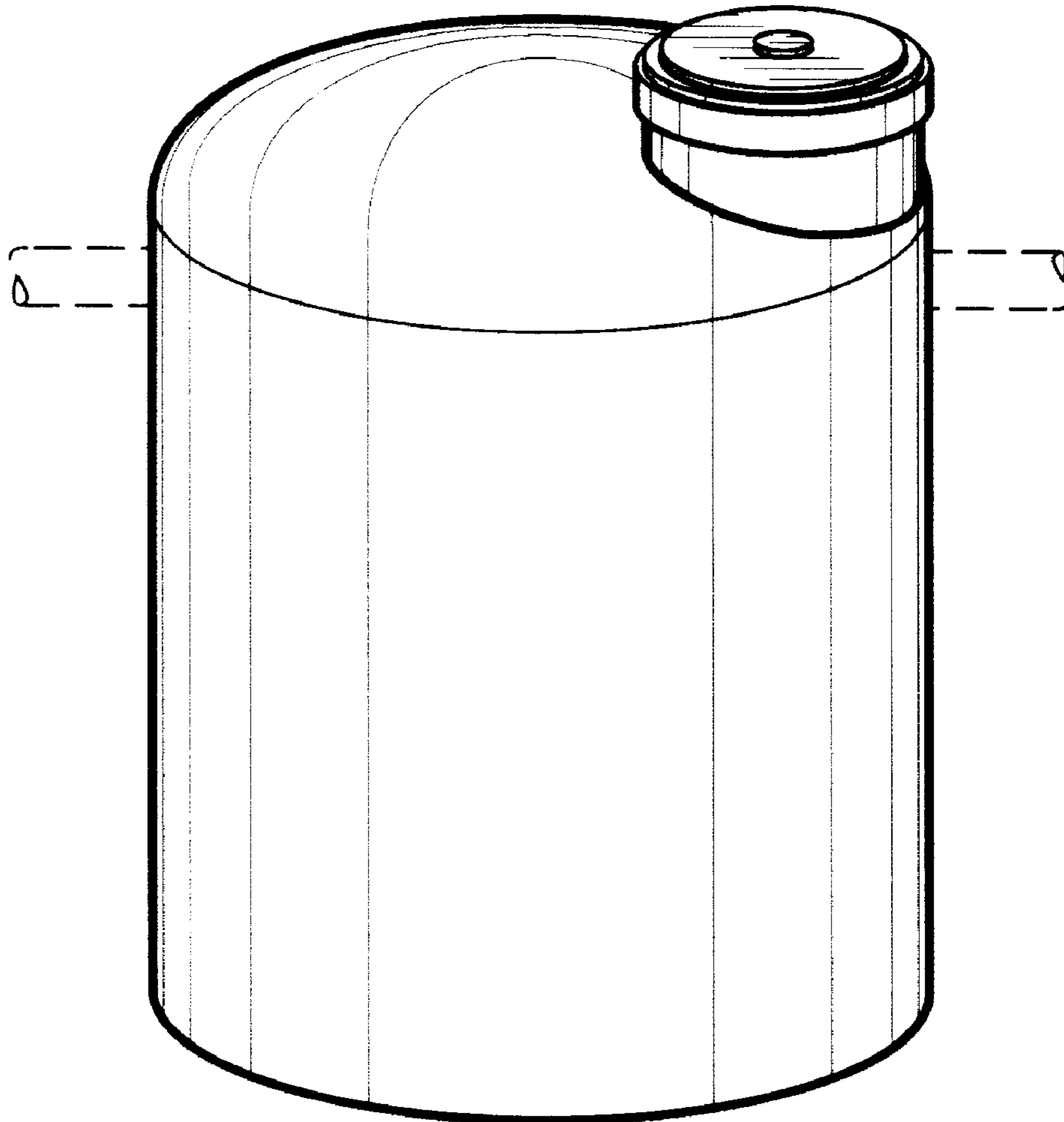
The broken line showing is for illustrative purposes only and forms no part of the claimed design.

### [56] References Cited

#### U.S. PATENT DOCUMENTS

D. 293,705 1/1988 Sayward ..... D23/202  
4,648,521 3/1987 Thomas et al. .... 220/565

**1 Claim, 2 Drawing Sheets**



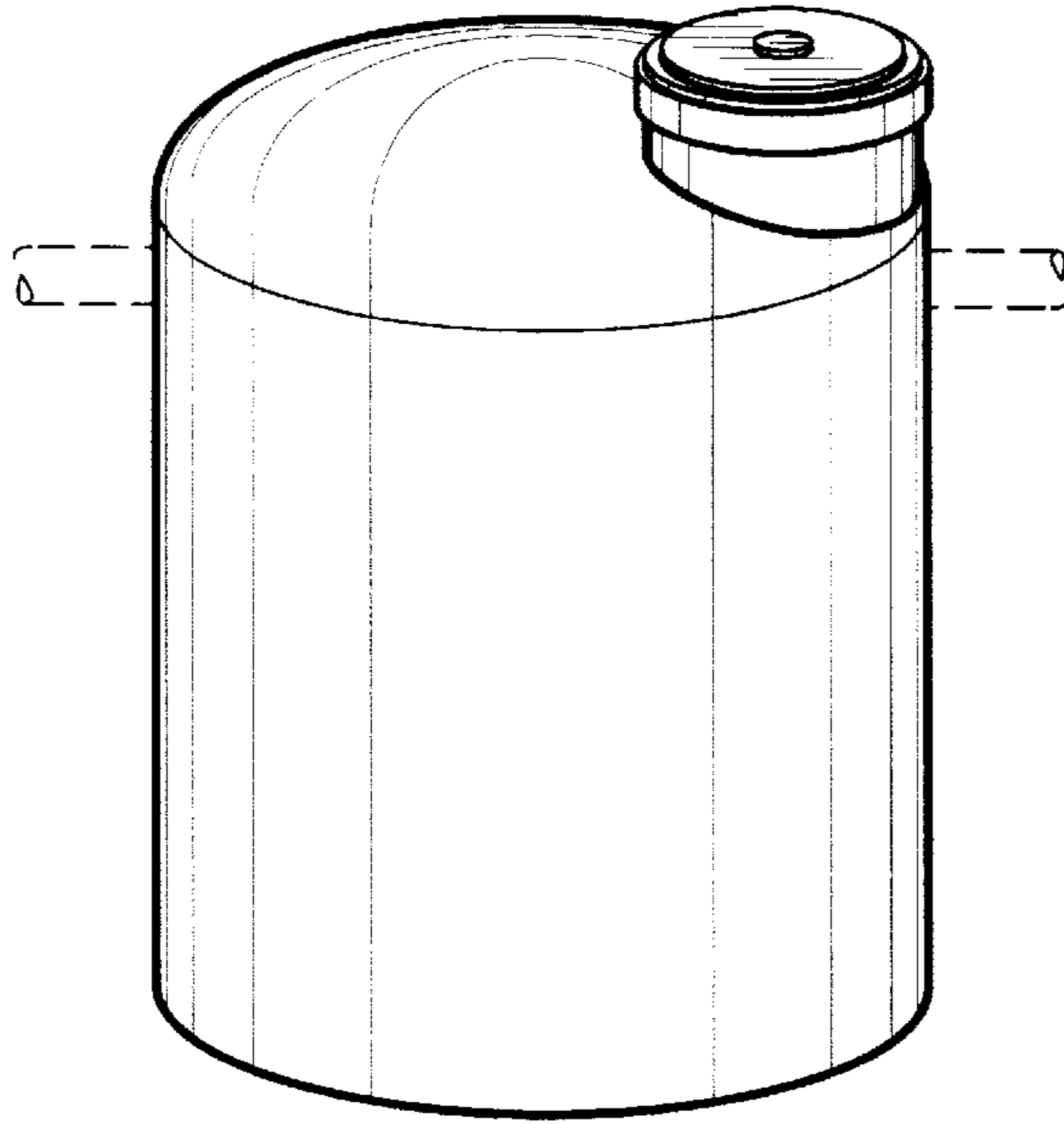


FIG. 1

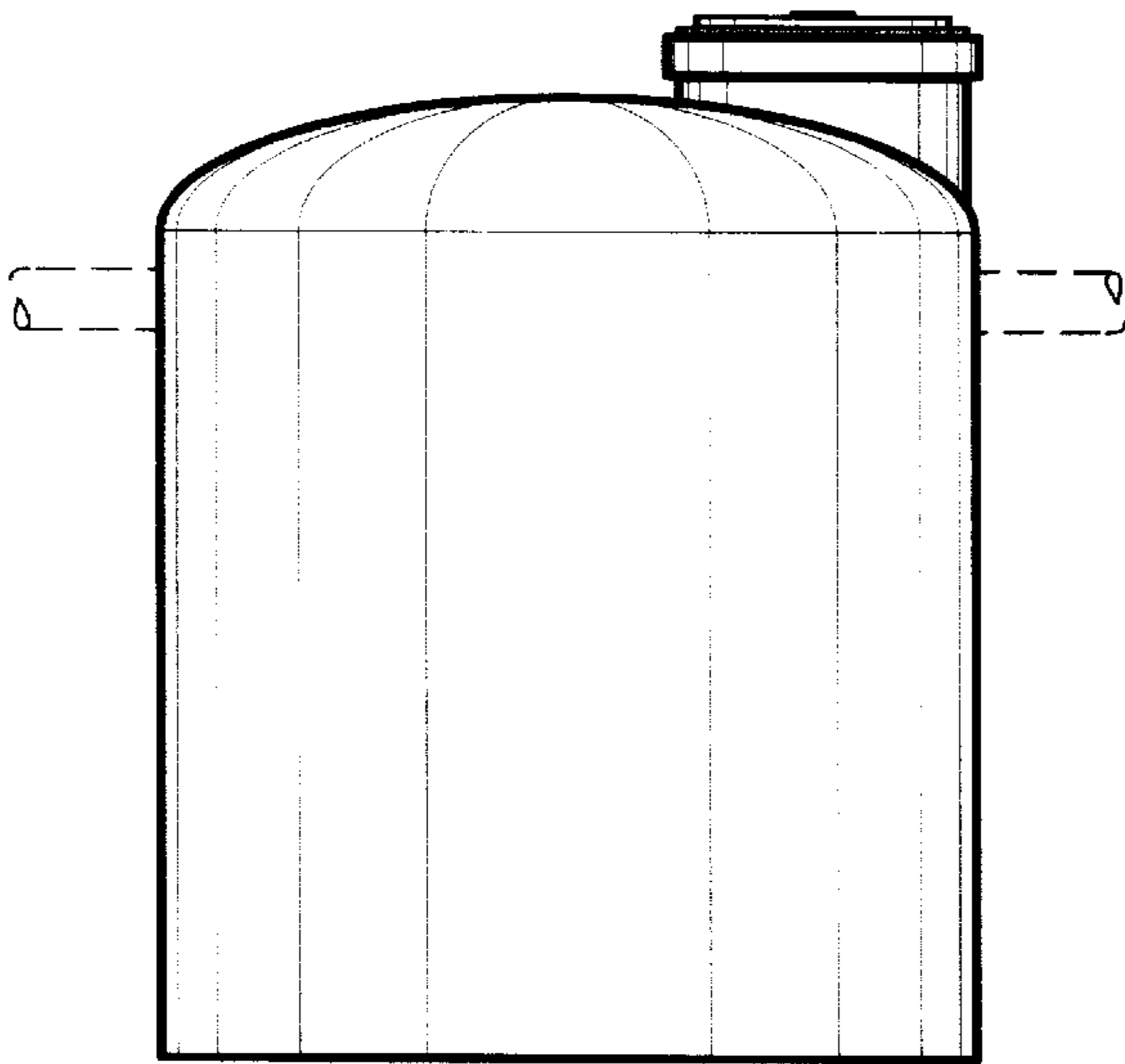


FIG. 2

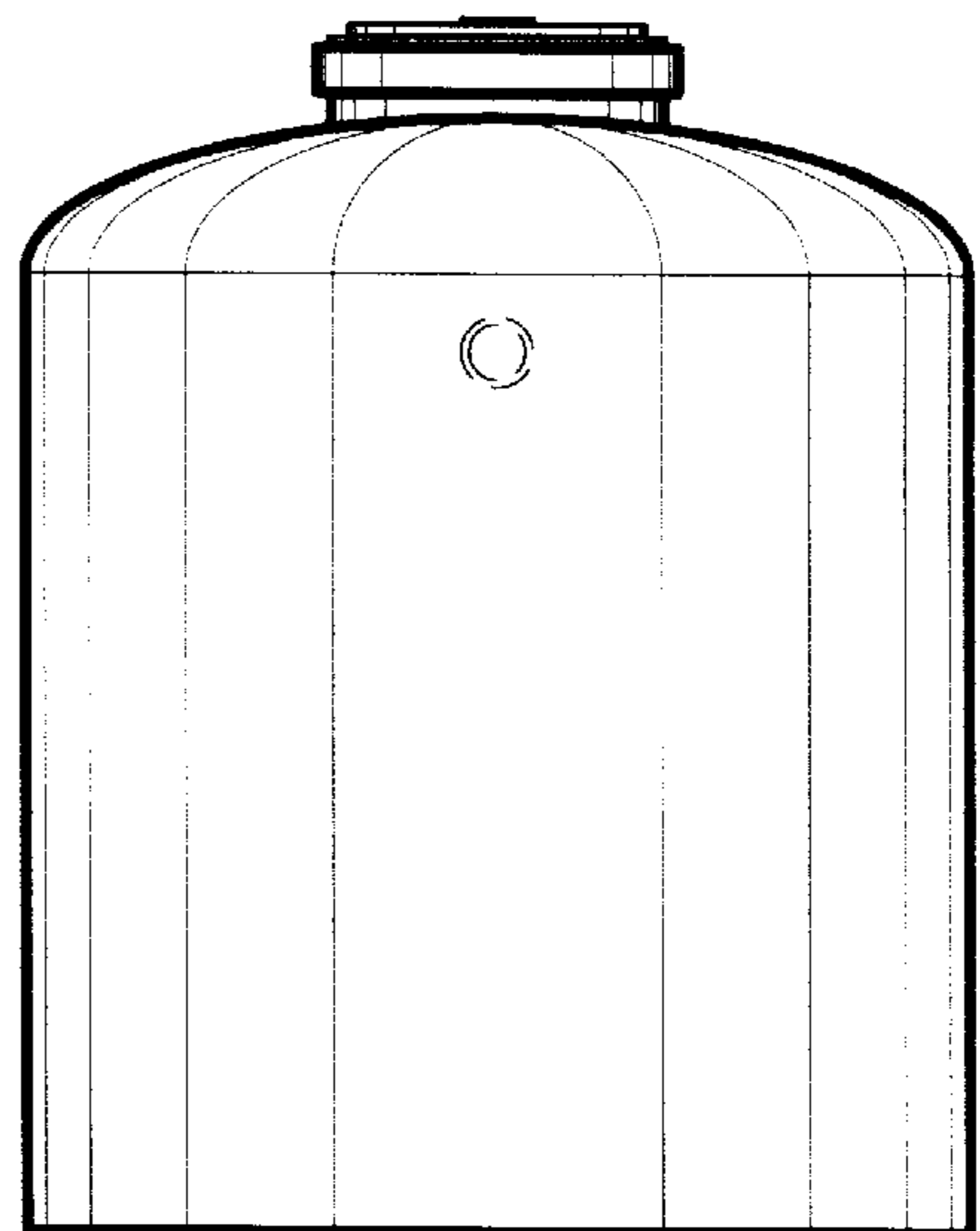
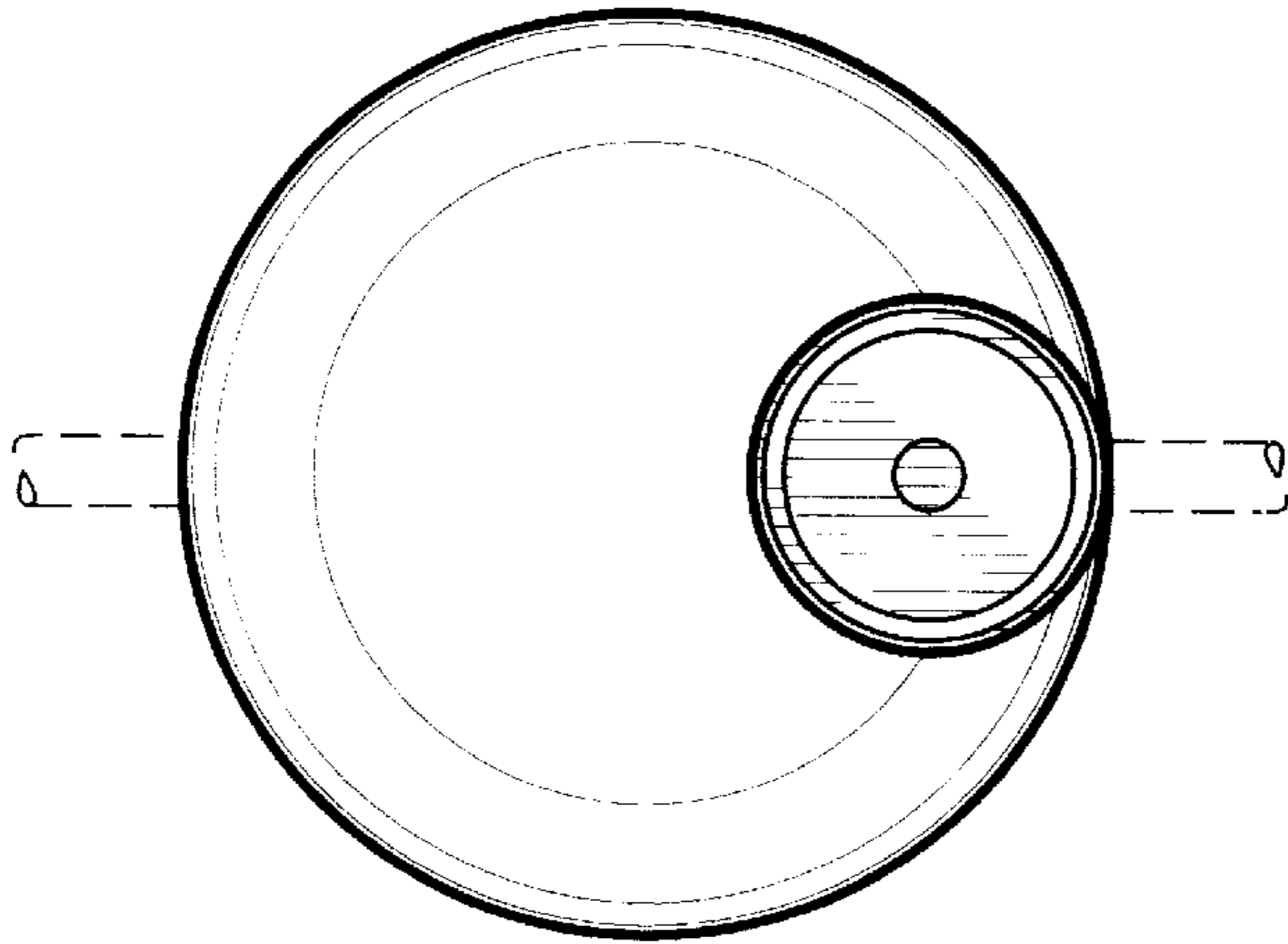
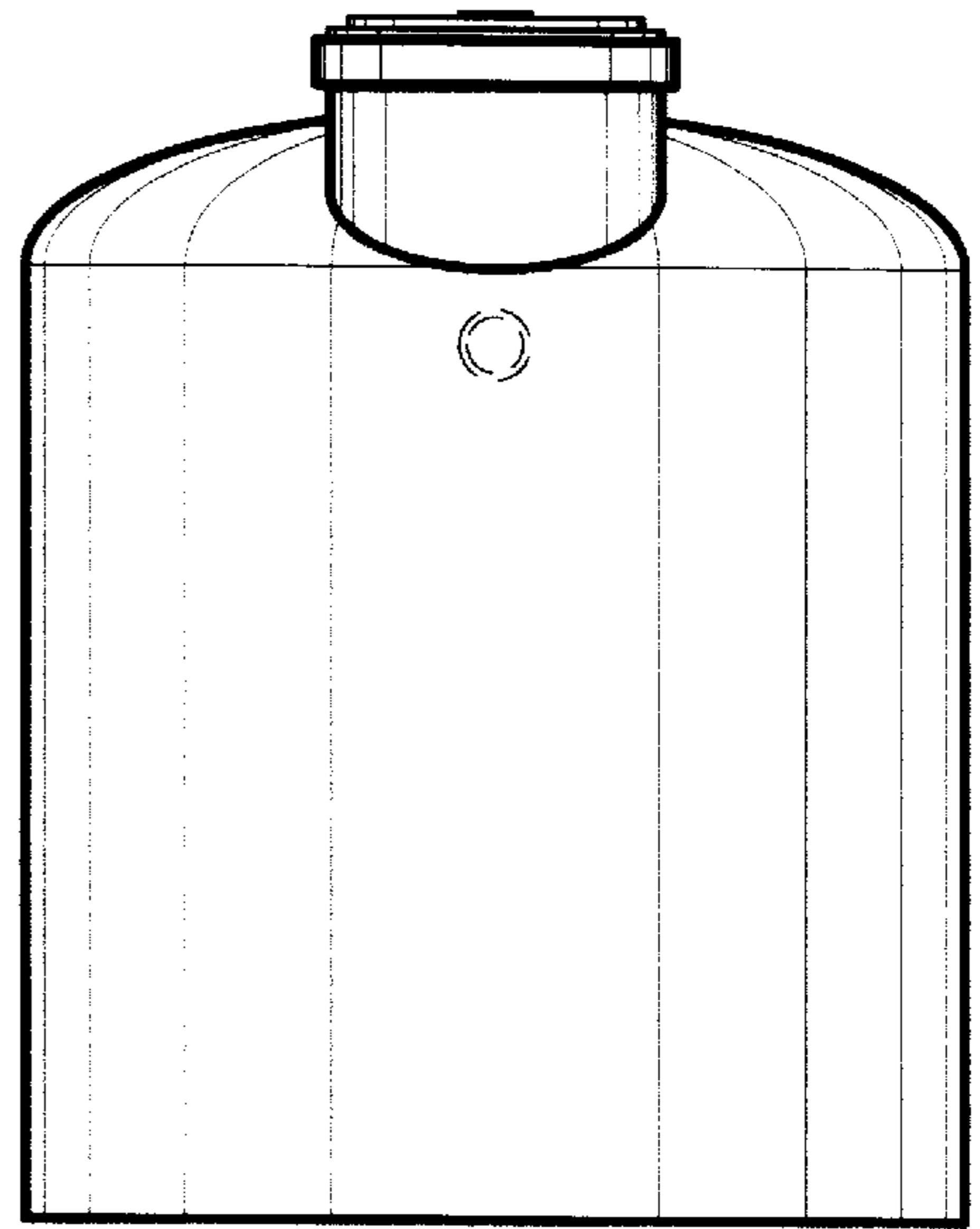


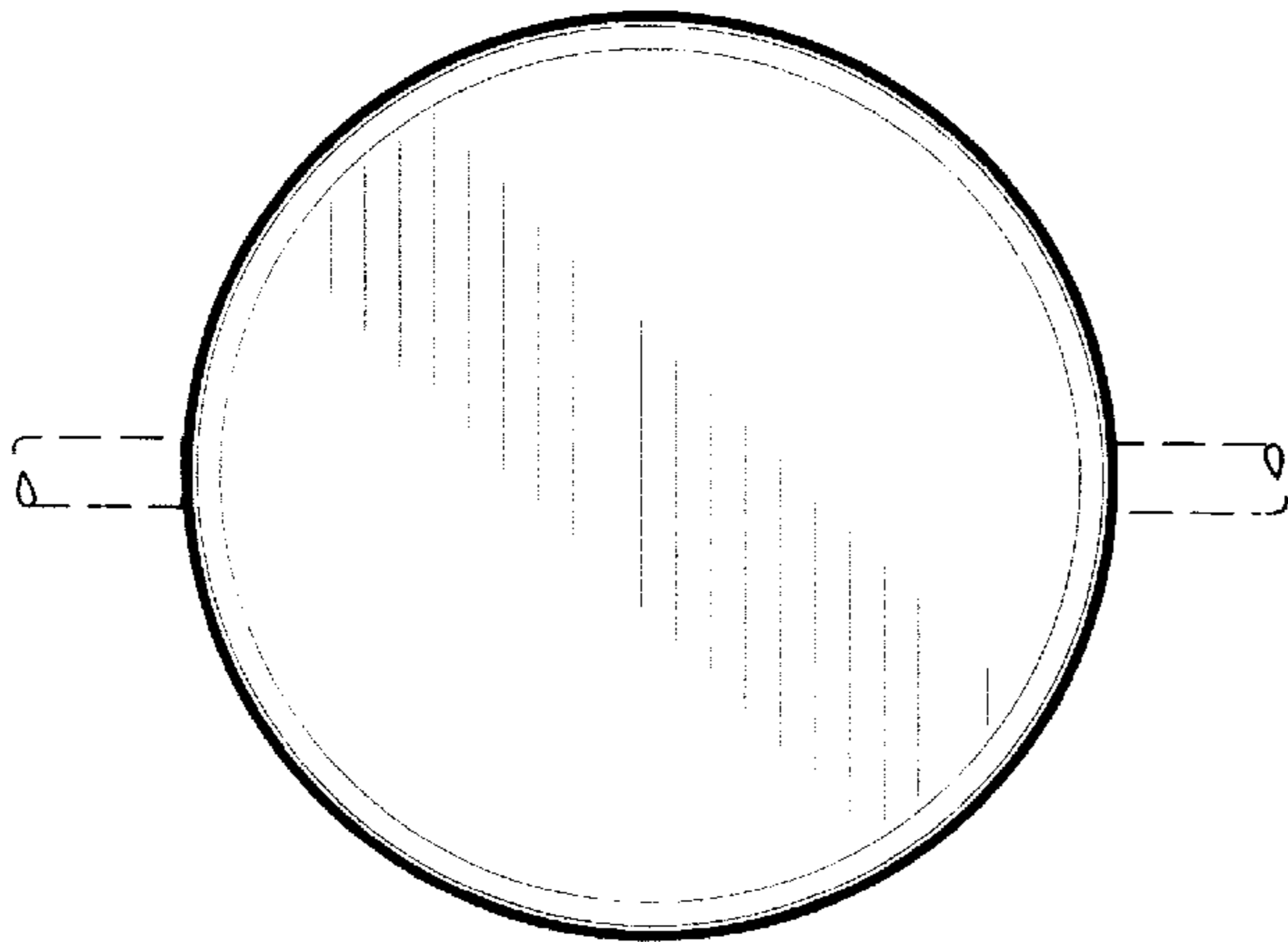
FIG. 3



*FIG. 4*



*FIG. 5*



*FIG. 6*