



US00D426863S

United States Patent [19] Ozment

[11] **Patent Number: Des. 426,863**

[45] **Date of Patent: ** Jun. 20, 2000**

[54] **GOLF PUTTER HEAD**

D. 344,564 2/1994 Oakleaf D21/739
D. 403,724 1/1999 Palmer D21/736

[76] Inventor: **Gerald R. Ozment**, 15337 Orchard Rd., Choctaw, Okla. 73020

Primary Examiner—Mitchell Siegel
Attorney, Agent, or Firm—McAfee & Taft

[**] Term: **14 Years**

[57] **CLAIM**

[21] Appl. No.: **29/106,943**

The ornamental design for a golf putter head, as shown and described.

[22] Filed: **Jun. 25, 1999**

DESCRIPTION

[51] **LOC (7) Cl.** **21-02**

[52] **U.S. Cl.** **D21/740**

[58] **Field of Search** D21/736-746;
473/251-256, 340, 341, 324, 327, 328

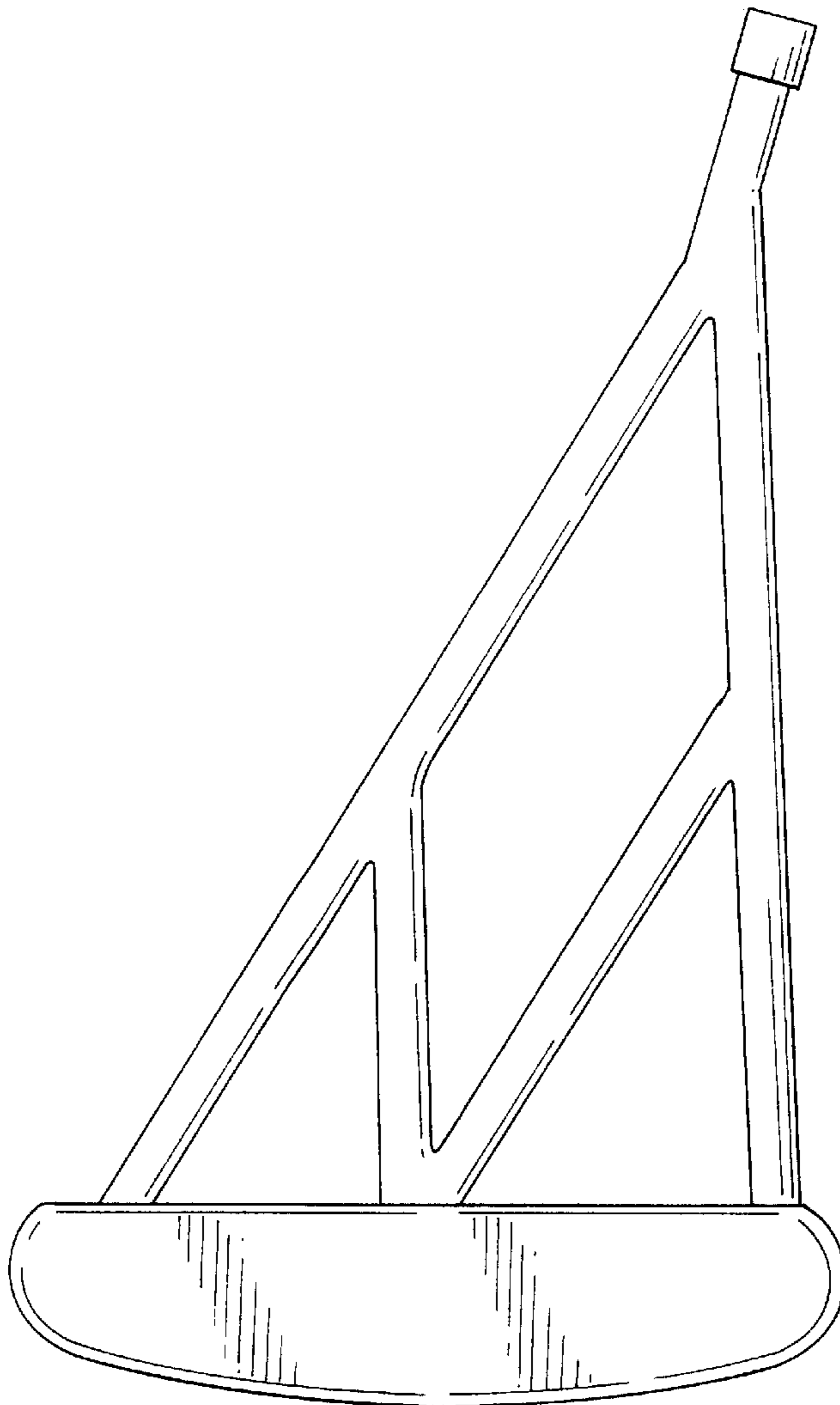
FIG. 1 is a face or front elevation view of a golf putter head showing my new design;
FIG. 2 is a rear elevation view;
FIG. 3 is a distal end view as seen from the left side of FIG. 1;
FIG. 4 shows a proximal end view as seen from the right of FIG. 1;
FIG. 5 is a plan view; and,
FIG. 6 is a bottom view.

[56] **References Cited**

U.S. PATENT DOCUMENTS

- D. 209,301 11/1967 Conitz D21/738
- D. 212,890 12/1968 Rose D21/738
- D. 303,276 9/1989 Oakleaf D21/739
- D. 327,108 6/1992 Montealegre D21/740

1 Claim, 2 Drawing Sheets



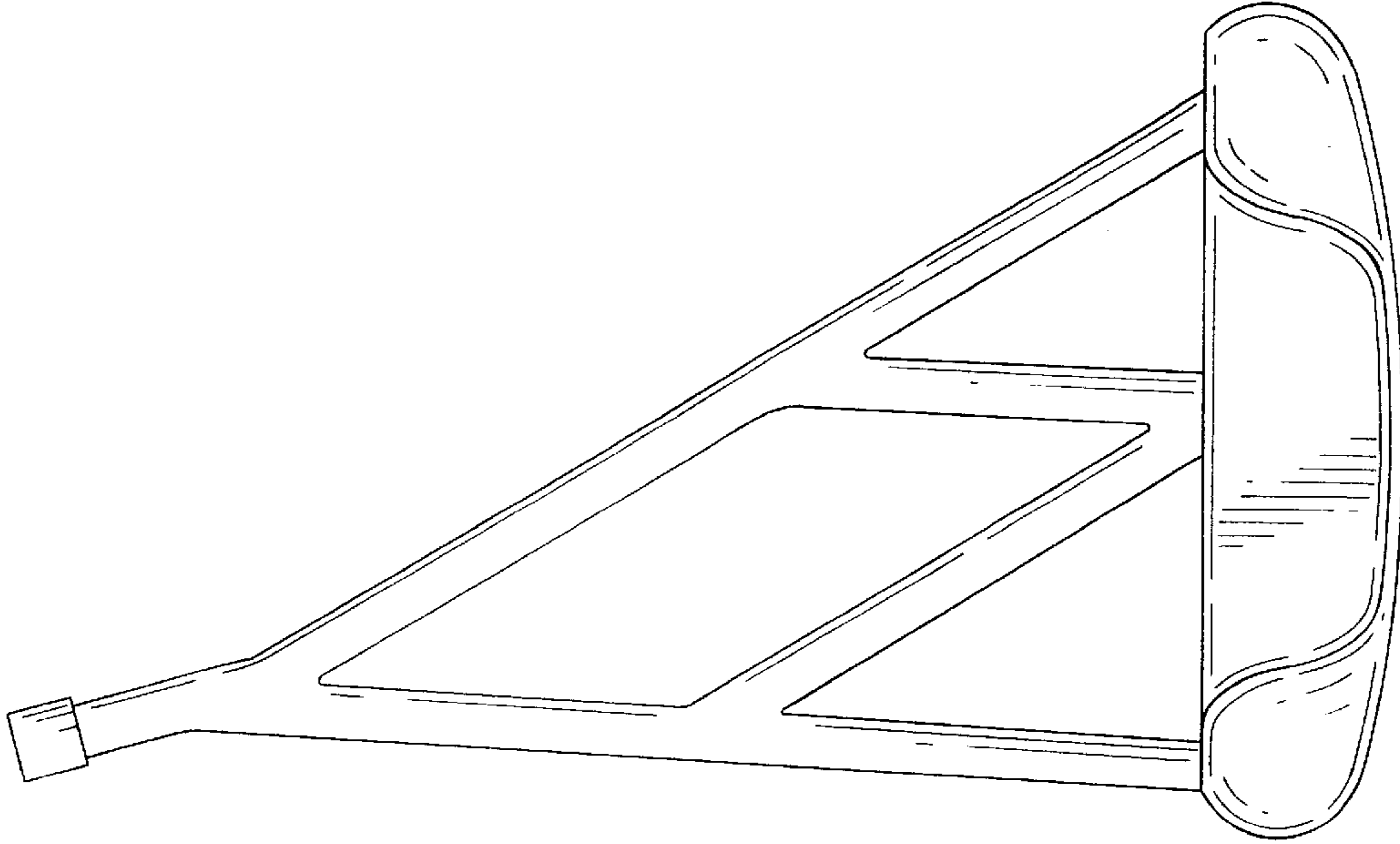


FIG. 1

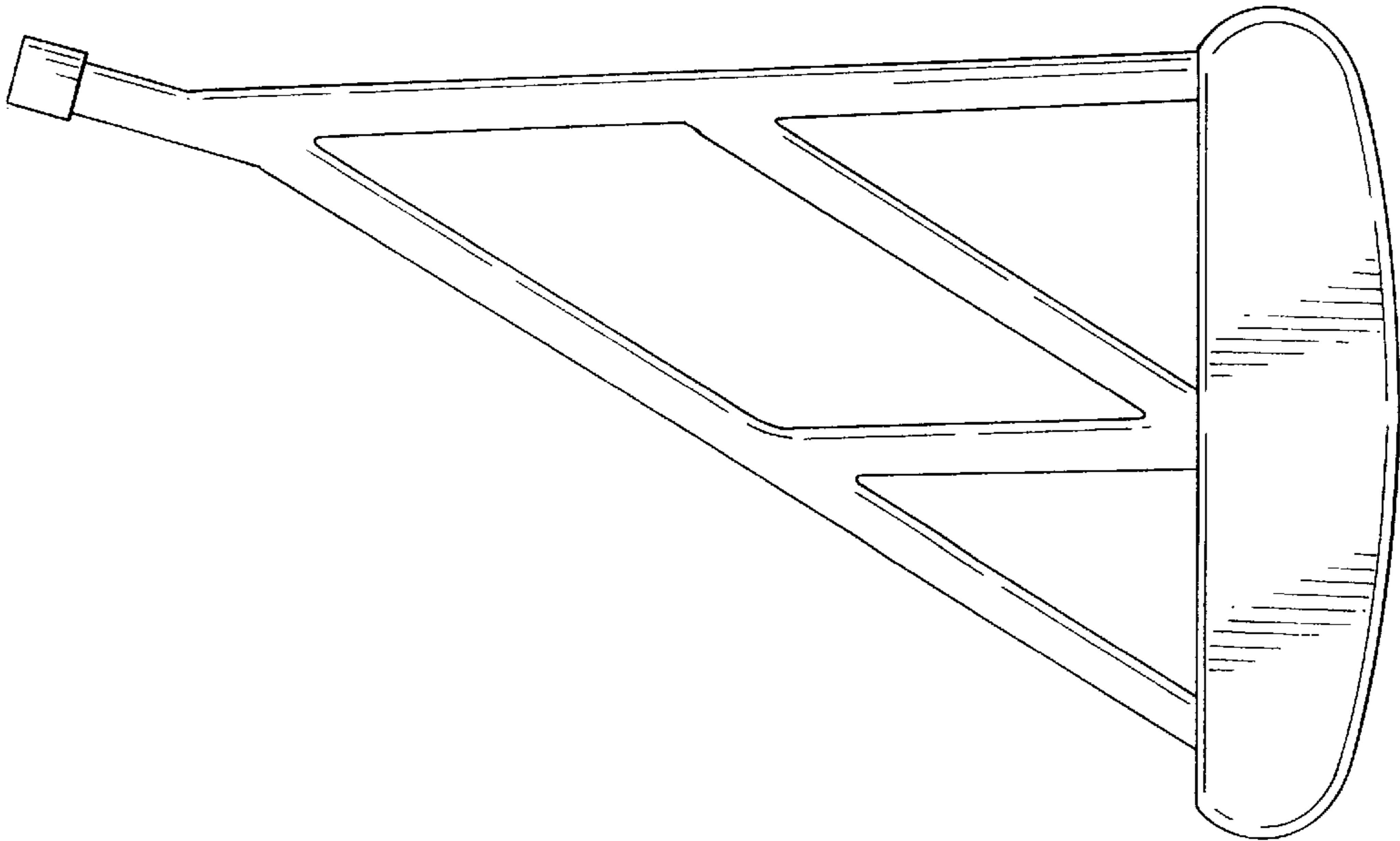
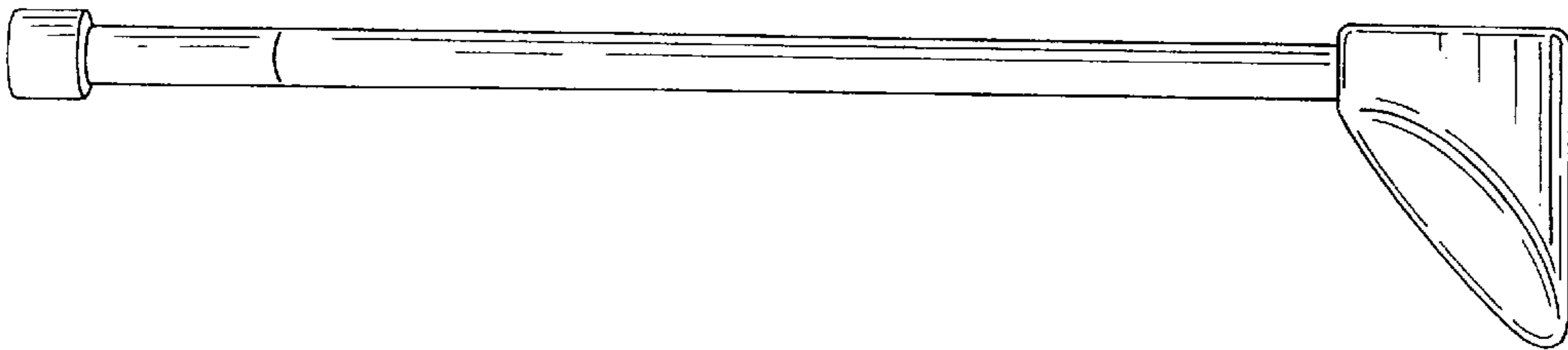
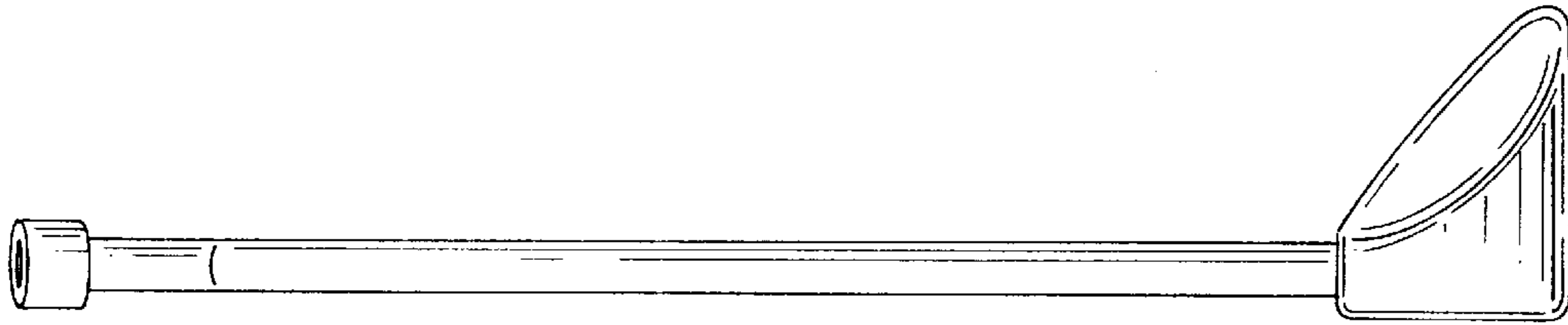
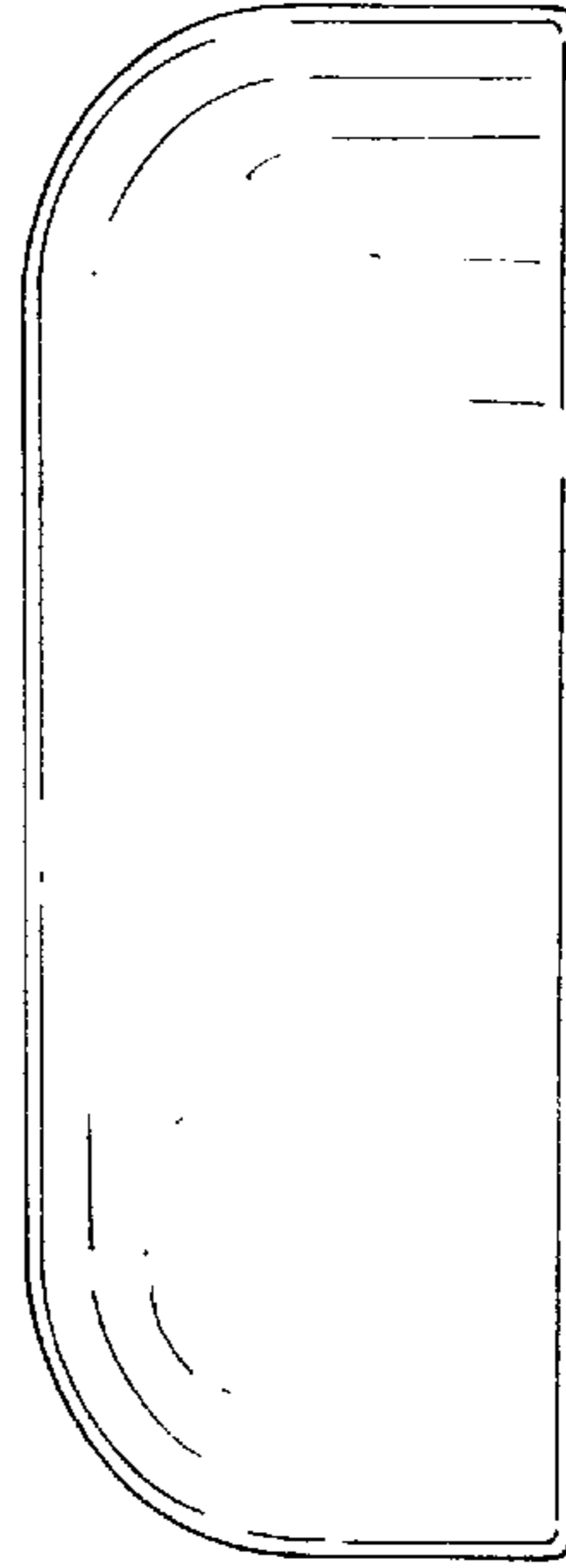
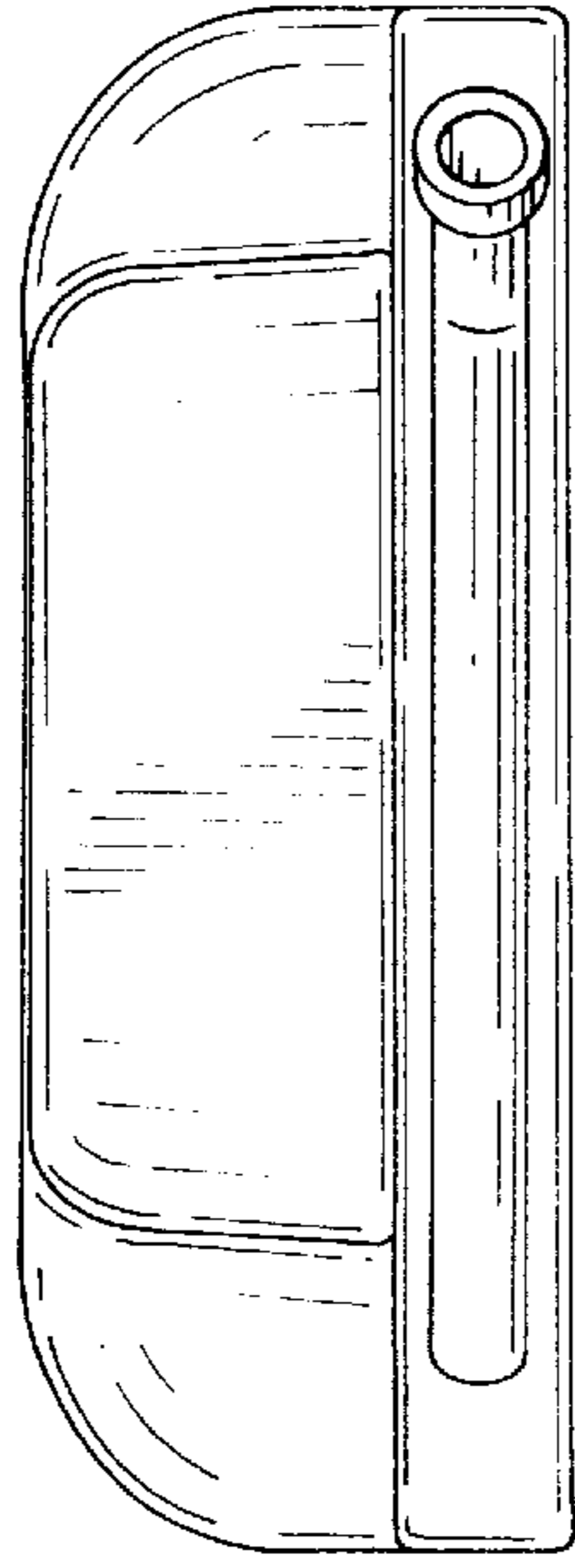


FIG. 2



UNITED STATES PATENT AND TRADEMARK OFFICE
Certificate

Patent No. D 426,863

Patented: June 20, 2000

On petition requesting issuance of a certificate for correction of inventorship pursuant to 35 U.S.C. 256, it has been found that the above identified patent, through error and without any deceptive intent, improperly sets forth the inventorship.

Accordingly, it is hereby certified that the correct inventorship of this patent is: Gerald R. Ozment, Choctaw, OK; and Marie G. Ozment, Choctaw, OK.

Signed and Sealed this Sixth Day of May 2003.

TED SHOOMAN
Supervisory Patent Examiner
Art Unit 2912