



US00D426854S

United States Patent [19]

Harris et al.

[11] Patent Number: **Des. 426,854**

[45] Date of Patent: **** Jun. 20, 2000**

[54] **CARD FILE RAIL SYSTEM INSERT**

5,392,913 2/1995 Merrick .
5,924,227 7/1999 Sommers .

[75] Inventors: **David C. Harris**, Baraboo; **Patrick J. Foley**, Stoughton, both of Wis.

OTHER PUBLICATIONS

[73] Assignee: **Berol Corporation**, Freeport, Ill.

Office Action mailed Sep. 10, 1999, US Patent App Serial No. 09/185,453, Examiner L.K. Bui, p. 4, paragraph 7, Insilco Company S500C model presented Dec. 14, 1999 (see paper #10).

[**] Term: **14 Years**

(1) Photograph of a Rolodex Petite Address/Telephone Card File, date unknown.

[21] Appl. No.: **29/096,008**

[22] Filed: **Nov. 3, 1998**

Primary Examiner—Martie K. Holtje
Attorney, Agent, or Firm—Foley & Lardner

[51] **LOC (7) Cl.** **19-99**

[52] **U.S. Cl.** **D19/99; D19/76**

[58] **Field of Search** D19/65, 75, 76,
D19/78, 86, 90, 91, 99, 100; 206/387.1,
425, 449; 211/10, 11, 13.1, 45, 50, 184,
51, 126.1, 126.12, 126.13; 40/379; 220/532

[57] CLAIM

We claim the ornamental design for the card file rail system insert, as shown and described.

[56] References Cited

DESCRIPTION

U.S. PATENT DOCUMENTS

D. 248,963	8/1978	Macowski	D19/76
D. 250,343	11/1978	Macowski	D19/76
D. 258,295	2/1981	Evenson	D19/76
D. 270,549	9/1983	Burton et al.	.	
D. 280,423	9/1985	Burton et al.	.	
D. 283,902	5/1986	Goertz	.	
2,261,840	11/1941	Bergmann	211/184 X
4,035,938	7/1977	Neilsen	.	
4,165,575	8/1979	Neilsen	.	
4,192,425	3/1980	Landau et al.	.	
4,209,093	6/1980	Söderland	206/425
4,231,624	11/1980	Neilsen	.	
4,763,795	8/1988	Metzger et al.	.	
4,906,057	3/1990	Davis et al.	.	

FIG. 1 is a perspective view of a card file rail system insert; FIG. 2 is a bottom view of the card file rail system insert shown in FIG. 1; FIG. 3 is a top plan view of the card file rail system insert shown in FIG. 1; FIG. 4 is a right view of the card file rail system insert shown in FIG. 1; FIG. 5 is a left view of the card file rail system insert shown in FIG. 1; FIG. 6 is a front elevational view of the card file rail system insert shown in FIG. 1; and, FIG. 7 is a rear elevational view of the card file rail system insert shown in FIG. 1.

1 Claim, 2 Drawing Sheets

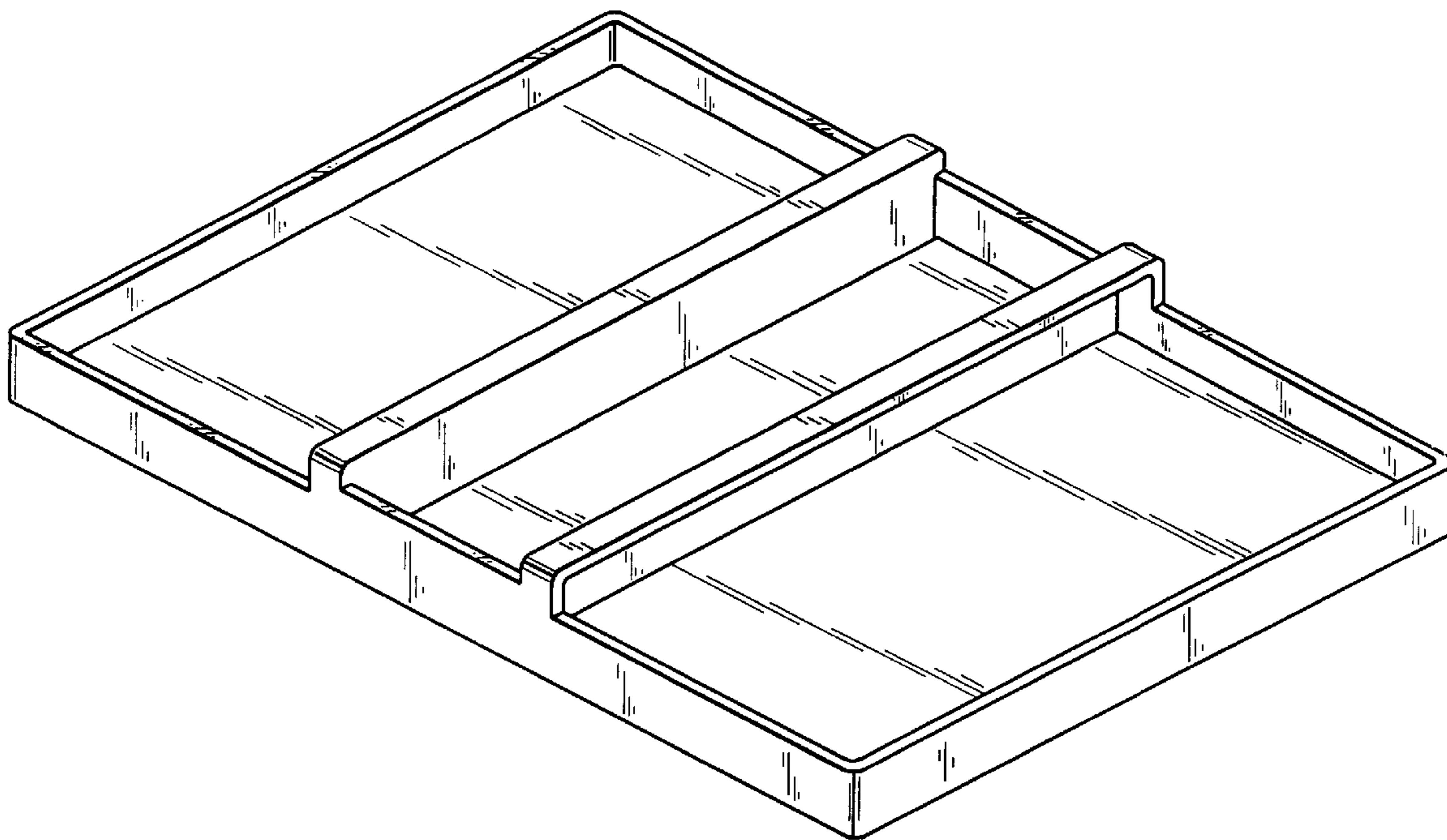


FIG. 1

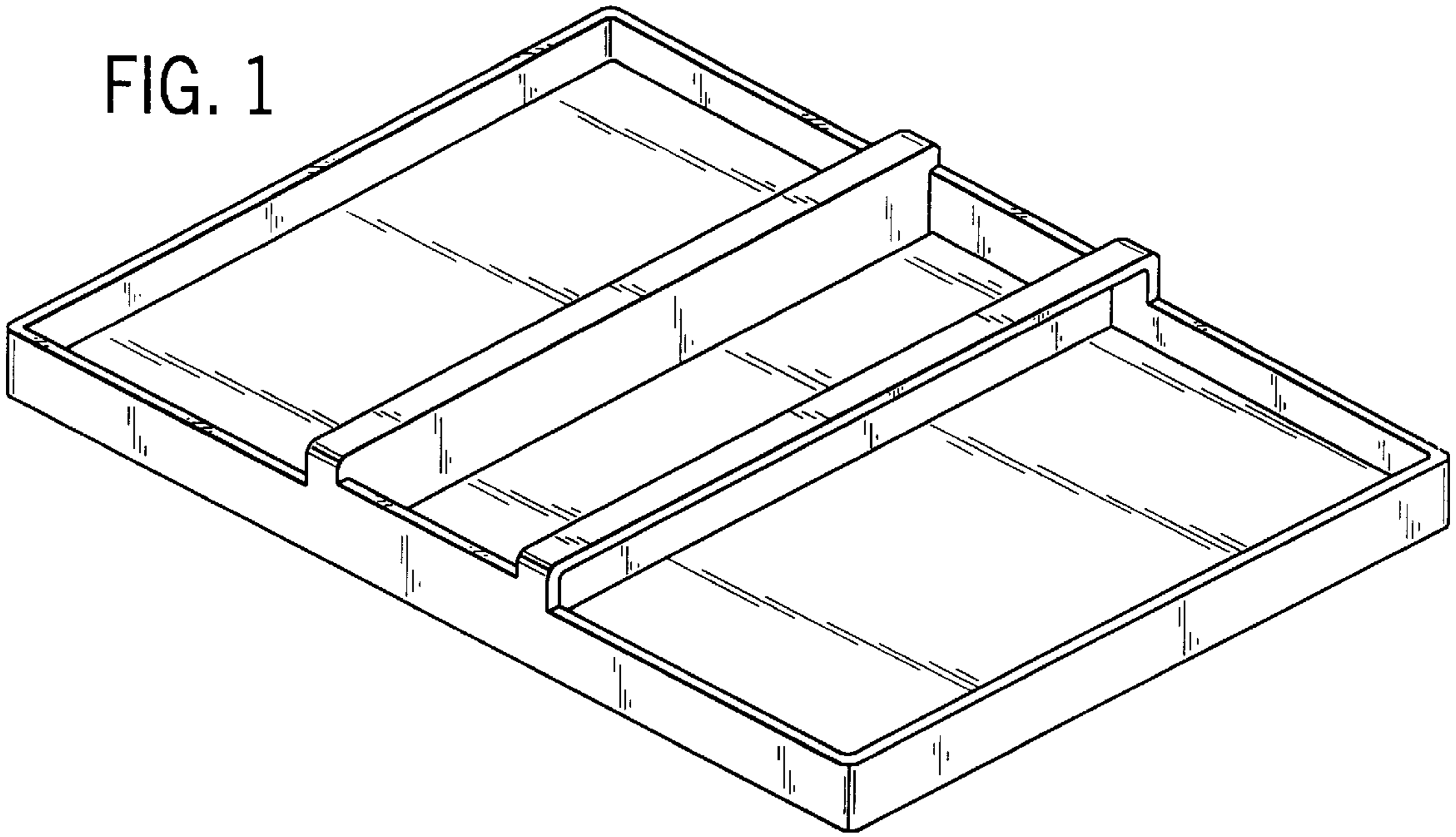


FIG. 2

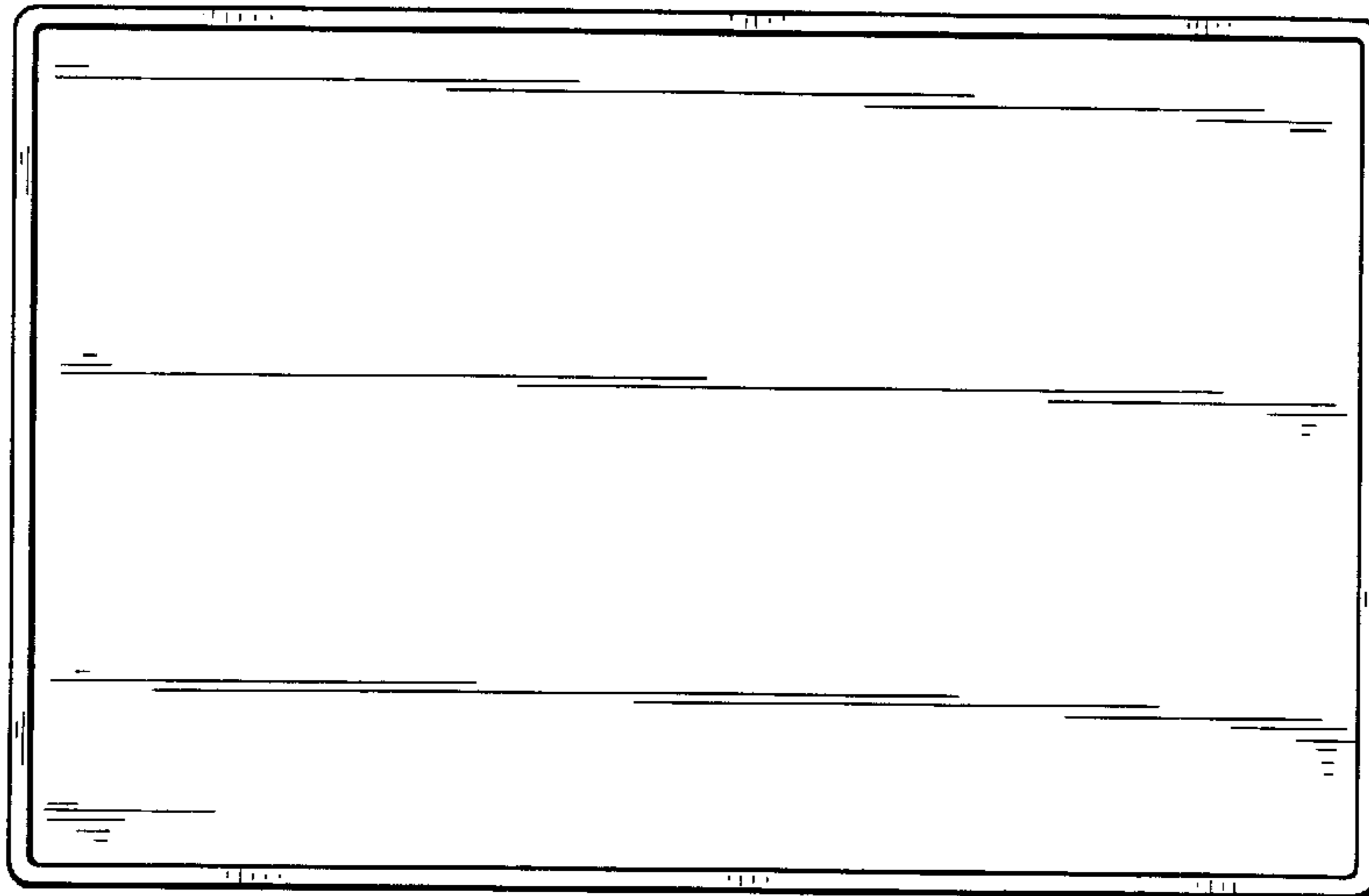


FIG. 3

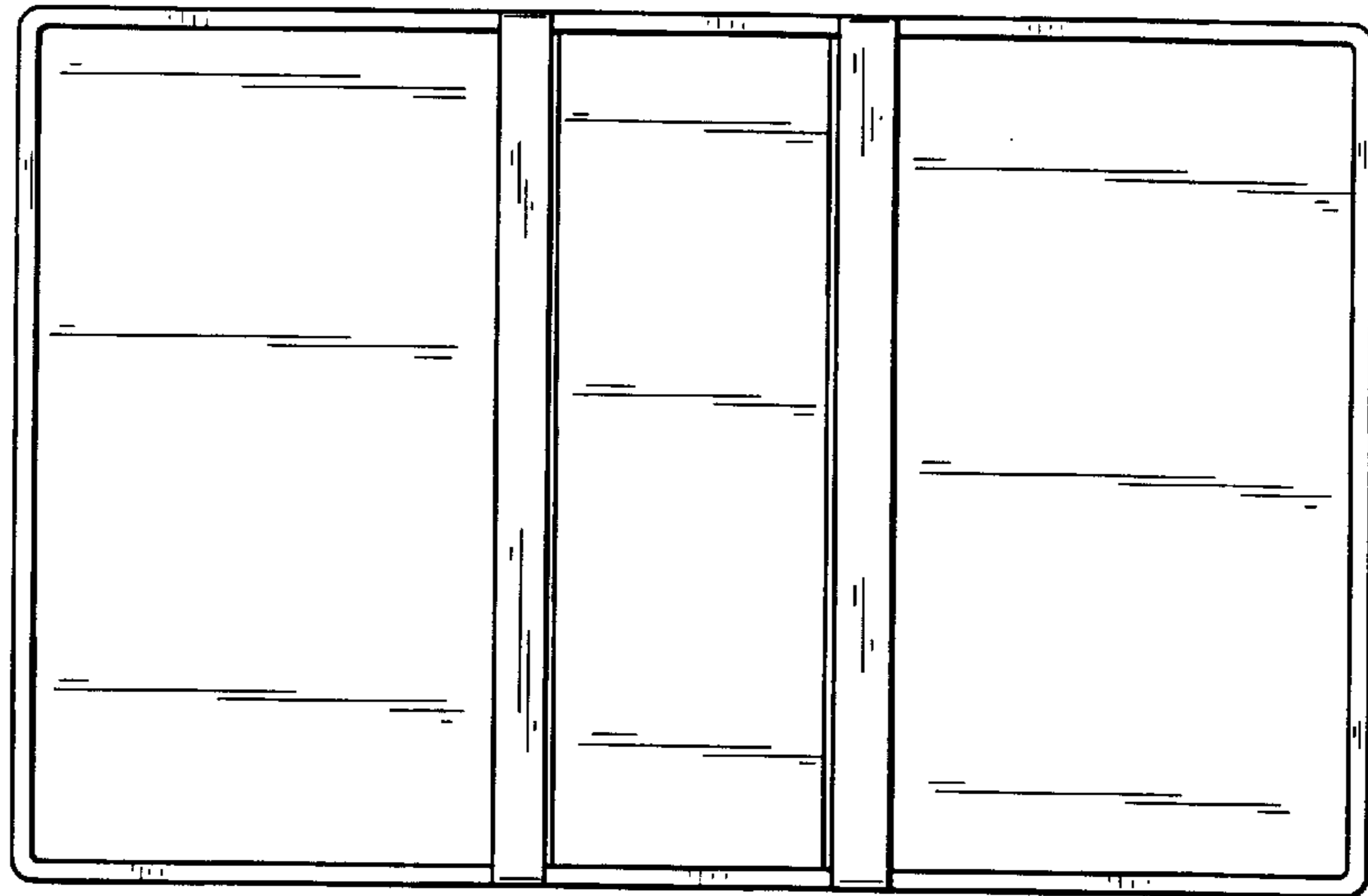


FIG. 4

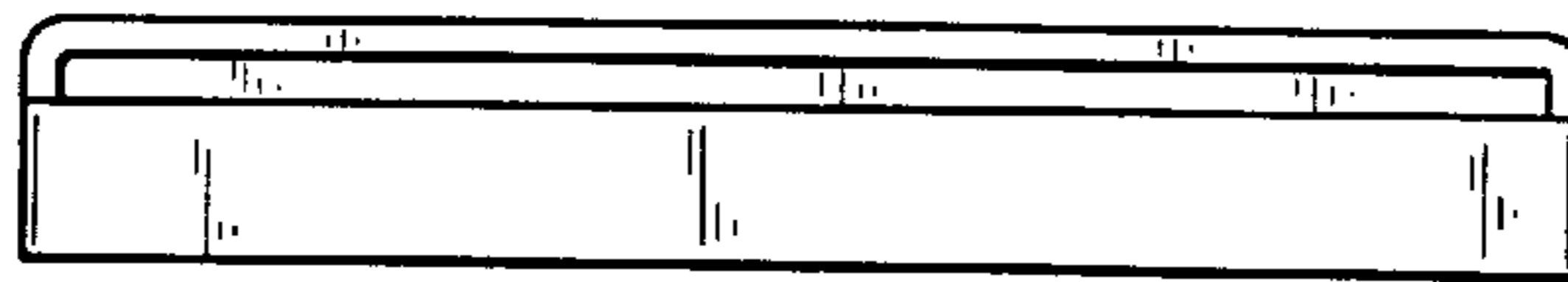


FIG. 5

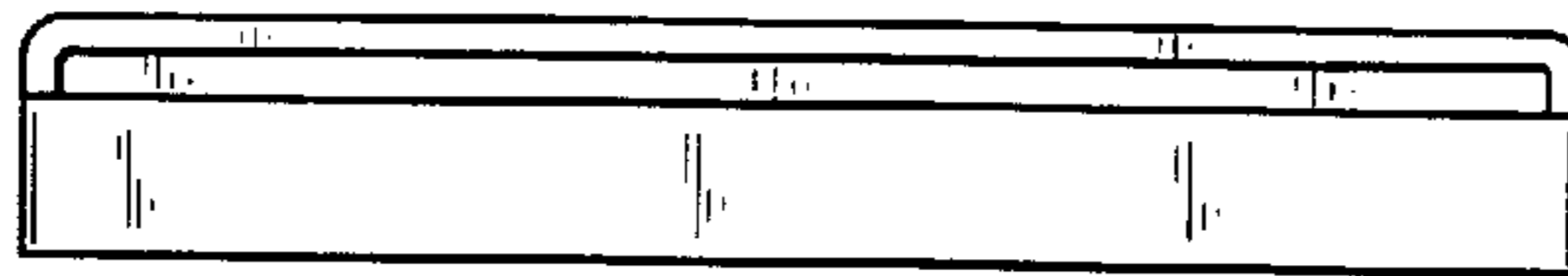


FIG. 6



FIG. 7

