



US00D426842S

# United States Patent [19]

Suzuki et al.

[11] Patent Number: **Des. 426,842**

[45] Date of Patent: **\*\* Jun. 20, 2000**

[54] **DIGITAL STILL CAMERA**

[75] Inventors: **Wataru Suzuki; Yosuke Wakamiya,**  
both of Nagano, Japan

[73] Assignee: **Seiko Epson Corporation,** Tokyo,  
Japan

[\*\*] Term: **14 Years**

[21] Appl. No.: **29/101,517**

[22] Filed: **Mar. 4, 1999**

### [30] Foreign Application Priority Data

Sep. 28, 1998 [JP] Japan ..... 10-27599

[51] **LOC (7) Cl.** ..... **16-01**

[52] **U.S. Cl.** ..... **D16/202; D16/218**

[58] **Field of Search** ..... **D16/200-206,**  
**D16/208, 209, 217, 218; 348/373-376;**  
**358/906, 909.1; 396/535-541**

### [56] References Cited

#### U.S. PATENT DOCUMENTS

D. 388,449 12/1997 Ohi et al. .... D16/202

D. 392,659 3/1998 Takano ..... D16/202  
D. 397,128 8/1998 Sugioka ..... D16/202  
D. 409,640 5/1999 Funato ..... D16/202  
D. 417,683 12/1999 Miyashita ..... D16/202  
5,875,034 2/1999 Shintani et al. .... 358/906

*Primary Examiner*—Adir Aronovich  
*Attorney, Agent, or Firm*—Oliff & Berridge, PLC

### [57] CLAIM

The ornamental design for a digital still camera, as shown and described.

### DESCRIPTION

FIG. 1 is a front elevational view of a digital still camera in accordance with our inventive design;  
FIG. 2 is a top view thereof;  
FIG. 3 is a bottom view thereof;  
FIG. 4 is a left side view thereof;  
FIG. 5 is a right side view thereof;  
FIG. 6 is a rear view thereof; and,  
FIG. 7 is a perspective view thereof.

**1 Claim, 3 Drawing Sheets**





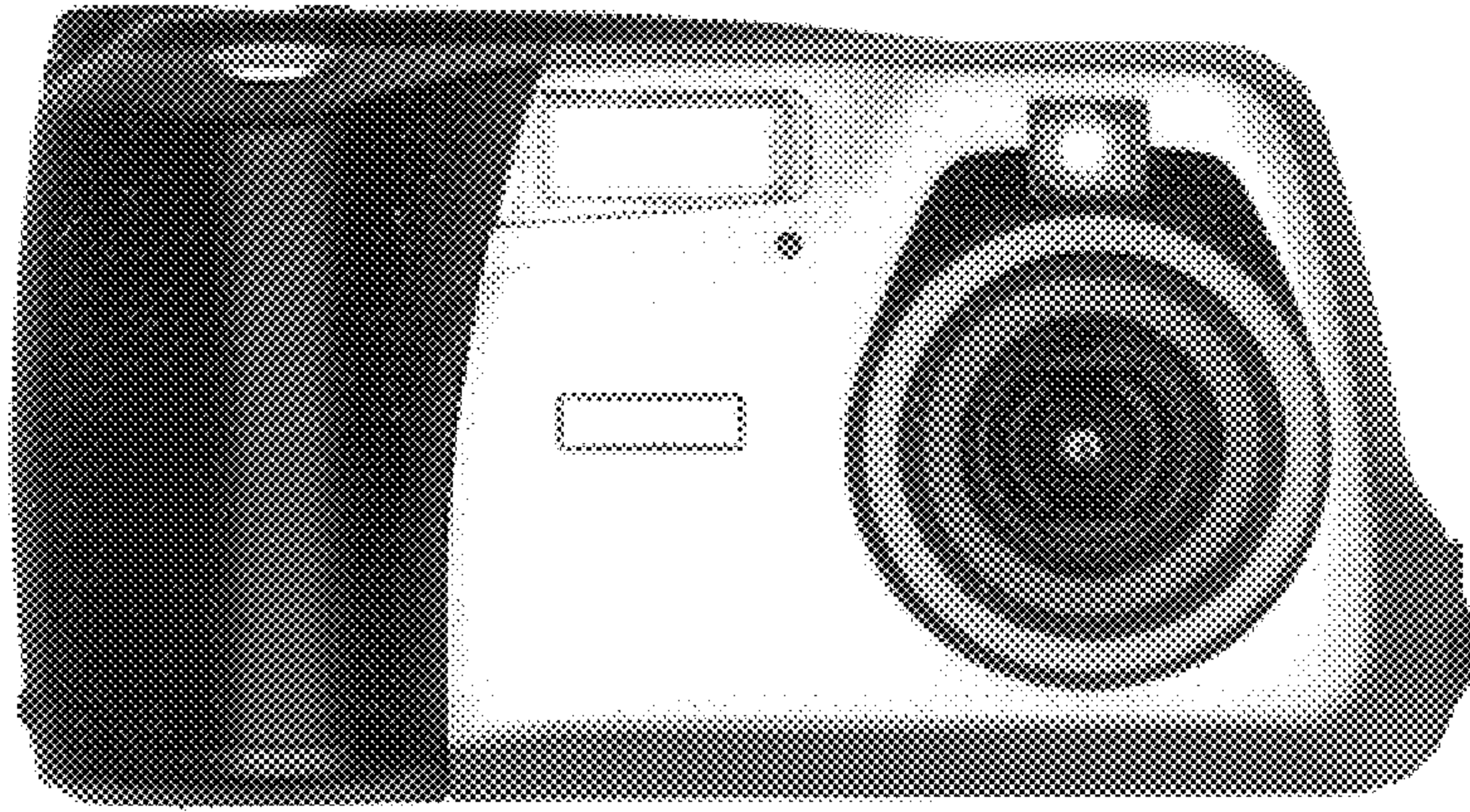


Figure 1

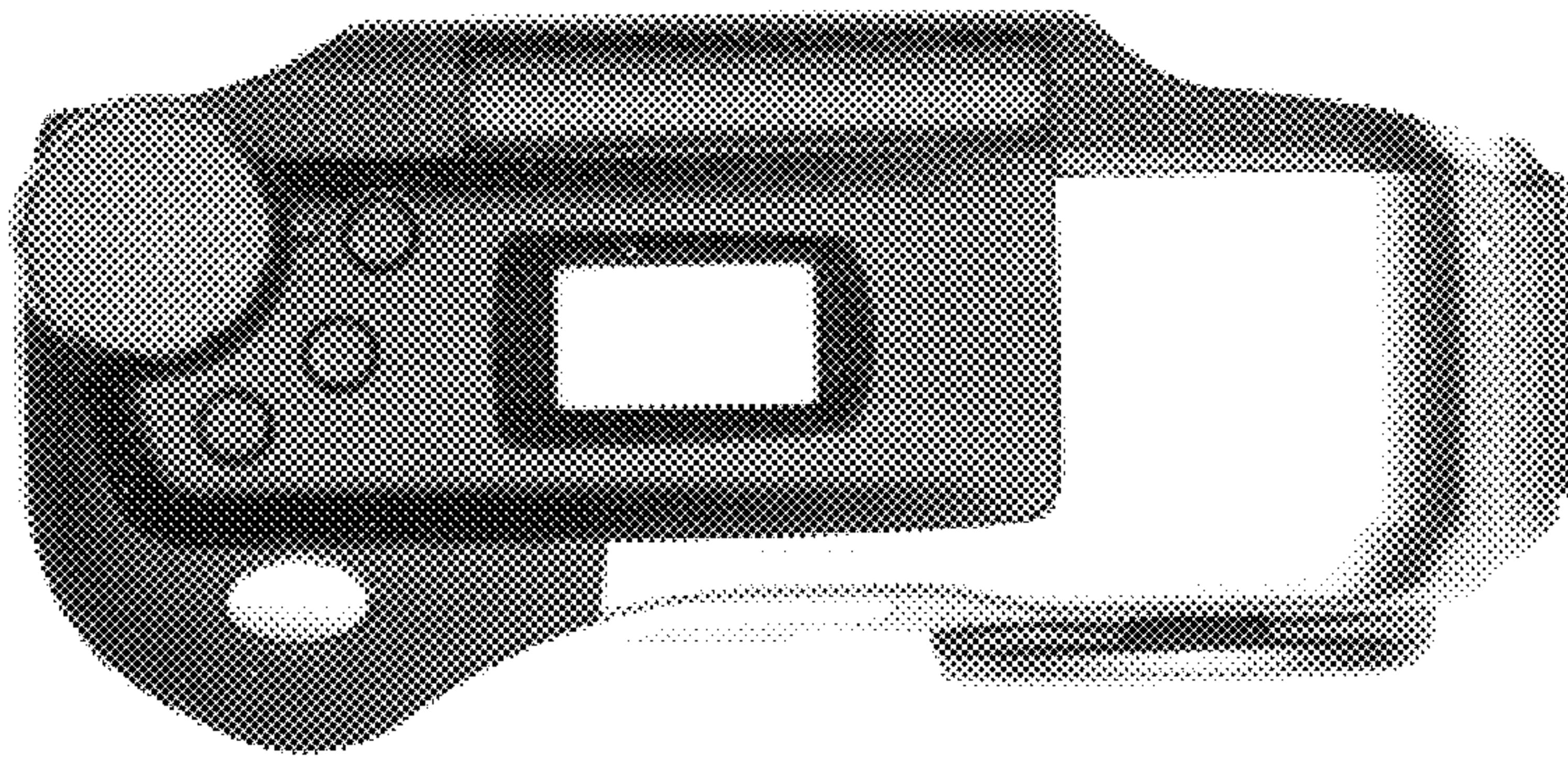


Figure 2

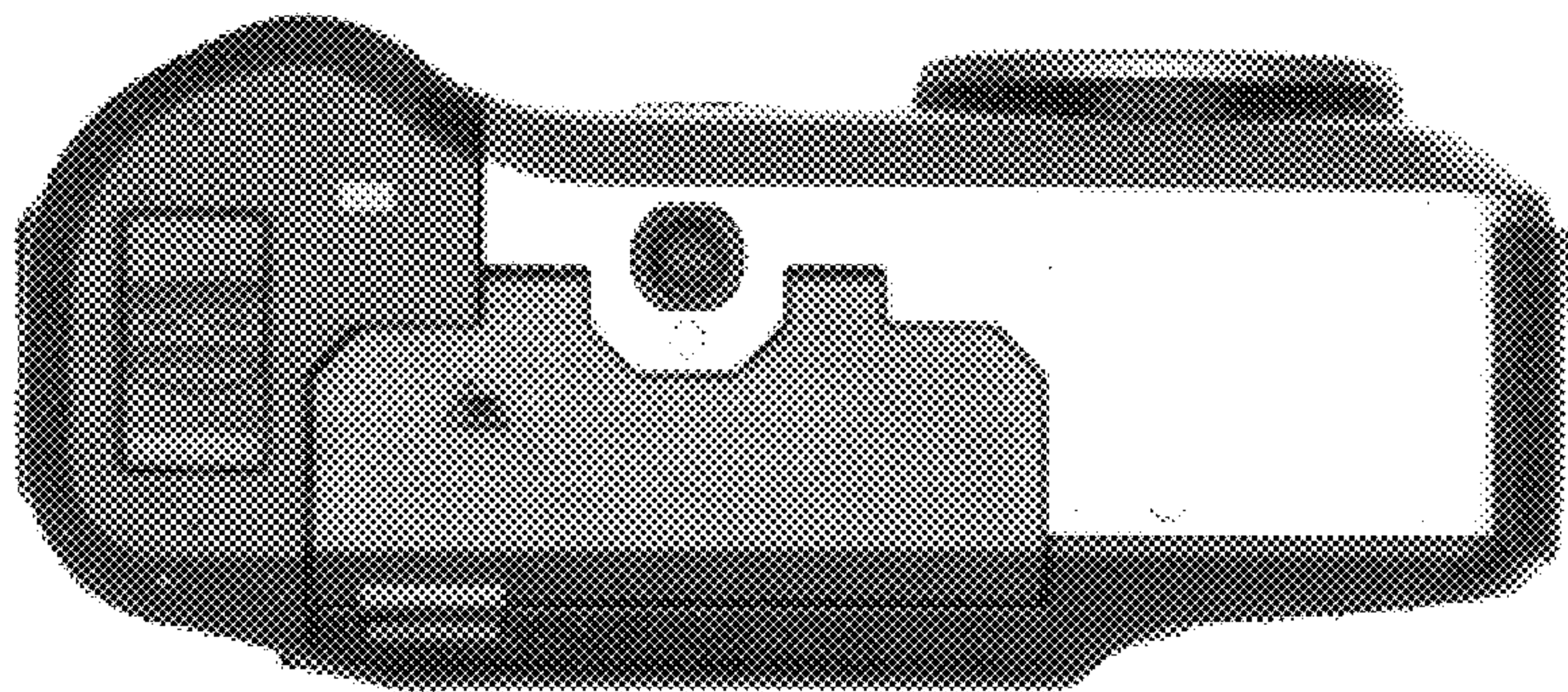


Figure 3



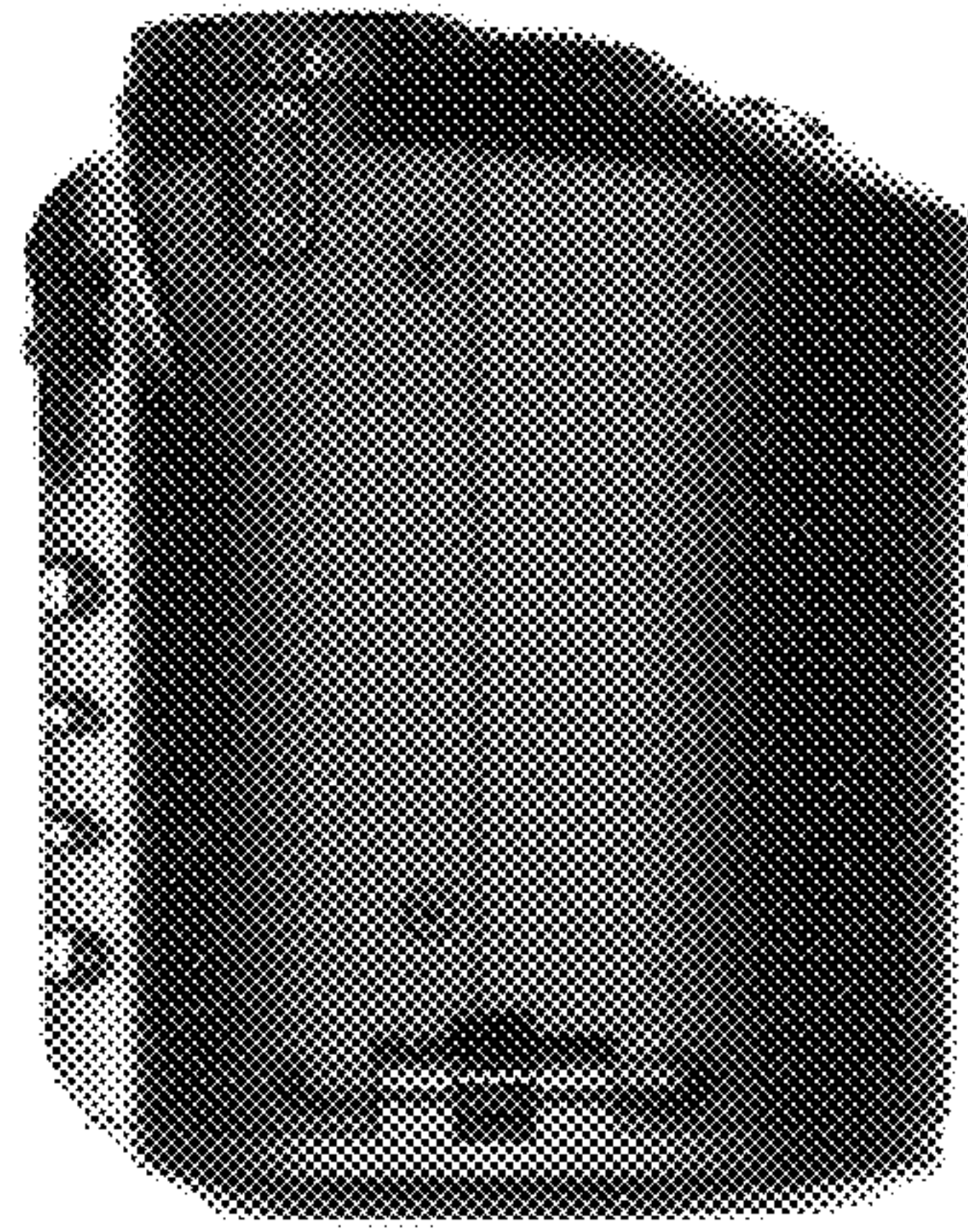


Figure 4

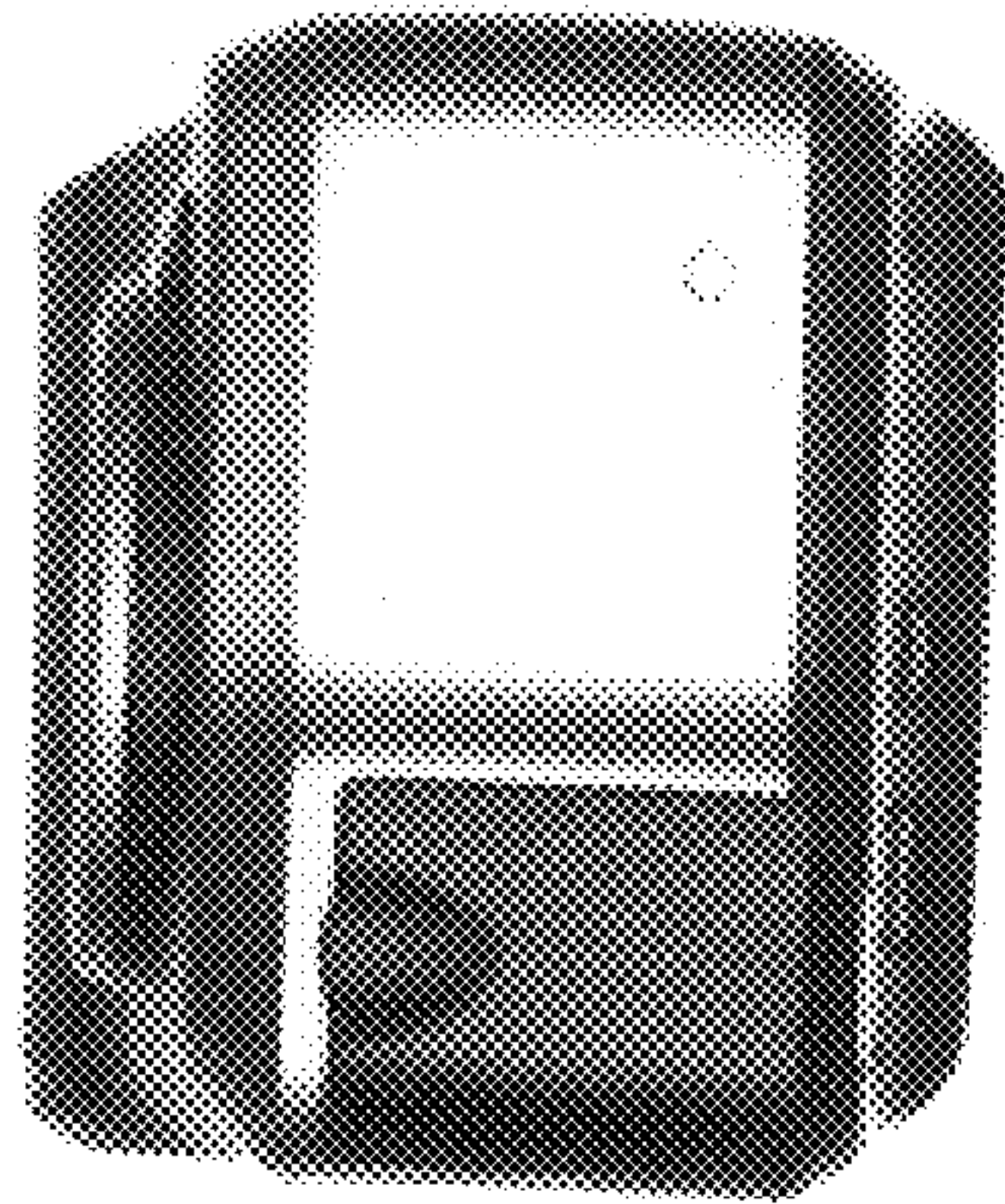


Figure 5

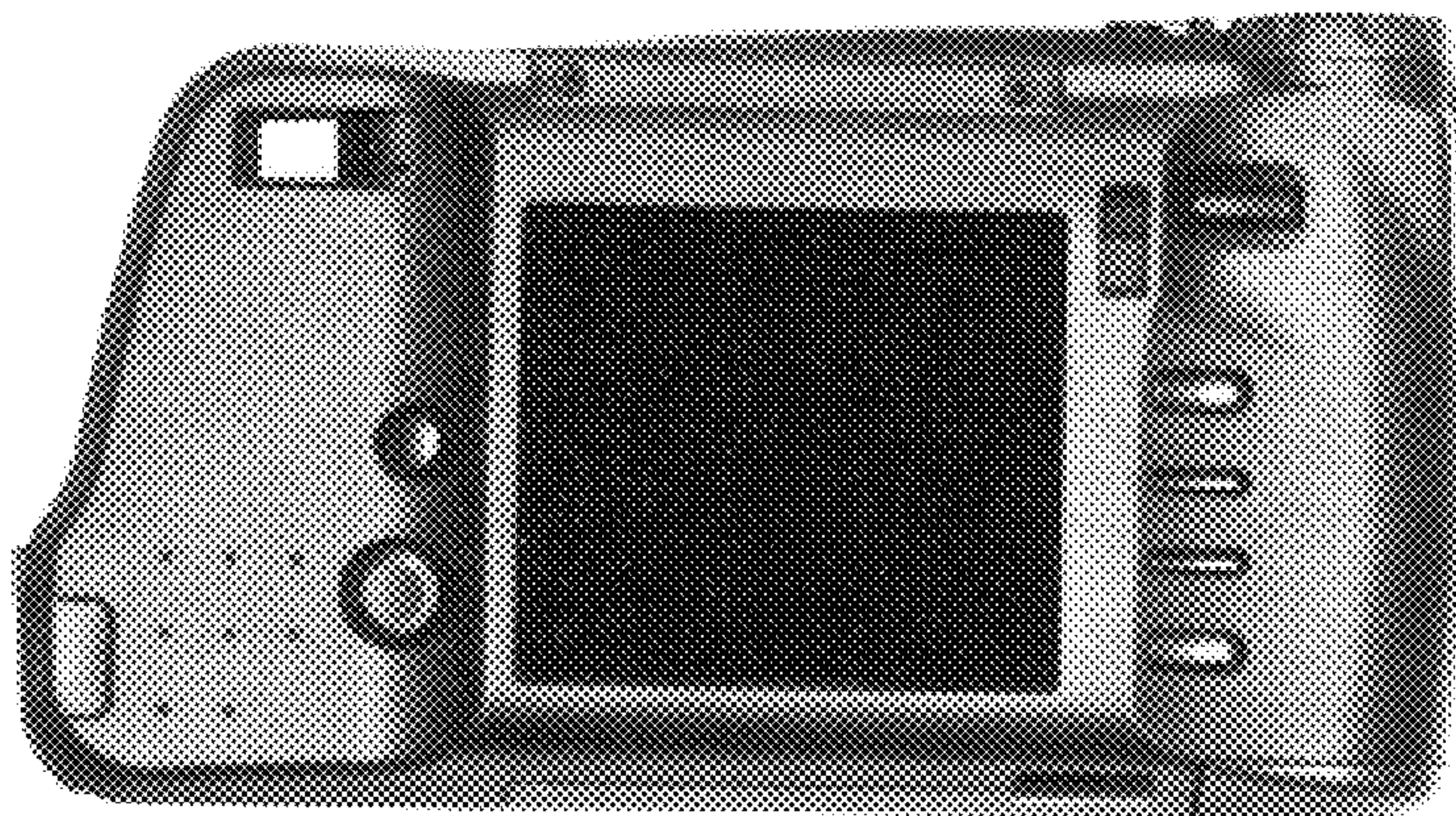


Figure 6





**Figure 7**