



US00D426837S

**United States Patent** [19]  
**Hardy**

[11] **Patent Number: Des. 426,837**

[45] **Date of Patent: \*\* Jun. 20, 2000**

[54] **DENTAL HANDPIECE PRESS DISPLAY**

[76] Inventor: **Henry R. Hardy**, 996 Whitewood Dr.,  
Deltona, Fla. 32725

[\*\*] Term: **14 Years**

[21] Appl. No.: **29/108,027**

[22] Filed: **Jul. 19, 1999**

[51] **LOC (7) Cl.** ..... **15-09**

[52] **U.S. Cl.** ..... **D15/123**

[58] **Field of Search** ..... D15/123, 128;  
29/251, 252, 260, 263, 280, 282, 283; 100/193,  
237, 266, 288, 295

[56] **References Cited**

**U.S. PATENT DOCUMENTS**

5,519,928 5/1996 Hardy ..... 29/251

*Primary Examiner*—Antoine Duval Davis  
*Attorney, Agent, or Firm*—William M. Hobby, III

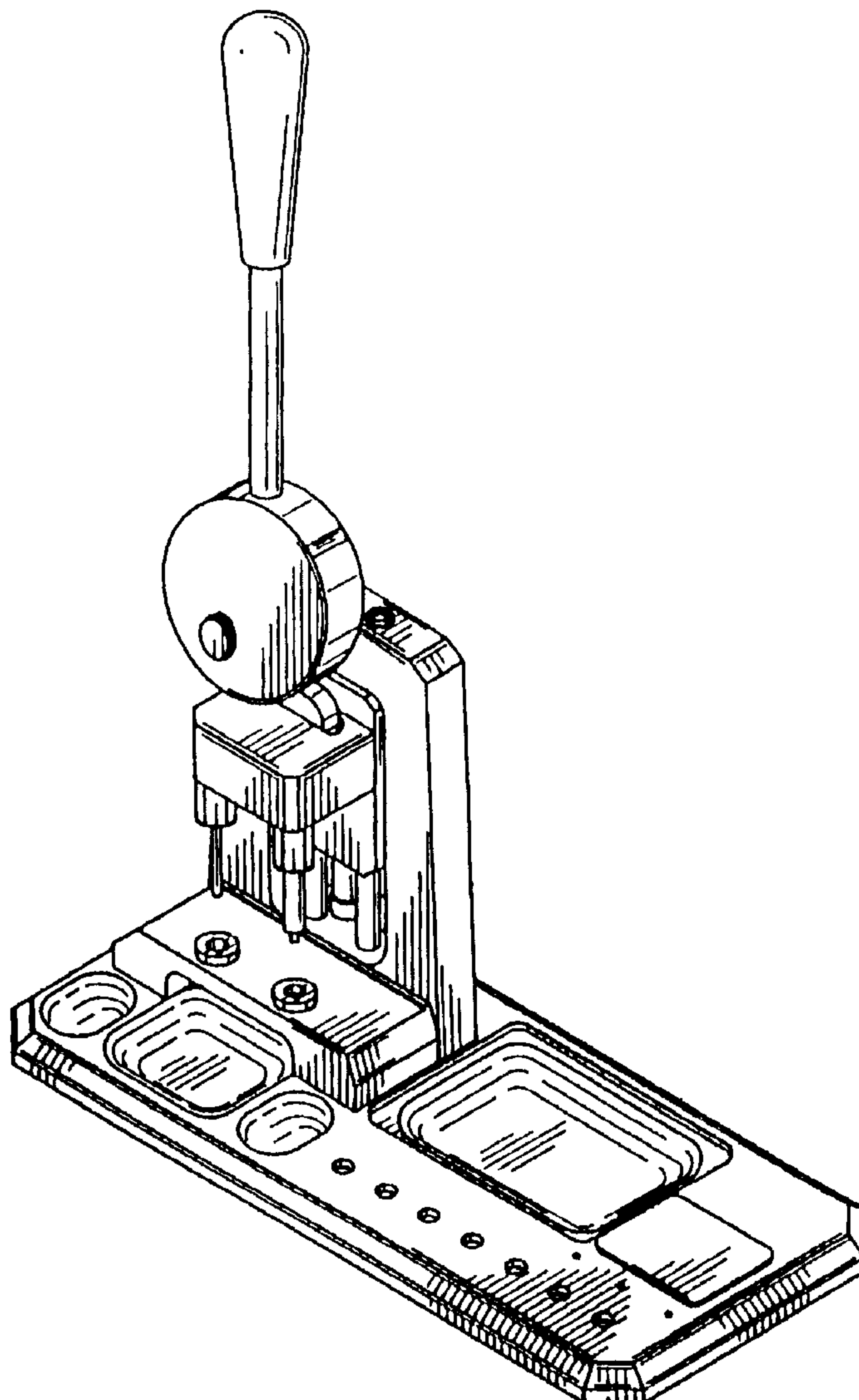
[57] **CLAIM**

The ornamental design for a dental handpiece press display,  
as shown and described.

**DESCRIPTION**

FIG. 1 is a top front and right side perspective view of my  
new dental handpiece press display;  
FIG. 2 is a top plan view;  
FIG. 3 is a bottom plan view;  
FIG. 4 is a rear side elevation;  
FIG. 5 is a front side elevation;  
FIG. 6 is a right side elevation; and,  
FIG. 7 is a left side elevation.

**1 Claim, 3 Drawing Sheets**



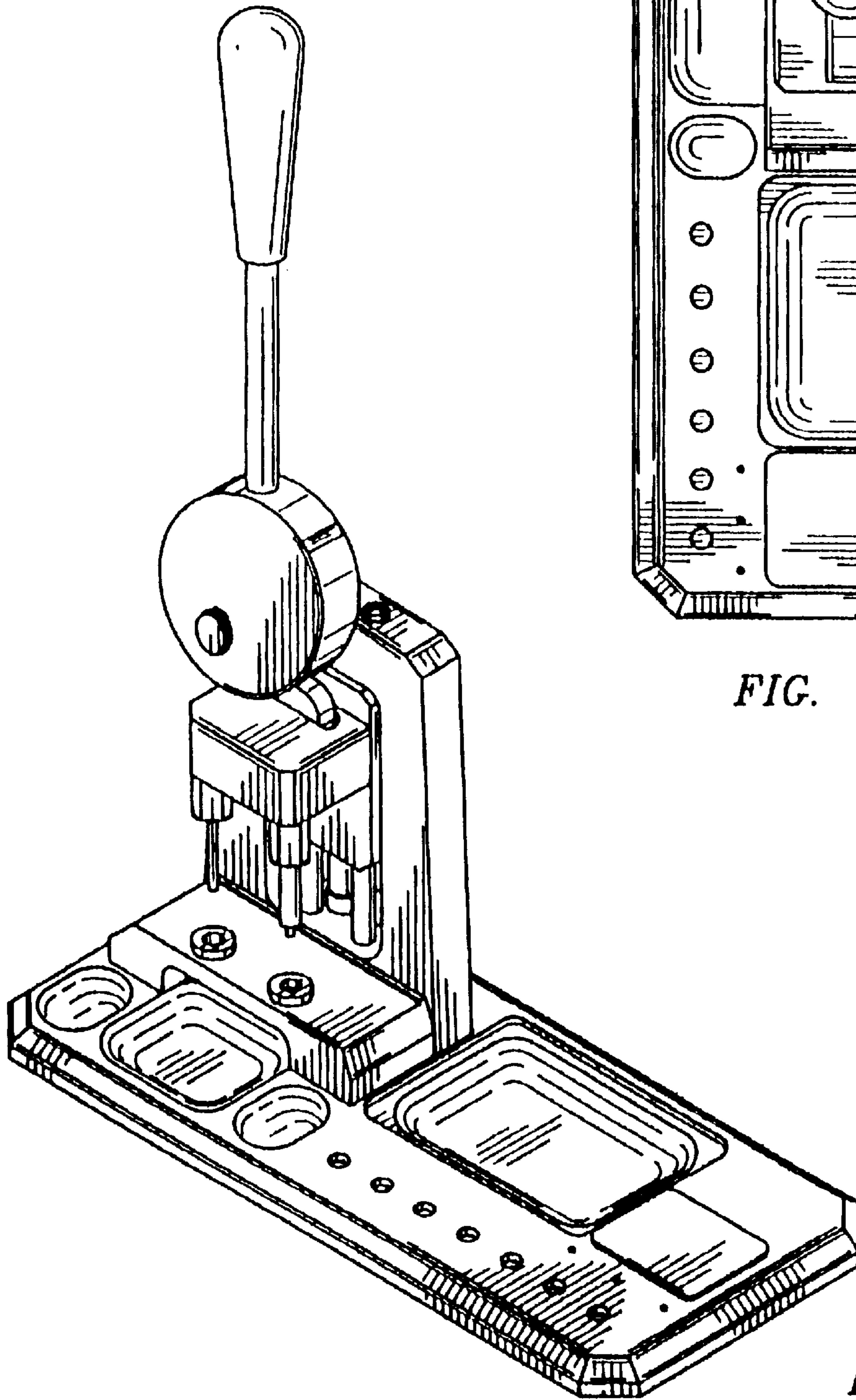


FIG. 1

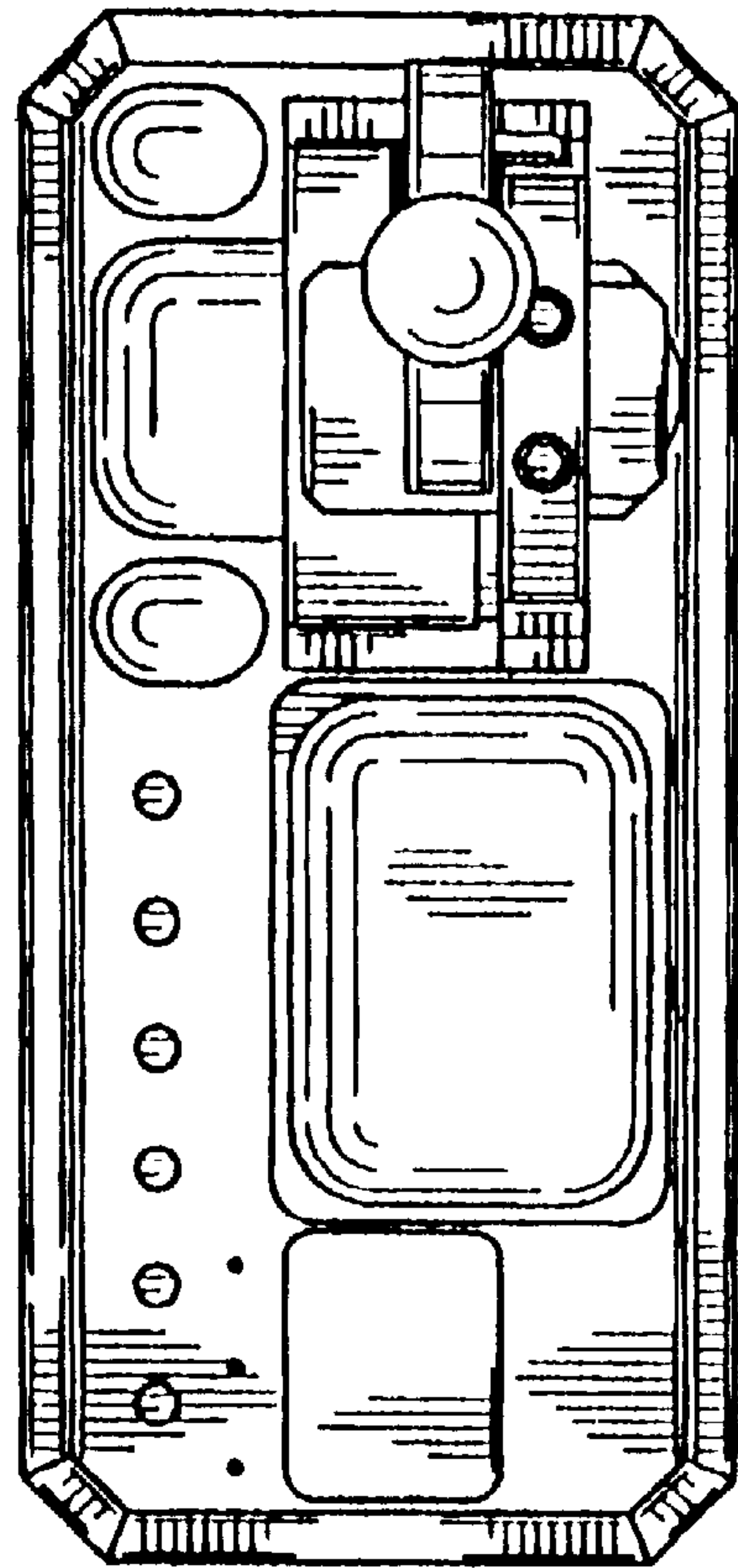


FIG. 2

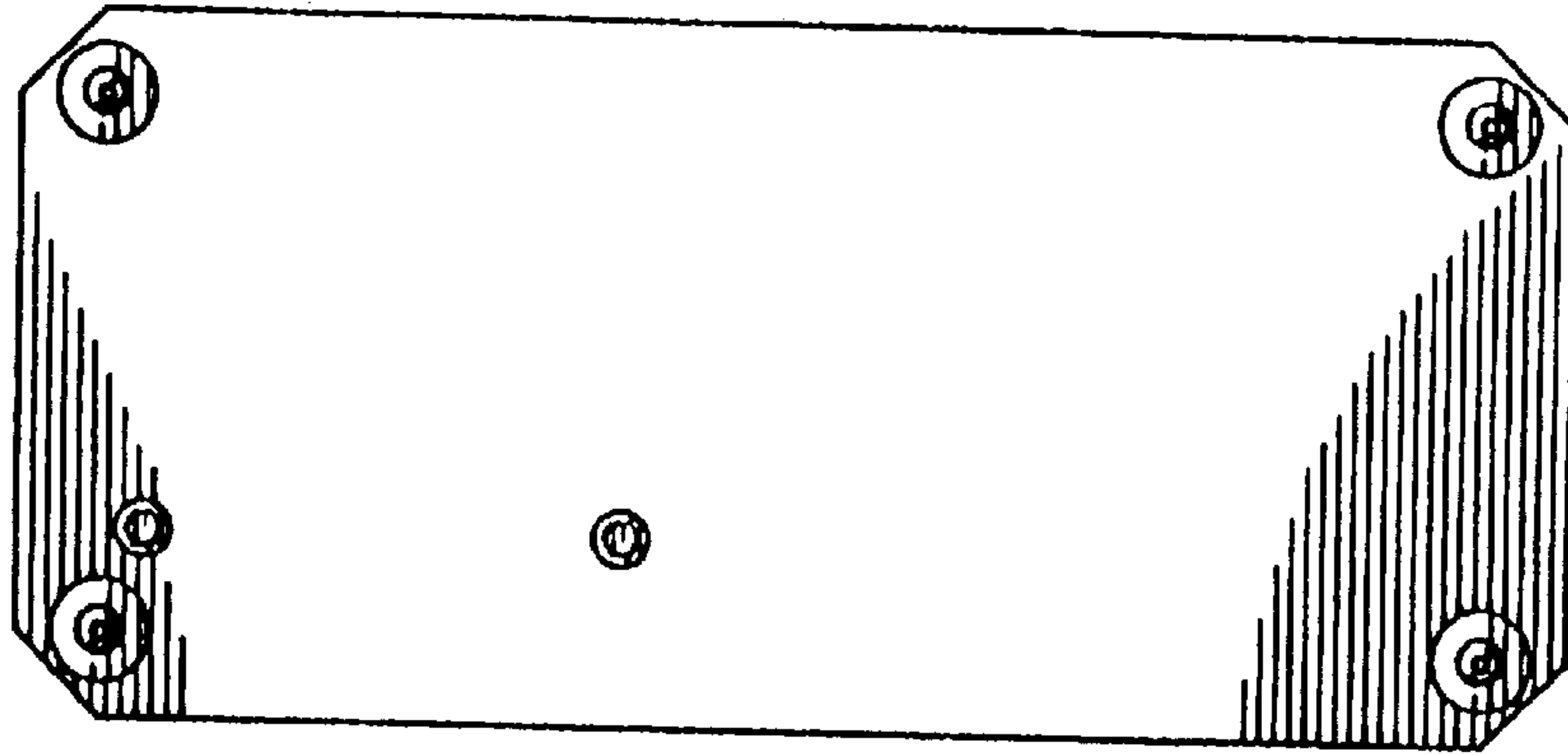


FIG. 3

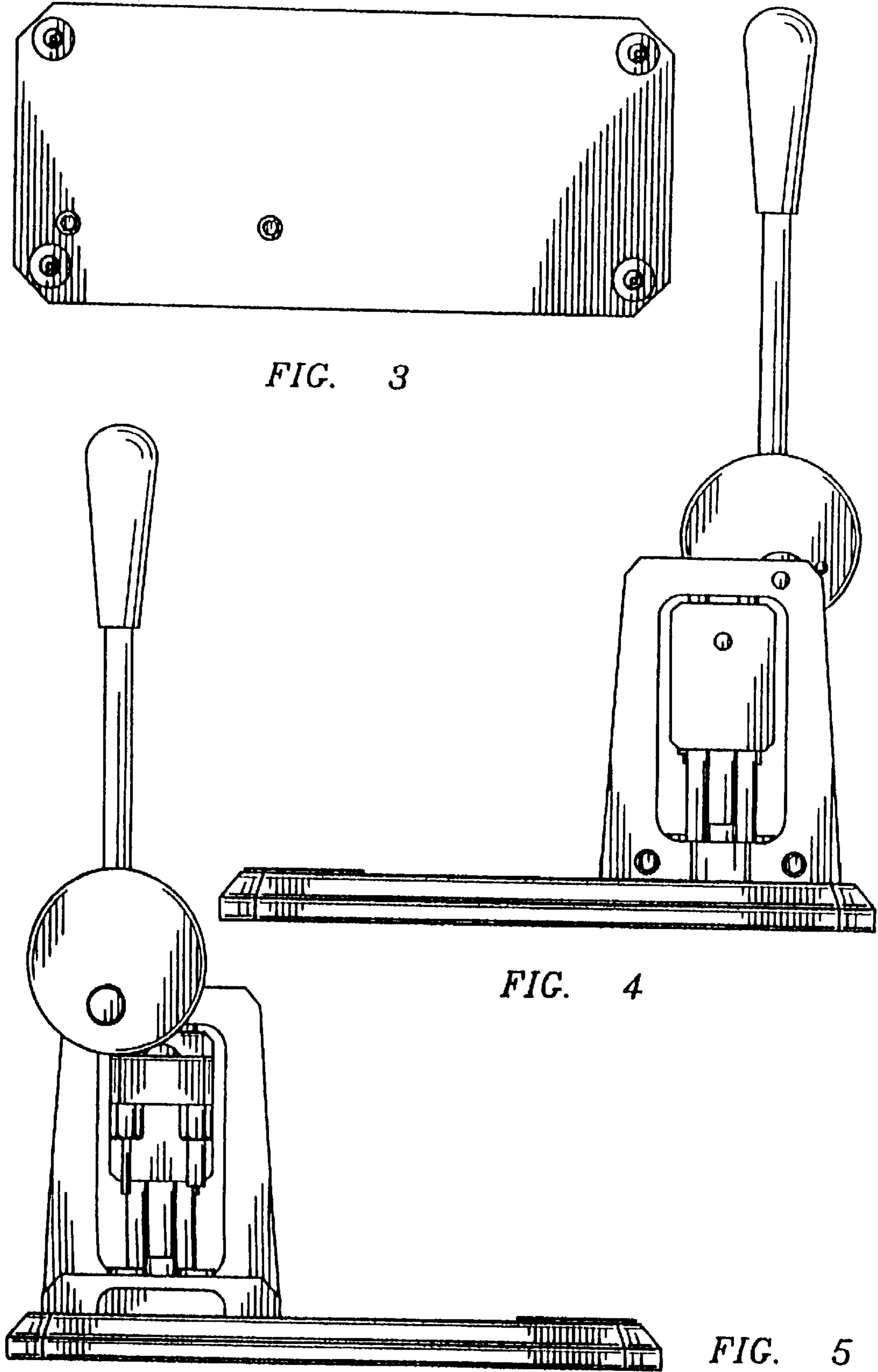


FIG. 4

FIG. 5

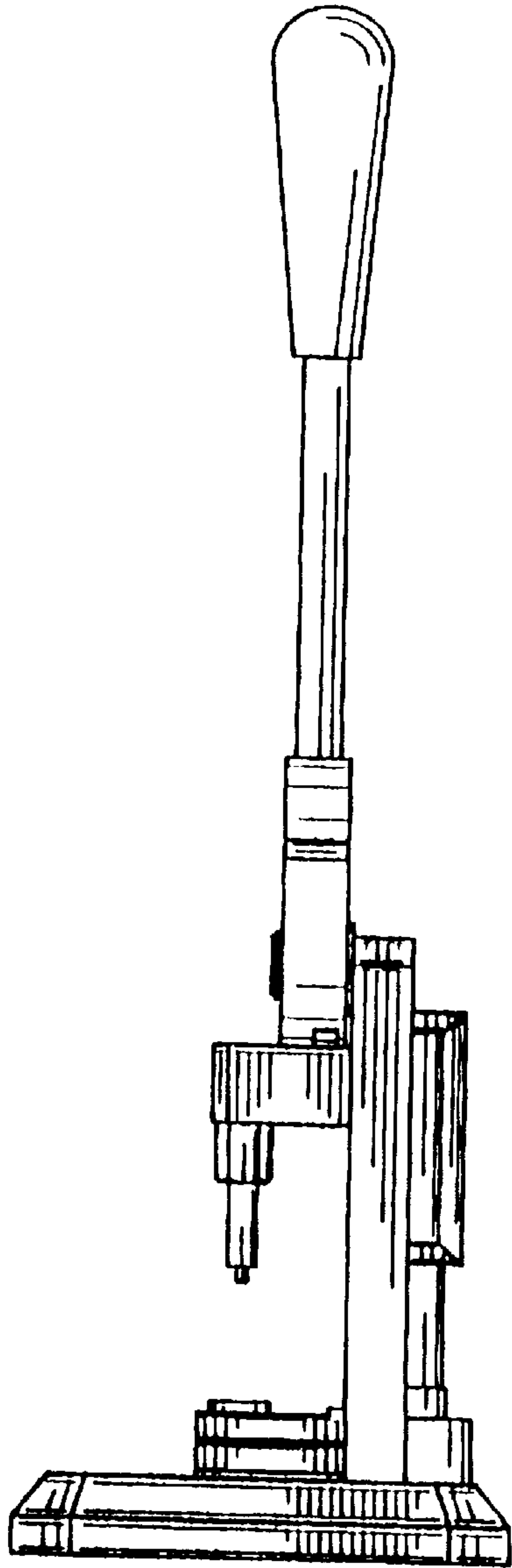


FIG. 6

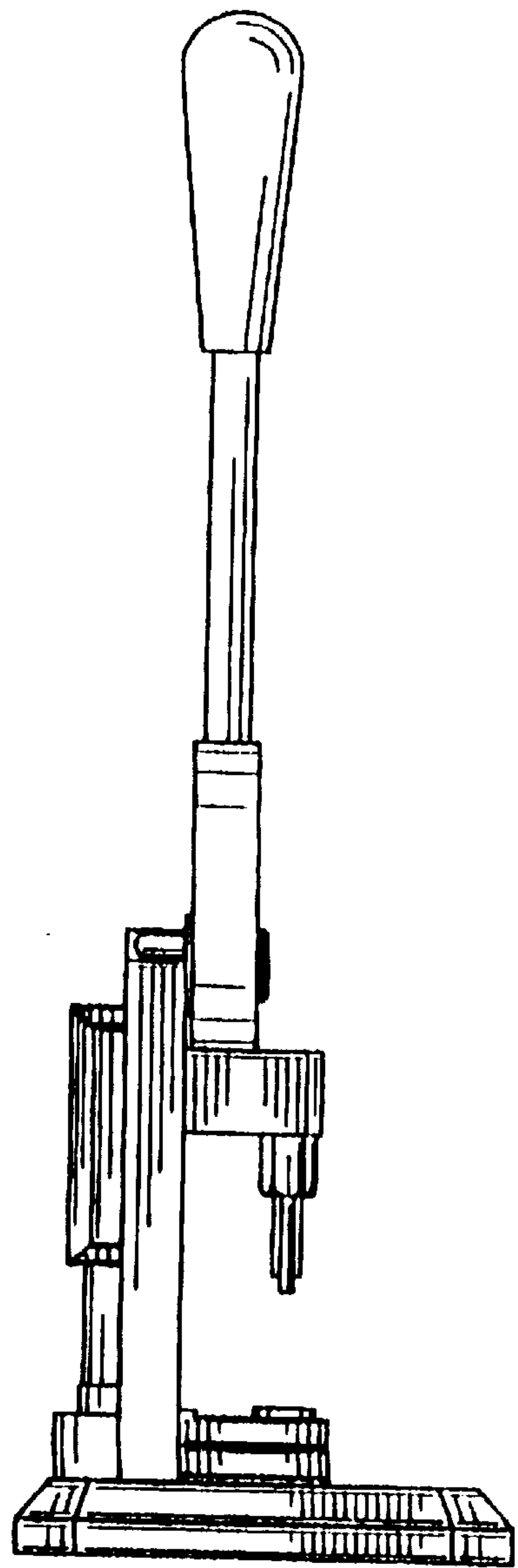


FIG. 7