



US00D426836S

United States Patent [19]
Sirois et al.

[11] **Patent Number: Des. 426,836**
[45] **Date of Patent: ** Jun. 20, 2000**

[54] **MOWER SHROUD**

[75] Inventors: **Michael G. Sirois**, Ottawa, Canada;
Bruce W. Brooks, Pembroke Pines, Fla.;
Colin M. Dyke, North Augusta, Canada;
Roderick D. Muir, South Mountain, Canada;
David S. Strong, Battersea, Canada;
Richard P. Rosa, Brockville, Canada;
Brian S. Burnett, Mallorytown, Canada;
Lawrie Cunningham, Stockton-on-Tees, United Kingdom

[73] Assignee: **Black & Decker Inc.**, Newark, Del.

[**] Term: **14 Years**

[21] Appl. No.: **29/072,149**

[22] Filed: **Apr. 3, 1997**

Related U.S. Application Data

[60] Division of application No. 29/042,994, Jul. 25, 1995, abandoned, which is a continuation-in-part of application No. 29/072,102, Aug. 12, 1994, abandoned.

[51] **LOC (7) Cl.** **15-03**

[52] **U.S. Cl.** **D15/14**

[58] **Field of Search** D15/14-17; 56/17.5, 56/249, 255, 320.1, 320.2

[56] **References Cited**

U.S. PATENT DOCUMENTS

D. 330,210	10/1992	Sirois et al.	D15/14
D. 333,309	2/1993	Hess et al.	D15/14
D. 347,640	6/1994	Chunn et al.	D15/14
D. 356,581	3/1995	Chunn et al.	D15/14
D. 361,771	8/1995	Ledingham	D15/14
D. 374,017	9/1996	Chunn et al.	D15/14

FOREIGN PATENT DOCUMENTS

2083733 3/1982 United Kingdom .
2175483 12/1986 United Kingdom .

OTHER PUBLICATIONS

Black & Decker 1992 Catalog. p. 5, M200 Flip Over Handle Mower, left.
Horticulture Magazine, May 1993. p. 49, Ryobi Mulchinator Mulching Mower.

Primary Examiner—Sandra L. Morris
Attorney, Agent, or Firm—Harness, Dickey & Pierce, P.L.C.

[57] **CLAIM**

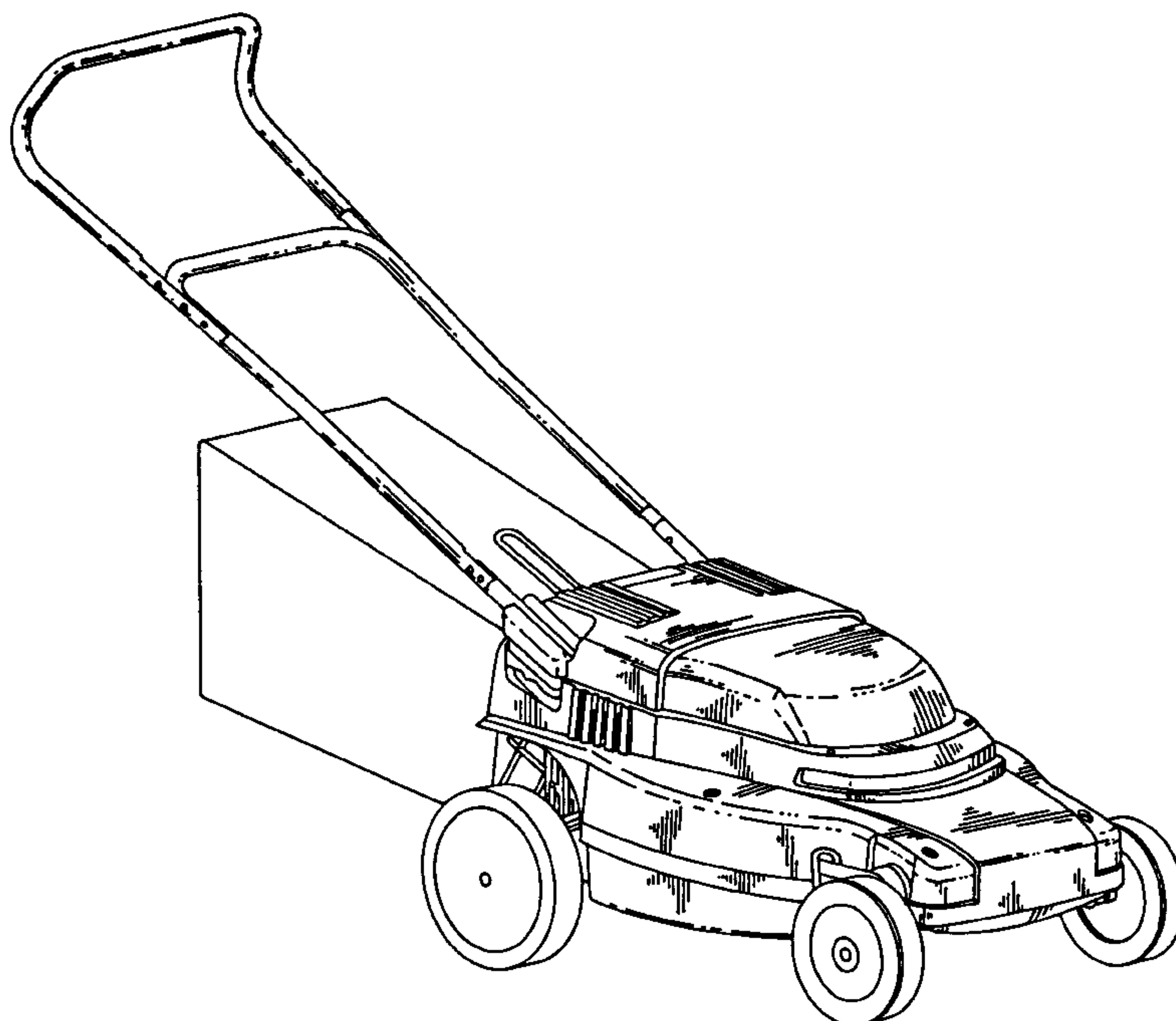
The ornamental design for a mower shroud, as shown and described.

DESCRIPTION

FIG. 1 is a front perspective view of a mower shroud showing our new design;
FIG. 2 is a rear perspective view of the mower of FIG. 1;
FIG. 3 is a right side view of the mower of FIG. 1;
FIG. 4 is a left side view of the mower of FIG. 1;
FIG. 5 is a front view of the mower of FIG. 1;
FIG. 6 is a top view of the mower of FIG. 1;
FIG. 7 is a rear view of the mower of FIG. 1;
FIG. 8 is a front perspective view of a mower in accordance with a second embodiment of the invention;
FIG. 9 is a rear perspective view of the mower of FIG. 8;
FIG. 10 is a right side view of the mower of FIG. 8;
FIG. 11 is a left side view of the mower of FIG. 8;
FIG. 12 is a front view of the mower of FIG. 8;
FIG. 13 is a top view of the mower of FIG. 8; and,
FIG. 14 is a rear view of the mower of FIG. 8.

The broken lines in FIGS. 8-14 of the drawing figures are for illustrative purposes only and do not form any part of the claimed design.

1 Claim, 12 Drawing Sheets



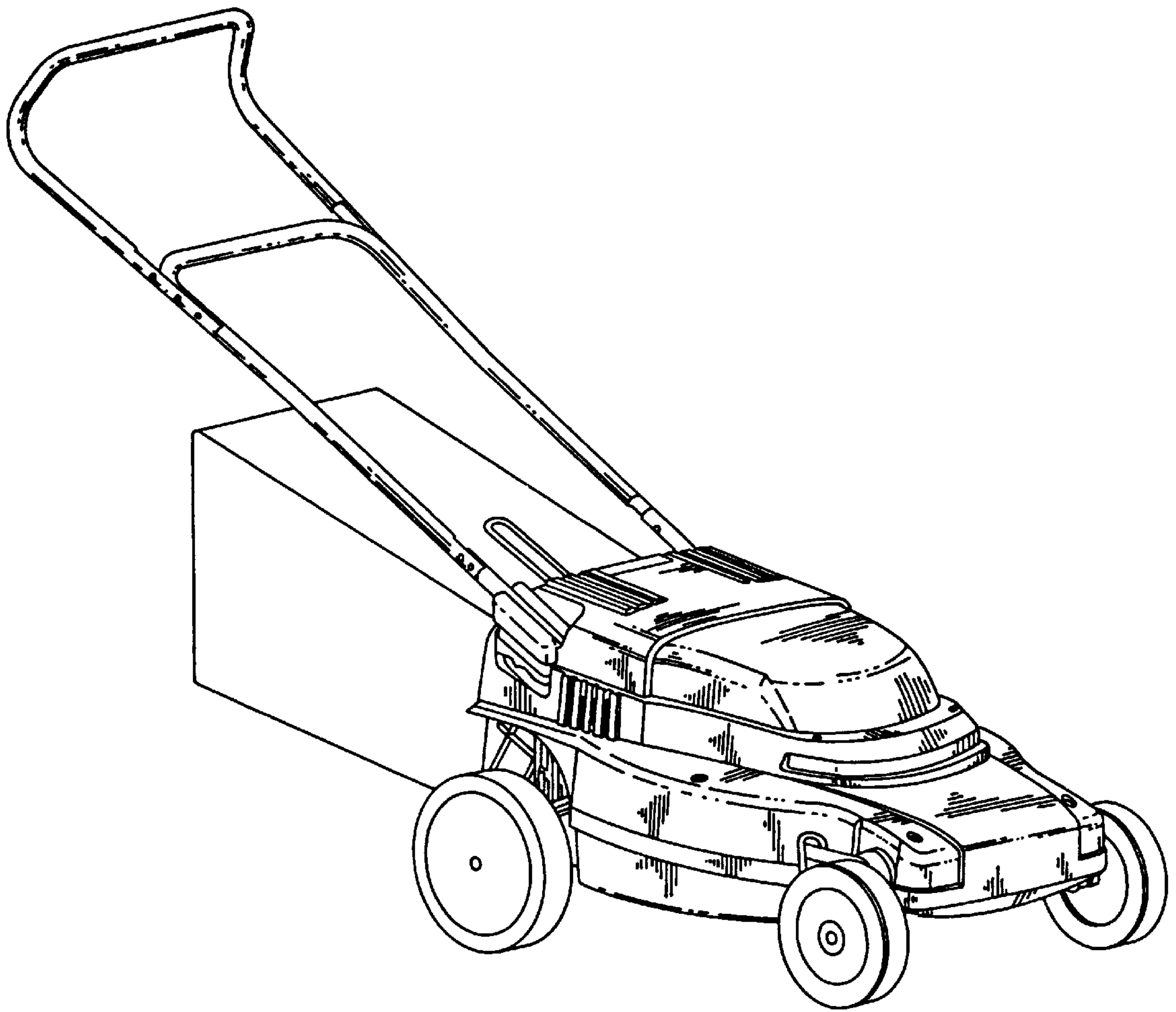


FIG I

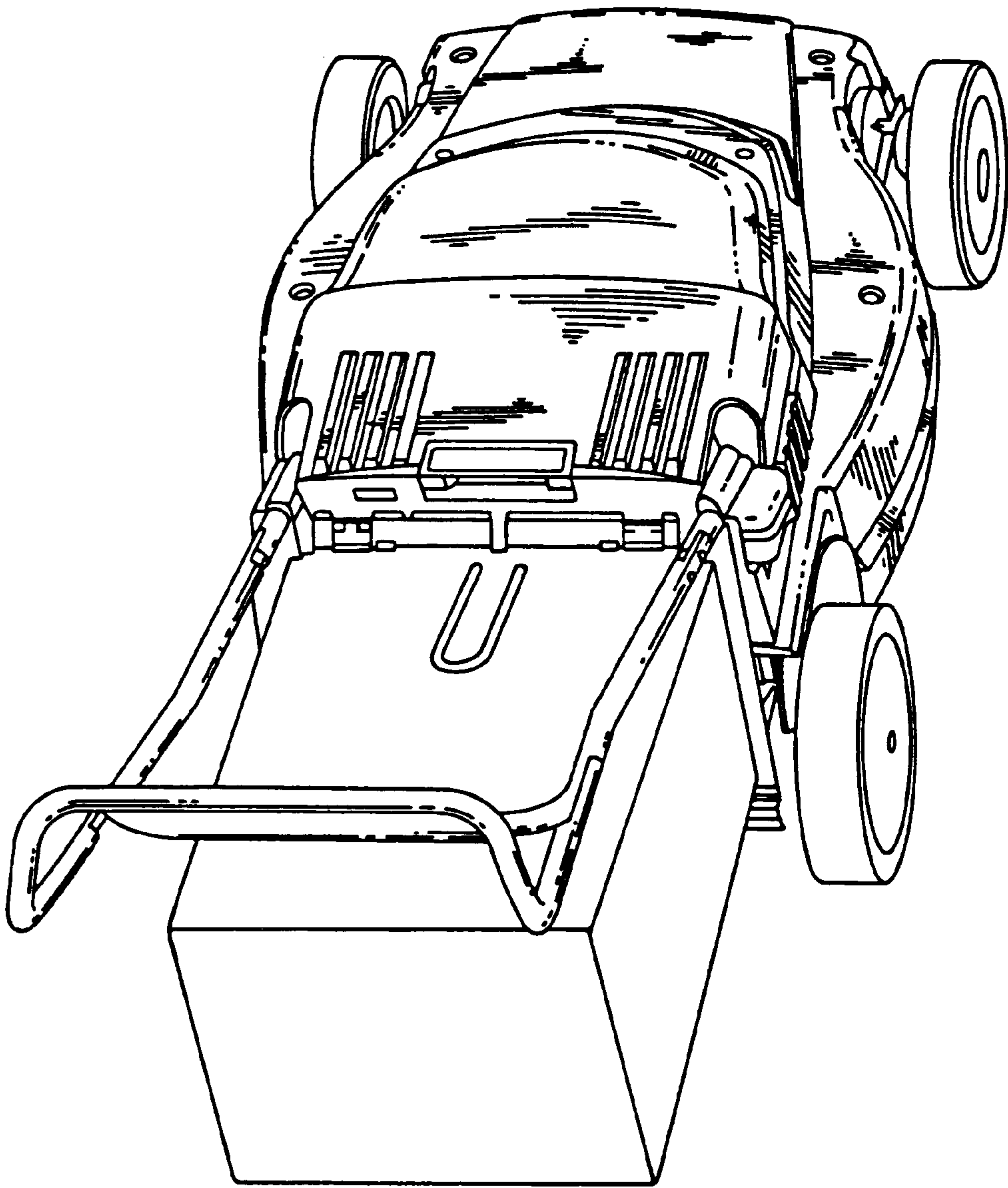


FIG 2

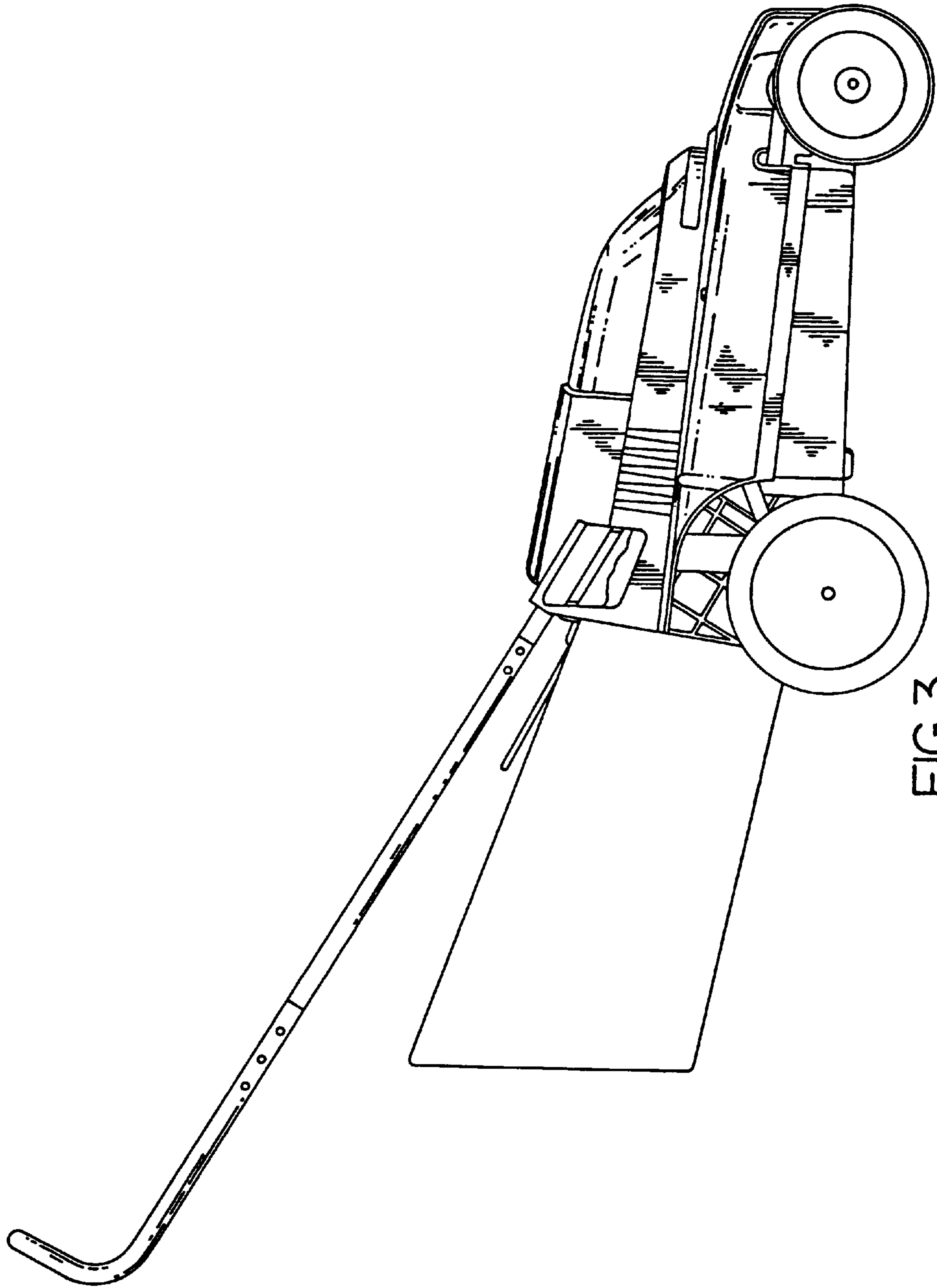


FIG 3

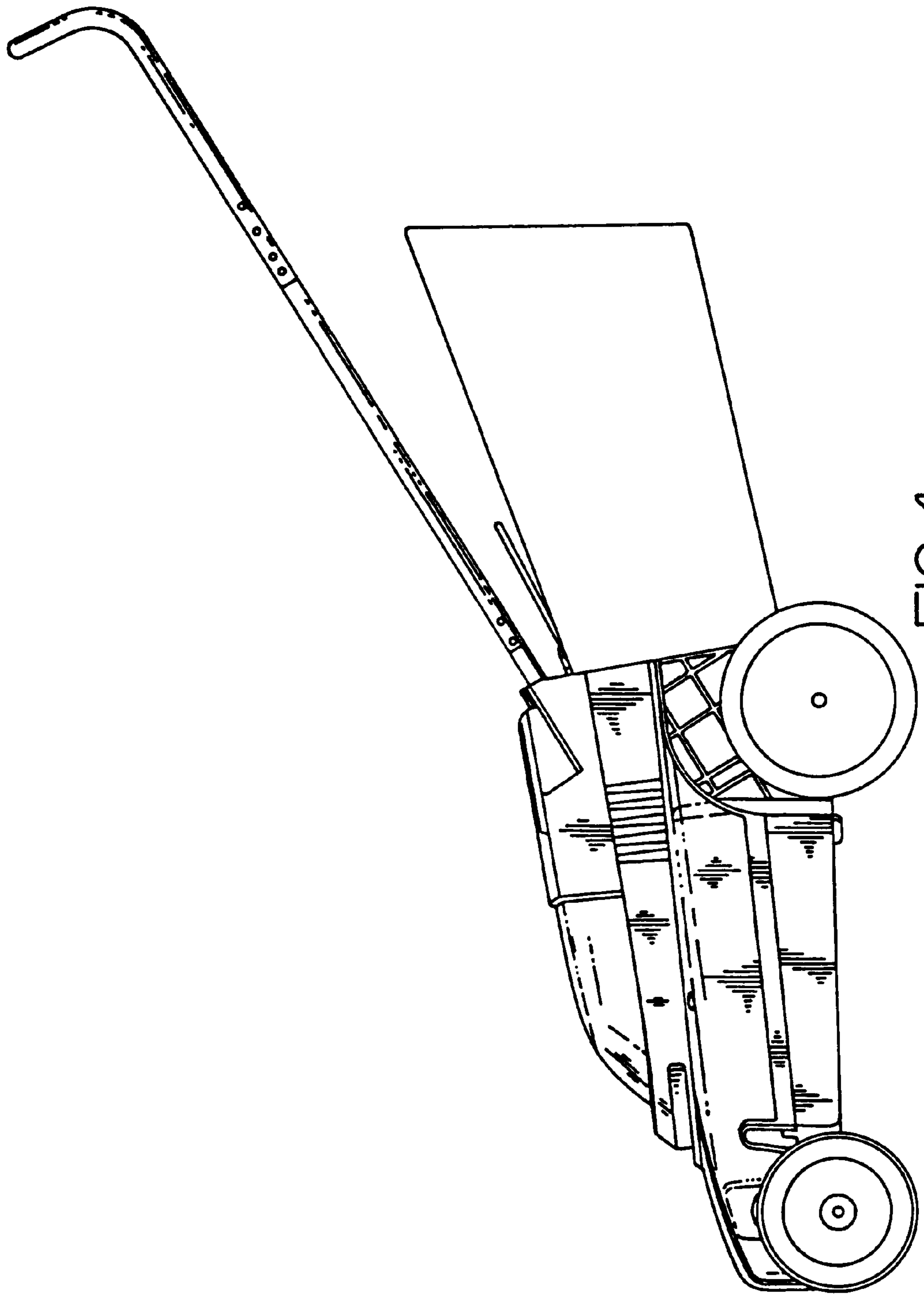


FIG 4

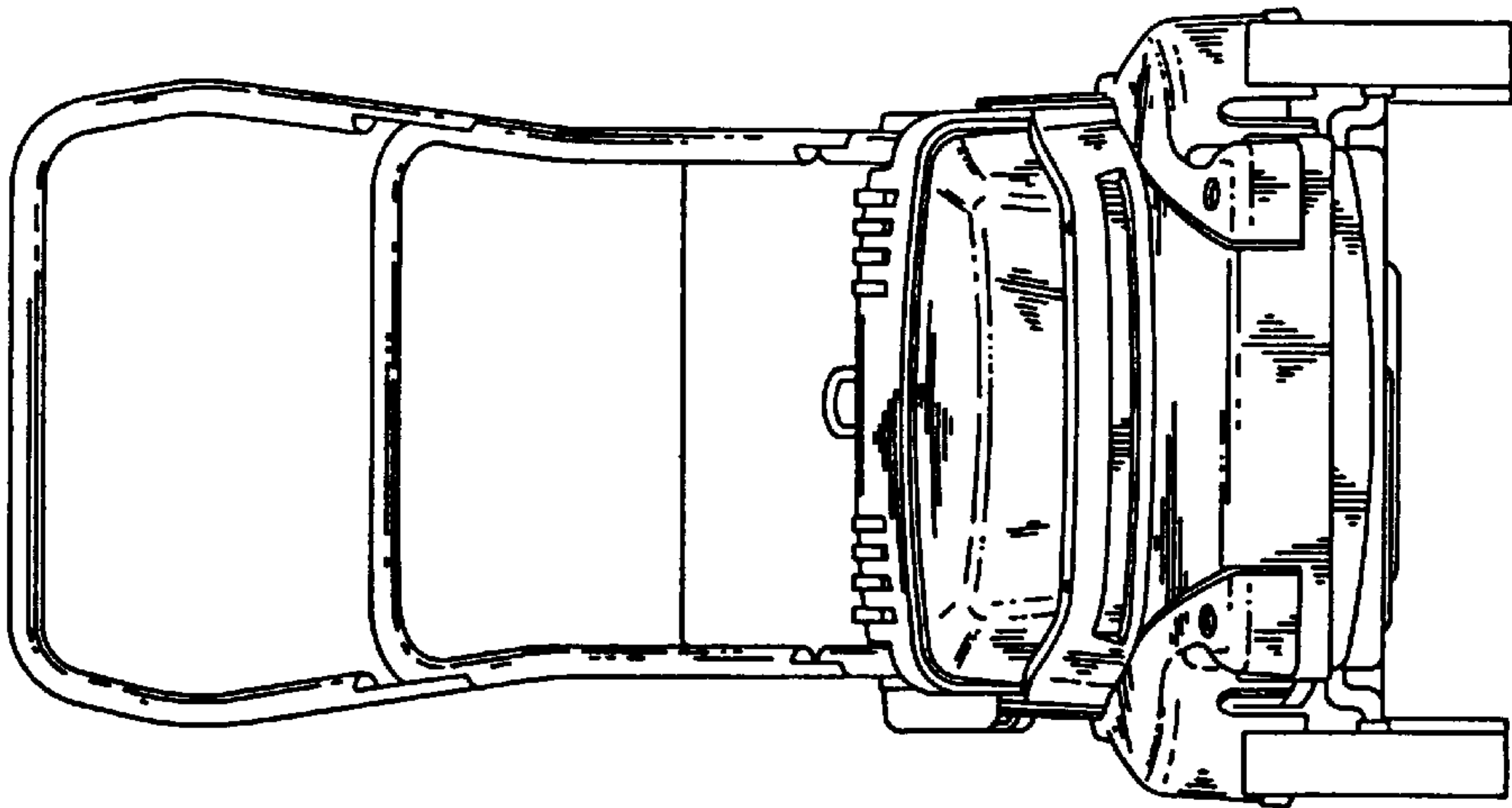
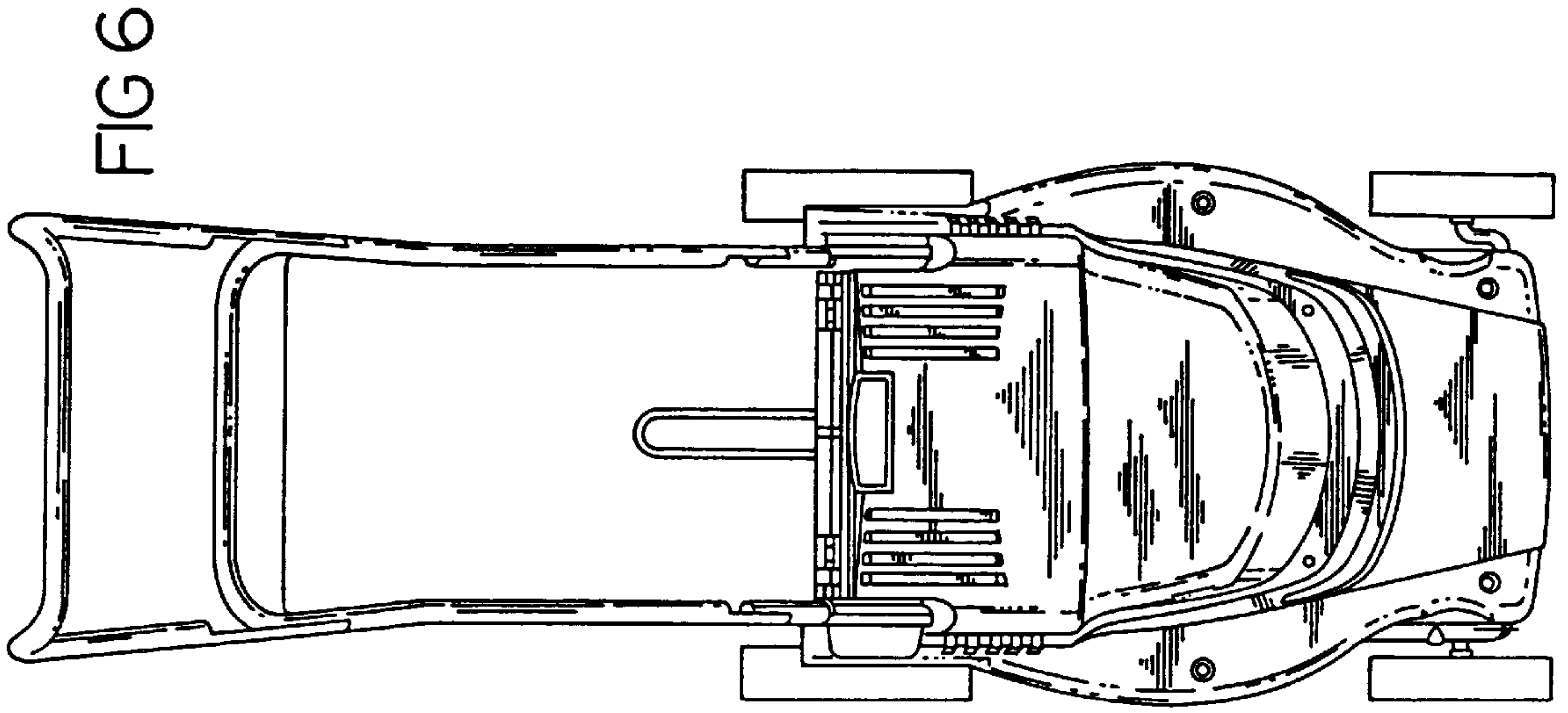


FIG 6

FIG 5

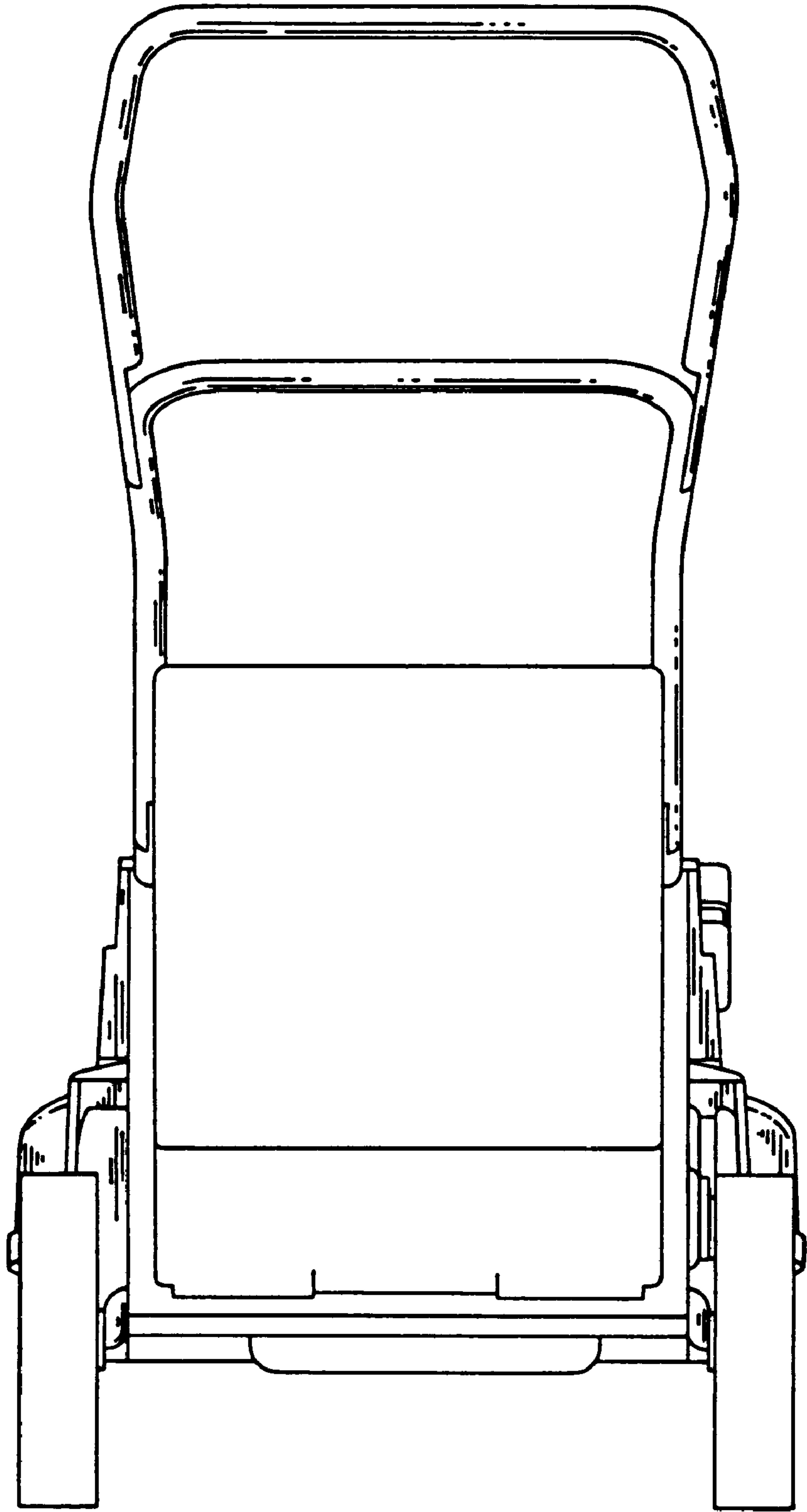


FIG 7

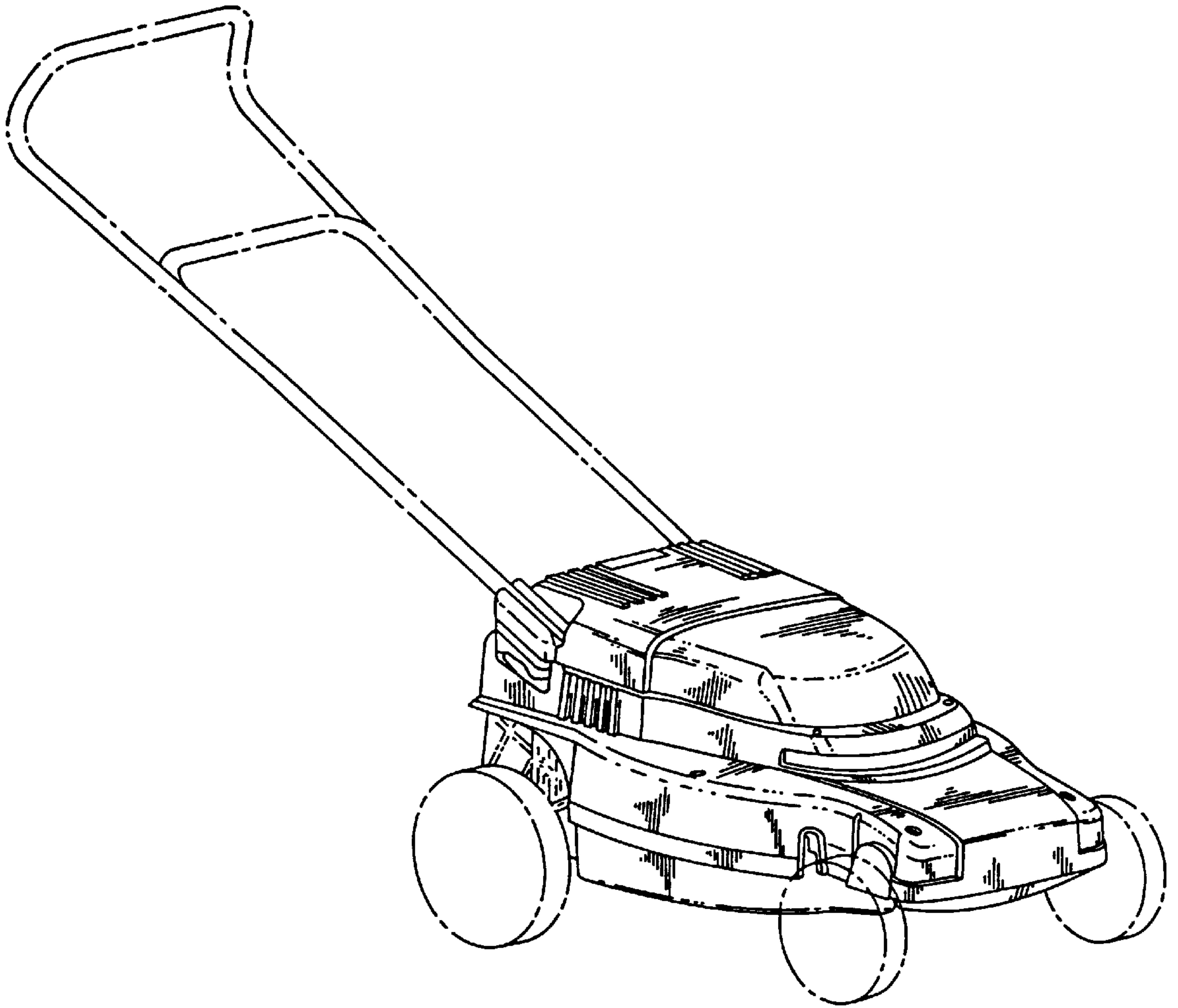


FIG 8

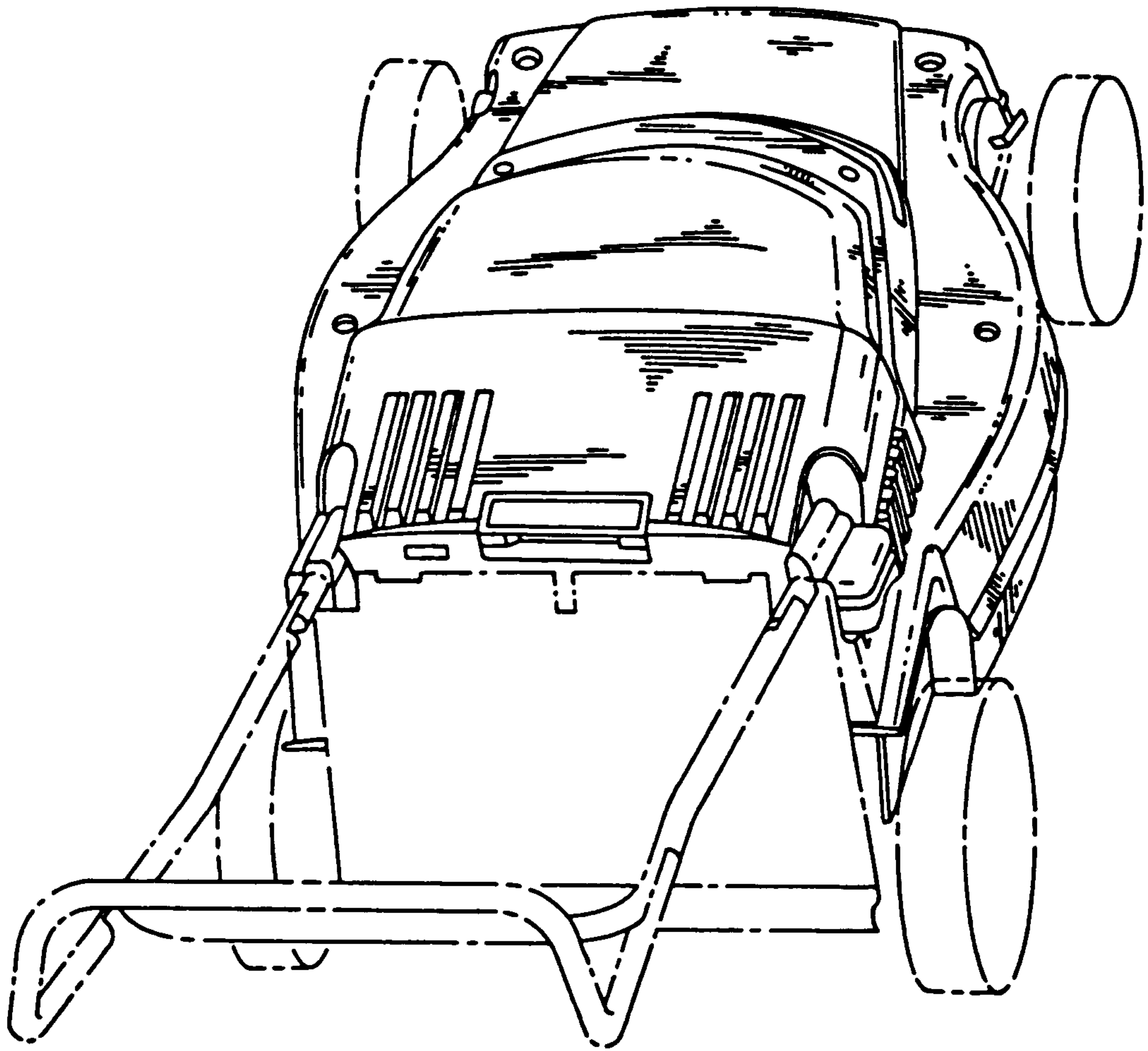


FIG 9

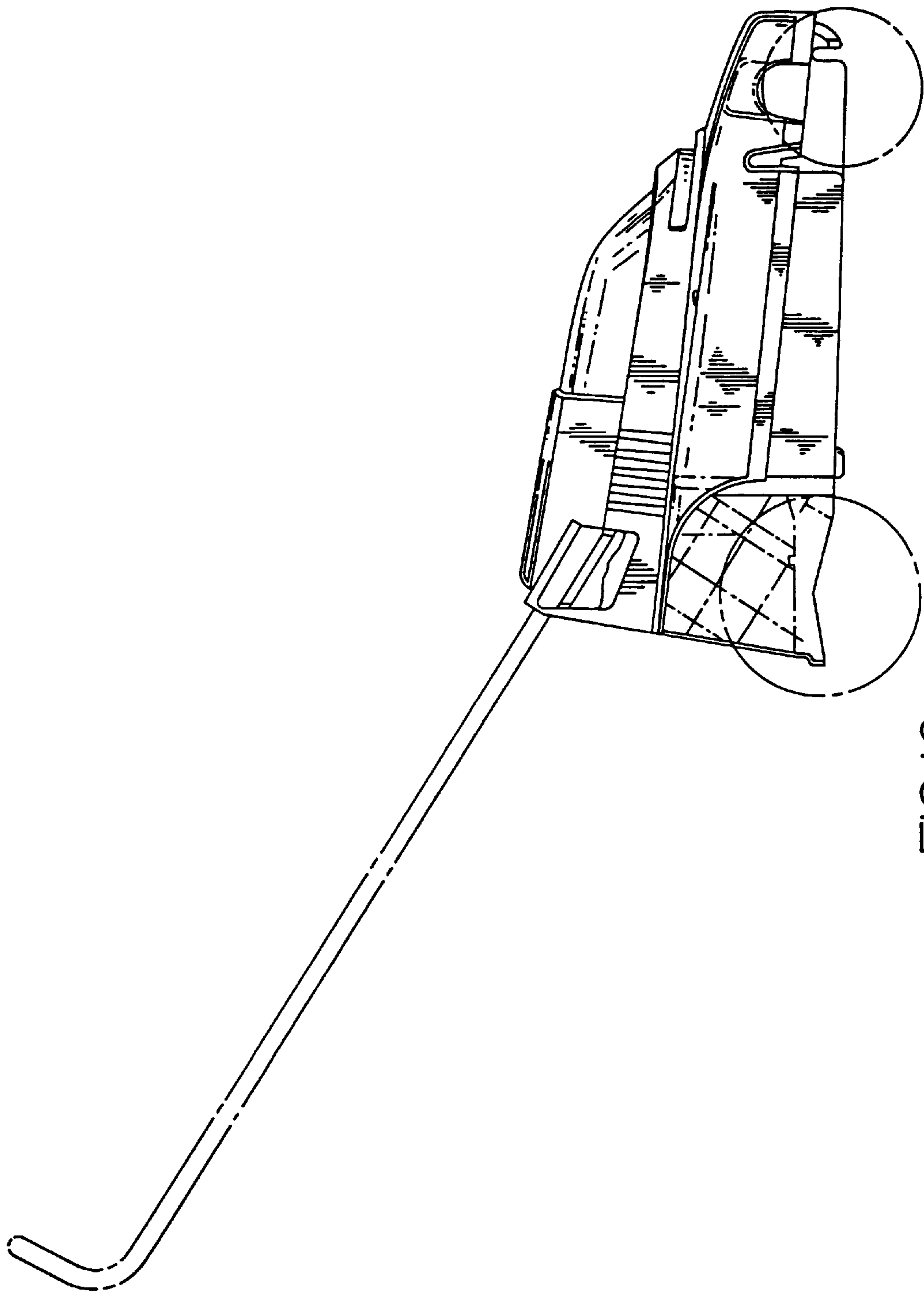


FIG 10

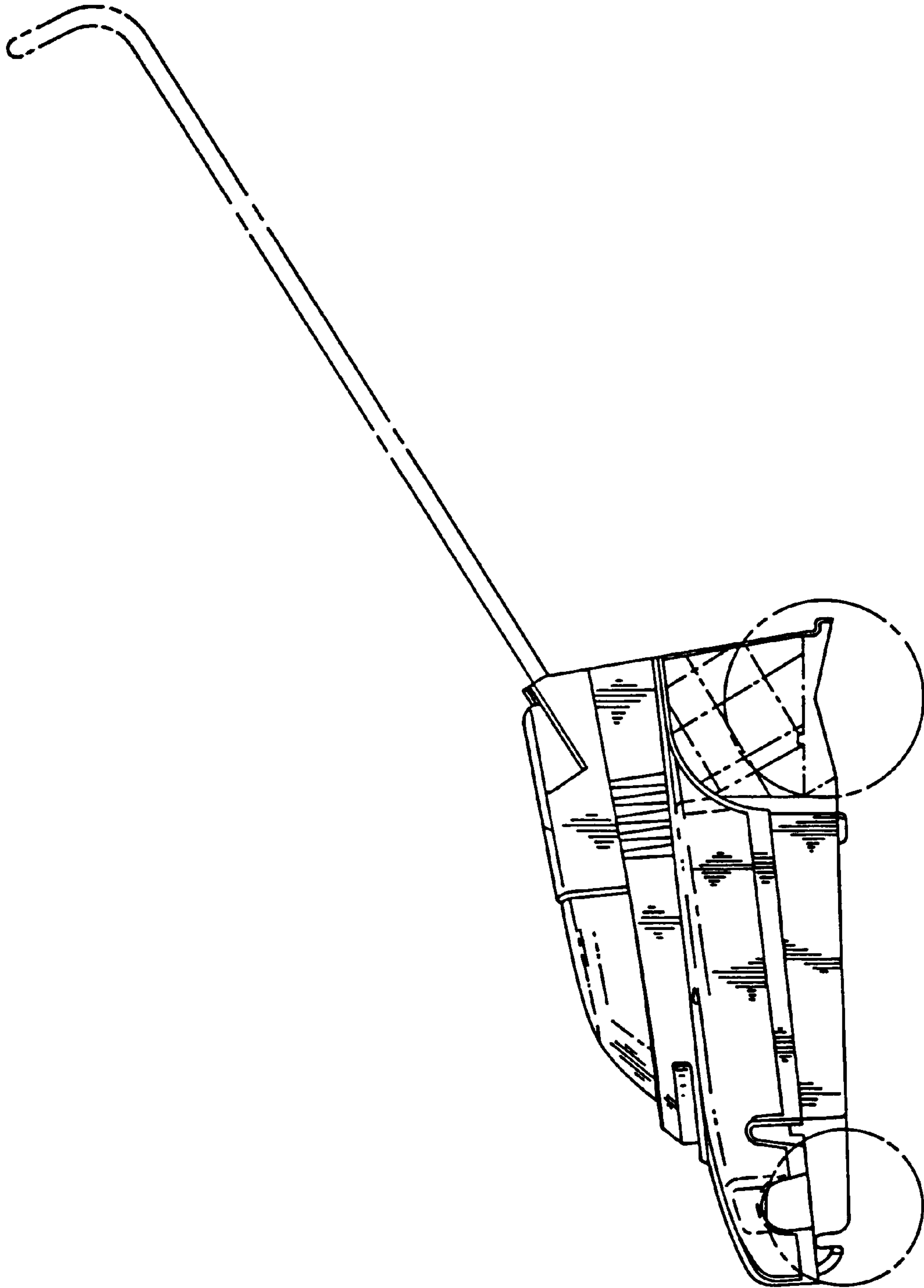


FIG II

FIG 13

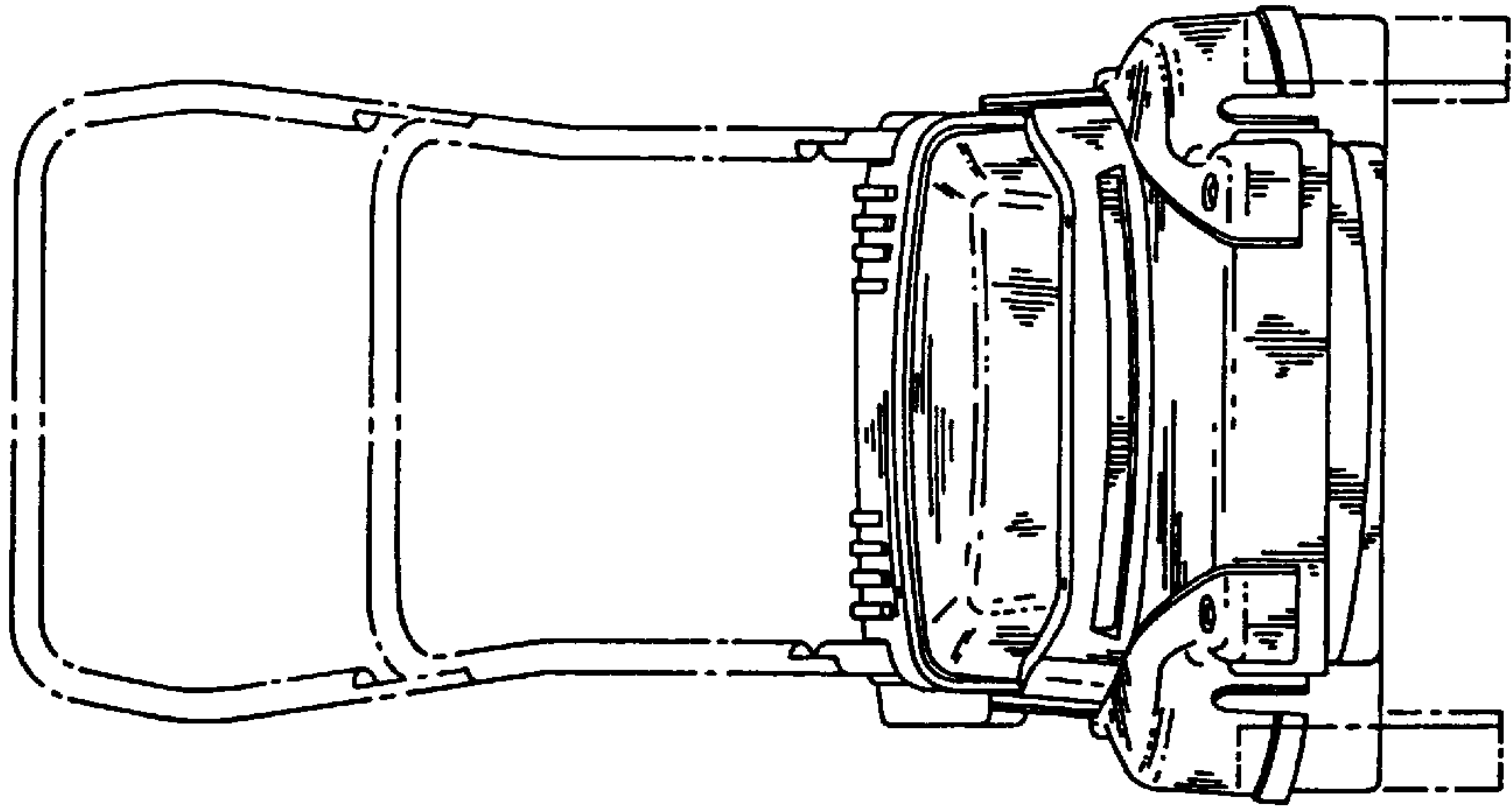
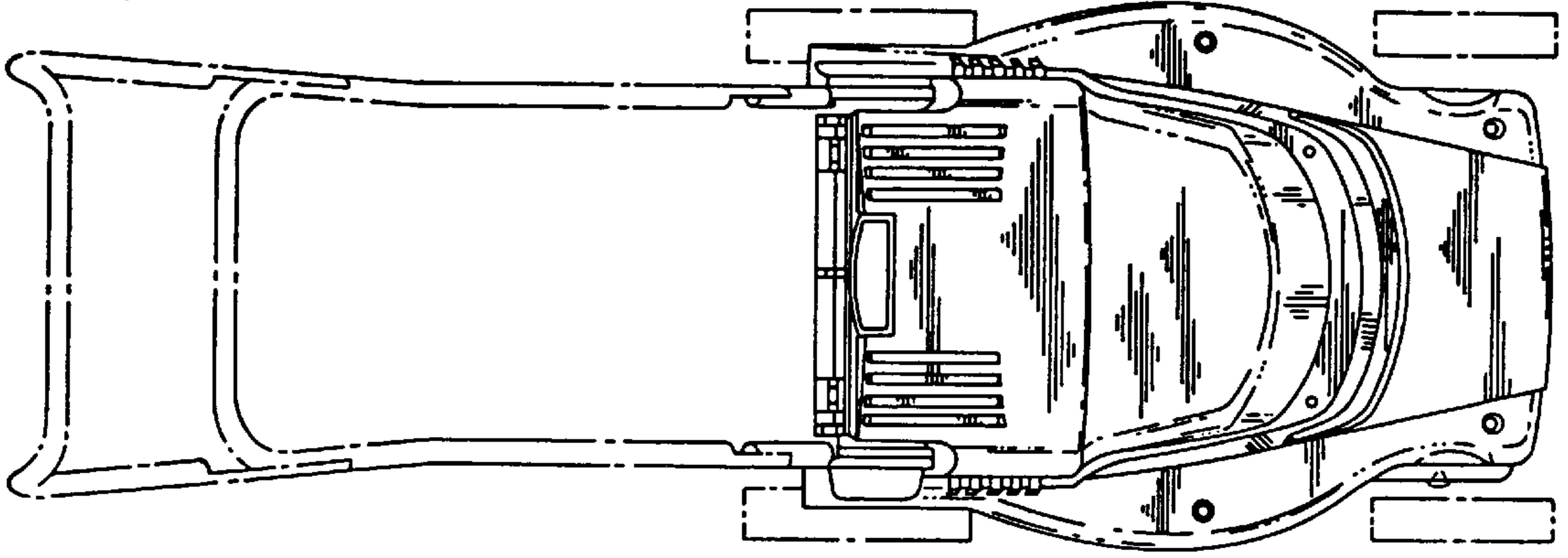


FIG 12

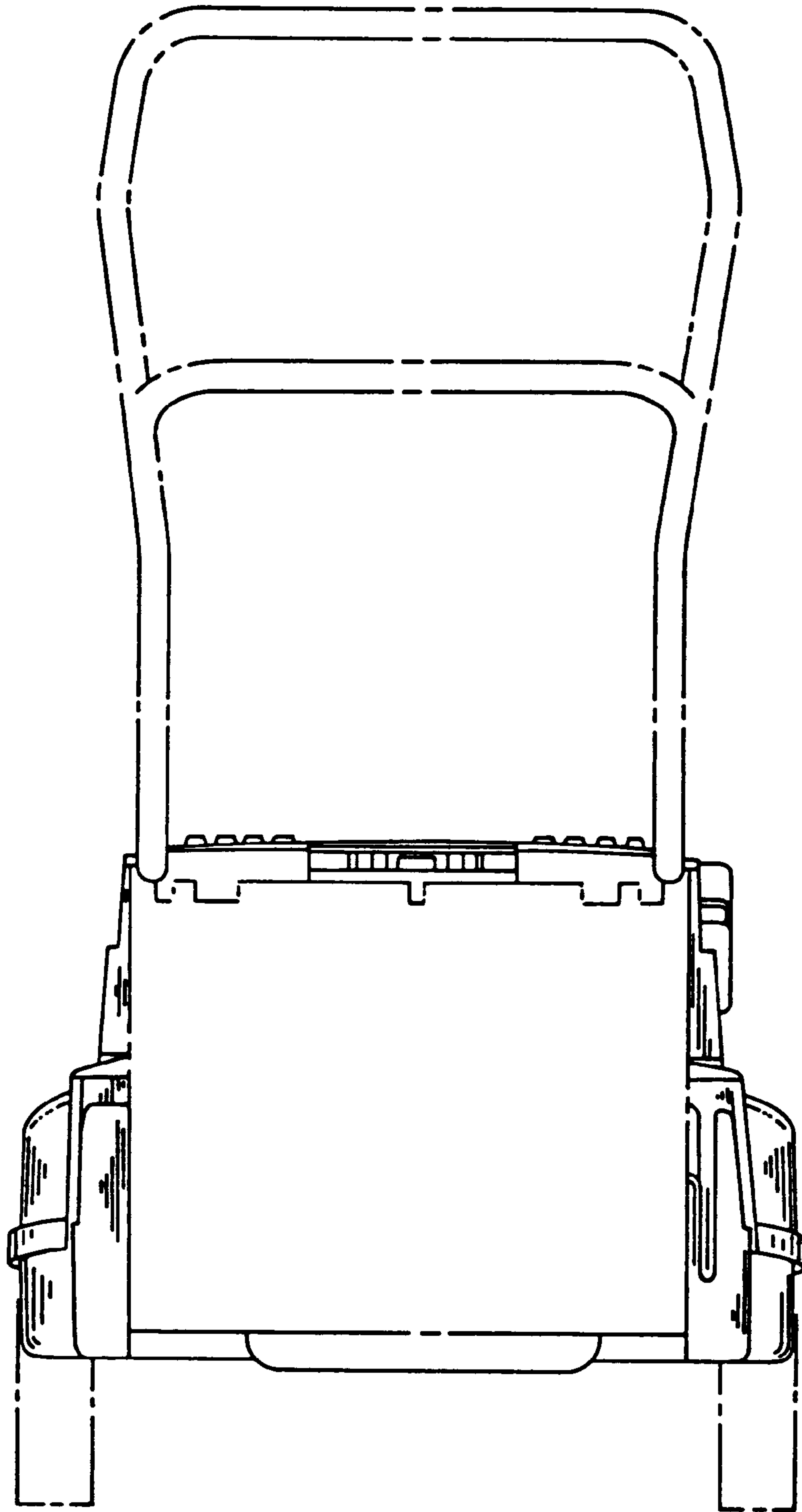


FIG 14

UNITED STATES PATENT AND TRADEMARK OFFICE
CERTIFICATE OF CORRECTION

PATENT NO. : Des 426,836
DATED : June 20, 2000
INVENTOR(S) : Michael G. Sirois et al.

Page 1 of 1

It is certified that error appears in the above-identified patent and that said Letters Patent is hereby corrected as shown below:

Title page,

Item [63], **Related U.S. Application Data,**

Line 1, "July 25, 1995" should be -- July 24, 1995 --.

Line 3, "29/072,102" should be -- 29/027,102 --.

Signed and Sealed this

Twenty-second Day of January, 2002

Attest:



Attesting Officer

JAMES E. ROGAN
Director of the United States Patent and Trademark Office