



US00D426835S

**United States Patent** [19]  
**Tanimura**

[11] **Patent Number: Des. 426,835**

[45] **Date of Patent: \*\* Jun. 20, 2000**

[54] **PROTECTOR FOR AN ELECTRONIC COMPUTER**

5,241,488 8/1993 Chadima, Jr. et al. .... 364/708.1  
5,530,234 6/1996 Loh et al. .... 235/61 R

[75] Inventor: **Yohichi Tanimura**, Nara, Japan

*Primary Examiner*—Kay H. Chin  
*Attorney, Agent, or Firm*—Nixon & Vanderhye

[73] Assignee: **Sharp Kabushiki Kaisha**, Osaka, Japan

[\*\*] Term: **14 Years**

[57] **CLAIM**

[21] Appl. No.: **29/106,691**

The ornamental design for a “protector for an electronic computer,” as shown and described.

[22] Filed: **Jun. 22, 1998**

**DESCRIPTION**

[30] **Foreign Application Priority Data**

Dec. 28, 1997 [JP] Japan ..... 10-38597

FIG. 1 is a top, front and right side perspective view of a protector for an electronic computer according to my design;

[51] **LOC (7) Cl.** ..... **14-02**

FIG. 2 is a top plan view thereof;

[52] **U.S. Cl.** ..... **D14/432; D18/12**

FIG. 3 is a front elevational thereof;

[58] **Field of Search** ..... D18/6, 11, 7, 8-12;  
D14/300, 315, 432; 364/708.1; 235/61 R,  
1 D

FIG. 4 is a right side elevational view thereof, the left side being a mirror image thereof;

FIG. 5 is a bottom plan view thereof; and,

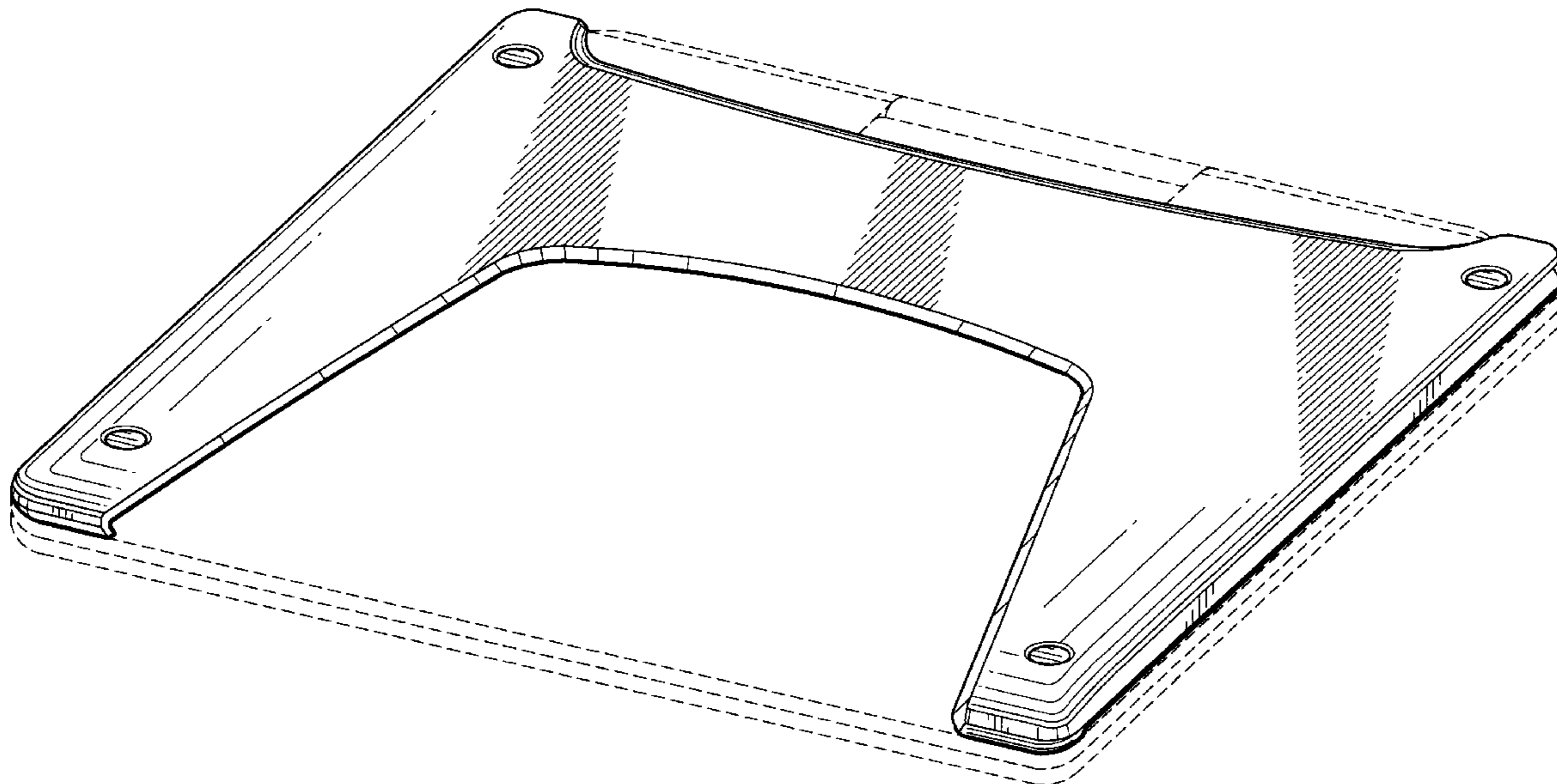
FIG. 6 is a rear elevational view thereof.

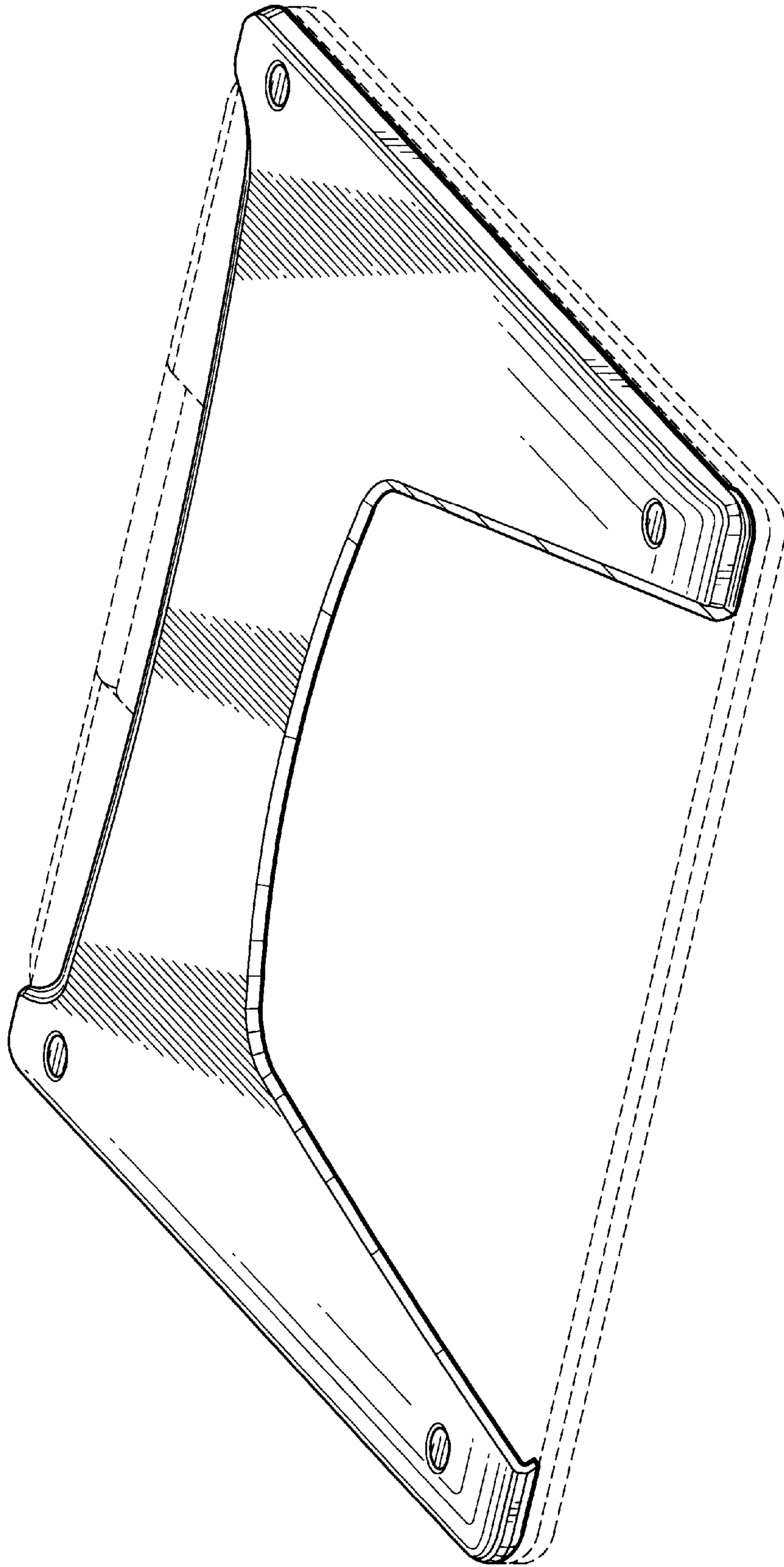
[56] **References Cited**

**U.S. PATENT DOCUMENTS**

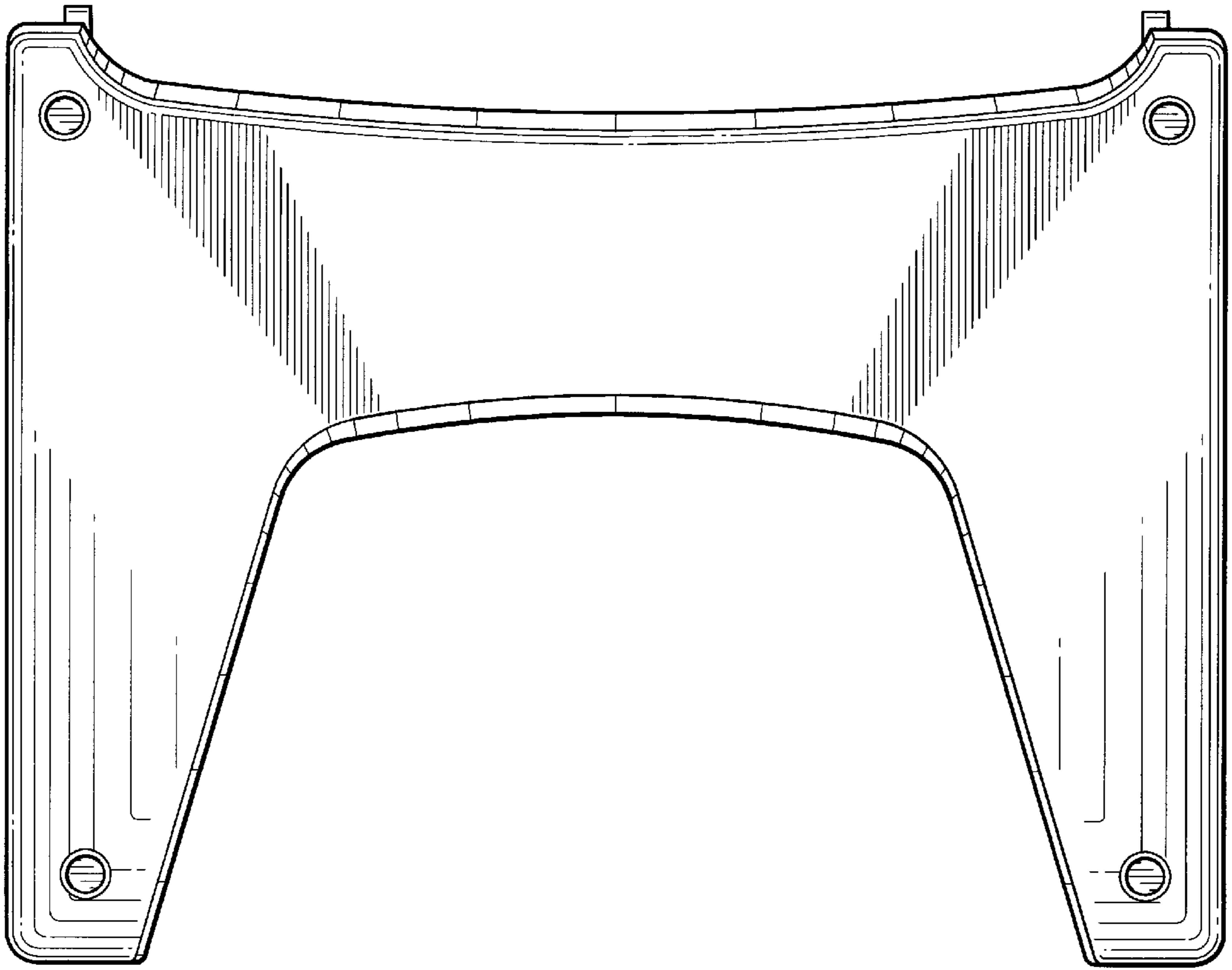
D. 413,316 8/1999 Klinker ..... D14/432

**1 Claim, 3 Drawing Sheets**

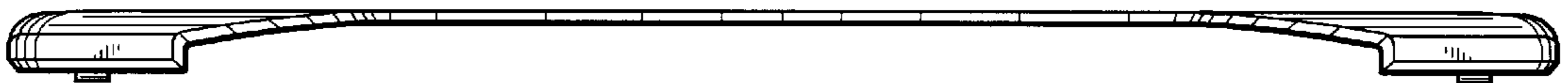




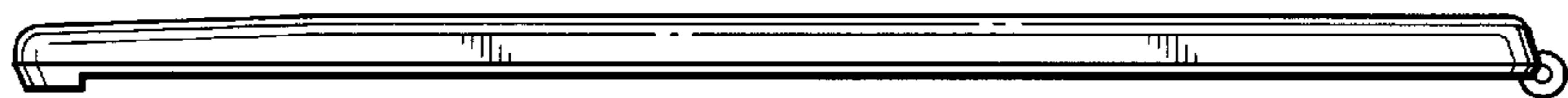
**Fig. 1**



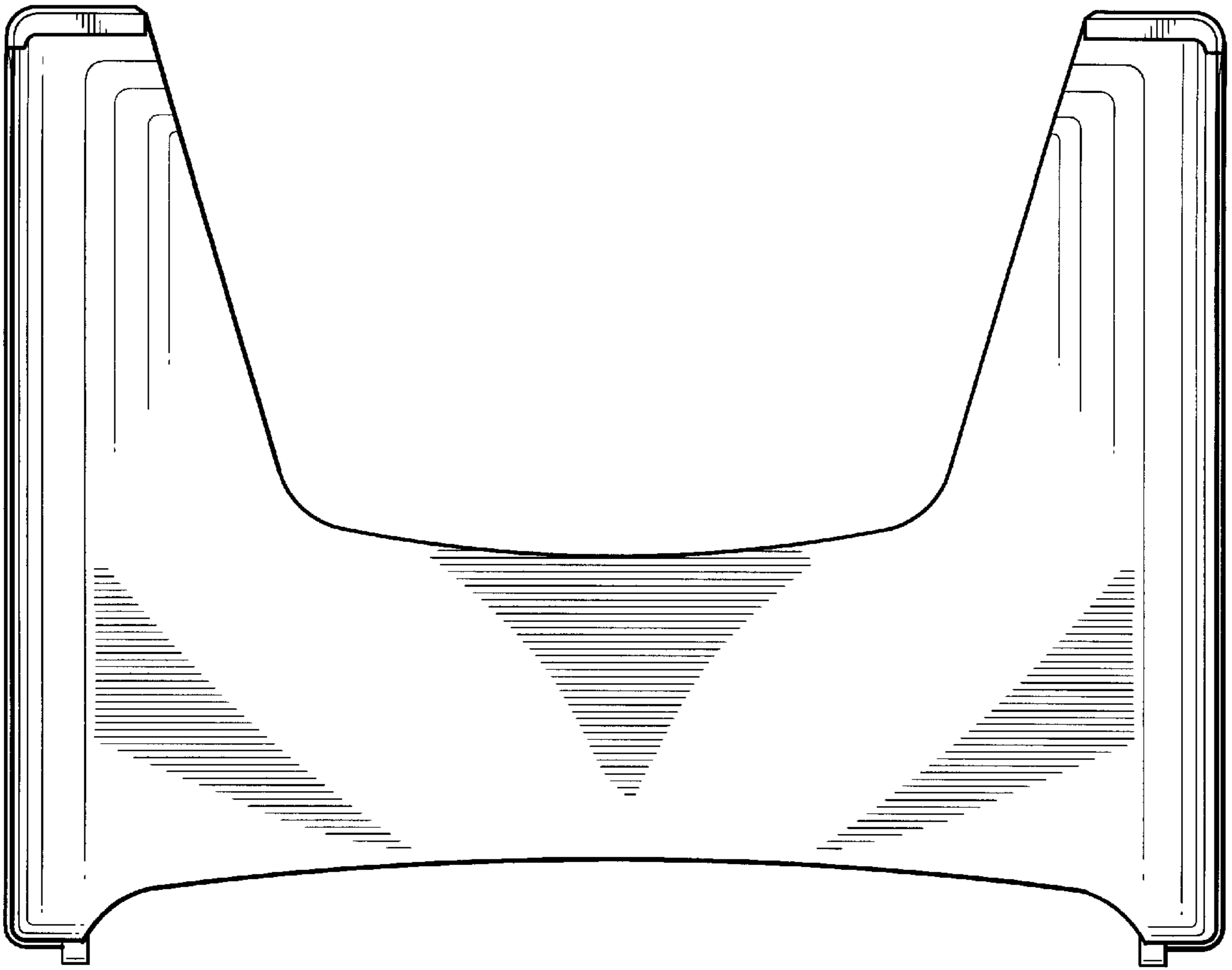
**Fig. 2**



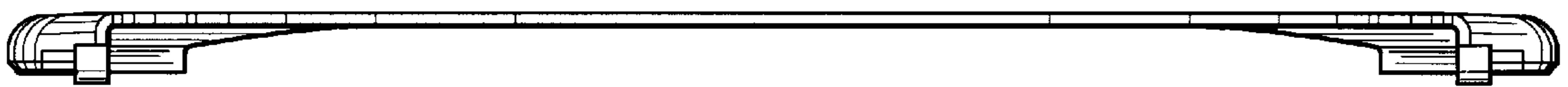
**Fig. 3**



**Fig. 4**



**Fig. 5**



**Fig. 6**

UNITED STATES PATENT AND TRADEMARK OFFICE  
**CERTIFICATE OF CORRECTION**

PATENT NO. : Des. 426,835  
DATED : June 20, 2000  
INVENTOR(S) : Tanimura

Page 1 of 1

It is certified that error appears in the above-identified patent and that said Letters Patent is hereby corrected as shown below:

Title Page,

Item [22], the filed date, "Jun. 22, 1998" should be read as --Jun. 22, 1999--.

Item [30], the priority date, "Dec. 28, 1997" should be read as --Dec. 28, 1998--,  
the priority data, "10-38597" should be read as --10-38567--.

Signed and Sealed this

Tenth Day of July, 2001

Attest:

*Nicholas P. Godici*

Attesting Officer

NICHOLAS P. GODICI  
Acting Director of the United States Patent and Trademark Office