



US00D426823S

United States Patent [19] Miyazaki

[11] Patent Number: **Des. 426,823**

[45] Date of Patent: **** Jun. 20, 2000**

[54] **DISC PLAYER**

5,650,891 7/1997 Thayne et al. 369/77.2 X

[75] Inventor: **Tetsuro Miyazaki**, Tokyo, Japan

OTHER PUBLICATIONS

Sony Catalog "91", pp. 127, 128, and 131, (Mar. 1999).

[73] Assignee: **Sony Corporation**, Japan

Primary Examiner—Nanda Bondade
Attorney, Agent, or Firm—Ronald P. Kananen

[**] Term: **14 Years**

[21] Appl. No.: **29/105,612**

[57] CLAIM

[22] Filed: **May 27, 1999**

The ornamental design for a disc player, as shown and described.

[51] **LOC (7) Cl.** **14-01**

[52] **U.S. Cl.** **D14/156**

[58] **Field of Search** D14/107, 135-136,
D14/156, 160, 162, 164, 168, 197-198,
257, 258; 369/75.1, 75.2, 77.1, 77.2

DESCRIPTION

FIG. 1 is a perspective view of a disc player showing my new design;

FIG. 2 is a top plan view thereof;

FIG. 3 is a bottom plan view thereof;

FIG. 4 is a left side elevational view thereof;

FIG. 5 is a right side elevational view thereof;

FIG. 6 is a front elevational view thereof; and,

FIG. 7 is a rear elevational view thereof.

[56] References Cited

U.S. PATENT DOCUMENTS

D. 371,358	7/1996	Yamagishi et al.	D14/136
D. 383,735	9/1997	Privitera et al.	D14/107
D. 391,957	3/1998	Ito et al.	D14/156
D. 398,922	9/1998	Hisatsune	D14/135

1 Claim, 4 Drawing Sheets

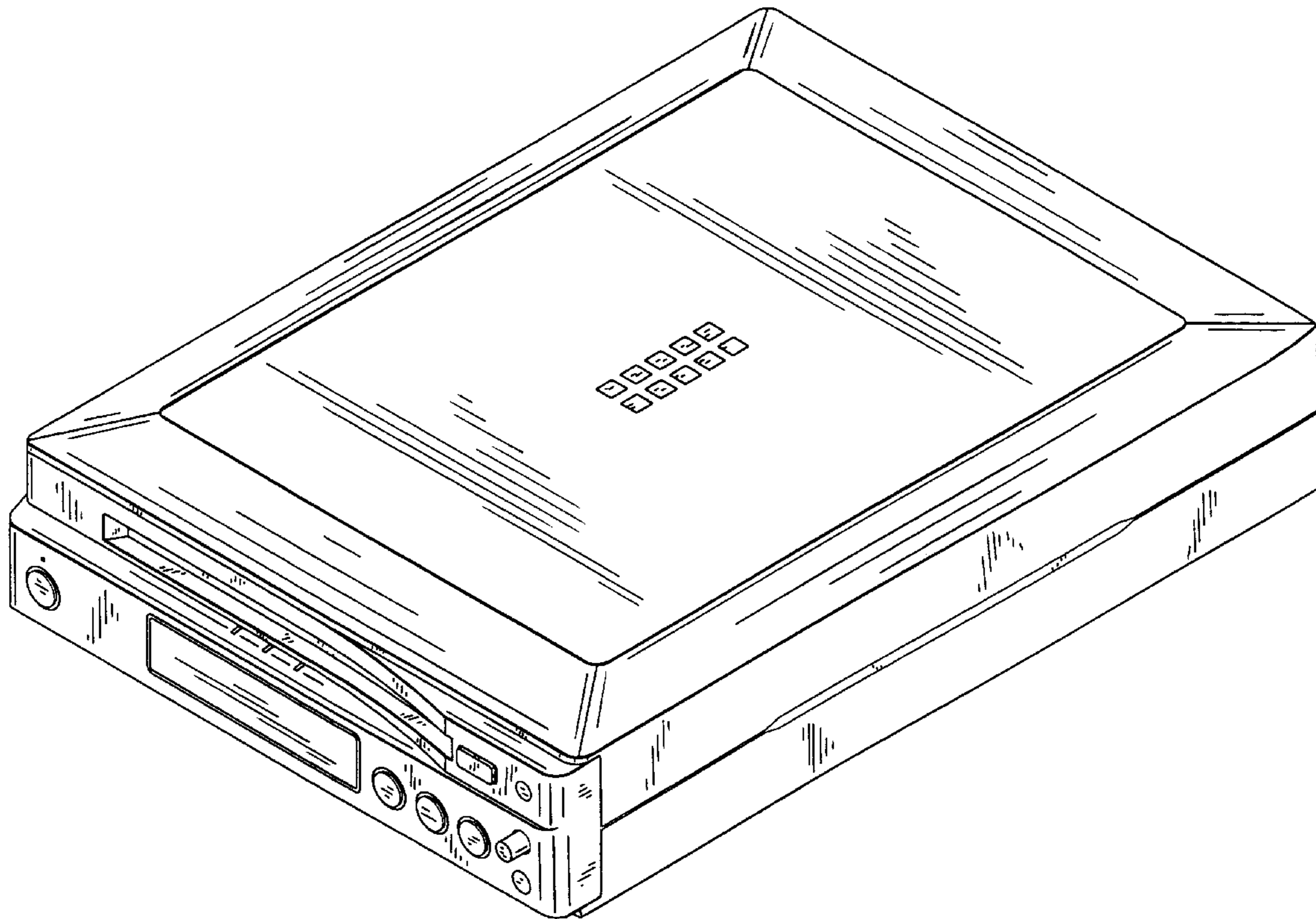


FIG. 1

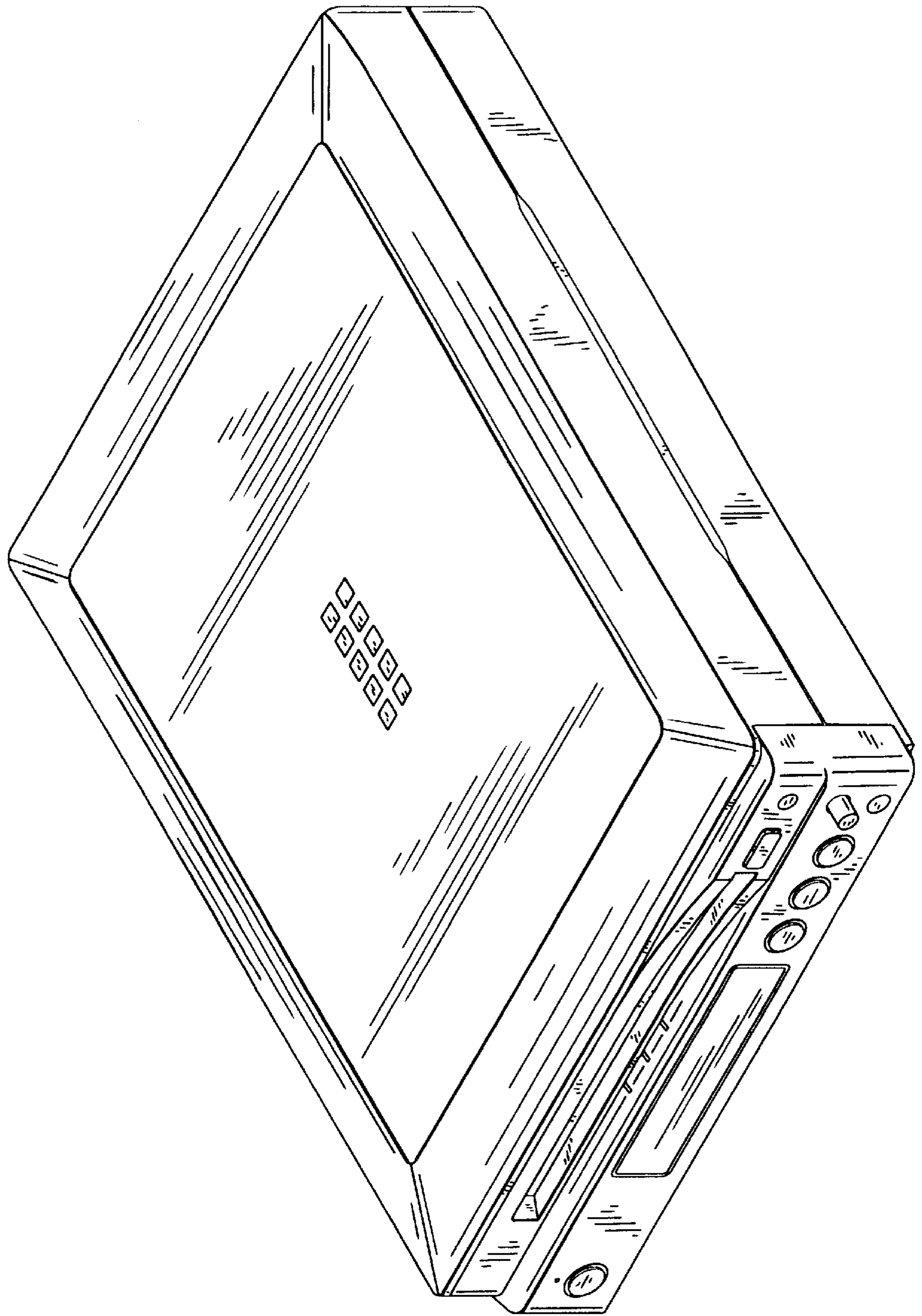


FIG. 3

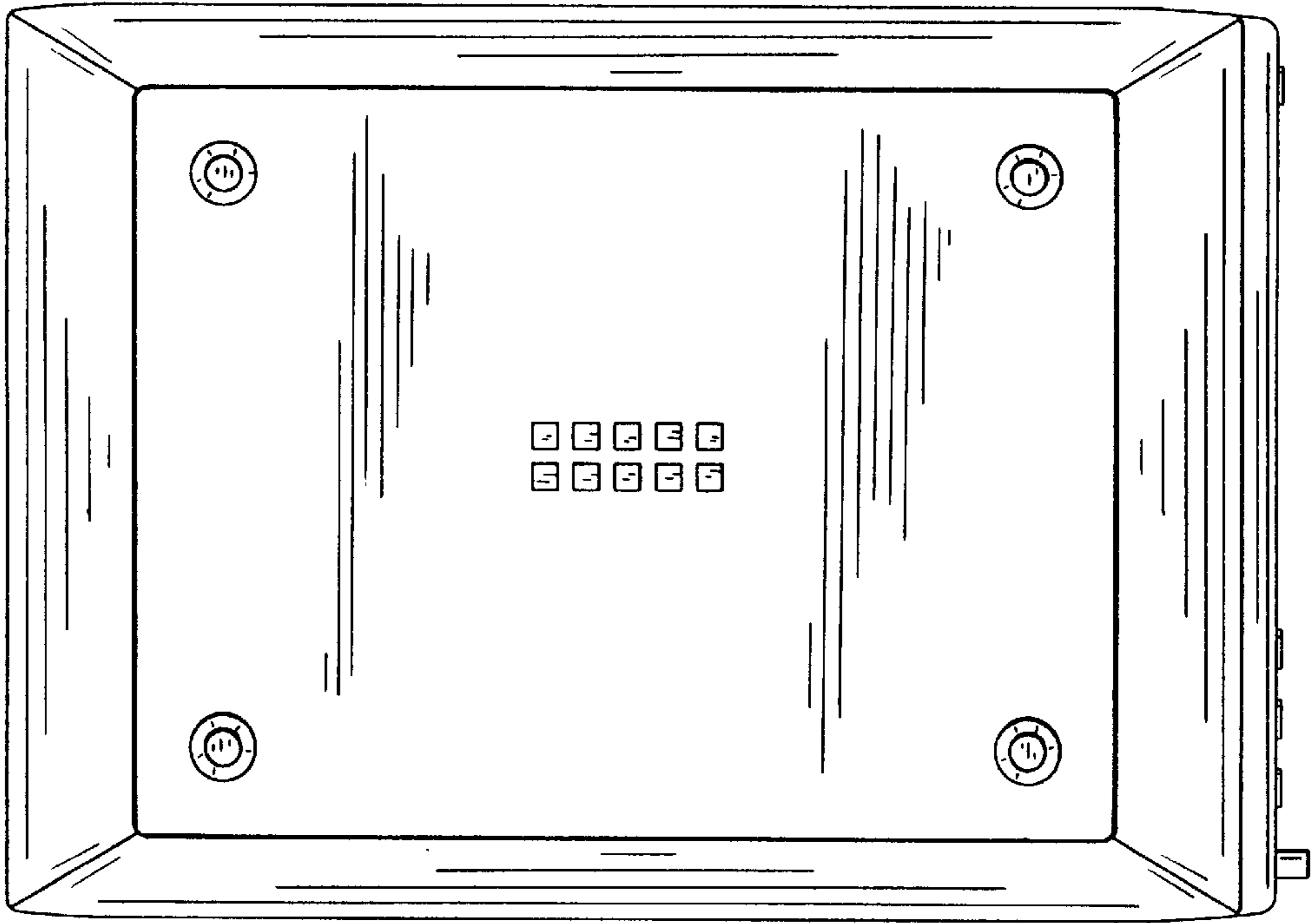


FIG. 2

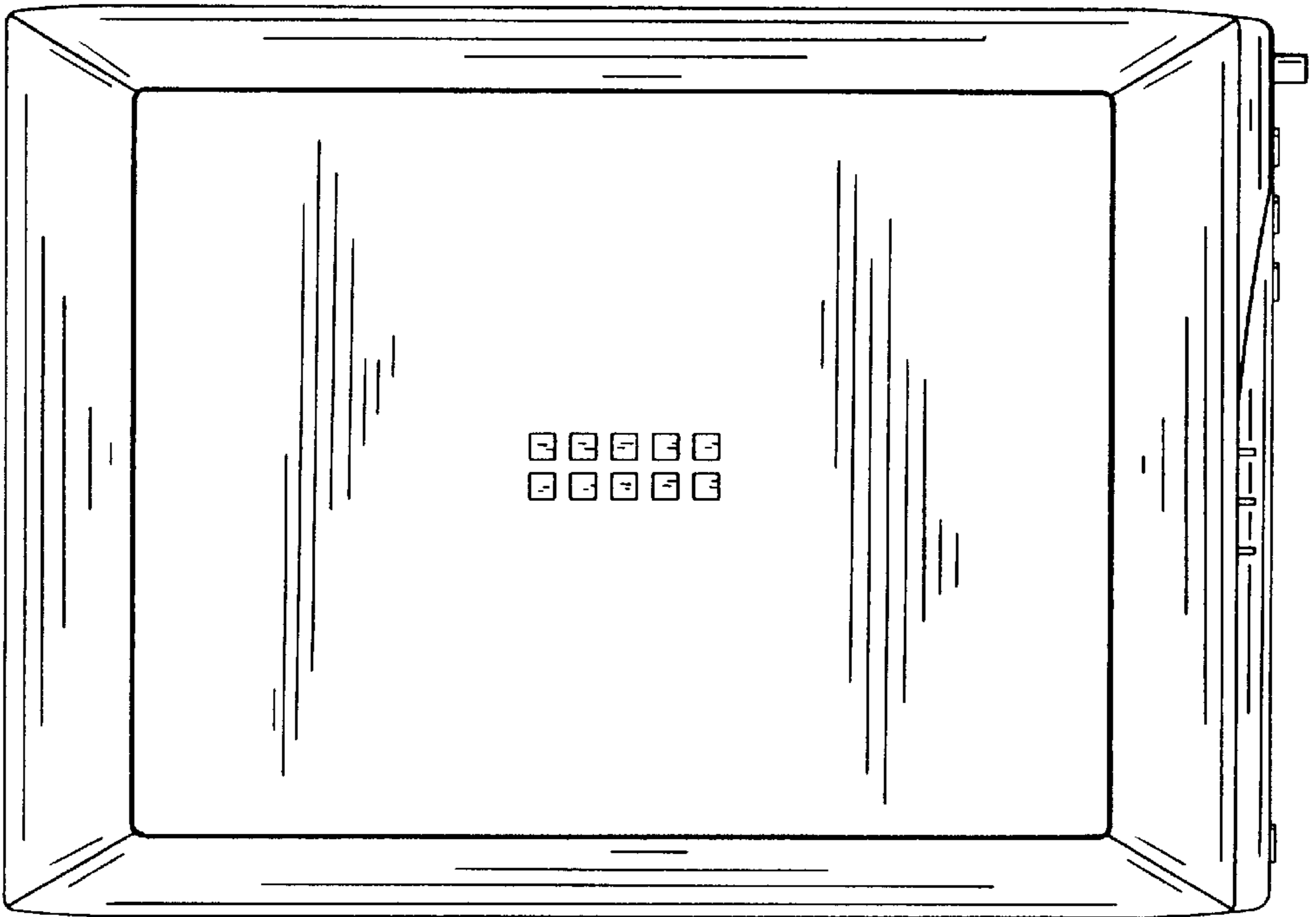


FIG. 4

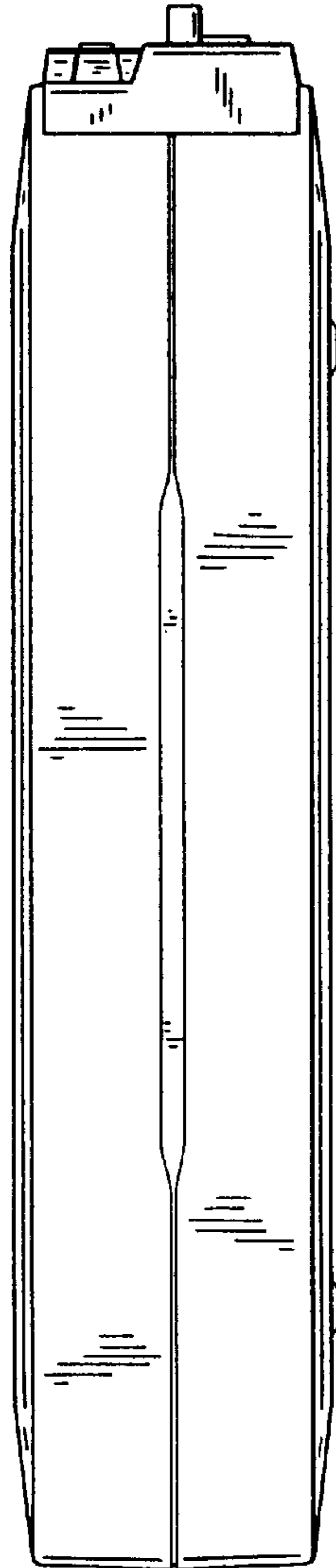


FIG. 5

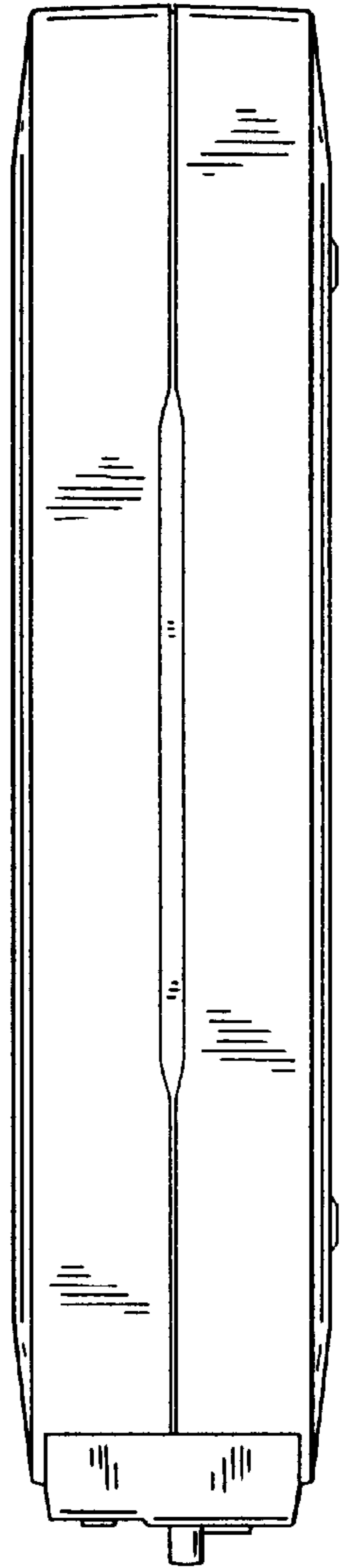


FIG. 6

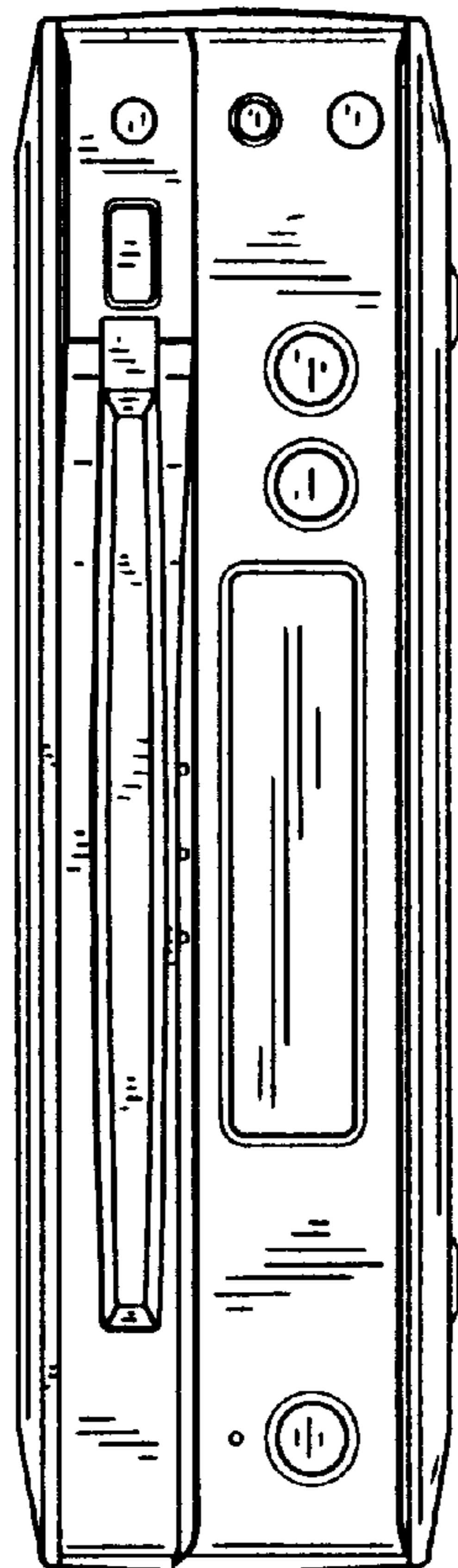


FIG. 7

